



WIRELESS

For: PS3™ | Xbox 360® | Mobile

EARFORCE®
PX51

PREMIUM WIRELESS DOLBY® DIGITAL GAMING HEADSET

User Guide



#1 IN GAMING AUDIO





Congratulations on your purchase of the Ear Force XP510 from Turtle Beach. You now have in your possession a premium product that will bring your gaming experience to a whole new level, heightening your senses, sharpening your reflexes and enhancing your communications. Welcome to excellence!

DOWNLOAD GAME OPTIMIZED PRESETS

[HTTP://WWW.TURTLEBEACH.COM/](http://www.turtlebeach.com/)

Customize your own presets using tools available on our website.



Table of Contents

Package Contents	4
Feature/Function Map (Location of controls/inputs)	5
Setting Up (Connections etc.)	7
Pairing Instructions	8
Using your PX51 Headset on Xbox 360®	9
Using your PX51 Headset on PS3™	11
Bluetooth® Settings	13
Surround Sound Settings	14
Phone Settings	15
Recharging	16
Presets	17
Presets/Specifications	18
Regulatory Compliance	19
Declaration of Conformity	21
European Community Declaration of Conformity	22
Warranty	23

Package Contents



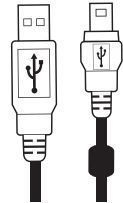
PX51 Headset



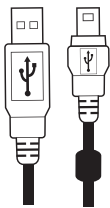
RF Transmitter



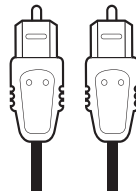
Turtle Beach Sticker



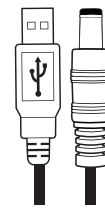
USB Programming Cable



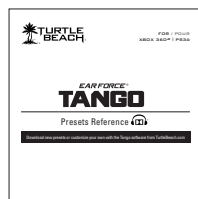
Headset Charging Cable



Digital Optical Cable



USB Power Cable



Presets Reference

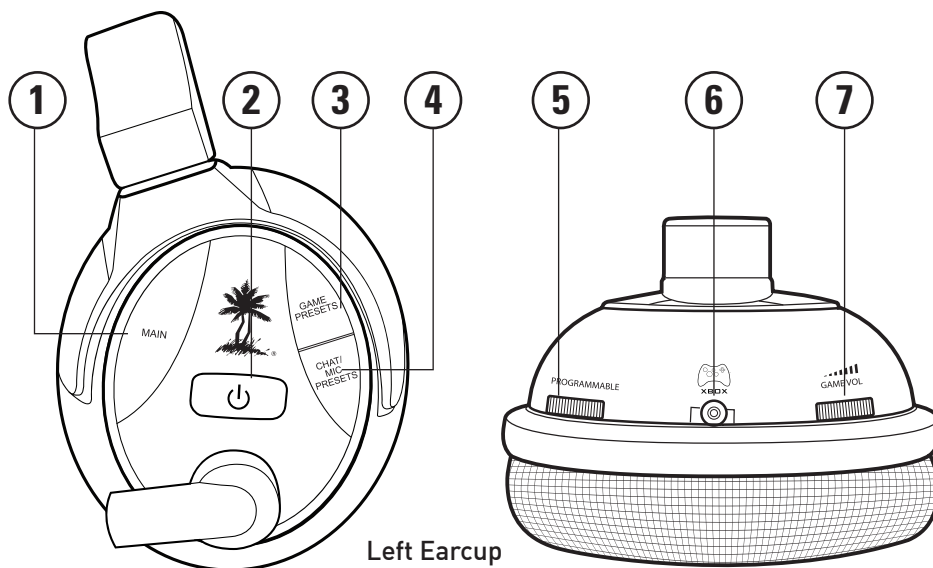


Quick Start Guide

Feature/Function Map (Location of controls/inputs)

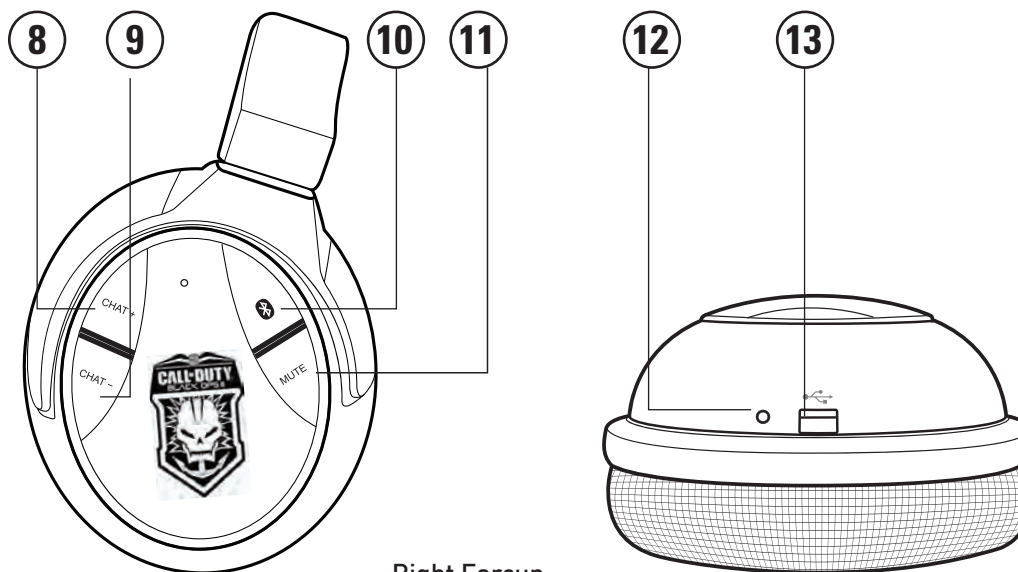
Headset

1. Main
2. Power/Pair
3. Game Presets
4. Chat/Mic. Presets
5. Programmable Control (Mic. Monitor by default)
6. Xbox Talkback Cable Jack
7. Game Volume Control



Left Earcup

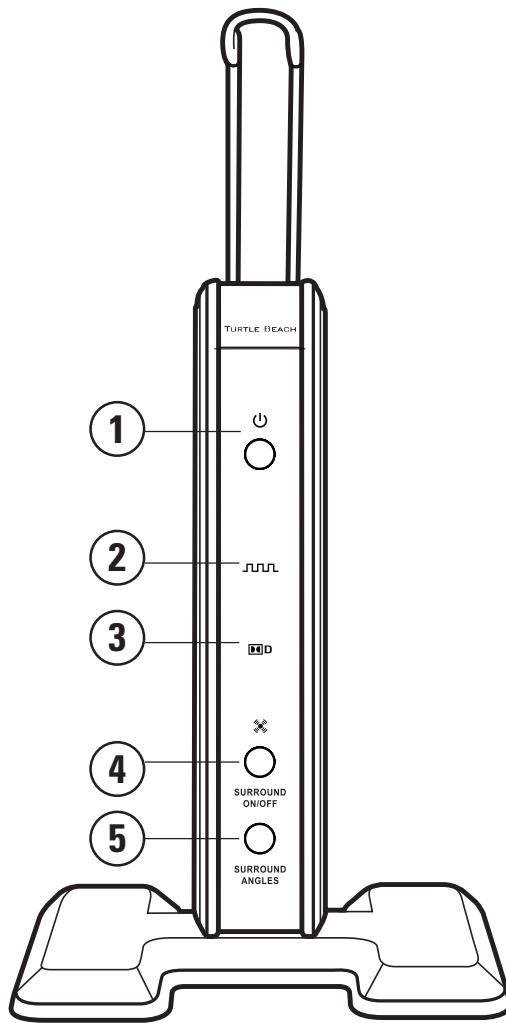
8. Bluetooth Volume Control +
9. Bluetooth Volume Control -
10. Bluetooth Multi Function Button(MFB)/Pair
11. Mic. Mute
12. Charge Status LED
13. USB Jack



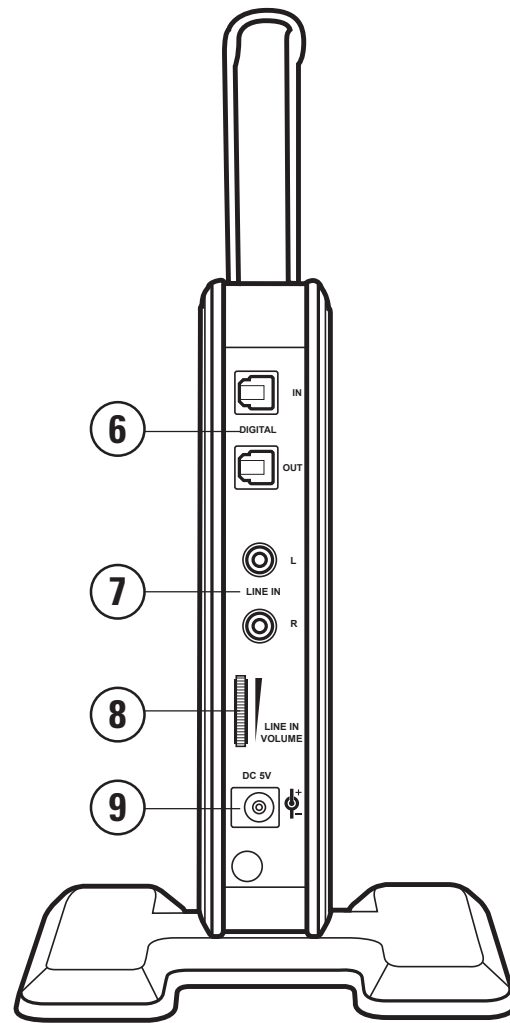
Right Earcup

Feature/Function Map (Location of controls/inputs)

RF Transmitter



1. Power/Pairing LED
2. Digital Input LED
3. Dolby LED
4. SURROUND ON/OFF Button
5. SURROUND ANGLES Button

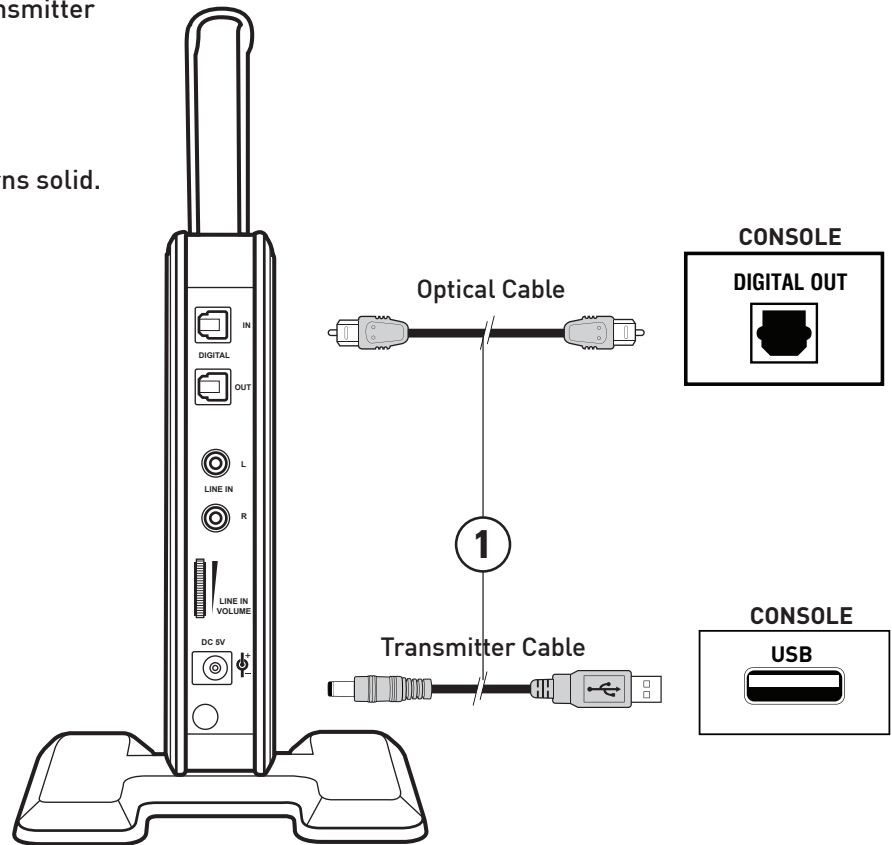


6. DIGITAL IN/OUT Jacks
7. LINE IN (Left/Right) Jacks
8. LINE IN VOLUME Control
9. DC 5v Input

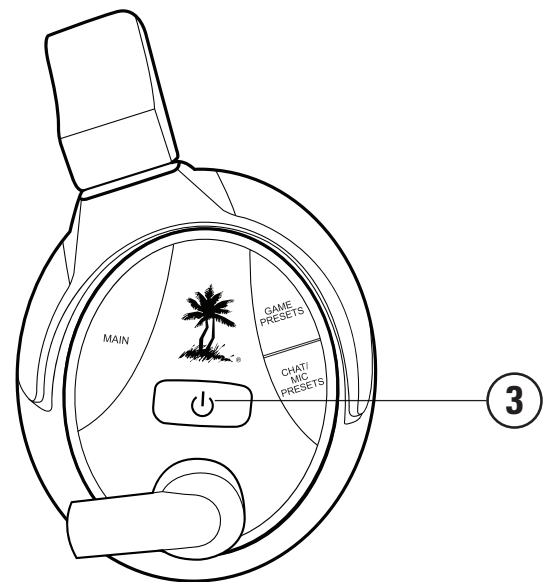
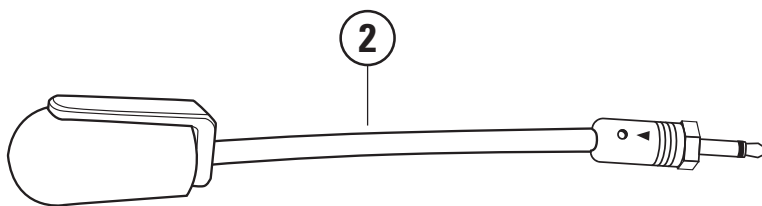
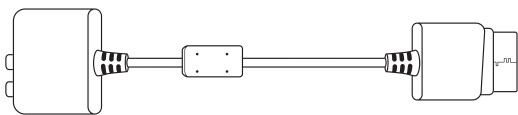
Setting Up (Connections etc.)

RF Transmitter Set Up

1. Connect optical cable (DIGITAL IN)* and transmitter power cable (included) to game console.
2. Insert Microphone Boom.
3. Power headset ON.
 - Press and hold Power button until LED turns solid.
 - Listen for voice prompt.



* Original Xbox 360 models require Xbox 360 HDMI Audio Adapter Cable (sold separately).



Pairing Instructions

Headset and Transmitter

The headset and transmitter are pre-paired out of the box. The instructions below are only necessary if pre-pairing appears to have been lost.*

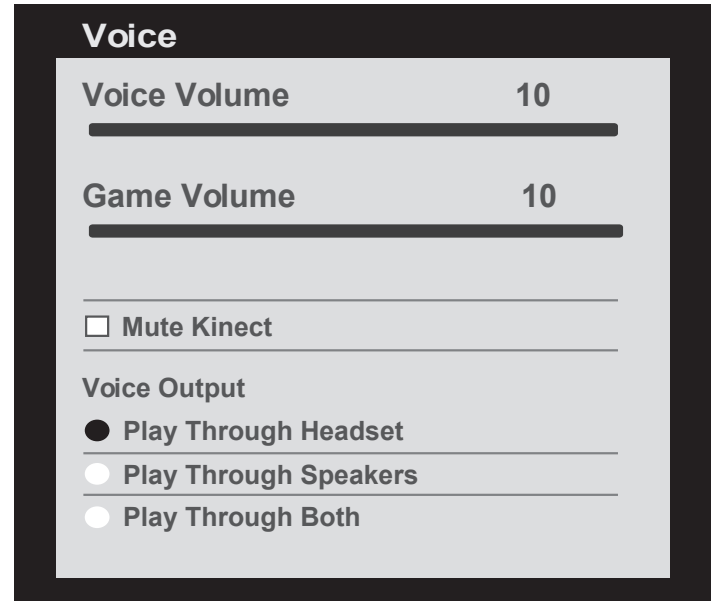
1. Headset should be powered OFF.
2. Press and hold Pairing button on the transmitter for 5 seconds until the LED Flashes rapidly. Release.
3. Press and hold Power button on the headset until the LED flashes rapidly. Release.
4. Once your Turtle Beach PX51 headset has been successfully paired, the Headset LED will blink once per second and the transmitter LED will light solid.



* If pairing is unsuccessful on first attempt, please try again. It may take as many as five attempts to pair successfully.

Using your PX51 Headset on Xbox 360®

Xbox Configuration



1. Go to Xbox Settings

- Choose "System Settings"
- Choose "Console Settings"
- Choose "Audio"
- Choose "Accessory Settings"
- Choose "Audio Device Settings"
- Set "Digital Output" to "Dolby Digital 5.1"

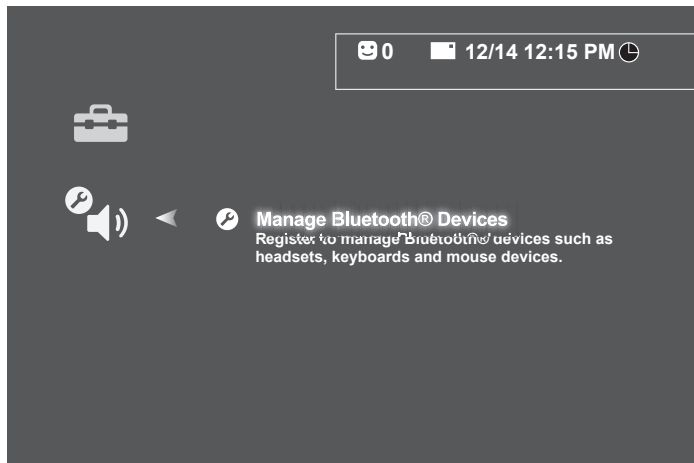
2. Go back to Xbox Settings

- Choose "Preferences"
- Choose "Voice"
- Under "Voice Output," choose "Play Through Headset"

Using your PX51 Headset on PS3™

PS3 Bluetooth Configuration

Your Turtle Beach PX51 headset is designed to work with PS3 game consoles. In order to get ideal functionality from your headset, follow the directions below.



1. Go to PS3 Settings

- Choose "Accessory Settings"
- Choose "Manage Bluetooth Devices"



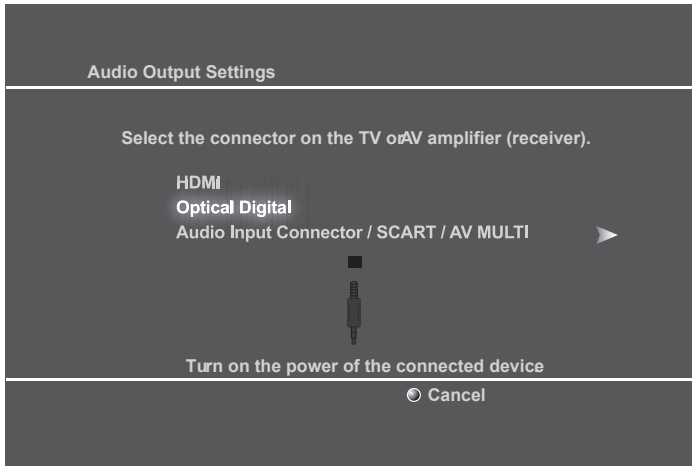
2. Scan for Bluetooth Devices by selecting "Yes"

3. Power PX51 ON:

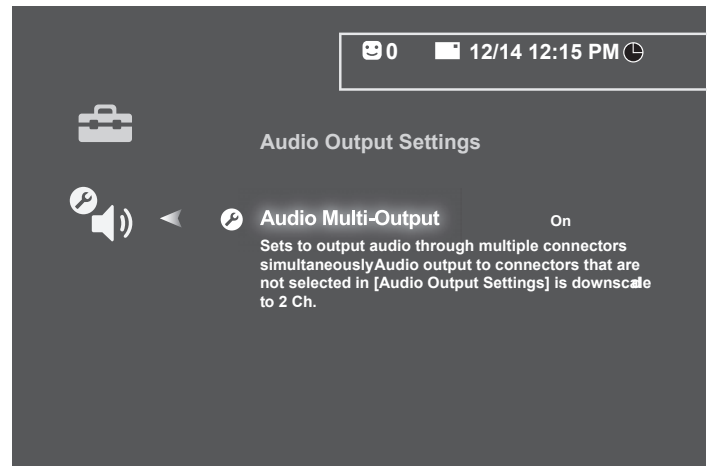
- Press and Hold Bluetooth Button until LED flashes blue and red
- Select "Turtle Beach PX51"
- When prompted for a passcode, enter "0000." LED will flash blue once per second
- You are now paired with PS3 for chat

Using your PX51 Headset on PS3™

PS3 Output Settings

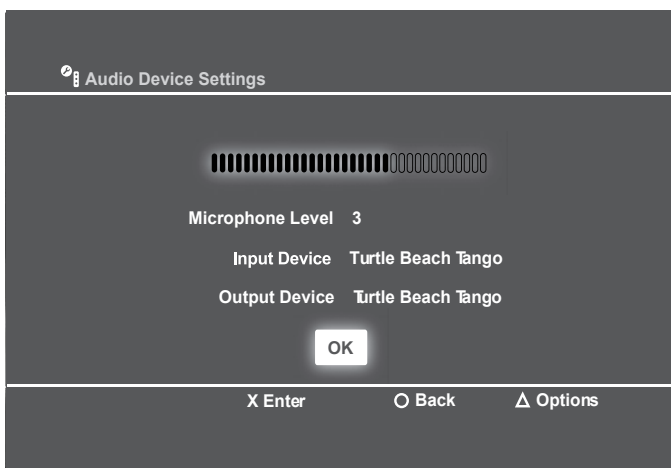


1. Go to Settings
 - Choose "Sound Settings"
 - Choose "Audio Output Settings"
 - Choose "Optical Digital"
 - Choose "Dolby Digital 5.1 Ch."



2. Go to Settings
 - Choose "Sound Settings"
 - Choose "Audio Multi-Output" and set to "On"

PS3 Microphone Settings



1. Go to PS3 Settings
 - Choose "Accessory Settings"
 - Choose "Input/Output Device"
 - Choose "Turtle Beach PX51"

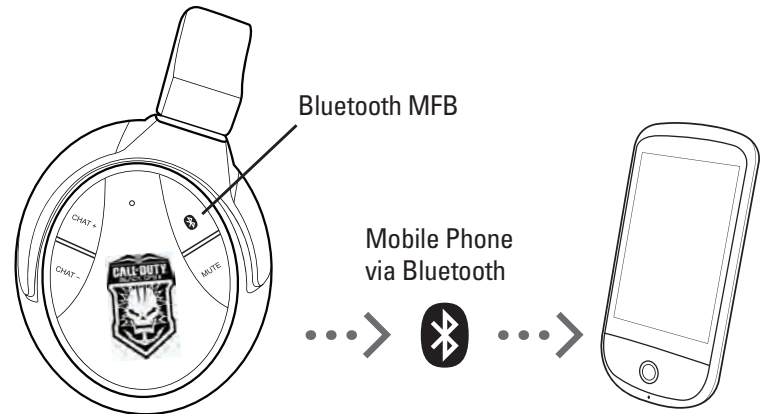


2. Adjust microphone volume level
 - Adjust PSN chat volume using Bluetooth Volume buttons on the right ear cup

Bluetooth® Settings

Pairing (Bluetooth) with a phone

1. Turn Headset ON.
2. Press and hold Bluetooth MFB Button until LED flashes Blue and Red.
3. Set mobile phone to Bluetooth search mode.*
4. Choose "Turtle Beach PX51."
5. When prompted for a passcode, enter "0000."



Dual Bluetooth Pairing

Turtle Beach PX51 headphones can pair with two devices at once. This feature allows for on-line chat with other gamers and the ability to instantly switch to phone calls. After your PX51 Headset is already paired with one device (Xbox or PS3), follow the instructions below for dual Bluetooth pairing.

1. Turn off PX51 Bluetooth by holding BT MFB for 4 seconds.
2. Press and hold Bluetooth Button until LED flashes Blue and Red.
3. Set device to Bluetooth search mode.*
4. Choose "Turtle Beach PX51."
5. When prompted for a passcode, enter "0000."

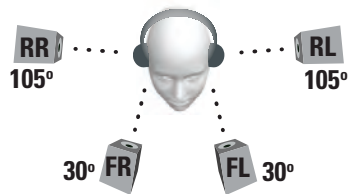
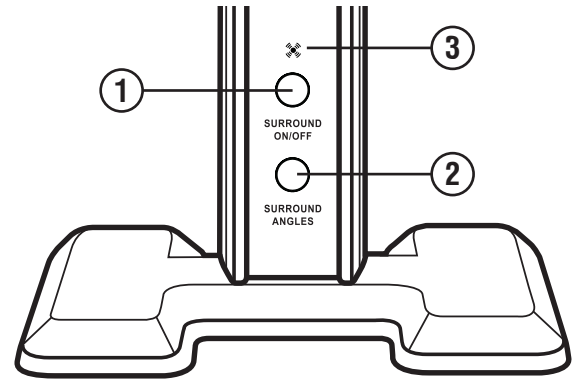
* If pairing is unsuccessful on first attempt, please try again. It may take as many as five attempts to pair successfully.

Surround Sound Settings

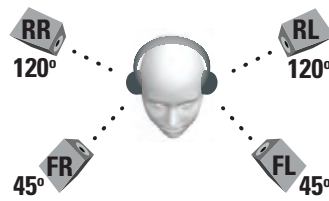
Surround Sound Set Up

Turtle Beach PX51 headsets have a surround sound feature bringing additional realism to your gaming experience.

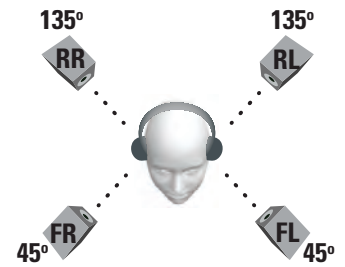
1. Press SURROUND ON/OFF to turn ON the surround sound function.
2. Press the SURROUND ANGLES button on the transmitter to scroll through six (6) different presets.
3. The LED will blink in sequence to indicate which preset was selected.



① Front Angle; 30 degrees
Rear Angle; 105 degrees



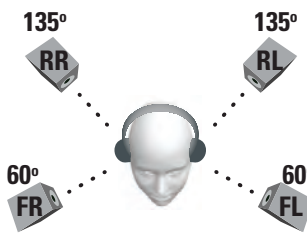
② Front Angle; 45 degrees
Rear Angle; 120 degrees



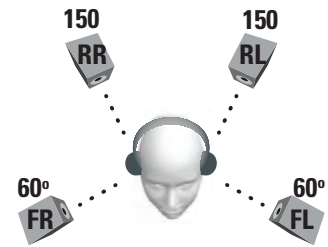
③ Front Angle; 45 degrees
Rear Angle; 135 degrees



④ Front Angle; 60 degrees
Rear Angle; 120 degrees



⑤ Front Angle; 60 degrees
Rear Angle; 135 degrees



⑥ Front Angle; 60 degrees
Rear Angle; 150 degrees

Phone Settings

When your PX51 headset is paired with your cell phone, you can make and receive calls. It can also be used with voice dialing if your phone has a voice dialing function:

Making Calls

1. To make voice-dialed calls, press and hold the BT MFB button for three (3) seconds until you hear a tone. Release the button and the voice recognition function on your phone will be activated. Speak the name of the person you wish to call. To de-activate the voice dialing function, press and hold the BT MFB button again for three (3) seconds and release.
2. To make dialed calls, use the number keys on your phone to dial the number. When the call connects, it will automatically be heard through the headset.
3. To redial, press the BT MFB button twice to hear two tones through the headset. The last number dialed will be dialed again.
4. To speak off-line while using the phone function, press the MUTE button. While the microphone is muted, a tone will sound every 30 seconds. To de-activate the mute function, press the MUTE button again.

Note: If your phone does not have a redial feature, double clicking on the BT MFB button will initiate the voice dialing function instead. If your phone has neither the redial nor voice dial functions, a double click on the BT MFB button will have no effect.

Receiving Calls

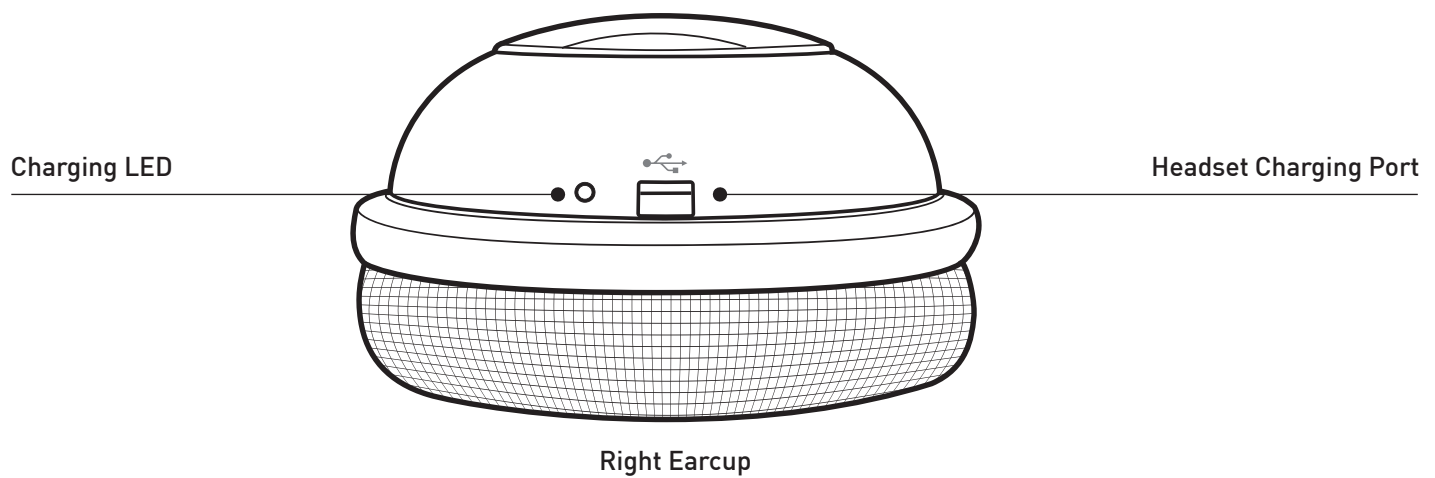
You will hear a musical chime when there is an incoming call. Follow the instructions below to answer a call.

1. When receiving calls, a phone ring will sound through the headset. Press the BT MFB button to answer the call.
2. To reject an incoming call, press and hold the BT MFB button for three (3) seconds until you hear a beep. The call will go to voicemail.
3. You can also ignore the incoming call ring until it stops. This call will also go to voicemail.

Recharging

Headset Recharging

Turtle Beach PX51 headsets feature a rechargeable battery enabling continuous gaming for up to ten (10) hours. When the headset battery charge is low, a tone will sound every ten (10) seconds. The headset can be charged without interrupting game-play using the included Headset Charging Cable.



Charging cycle: 6 hours.

The headset will always remain powered on while charging. The LED on the headset will remain a solid RED until the headset is fully charged, at which point the LED will turn off.

NOTE: The Headset Charging Cable is for charging purposes only. Use the USB Programming Cable for uploading presets.

Presets

Your PX51 headset features several built-in presets for enhanced gaming and voice effects. See the accompanying brochure presets for more information.

Navigating through Presets

1. Press the Main button to access Main presets.
2. Press Game to advance through Game Presets.
3. Press Chat button to advance through Chat Presets.
4. Listen for a voice prompt.
5. Stop scrolling after finding preferred preset.

Choose from the following Presets:



Game Presets

Main: Incorporates Dolby® surround sound processing for an immersive audio experience.

1. Flat: Hear stereo game sound without effects processing or Dolby Surround Sound.
2. Bass Boost: Hear and feel the rumble of deeper bass sound effects.
3. Treble Boost: Boost high frequencies for crisper sounds and greater clarity.
4. Bass Boost + Treble Boost: Rumbling lows and pristine highs come through clearly.
5. Stereo Expander: Stereo processing with a 3D effect that allows you to focus on subtle audio cues.
6. Action Enhancer: Amplify intense sounds from weapons and explosions.
7. Footstep Focus: Focus on the sound of enemy footsteps approaching.
8. Superhuman Hearing: Boosts low volume sounds.



Chat Presets

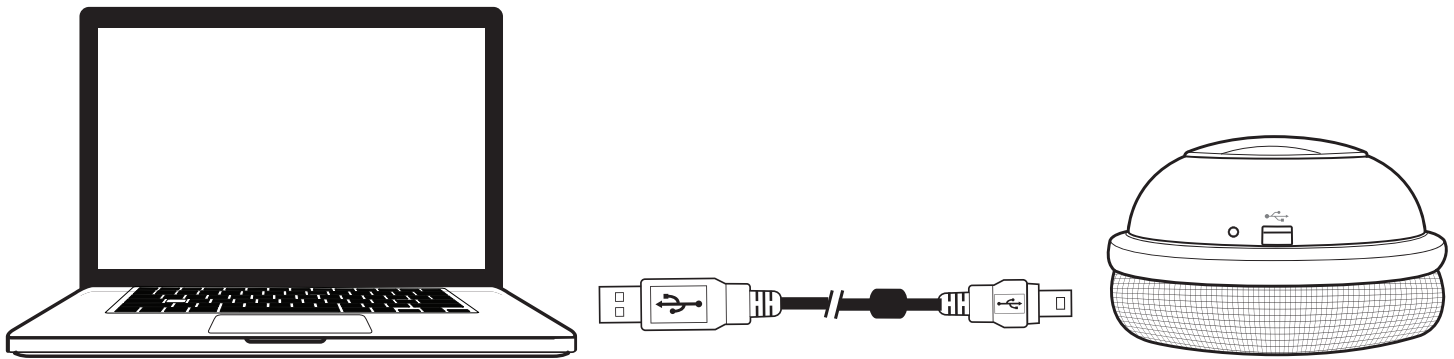
Main: Chat Boost automatically increases the online chat levels during intense gaming sequences, so communication from teammates isn't drowned out.

1. Flat: Straight chat with no processing.
2. Chat Focus: Boosts mid-range frequencies for greater concentration on chat.
3. Chat Expander: Widens the virtual sound field of chat.
4. Voice Amp: Amplifies chat volume.
5. Hi-Pitch Morph: Morph your voice into a high-pitch tone.
6. Lo-Pitch Morph: Bring your voice to demonic depths.
7. Robot: Transform your voice into a metallic sound.
8. Max Chat: Combines presets in an enhanced chat package.

Presets/Specifications

Custom Presets

Plug your PX51 headset into your computer to load custom presets available on our website: www.TurtleBeach.com/presets. Refer to the "Advance Editor Sound Guide" for detailed instructions.



Specifications

- Audio Connection: Digital Optical
- Headset Power: Rechargeable Battery
- Transmitter Power: USB
- Headset Connection: 2.4/5 GHz
- Dual-Band Wifi Wireless



Regulatory Compliance

Federal Communications Commission (FCC) Compliance Notices

This section includes the following FCC statements for the EAR FORCE PX51 RX & TX Models:

- FCC ID: XGB-TB2290 & XGB-TB2291
- Class B Interference Statement
- RF Radiation Exposure & Hazard Warning
- Non-Modification Statement
- Deployment Statement

Class B Interference Statement

This equipment has been tested and found to comply with the limits for a Class B digital device, pursuant to Part 15 of the FCC Rules. These limits are designed to provide reasonable protection against harmful interference in a residential installation. This equipment generates, uses, and can radiate radio frequency energy and, if not installed and used in accordance with the instructions, may cause harmful interference to radio communications. However, there is no guarantee that interference will not occur in a particular installation. If this equipment does cause harmful interference to radio or television reception, which can be determined by turning the equipment off and on, the user is encouraged to try to correct the interference by one or more of the following measures:

- Reorient or relocate the receiving antenna.
- Increase the separation between the equipment and receiver.
- Connect the equipment into an outlet on a circuit different from that to which the receiver is connected.
- Consult the dealer or an experienced radio/TV technician for help.

FCC Caution:

This device complies with Part 15 of the FCC Rules. Operation is subject to the following two conditions: (1) This device may not cause harmful interference, and (2) this device must accept any interference received, including interference that may cause undesired operation.

RF Radiation Exposure & Hazard Statement

To ensure compliance with FCC RF exposure requirements, this device must be installed in a location such that the antenna of the device will be greater than 20 cm (8 in.) from all persons. Using higher gain antennas and types of antennas not covered under the FCC certification of this product is not allowed. Installers of the radio and end users of the product must adhere to the installation instructions provided in this manual. This transmitter must not be co-located or operated in conjunction with any other antenna or transmitter.

Non-Modification Statement

Use only the supplied internal antenna. Unauthorized antennas, modifications, or attachments could damage the EAR FORCE PX51 RX & TX Models and violate FCC regulations. Any changes or modifications not expressly approved by the party responsible for compliance could void the user's authority to operate this equipment. Please contact Turtle Beach for a list of approved 2.4 GHz and 5.0 GHz antennas.

Deployment Statement

This product is certified for indoor deployment only in the 5150 – 5250 MHz band. Do not install or use this product outdoors in that frequency band in the United States.

Regulatory Compliance

Canadian ICES Statements

IC: 3879A- TB2290 & 3879A- TB2291

This device complies with ICES-003 and RSS-210 of Industry Canada.

Operation is subject to the following two conditions:

1. This device may not cause interference, and
2. This device must accept any interference, including interference that may cause undesired operation of the device.

Ce dispositif est conforme aux normes NMB003 et CNR-210 d'Industrie Canada.

1. L'utilisation de ce dispositif est autorisée seulement aux conditions suivantes :
2. il ne doit pas produire de brouillage et l'utilisateur du dispositif doit être prêt à accepter tout brouillage radioélectrique reçu, même si ce brouillage est susceptible de compromettre le fonctionnement du dispositif.

To prevent radio interference to the licensed service (i.e. co-channel Mobile Satellite systems) this device is intended to be operated indoors and away from windows to provide maximum shielding. Equipment (or its transmit antenna) that is installed outdoors is subject to licensing and not supported by EAR FORCE PX51 RX & TX Models.

RF Radiation Exposure & Hazard Statement

To ensure compliance with RSS-102 RF exposure requirements, this device must be installed in a location such that the antenna of the device will be greater than 20 cm (8 in.) away from all persons. Using higher gain antennas and types of antennas not covered under the IC certification of this product is not allowed. Installers of the radio and end users of the product must adhere to the installation instructions provided in this manual. This transmitter must not be co-located or operated in conjunction with any other antenna or transmitter.

Exposition aux radiations RF & Mention de danger

Pour assurer la conformité avec les exigences RSS-102 d'exposition aux RF (Radio Fréquences), cet appareil doit être installé dans un endroit où l'antenne de l'appareil sera située à une distance de plus de 20 cm (8 po) de toutes personnes. L'utilisation d'antennes à gain plus élevé et les types d'antennes qui ne sont pas couverts en vertu de la certification IC de ce produit n'est pas autorisée. Les installateurs de la radio et les utilisateurs du produit final doivent se conformer aux instructions d'installation fournies dans ce manuel. Cet émetteur ne doit pas être co-implanté ou exploité en conjonction avec toute autre antenne ou transmetteur.

Deployment Statement

This product is certified for indoor deployment only in the 5150 – 5250 MHz band. Do not install or use this product outdoors in that frequency band in Canada.

Déclaration de déploiement



Ce produit est certifié pour le déploiement à l'intérieur tout en rencontrant les limites de cette bande de fréquences: 5150 - 5250 MHz. Ne pas installer ou utiliser ce produit à l'extérieur au Canada, si cette bande de fréquences ne peut être rencontrée.

European Union and European Fair Trade Association Regulatory Compliance

This equipment may be operated in the countries that comprise the member countries of the European Union and the European Fair Trade Association. These countries, listed below, are referred to as The European Community throughout this document: AUSTRIA, BELGIUM, BULGARIA, CYPRUS, CZECH REPUBLIC, DENMARK, ESTONIA, FINLAND, FRANCE,, GERMANY, GREECE, HUNGARY, IRELAND, ITALY, LATVIA, LITHUANIA, LUXEMBOURG, MALTA, NETHERLANDS, POLAND, PORTUGAL, ROMANIA, SLOVAKIA, SLOVENIA, SPAIN, SWEDEN, UNITED KINGDOM, ICELAND, LICHTENSTEIN, NORWAY, SWITZERLAND.

The EAR FORCE PX51 RX & TX devices communicate with each other to provide wireless local area networking (WLAN) capabilities. Additionally, the EAR FORCE PX51 RX device has a BT radio transceiver for communicating with users over the internet connection provided in the host platform. The EAR FORCE PX51 TX Model includes one 802.11a and one 802.11b/g radio with one 802.11a and one 802.11b/g omni-directional internal antennas, respectively. The EAR FORCE PX51 RX Model includes one 802.11a, one 802.11b/g radio and one 2.4 GHz BT radio with one 802.11a, one 802.11b/g and one 2.4 GHz BT omni-directional internal antennas, respectively.

Declaration of Conformity

Marking by this symbol:   

indicates compliance with the Essential Requirements of the R&TTE Directive of the European Union (1999/5/EC). This equipment meets the following conformance standards:

Safety: EN 60950-1: 2006 + A11 (GS License)

Also Licensed for Standards: IEC 60950-1:2005, (CB Scheme Report/Certificate), UL60950-1 (NRTL License), CSA22.2, 60950-1 (SCC License)

Additional licenses issued for specific countries available on request.

EMC: EN 55022: 2006, EN 55024: 1998 + A1:2001 + A2: 2003, EN 301 489-1 v1.8.1 (2008-04), EN 301 489-17 v2.1.1 (2009-05), CISPR22: 2005, CISPR24

Including EN 61000-3-2, -3-3, -4-2, -4-3, -4-4, -4-5, -4-6 and -4-11

The products are licensed, as required, for additional country specific standards for the International Marketplace. Additional issued licenses available upon request.

Radio: EN 300328 v.1.7.1 (2006-10) & EN 301 893 v.1.5.1 (2008-12)

Electromagnetic compatibility and Radio spectrum Matters (ERM); Wideband transmission systems; Data transmission equipment operating in the 2,4 GHz ISM band and using wide band modulation techniques and Broadband Radio Access Networks (BRAN); 5 GHz high performance RLAN. Certifications are harmonized to the EN standards covering essential requirements under article 3.2 of the R&TTE Directive. Compliance includes testing with antennas as specified in attached table.

SAR: EN 62311: 2008

Environmental: Low Voltage Directive 2006/95/EC,
RoHS 2002/95/EC
WEEE 2002/96/EC

European Community Declaration of Conformity

Bulgaria	български	С това, nortel обявява, че този модел на радио на Product A, е със съгласие с съществените изисквания и други важни условия на директива 1999/5 на европейски съюз
Czech Republic	Česky	Norteltýmto prohlašuje, že tento Product A, je ve shodě se základními požadavky a dalšími příslušnými ustanoveními směrnice 1999/5/ES.
Denmark	Dansk	Undertegnede Nortel erklærer herved, at følgende udstyr Product A, overholder de væsentlige krav og øvrige relevante krav i direktiv 1999/5/EF.
English	English	Hereby, Nortel declares that this Product A, is in compliance with the essential requirements and other relevant provisions of Directive 1999/5/EC.
Estonia	Eesti	Käesolevaga kinnitab Nortelseadme Product A, vastavust direktiivi 1999/5/EÜ põhinõuetele ja nimetatud direktiivist tulenevatele teistele asjakohastele sätetele.
Finland	Suomi	Nortelvakuuttaa täten että Product A, tyyppinen laite on direktiivin 1999/5/EY oleellisten vaatimusten ja sitä koskevien direktiivin muiden ehtojen mukainen.
France	Français	Par la présente Nortel déclare que l'appareil Product A, est conforme aux exigences essentielles et aux autres dispositions pertinentes de la directive 1999/5/CE.
German	Deutsch	Hiermit erklärt Nortel., dass sich das Gerät Product A, in Übereinstimmung mit den grundlegenden Anforderungen und den übrigen einschlägigen Bestimmungen der Richtlinie 1999/5/EG befindet.
Greece	Ελληνική	ΜΕ ΤΗΝ ΠΑΡΟΥΣΑ Nortel.ΗΛ.ΝΕΙ ΟΤΙ Product A, ΣΥΜΜΟΡΦ.ΝΕΤΑΙ ΠΡΟΣ ΤΙΣ ΟΥΣΙ..ΕΙΣ ΑΠΑΙΤΗΣΕΙΣ ΚΑΙ ΤΙΣ ΛΟΙΠΕΣ ΣΧΕΤΙΚΕΣ .ΙΑΤΑΞΕΙΣ ΤΗΣ Ο.ΗΓΙΑΣ 1999/5/ΕΚ.
Hungary	Magyar	Alulírott, Nortelnyilatkozom, hogy a Product A, megfelel a vonatkozó alapvető követelményeknek és az 1999/5/EC irányelv egyéb előírásainak.
Italy	Italiano	Con la presente Nortel dichiara che questo Product A, è conforme ai requisiti essenziali ed alle altre disposizioni pertinenti stabilite dalla direttiva 1999/5/CE.
Latvia	Latviski	Ar šo Nortel deklarā, ka Product A, atbilst Direktīvas 1999/5/EK būtiskajām prasībām un citiem ar to saistītajiem noteikumiem.
Lithuania	Lietuvių	Šiuo Norteldeklaruoja, kad šis Product A, atitinka esminius reikalavimus ir kitas 1999/5/EB Direktyvos nuostatas.
Malta	Malti	Hawnhekk, Nortel., jiddikjara li dan Product A, jikkonforma mal-tiijiet essenzjali u ma provvedimenti orajn relevanti li hemm fid-Direttiva 1999/5/EC.
Netherlands	Netherlands	Hierbij verklaart Nortel dat het toestel Product A, in overeenstemming is met de essentiële eisen en de andere relevante bepalingen van richtlijn 1999/5/EG
Poland	Polski	Niniejszym Nortel oświadczam, że Product A, jest zgodny z zasadniczymi wymogami oraz pozostałymi stosownymi postanowieniami Dyrektywy 1999/5/EC.
Portugal	Português	Nortel declara que este Product A, está conforme com os requisitos essenciais e outras disposições da Directiva 1999/5/CE.
Romania	Român	Astfel, Nortel declară acel acest WLAN Radio Model 2332, este în conformitate cu cerințele necesare 0i proviziile alte semnificative de Directive 1999 5 EC.
Slovakia	Slovensky	Norteltýmto vyhlasuje, že Product A spĺoda základné požiadavky a všetky príslušné ustanovenia Smernice 1999/5/ES.
Slovenia	Slovensko	Nortel izjavlja, da je ta Product A, v skladu z bistvenimi zahtevami in ostalimi relevantnimi določili directive 1999/5/ES.
Spain	Español	Por medio de la presente, Nortel declara que el Producto A, cumple con los requisitos esenciales y cualesquiera otras disposiciones aplicables o exigibles de la Directiva 1999/5/CE.
Sweden	Svenska	Härmed intygar Nortel att denna Product A, står i överensstämmelse med de väsentliga egenskapskrav och övriga relevanta bestämmelser som framgår av direktiv 1999/5/EG.

LIMITED ONE YEAR WARRANTY FOR TURTLE BEACH PRODUCTS:

Voyetra Turtle Beach, Inc. ("VTB") warrants to the original end-user purchaser ("Purchaser") that the retail Turtle Beach hardware product herein ("Product") will be free of defects in materials and workmanship for a period of one year from the date of purchase by the Purchaser ("Warranty Period"). Any Extended Warranty or Service Plans purchased through a Retail store are not honored by VTB. The Warranty refers to the repair/replacement of a defective product during this period and not a refund.

This limited warranty is extended only to the original Purchaser of a new product, which was not sold "AS IS". It is not transferable or assignable to any subsequent purchaser. This limited warranty is applicable only in the country or territory where the Product was purchased from an authorized VTB retailer and does not apply to a Product that has been purchased as used or refurbished or was included as part of a non-VTB product.

WARRANTY SERVICE:

In the USA and CANADA Warranty Service is provided by our Turtle Beach USA offices and in all other Countries it is provided by our local International Distributors when available. Refurbished/Recertified products are sold on an AS IS basis with a 90-day Warranty or less in accordance with each vendor's policy.

VTB does not warrant uninterrupted or error-free operation of the Product and is under no obligation to support the Product for all computer operating systems or future versions of such operating systems.

If a defect should occur during the Warranty Period, Purchaser must contact VTB to obtain a Return Merchandise Authorization ("RMA") number on the basis of the dated purchase receipt. Purchaser will be responsible for shipping costs incurred in returning the defective Product to an authorized VTB service center, or to the repair facility located at VTB's corporate headquarters. VTB will not be responsible for other products or accessories included with the defective Product sent to VTB. The RMA number must be clearly indicated on the outside of the package. Packages without an RMA number will be refused by VTB or its representatives and returned to sender at the sender's expense.

In the event of a defect, Purchaser's sole and exclusive remedy, and VTB's sole liability, is expressly limited to the correction of the defect by adjustment, repair, or replacement of the Product at VTB's sole option and expense. VTB owns all Products it has replaced and all parts removed from repaired Products. VTB uses new and reconditioned parts made by various manufacturers in performing warranty repairs and building replacement products. If VTB repairs or replaces a product, the original Warranty Period is not extended, however, VTB warrants that repaired or replacement parts will be free from defects in material and workmanship for a period of thirty (30) days from the date of repair or replacement, or for the remainder of the Warranty Period, whichever is greater.

This warranty does not apply to any Product that has had its serial number altered, removed or defaced, or any Product damage caused by shipping, improper storage, accident, problems with electrical power, abuse, misuse, neglect, ordinary wear, acts of God [e.g. flood], failure to follow directions, improper maintenance, use not in accordance with product instructions, unauthorized modification or service of the Product or damage resulting from the use of the Product with hardware, software or other products not provided by or specifically recommended by VTB.

NOTES:

- Replacement Parts and accessories that are subject to "wear and tear" such as earpads, mic foam covers, talkback cables, etc. have a three (3) month Warranty.
- Replacement Parts for Discontinued Products are sold on an AS IS basis, they are not supported and come with a 30 day Warranty.

THIS LIMITED WARRANTY IS PURCHASER'S SOLE AND EXCLUSIVE REMEDY AND IS IN LIEU OF ALL OTHER WARRANTIES, EXPRESS OR IMPLIED. TO THE EXTENT PERMITTED BY APPLICABLE LAW, VTB HEREBY DISCLAIMS THE APPLICABILITY OF ANY IMPLIED WARRANTY OF MERCHANTABILITY, FITNESS FOR A PARTICULAR PURPOSE OR USE FOR THE PRODUCT. IF SUCH A DISCLAIMER IS PROHIBITED BY APPLICABLE LAW, THE IMPLIED WARRANTY IS LIMITED TO THE DURATION OF THE FOREGOING LIMITED WRITTEN WARRANTY.

IN NO EVENT SHALL VTB BE LIABLE FOR ANY INDIRECT, INCIDENTAL, SPECIAL, PUNITIVE OR CONSEQUENTIAL DAMAGES, OR DAMAGES, INCLUDING BUT NOT LIMITED TO ANY LOST PROFITS, DATA, OR LOSS OF USE, ANY THIRD PARTY CLAIMS, AND ANY INJURY TO PROPERTY OR BODILY INJURY (INCLUDING DEATH) TO ANY PERSON, ARISING FROM OR RELATING TO THE USE OF THIS PRODUCT OR ARISING FROM BREACH OF THE WARRANTY, BREACH OF CONTRACT, NEGLIGENCE, TORT, OR STRICT LIABILITY, EVEN IF VTB HAS BEEN ADVISED OF THE POSSIBILITY OF SUCH DAMAGES.

This warranty supersedes all prior agreements or understandings, oral or written, relating to the Product, and no representation, promise or condition not contained herein will modify these terms. Some states do not allow the exclusion or limitation of incidental or consequential damages, so the above exclusion or limitation may not apply to you. This warranty gives you specific legal rights. You may also have other rights, which vary from state to state. Any action or lawsuit for breach of warranty must be commenced within eighteen (18) months following the purchase of the Product.

EXCLUSIONS FROM LIMITED WARRANTY:

This Limited Warranty shall not apply and VTB has no liability under this Limited Warranty if the Turtle Beach Product:

- is used for commercial purposes such as "LAN, Call Centers" (including rental or lease);
- is modified or tampered with;
- is damaged by Acts of God, power surge, misuse, abuse, negligence, accident, wear and tear, mishandling, misapplication, or other causes unrelated to defective materials or workmanship;
- serial number is defaced, altered or removed;
- is not used in accordance with the documentation and use instructions; or
- is repaired, modified or altered by other than authorized repair centers.
- Product is no longer available because it was discarded.



FOR / POUR
XBOX 360® | PS3™



Watch Turtle Beach product training videos at:
youtube.com/TurtleBeachVideos



product support and warranty information:
TurtleBeach.com/support

Copyright © 2013 Voyetra Turtle Beach, Inc. (VTB, Inc.) All rights reserved. Turtle Beach, the Turtle Beach Logo, Voyetra, Ear Force, and Engineered for Gaming are either trademarks or registered trademarks of VTB, Inc. Xbox, Xbox 360, and Xbox LIVE are registered trademarks of Microsoft Corporation. Playstation is a registered trademark and PS3 is a trademark of Sony Computer Entertainment, Inc. Mac is a registered trademark of Apple, Inc. Bluetooth is a registered trademark of SIG, Inc. All Rights Reserved. Dolby and the double-D symbol are trademarks of Dolby Laboratories. All other trademarks are properties of their respective companies and are hereby acknowledged. Actual product appearance may differ from package imagery. Assembled in China.

This product is compliant with the Consumer Product Safety
Improvement Act of 2008, Public Law 110-314 (CPSIA)

