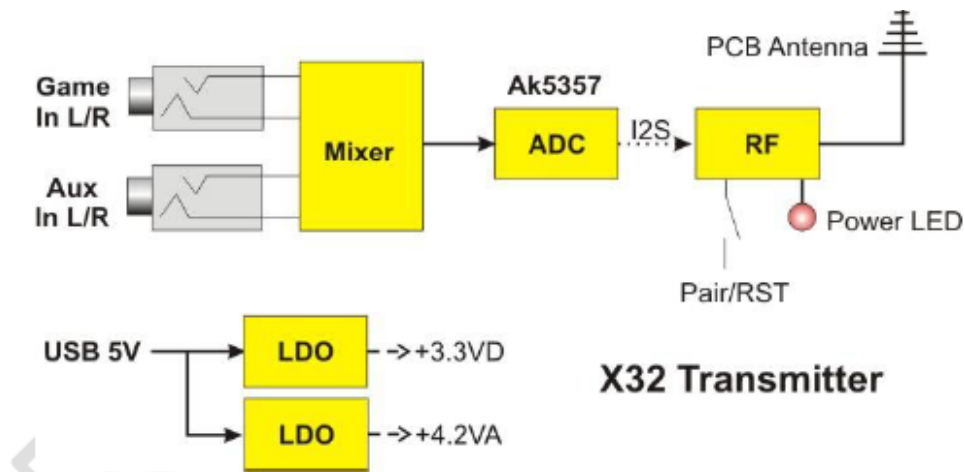


Picture 1 X32 Headset Block Diagram



Picture 2 X32 Transmitter Block Diagram