
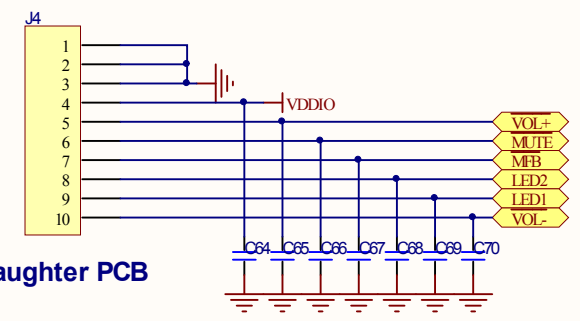
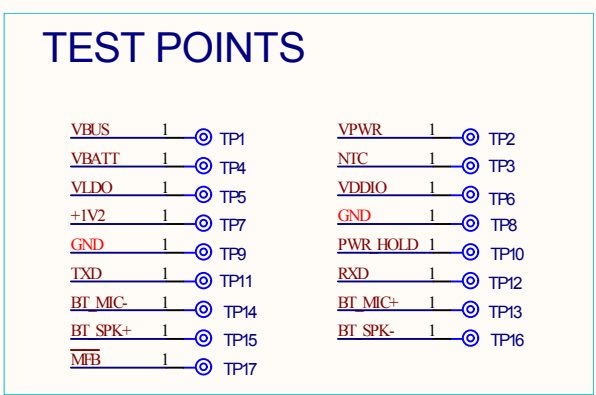
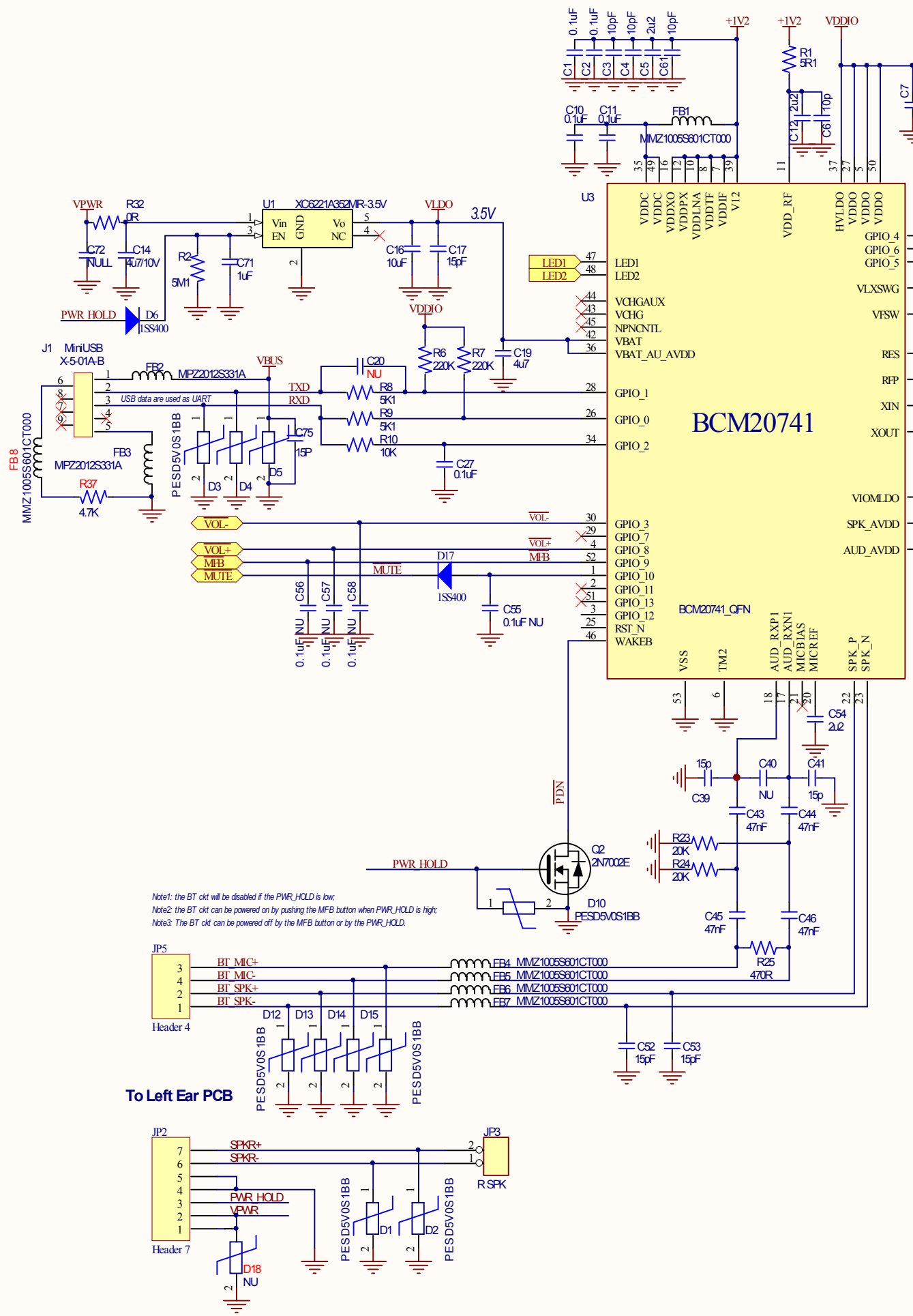
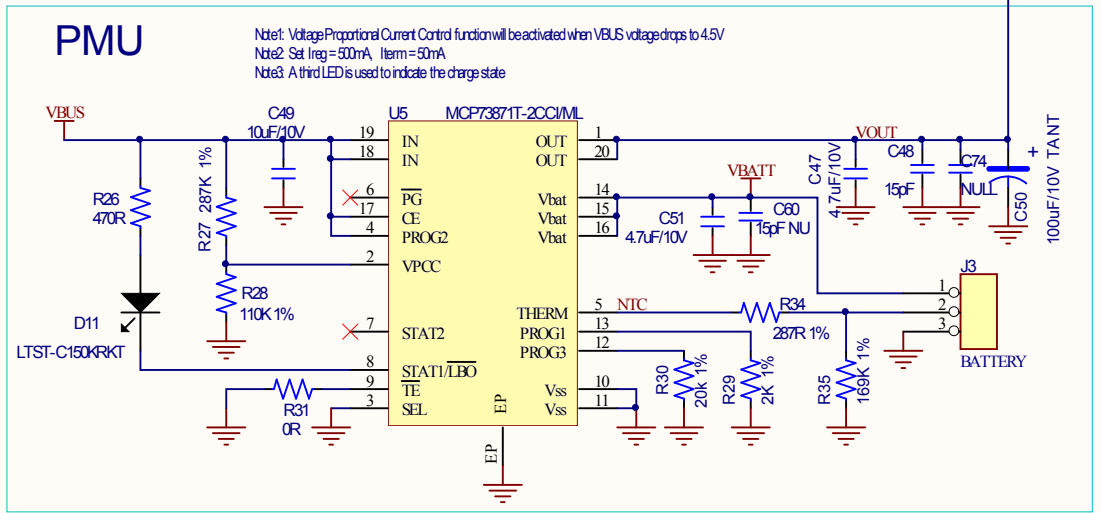
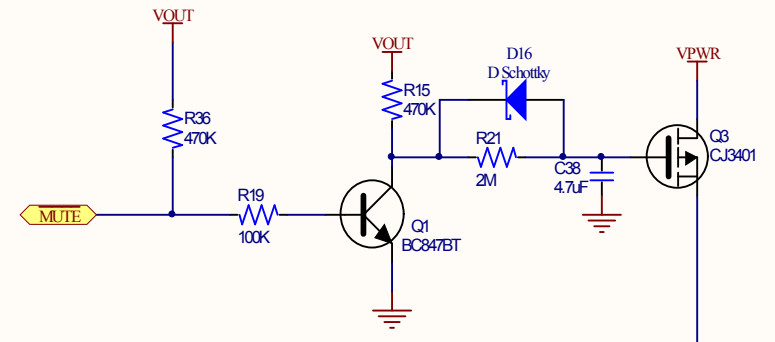


NOTE: Do not populate components marked as NU

Title XP300 Rx SCH_LEFT		Revision: MP1.0	
Date: 2012-1-6		Sheet 1 of 2	
XP300 RX Left SCH_MP1.0[20111229].SCH			
CONFIDENTIAL DOCUMENT			
(c) 2011 Voyetra Turtle Beach, Inc.			
DO NOT COPY OR DISTRIBUTE WITHOUT WRITTEN PERMISSION FROM VTB, INC.			
		VOYETRA TURTLE BEACH, INC 150 Clearbrook Road, Elmsford, NY 10523 (914) 345-2255 www.TurtleBeach.com	

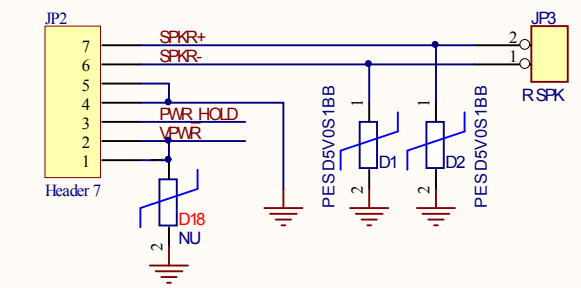


To daughter PCB



Note1: the BT ckt will be disabled if the PWR_HOLD is low;
 Note2: the BT ckt can be powered on by pushing the MFB button when PWR_HOLD is high;
 Note3: The BT ckt can be powered off by the MFB button or by the PWR_HOLD.

To Left Ear PCB



Title			XP300 Rx SCH_RIGHT MAIN		
Size	Number	Revision			
A3	1/1	ES3.1			
Date:	2012-1-6	Sheet of			
File:	E:\G\TK_XP300 Rx_SCH_Right_Main_MP	Date: 2012-1-6		Sheet of	