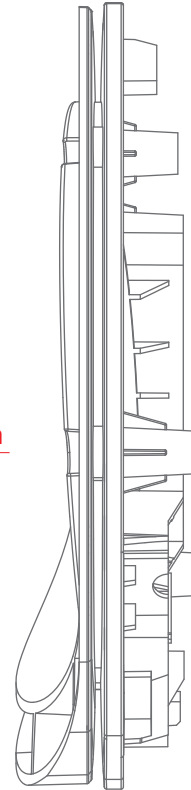
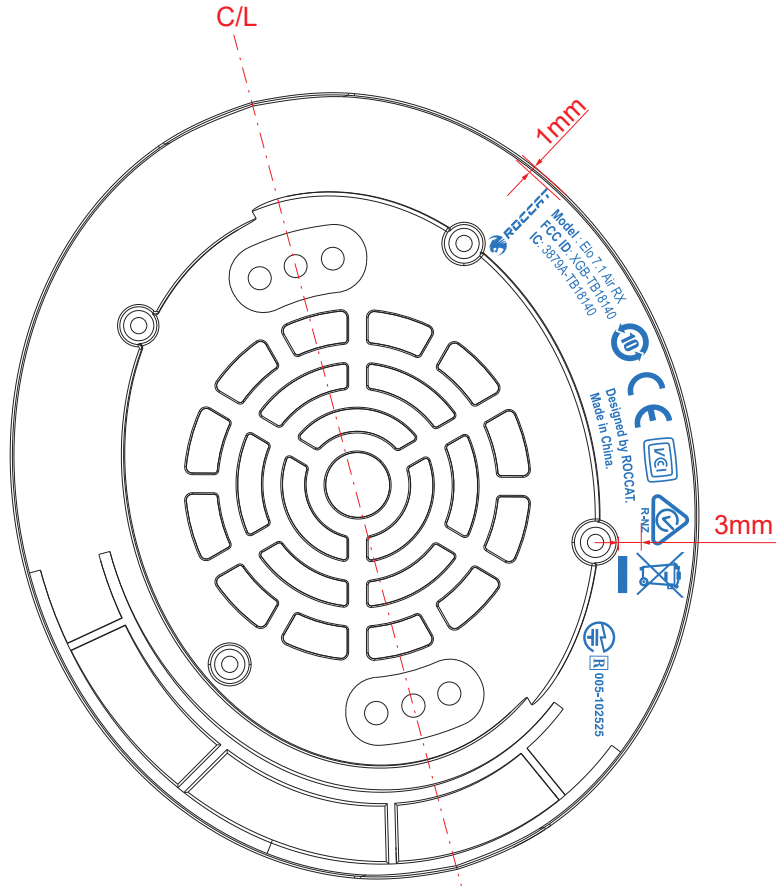
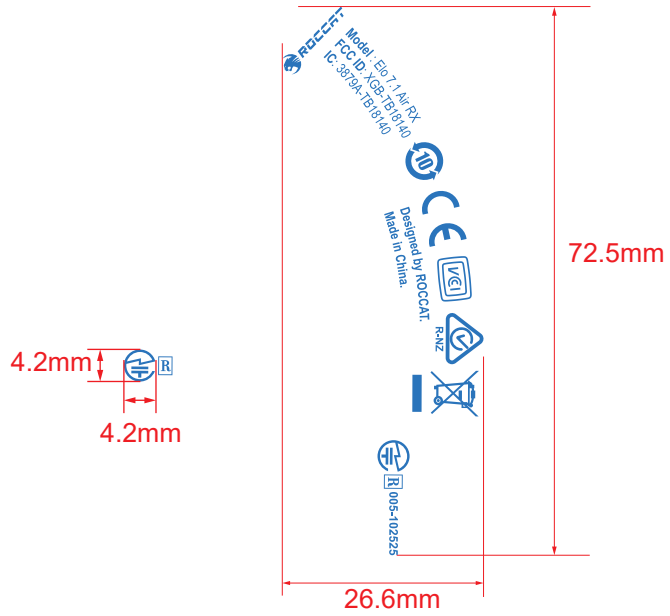


Scale: 1:1
 Finish: Laser Etching



- NOTE:
1. The Regulatory number will be updated.
 2. "Made in XXXX" will be updated per MFG location.