

Project Name : CA300	Date : 2020.07.20	ID Designer : Amy Chang
Part Name : Speaker Plate L	Version :B	Checked : Alice Li
Drawing Number : ID-AR-20200213-02-VB	Purpose : MP	Approved : Alice Li

Revision History

Revision	Date	Description	Amended by
1	2020.03.03	Review	Amy Chang
2	2020.03.05	Update the REG.	Amy Chang
3	2020.03.06	Update the REG.	Amy Chang
4	2020.03.27	Remove NOM logo and add VCCI logo, SRRC ID	Amy Chang
5	2020.03.30	Modify the model name from "CA300 RX" to "ELO 7.1 Air RX"	Amy Chang
6	2020.04.01	Update the model name, FCC ID, IC ID, MFG location.	Amy Chang
7	2020.04.14	Update the IC ID.	Amy Chang
8	2020.05.04	Modify the position of KC logo and JRF logo.	Amy Chang
9	2020.05.06	Remove IFETEL and CMIIT ID.	Amy Chang
10	2020.05.06	Modify the lettering of "IC ID" to "IC"	Amy Chang
A	2020.07.14	Remove "KC" and "JRF" logo for MP	Amy Chang
B	2020.07.20	Update JRF number	Amy Chang

Project Name : CA300

Date : 2020.07.20

ID Designer : Amy Chang

Part Name : Speaker Plate L

Version :B

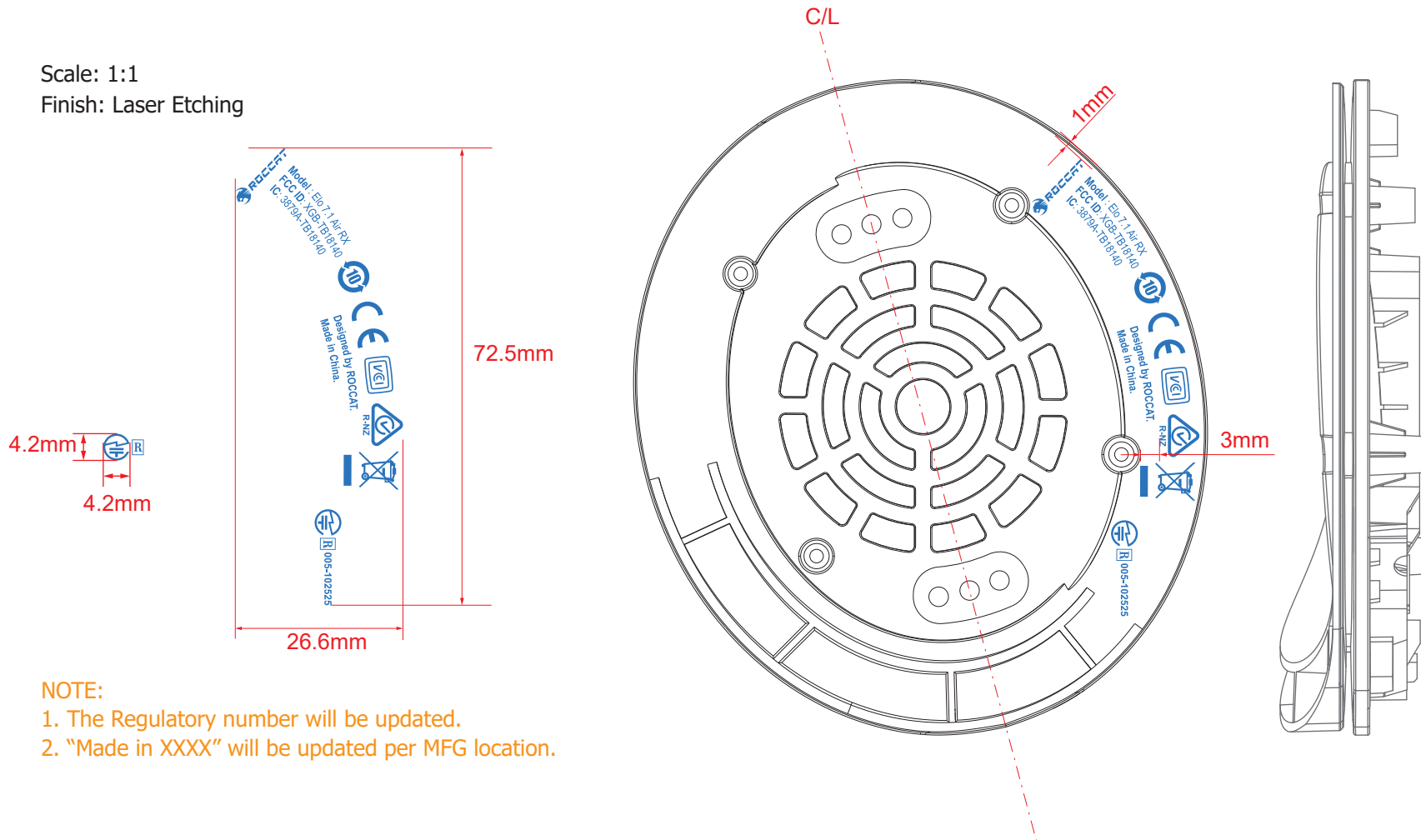
Checked : Alice Li

Drawing Number : ID-AR-20200213-02-VB

Purpose : MP

Approved : Alice Li

Scale: 1:1  
Finish: Laser Etching



- NOTE:
1. The Regulatory number will be updated.
  2. "Made in XXXX" will be updated per MFG location.