



ATOM

CONTROLLER

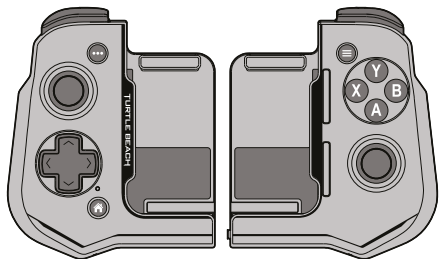
QUICK-START GUIDE

GUIDE DE DÉMARRAGE RAPIDE

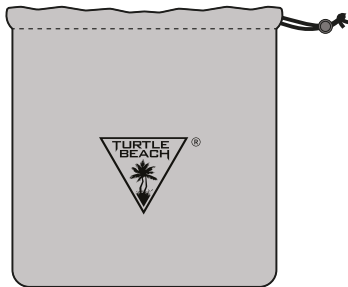
**IMPORTANT: READ BEFORE USING
ANY QUESTIONS? [TURTLEBEACH.COM/SUPPORT](https://turtlebeach.com/support)**

**IMPORTANT À LIRE AVANT UTILISATION
DES QUESTIONS? [TURTLEBEACH.COM/SUPPORT](https://turtlebeach.com/support)**

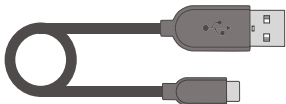
CONTENTS
CONTENU



A ATOM CONTROLLER
MANETTE ATOM



B TRAVEL POUCH
POCHETTE DE TRANSPORT



C 3.3'/1 M USB-A TO USB-C CABLE
CÂBLE USB-A À USB-C DE 1 M

**CONTROLS
COMMANDES**

LEFT TRIGGER

LEFT BUMPER

OPTION BUTTON

LEFT STICK

Click for button

D-PAD

MAIN CONNECTION
LED

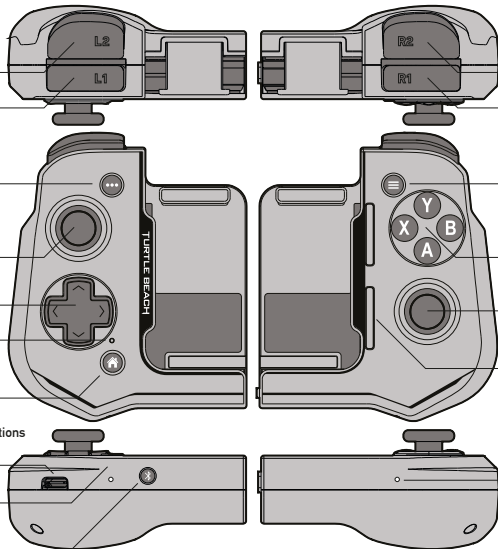
HOME BUTTON

In-game menu and power functions

USB-C CABLE PORT

LEFT MODULE
STATUS LED

PAIRING BUTTON connect to iOS® smart devices for mobile gaming



RIGHT TRIGGER

RIGHT BUMPER

MENU BUTTON

ACTION BUTTONS

RIGHT STICK

Click for button

SPEAKER VENTS

RIGHT MODULE
STATUS LED

**CONTROLS
COMMANDES**

GÂCHETTE GAUCHE

GÂCHETTE HAUTE GAUCHE

BOUTON D'OPTION

STICK ANALOGIQUE
GAUCHE
Bouton cliquable

CROIX
DIRECTIONNELLE

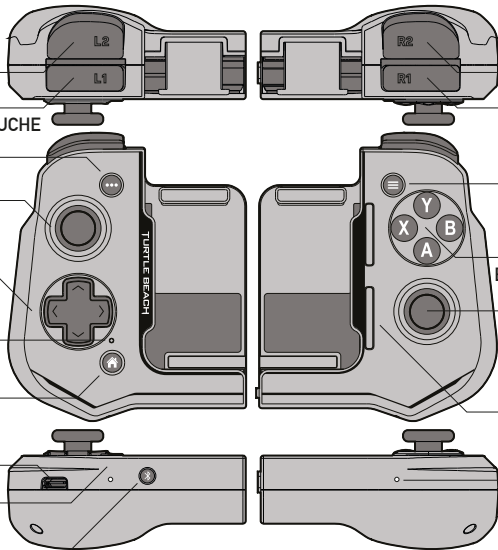
LED DE CONNEXION
PRINCIPALE

BOUTON D'ACCUEIL
Menu en jeu et fonctionnalités
d'allumage

PORT POUR USB-C

LED D'ÉTAT DU
MODULE DE GAUCHE

BOUTON D'APPARIAGE connectez-vous à des smartphones iOS® pour les jeux mobiles



GÂCHETTE DROITE

GÂCHETTE HAUTE
DROITE

BOUTON DU MENU

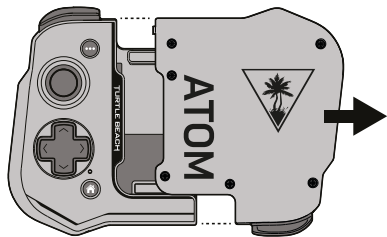
BOUTONS D'ACTION

STICK
ANALOGIQUE
DROIT
Bouton cliquable

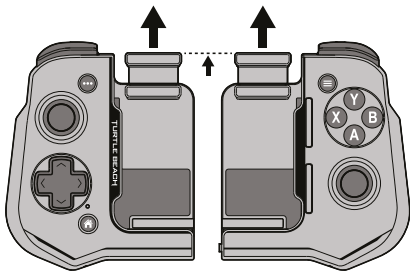
HAUT-PARLEUR
INTÉGRÉ

LED D'ÉTAT DU
MODULE DE
DROITE

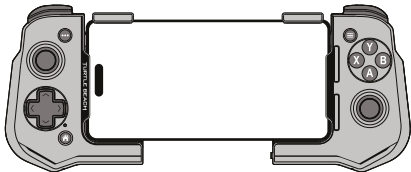
ATTACHING SMARTPHONE
ATTACHER UN SMARTPHONE



- 1** SEPARATE THE LEFT AND RIGHT MODULES
SÉPARER LES MODULES DE DROITE ET
DE GAUCHE



- 2** RAISE THE CLAMPS TO THE REQUIRED HEIGHT
SOULEVEZ LES PINCES JUSQU'À LA
HAUTEUR SOUHAITÉE



3 SECURELY ATTACH YOUR SMARTPHONE TO THE ATOM CONTROLLER MODULES. SMARTPHONES WITH DEPTHS BETWEEN 67-92mm, AND HEIGHTS OF 6-10.5mm ARE SUPPORTED.

FIXEZ CORRECTEMENT VOTRE SMARTPHONE AUX MODULES DE LA MANETTE ATOM. LE DISPOSITIF PREND EN CHARGE LES SMARTPHONES DONT LA PROFONDEUR SE SITUE ENTRE 67 ET 92 MM ET DONT LA HAUTEUR SE SITUE ENTRE 6 ET 10,5 MM.

- ES** Fija tu smartphone firmemente a los módulos del mando atom. Se pueden utilizar smartphones con profundidades de entre 67 y 92 mm y alturas de entre 6 y 10,5 mm.
- DE** Befestige dein Smartphone sicher an den ATOM Controller-Modulen. Smartphones mit einer Tiefe von 67-92 mm und einer Höhe von 6-10,5 mm werden unterstützt.
- IT** Fissa saldamente il tuo smartphone ai moduli del controller Atom. Sono supportati gli smartphone di profondità compresa tra 67 e 92 mm e altezza compresa tra 6 e 10,5 mm.
- PT** Fixa com segurança o teu smartphone aos módulos do controlador atom. Suporta smartphones com profundidades de 67 a 92 mm e alturas de 6 a 10,5 mm.
- SE** Fäst din mobiltelefon i Atom-handkontrollens moduler. Mobiltelefoner som är 67-92 mm djupa och 6-10,5 mm höga stöds.
- DK** Sæt din smartphone sikkert mellem controllermodulerne. Smartphones med en dybde på mellem 67-92 mm og en højde på 6-10,5 mm understøttes.
- NL** Bevestig je smartphone aan de modules van de Atom-controller. Smartphones met dieptes tussen 67-92 mm en hoogtes tussen 6-10,5 mm worden ondersteund.
- KR** Atom 컨트롤러 모듈에 스마트폰을 단단히 고정하세요. 두께 67~92mm, 높이 6~10.5mm의 스마트폰을 지원합니다.
- JP** スマホを Atom コントローラーモジュールにしっかり固定します。幅 67~92mm、厚さ 6~10.5mm のスマートフォンに対応しています。
- ZH** 穩固地將您的智慧型手機連接至 Atom 控制器模組上。支援寬度 67-92mm、厚度 6-10.5mm 的智慧型手機。

POWERING ATOM ON/OFF ALLUMER/ÉTEINDRE ATOM

PRESS THE HOME BUTTON FOR 2 SECONDS TO POWER ON THE LEFT MODULE. PRESS THE MENU BUTTON FOR 2 SECONDS TO POWER ON THE RIGHT MODULE.

APPUYEZ SUR LE BOUTON D'ACCUEIL PENDANT 2 SECONDES POUR ALLUMER LE MODULE DE GAUCHE. APPUYEZ SUR LE BOUTON DU MENU PENDANT 2 SECONDES POUR ALLUMER LE MODULE DE DROITE.

ES Presiona el botón de inicio durante 2 segundos para encender el módulo izquierdo. Pulsa el botón menú durante 2 segundos para encender el módulo derecho.

DE Halte die home-taste 2 Sekunden lang gedrückt, um das linke Modul zu aktivieren. Halte die Menü-Taste 2 Sekunden lang gedrückt, um das rechte Modul zu aktivieren.

IT Mantieni premuto il pulsante home per 2 secondi per accendere il modulo sinistro. Mantieni premuto il pulsante Menu per 2 secondi per accendere il modulo destro.

PT Pressiona o botão home durante 2 segundos para ligar o módulo esquerdo. Pressiona o botão de menu durante 2 segundos para ligar o módulo direito.

SE Tryck på hemknappen i 2 sekunder för att slå på den vänstra modulen. Tryck på menyknappen i 2 sekunder för att slå på den högra modulen.

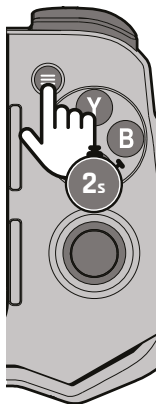
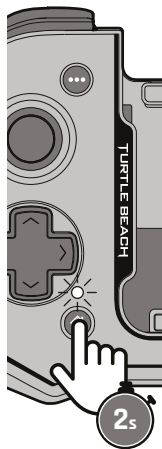
DK Tryk på hjem-knappen i 2 sekunder for at tænde det venstre modul. Tryk på menuknappen i 2 sekunder for at tænde det højre modul.

NL Houd de homeknop 2 seconden ingedrukt om de linkermodule in te schakelen. Houd de menuknop gedurende 2 seconden ingedrukt om de rechtermodule in te schakelen.

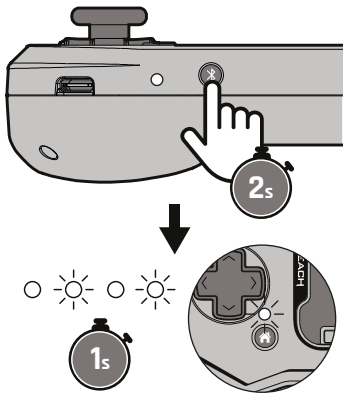
KR 홈 버튼을 2초 동안 길게 눌러 왼쪽 모듈의 전원을 켭니다. 메뉴 버튼을 2초 동안 눌러 오른쪽 모듈의 전원을 켭니다.

JP ホームボタンを2秒間押し続けて、左側のモジュールの電源を入れます。メニューボタンを2秒間長押しして、右モジュールの電源を入れます。

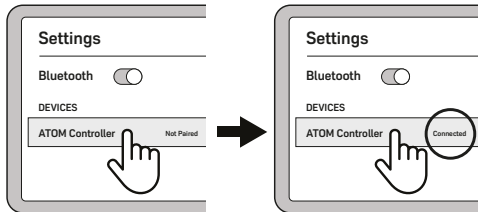
ZH 按住主頁按鈕兩秒鐘以打開左側模塊。按住選單按鈕兩秒，開啟右模組電源。



SETUP FOR BLUETOOTH®
CONFIGURATION POUR BLUETOOTH®

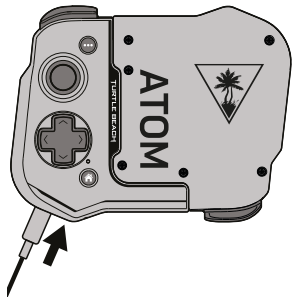


- 1** PRESS PAIRING BUTTON
APPUYEZ SUR LE BOUTON
D'APPARIAGE



- 2** ENABLE BLUETOOTH AND TAP THE DEVICE
ENTRY TO PAIR
ACTIVEZ LE BLUETOOTH ET APPUYEZ SUR LE NOM
DE L'APPAREIL POUR EFFECTUER L'APPARIAGE

CHARGING ATOM RECHARGEMENT D'ATOM



BOTH MODULES MUST BE JOINED IN TRAVEL MODE FOR CHARGING. IN THIS MODE, THE CONTROLLER WILL NOT POWER ON. CHARGE THE CONTROLLER USING THE SUPPLIED USB-C CABLE.

LES DEUX MODULES DOIVENT ÊTRE EN MODE VOYAGE POUR ÊTRE RECHARGÉS. DANS CE MODE, LA MANETTE NE S'ALLUMERA PAS. CHARGEZ LA MANETTE À L'AIDE DU CÂBLE USB-C FOURNI.

- ES** Ambos módulos deben estar unidos en el modo viaje para cargar. En este modo, el mando no se encenderá. Carga el mando con el cable USB-C proporcionado.
- DE** Beide Module müssen im Reise-Modus verbunden sein, um mit dem Aufladen beginnen zu können. In diesem Modus lässt sich der Controller nicht aktivieren. Das Aufladen des Controllers funktioniert über das enthaltene USB-C Kabel.
- IT** Per essere caricati, entrambi i moduli devono essere uniti in modalità aereo. In questa modalità, il controller non si accenderà. Ricarica il controller utilizzando il cavo USB-C incluso.
- PT** Os dois módulos têm de estar unidos em modo de viagem para carregar. Neste modo, o controlador não se liga. Carregue o controlador usando o cabo USB-C fornecido.
- SE** Båda modulerna måste vara sammankopplade i reseläget för att laddas. I det här läget startar inte handkontrollerna. Ladda handkontrollerna med den medföljande USB-C-kabeln.
- DK** Begge moduler skal være sat sammen i rejsetilstand for at oplade. I denne tilstand kan controlleren ikke tændes. Oplad controlleren med det vedlagte USB-C-kabel.
- NL** Beide modules moeten in de reismodus zijn aangesloten om te kunnen opladen. In deze modus wordt de controller niet ingeschakeld. Sluit de controller aan met de meegeleverde USB-C-kabel.
- KR** 여행 모드에서는 양 모듈을 합쳐야 충전할 수 있습니다. 이 모드에서는 컨트롤러의 전원이 켜지지 않습니다. 제공된 USB-C 케이블을 사용하여 컨트롤러를 충전하세요.
- JP** 充電するには、両方のモジュールをトラベルモードで結合する必要があります。このモードでは、コントローラーの電源は入りません。同梱の USB-C ケーブルを使用してコントローラーを充電できます。
- ZH** 兩個模組都必須進入旅行模式才能充電。在此模式中，控制器的電源不會開啟。使用附上的 USB-C 連接線為控制器充電。

CHARGING ATOM - LED INDICATIONS

RECHARGEMENT D'ATOM - TÉMOINS LED

Atom state Statut de l'Atom	LED: main connection LED : connexion principale	LED: left module LED : module de gauche	LED: right module LED : module de droite
Atom off Atom éteinte	Off Éteinte	Off Éteinte	Off Éteinte
Atom off: charging Atom éteinte : en charge	Off Éteinte	Red breathing, 5 second pulse, 5 seconds off Clignotement rouge, pulsation de 5 secondes, arrêt de 5 secondes	Red breathing, 5 second pulse, 5 seconds off Clignotement rouge, pulsation de 5 secondes, arrêt de 5 secondes
Atom off: fully charged Atom éteinte : chargée	Off Éteinte	Solid green Vert sans clignotement	Solid green Vert sans clignotement
Atom on: looking for paired device Atom allumée : recherche d'appareil pour le couplage	White flash once per second Clignotement blanc toutes les secondes	Blue flash once per second Clignotement bleu toutes les secondes	Blue flash once per second Clignotement bleu toutes les secondes
Atom on: pairing mode Atom allumée : en mode couplage	White flash twice per second Clignotement blanc deux fois par seconde	Blue flash twice per second Clignotement bleu deux fois par seconde	Blue flash twice per second Clignotement bleu deux fois par seconde
Atom on: connected Atom allumée : connectée	White on at 100% brightness then drop to 30% after 1 minute Blanc avec luminosité à 100 %, puis à 30 % au bout d'une minute	White on at 100% brightness then drop to 30% after 1 minute Blanc avec luminosité à 100 %, puis à 30 % au bout d'une minute	White on at 100% brightness then drop to 30% after 1 minute Blanc avec luminosité à 100 %, puis à 30 % au bout d'une minute
Atom on: low battery Atom allumée : batterie faible	White on at 100% brightness then drop to 30% after 1 minute Blanc avec luminosité à 100 %, puis à 30 % au bout d'une minute	Red flash. On one second per 10 seconds Clignotement rouge. Une seconde toutes les 10 secondes	Red flash. On one second per 10 seconds Clignotement rouge. Une seconde toutes les 10 secondes



**Search for Turtle Beach ATOM App on
Microsoft Store, Play Store and App Store.
Smart device app requires iOS 15.4 or later.**

Recherchez l'application Turtle Beach ATOM sur l'App Store.
L'application pour appareil intelligent nécessite iOS 15.4 ou
version ultérieure.

Not seeing what you're looking for here?

Visit turtlebeach.com/support
for the latest Tech Support information.

Vous n'avez pas trouvé ce que vous cherchiez?

Rendez-vous sur turtlebeach.com/support
pour consulter les dernières informations
de l'assistance technique.

Regulatory Compliance Statements for the Atom Controller

Local Restrictions on Radio Usage

Caution: Due to the fact that the frequencies used by wireless devices may not yet be harmonized in all countries, these radio products are designed for use only in specific countries, and are not allowed to be operated in countries other than those of designated use. As a user of these products, you are responsible for ensuring that the products are used only in the countries for which they were intended and for verifying that they are configured with the correct selection of frequency and channel for the country of use. Any deviation from the permissible power and frequency settings for the country of use is an infringement of national law and may be punished as such.

To determine whether you are allowed to use your wireless network device in a specific country, please check to see if the radio type number that is printed on the identification label of your device is listed in the manufacturer's OEM Regulatory Guidance document at the following URL <http://www.turtlebeach.com/homologation> or contact Turtle Beach directly.

Federal Communications Commission (FCC) Compliance Notices

This section includes the following FCC statements for the Atom Controller:

- Non-Modification Statement
- Class B Interference Statement
- RF Radiation Exposure & Hazard Warning

Caution: Any changes or modifications not expressly approved by the party responsible for compliance could void the user's authority to operate this equipment.

FCC Caution:

This device complies with part 15 of the FCC Rules. Operation is subject to the following two conditions:

(1) This device may not cause harmful interference, and (2) this device must accept any interference received, including interference that may cause undesired operation. Any Changes or modifications not expressly approved by the party responsible for compliance could void the user's authority to operate the equipment.

Note: This equipment has been tested and found to comply with the limits for a Class B digital device, pursuant to part 15 of the FCC Rules. These limits are designed to provide reasonable protection against harmful interference in a residential installation. This equipment generates uses and can radiate radio frequency energy and, if not installed and used in accordance with the instructions, may cause harmful interference to radio communications. However, there is no guarantee that interference will not occur in a particular installation. If this equipment does cause harmful interference to radio or television reception, which can be determined by turning the equipment off and on, the user is encouraged to try to correct the interference by one or more of the following measures:

- Reorient or relocate the receiving antenna.
- Increase the separation between the equipment and receiver.
- Connect the equipment into an outlet on a circuit different from that to which the receiver is connected.
- Consult the dealer or an experienced radio/TV technician for help.

RF Radiation Exposure & Hazard Statements

This equipment complies with FCC radiation exposure limits set forth for an uncontrolled environment. End users must follow the specific operating instructions for satisfying RF exposure compliance. This transmitter must not co-located or operating in conjunction with any other antenna or transmitter.

RF warning for Portable device

The device has been evaluated to meet general RF exposure requirement. The device can be used in portable exposure condition without restriction.

Non-Modification Statement

Use only the supplied Internal antenna. Unauthorized antennas, modifications, or attachments could damage the Atom Controller and violate FCC regulations. Any changes or modifications not expressly approved by the party responsible for compliance could void the user's authority to operate this equipment. Please contact Turtle Beach for a list of approved 2.4 GHz antennas.

Innovation, Science and Economic Development Canada (ISED) Compliance Notices

This section includes the following ISED statements for Atom Controller:

- Class B Interference Statement
- RF Radiation Exposure & Hazard Warning

Canadian ICES Statements

RSS-Gen Issue 3 December 2010:

This device complies with Industry Canada's licence-exempt RSSs. Operation is subject to the following two conditions:

1. This device may not cause interference, and
2. This device must accept any interference, including interference that may cause undesired operation of the device.

CNR-Gen 3e édition Décembre 2010:

Le présent appareil est conforme aux CNR d'Industrie Canada applicables aux appareils radio exempts de licence. L'exploitation est autorisée aux deux conditions suivantes :

1. L'appareil ne doit pas produire de brouillage, et
2. L'utilisateur de l'appareil doit accepter tout brouillage radioélectrique subi, même si le brouillage est susceptible d'en compromettre le fonctionnement.

RF Radiation Exposure & Hazard Statement

The product complies with Canada portable RF exposure limits set forth for an uncontrolled environment and are safe for intended operation as described in this manual. The further RF exposure reduction can be achieved if the product can be kept as far as possible from the user body or set the device to lower output power if such function is available.

Exposition aux radiations RF & Mention de danger

Le produit est conforme aux limites d'exposition pour les appareils portables RF pour les Etats-Unis et le Canada établies pour un environnement non contrôlé. Le produit est sûr pour un fonctionnement tel que décrit dans ce manuel. La réduction aux exposition RF peut être augmentée si l'appareil peut être conservé aussi loin que possible du corps de l'utilisateur ou que le dispositif est réglé sur la puissance de sortie la plus faible si une telle fonction est disponible.

WARNING: This product can expose you to chemicals which are known to the State of California to cause cancer.

For more information, go to www.P65Warnings.ca.gov.

European Union and European Fair Trade Association (EFTA) Regulatory Compliance


This equipment may be operated in the countries that comprise the member countries of the European Union and the European Fair Trade Association.

These countries, listed below, are referred to as The European Community throughout this document: AUSTRIA, BELGIUM, BULGARIA, CYPRUS, CZECH REPUBLIC, DENMARK, ESTONIA, FINLAND, FRANCE, GERMANY, GREECE, HUNGARY, IRELAND, ITALY, LATVIA, LITHUANIA, LUXEMBOURG, MALTA, NETHERLANDS, POLAND, PORTUGAL, ROMANIA, SLOVAKIA, SLOVENIA, SPAIN, SWEDEN, UNITED KINGDOM, ICELAND, LICHTENSTEIN, NORWAY, SWITZERLAND.

NCC警語:

取得審驗證明之低功率射頻器材，非經核准，公司、商號或使用者均不得擅自變更頻率、加大功率或變更原設計之特性及功能。
低功率射頻器材之使用不得影響飛航安全及干擾合法通信；經發現有干擾現象時，應立即停用，並改善至無干擾時方得繼續使用。
前述合法通信，指依電信管理法規規定作業之無線電通信。
低功率射頻器材須忍受合法通信或工業、科學及醫療用電波輻射性電機設備之干擾。

Declaration of Conformity

Marking by this symbol: 

declares that this product is in compliance with the essential requirements and other relevant provisions of Directive 2014/53/EU.

Operation frequency: 2402-2480MHz, Max output: 5.82dBm, Temperature Range: 0°C ~ +45°C

DC 3.7V from Internal Battery DC 5V only charging

This equipment meets the following conformance standards:

FCC PART15B

FCC47 CFR Part 15:2019

TPCH(2021-2)

10 C.F.R. section 430.23(aa); Appendix Y to Subpart B of Part

ENERGY STAR Draft Test Method for Computers, Rev.

October 2019, California Code of Regulations, Title 20, Division 2, Chapter

CPSIA/H.R. 4040 Sec.108, CPSIA/H.R. 4040 Sec.101

EN 55032, EN55035

EN 71-1: 2014+A1 2018 Mechanical and Physical Test, EN71-2:2011+A1:2014 Flammability, EN 71-3:2019 Toxic elements

EN300328, 301489, 62479

EN62368

SVHC 233+REACH Appendix 17 : VW 91101-2020

Total Cadmium Content (Entry 23 of REACH Annex XVII)

IEC 62321-7-2:2017,

IEC 62321-8:2017,

IEC 62321-4:2013+A1:2017,

IEC62321-6:2015,
IEC62321-5:2013,
94/62/EC Toxic Elements in Packaging
Polycyclic Aromatic Hydrocarbons (PAHs) (Entry 50 of REACH ANNEX XVII)
BPA (toy<3 or intended for place in the mouth)
IC RSS-247 Issue 2 Feb.2017
Canada IC test for toy with IC (ICES-003)
NRCAN, Appendix Z to Subpart B of Part 430
AS/NZS CISPR 32:2015+A1:2020
BS EN IEC62368-1:2012+A11:2020
USB 2.0 Full Speed Test
Bluetooth Certification

Please visit the following URL for a complete copy of the Declaration of Conformity: <http://www.turtlebeach.com/homologation>



This symbol on the product or its packaging indicates that this product must not be disposed of with your other household waste. Instead, it is your responsibility to dispose of your waste equipment by handing it over to a designated collection point for the recycling of waste electrical and electronic equipment. The separate collection and recycling of your waste equipment at the time of disposal will help conserve natural resources and ensure that it is recycled in a manner that protects human health and the environment. For more information about where you can drop off your waste for recycling, please contact your local authority, or where you purchased your product.

Voyetra Turtle Beach Inc. is obligated as a producer with a main activity of selling under The Producer Responsibility Obligations (Packaging Waste) Regulations 2007. To fulfil our obligation we are registered with Comply Direct and their Recycling Room. Here you will find advice and information on packaging waste management, recycling symbols and the waste hierarchy principles of reduce, reuse and recycle.

<https://www.complydirect.com/the-recycling-room/>

Made in China



この装置は、クラスB機器です。この装置は、住宅環境で使用することを目的としていますが、この装置がラジオやテレビジョン受信機に近接して使用されると、受信障害を引き起こすことがあります。

取扱説明書に従って正しい取り扱いをして下さい。

VCCI - B



Left Module:
CCAK22LP1960T8
Right Module:
CCAK22LP1970T1



Cet appareil et ses accessoires se recyclent

A DEPOSER EN BACS
A DÉPOSER EN DÉCHÈTRE

OU

Points de collecte sur www.quefairedermesdechets.fr





WWW.TURTLEBEACH.COM