

SPECIFICATION

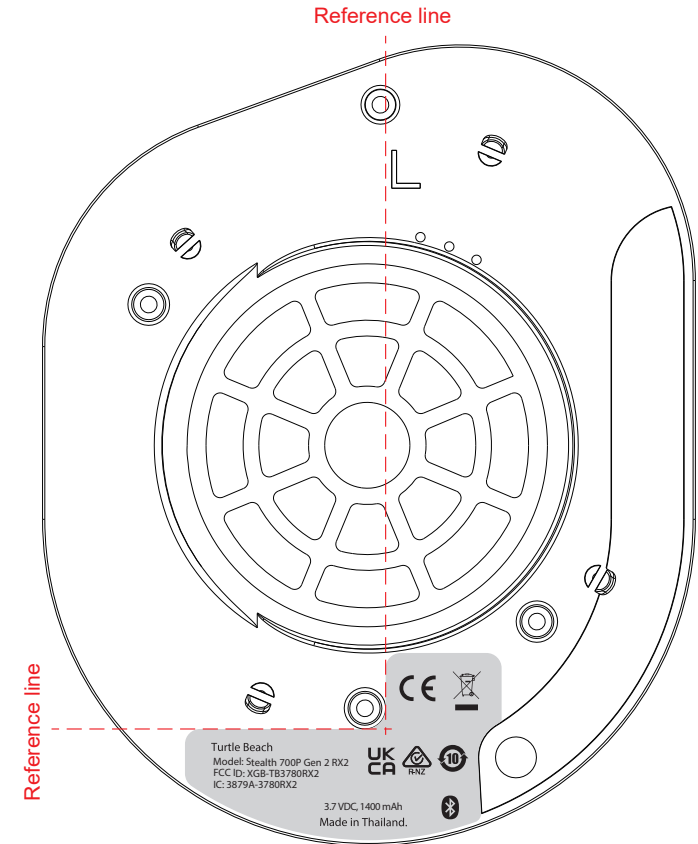
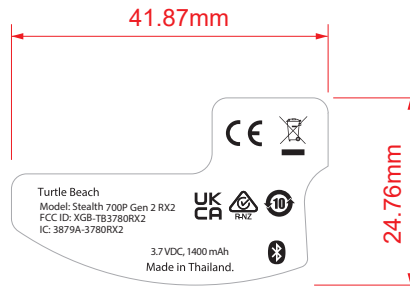
Speaker plate-L

Adhesive position

Printing : Pantone Cool Gray 3C



材質：霧銀龍



Note

- 1.Dimension:
- 2.Thickness:
- 3.Material:
- 4.Printing Color: Pantone Cool Gray 3C
- 5.Adhesive:

Turtle Beach Confidential

TATUNG A.E.B.U.

Drawing No.	EE Approved		Model Name		Description			
03911-A4-109I075	Name	Date	Speaker plate-L Regulatory masks Label		Quick7-P Headset Artwork			
FE83	Name	Date	Name	Date	Name	Date	Designed	
	Jeff Lin	2021.10.29	Midas Hsu	2021.10.29	William Chang	2021.10.29	Name	
				Version	Scale	Unit	Date	
This drawing contains information that is proprietary to Tatumg A.E.B.U.				01	1:1	mm	2021.10.29	
							Sheet	Size
							1/1	A4