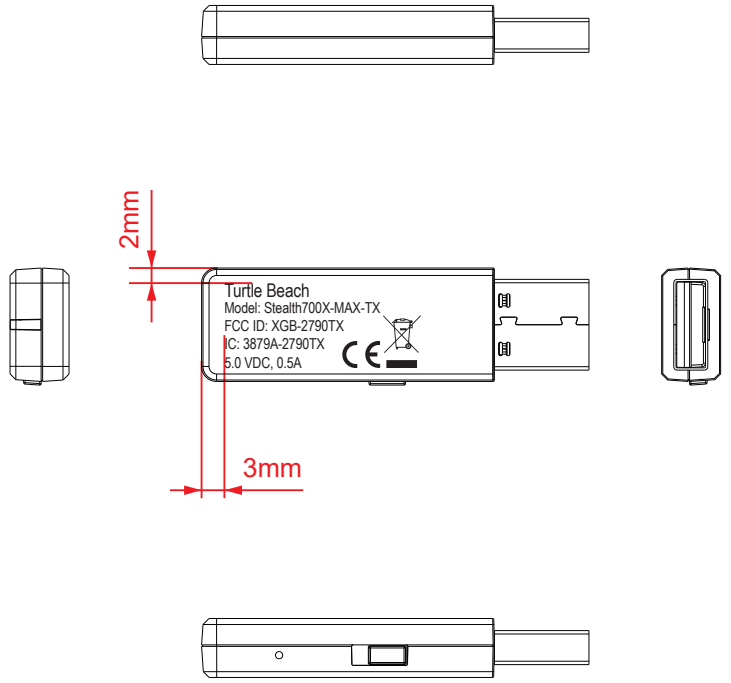


# SPECIFICATION

**Laser Etch 雷雕功率 : 15**

Turtle Beach  
 Model: Stealth700X-MAX-TX  
 FCC ID: XGB-2790TX  
 IC: 3879A-2790TX  
 5.0 VDC, 0.5A



\*Regulatory masks\*

**Note**

- 1.Dimension:
- 2.Thickness:
- 3.Material:
- 4.Printing Color:
- 5.Adhesive:

**Turtle Beach Confidential**

Drawing No.	EE Approved		Model Name		Description	
0391I-A4-110I154	Name	Date	Bottom cover		Quick7MXP Dongle Artwork	
Part No.	Approved		Checked		Drawn	
FE8342070500000	Name	Date	Name	Date	Name	Date
	Jeff Lin	2022.01.26	Midas Hsu	2022.01.26	William Chang	2022.01.26
		Version	Scale	Unit	Sheet	Size
		01	1:1	mm	1/1	A4
This drawing contains information that is proprietary to Tatung A.E.B.U.						

TATUNG

A.E.B.U.