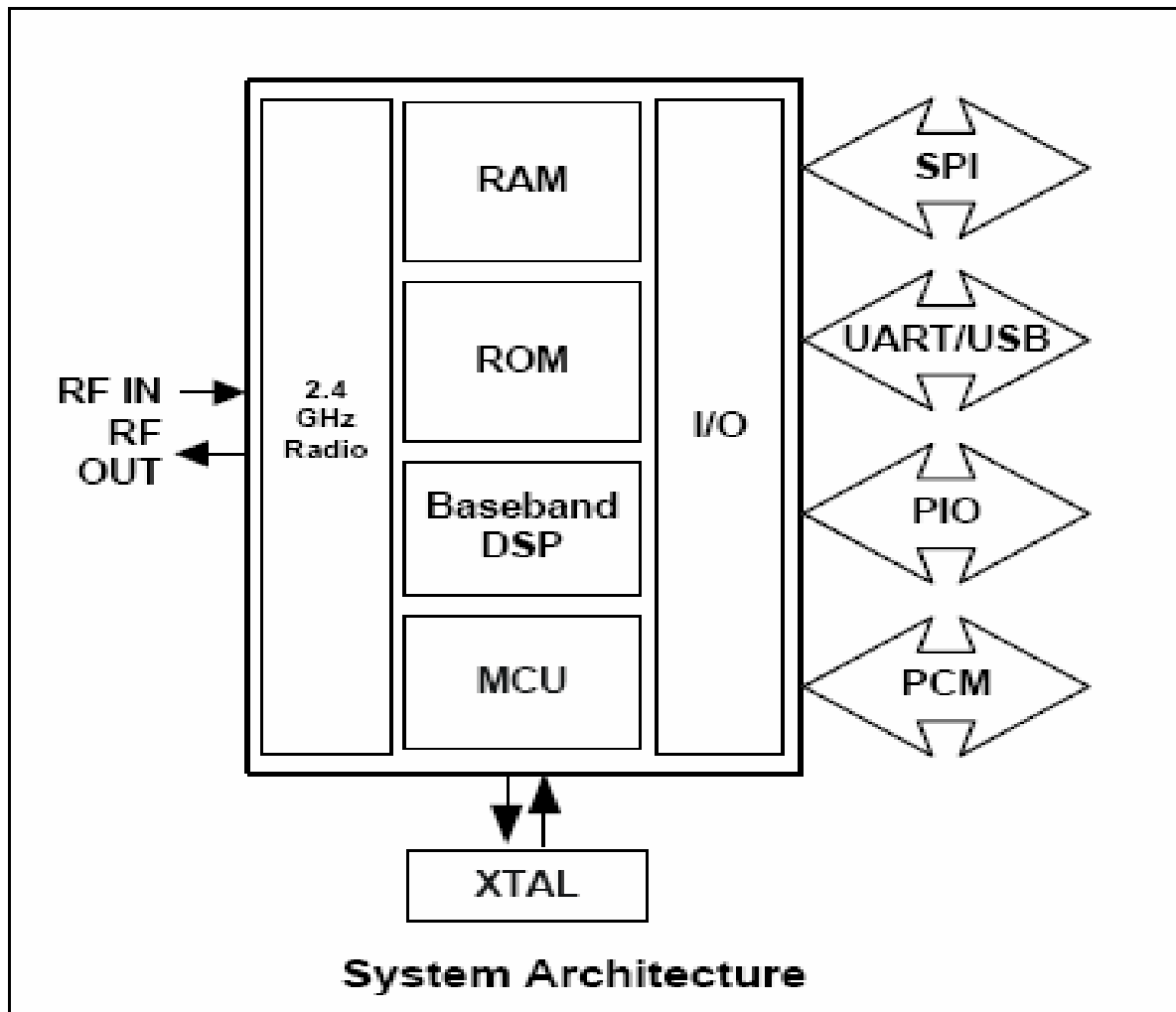
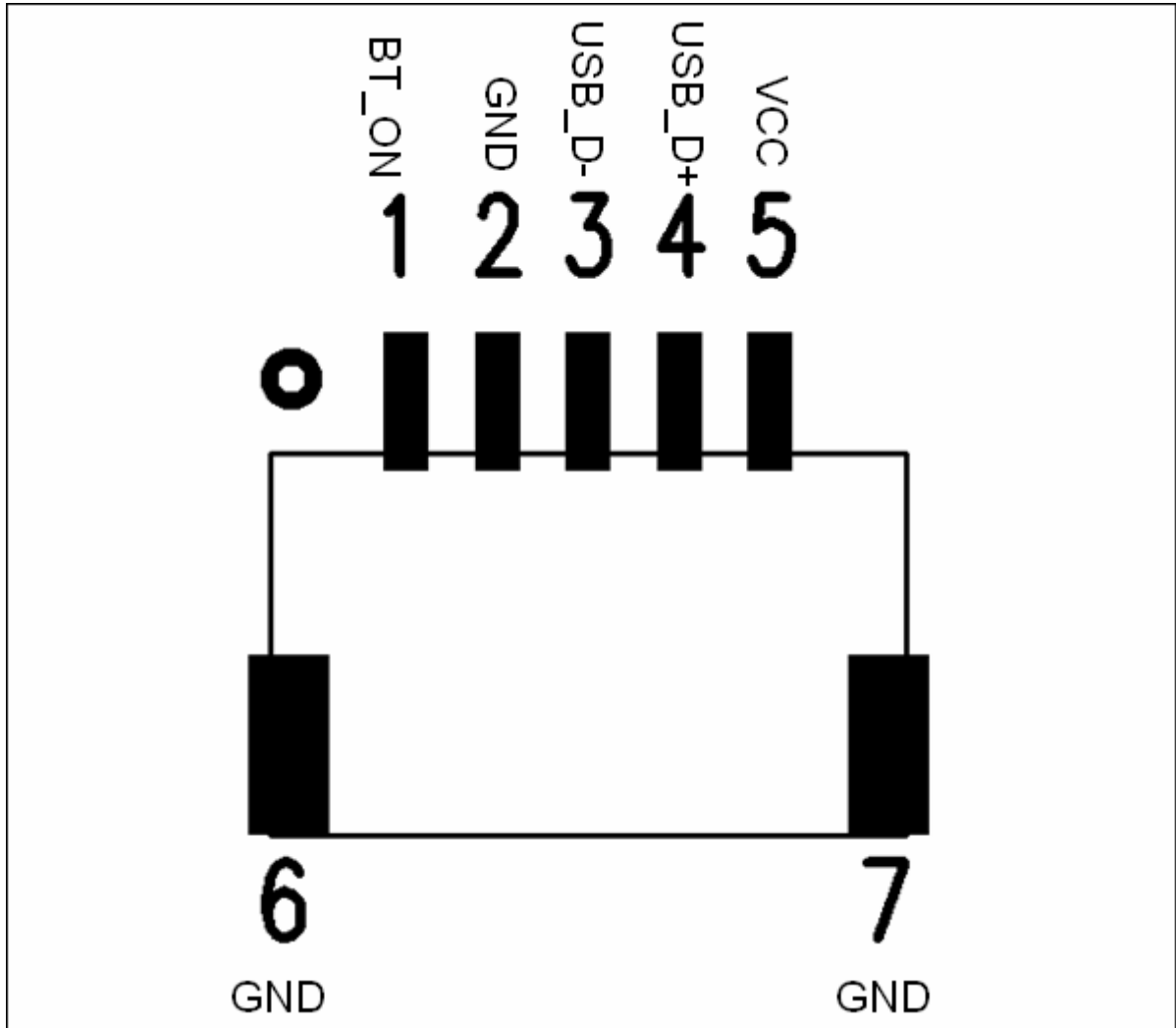


## Block diagram



## Connector Pin Configurations

(unit : mm)



PIN NO.	NAME	TYPE	DESCRIPTION
1	BT_ON	LDO_CE	LDO Enable
2	GND	GND	Ground
3	USB_D-	Bi-directional	USB data minus
4	USB_D+	Bi-directional	USB data plus with selectable Internal 1.5kΩ pull-up resistor
5	VCC	USB_5V	Power supply
6	GND	GND	Ground
7	GND	GND	Ground