



After charging your device !

Switch ON

- 1** Switch on the remote, press 1 second the button  

- 2** Choose the audio output

- 3** Switch on the headphone press 2 seconds  (WS6 / WSA II / WSA II XL)



NOTE: an headset paired with the remote control will turn on and off automatically.


The flash of the led indicates the awakening of the coil then flashes every second.





By default the DEUS II starts on the factory program N° 1 GENERAL.

Use   to test another of the 12 factory programs.

Switch OFF

Press 2 seconds the button on top left   to switch off the remote control.

The wireless XP headphones switches off automatically (otherwise force it off by pressing  and ).

If you wish to change the main detection settings:

Press , scroll through the functions, set with   and press  to return to the main menu.

Battery life

The battery life may vary depending on the modes used according to frequency selected :

REMOTE CONTROL	Wireless Audio output	Speaker or BH-01 audio output			
BATTERY LIFE	30 h	15 h			
WS6	15 h				
WSA II / WSA II XL	18 h				
Coil in Multi	Prg 1 / 2 / 3 / 4 / 5 / 6 / 7 / 8 / 11 / 12	Prg 9 RELIC / Prg 10 DIVING			
BATTERY LIFE	12 h	8 h			
Coil in Prg 7 (MONO)	4 kHz	7 to 18 kHz	25 kHz	32 kHz	45 kHz
BATTERY LIFE	8 h	13 h	15 h	18 h	20 h

NOTE: D eus II is regulated in such a way that avoids any deterioration in performance even when the battery level is low.

Charging time : ~3 Hours

! A well-maintained LiPo battery can last more than 10 years on your XP detector.

To extend the life of your batteries well beyond 5 years, do not store them for a long period neither discharged nor fully charged, keep them at half-load (30 to 80 %) and check them every 1 to 2 month.

LiPo (Lithium Polymer) batteries have no memory effect so you can recharge them at any time without waiting for a full discharge.

Coil LED explanation

- Coil in charge : LED on.
- Coil ON : 1 flash every second.
- Coil in standby: one flash every 4 seconds.
- Deep sleep : one flash every 30 seconds.
- Coil switch ON : rapid flashing followed by the battery level from 3 to 1 flash *.
- Coil switch OFF : from 3 to 1 Slow flash indicating battery level *.
- When the pinpointer switched on: the coil LED flashes rapidly.

* = 100% = 60% = 30%



NOTE: To turn off the LED of the coil and wireless headphones for your session. In OPTION> COIL PAIRING select the coil of your choice and press for 4 seconds.

Charge

The search coil, remote control and headphones are all powered by lithium polymer batteries. You should use an USB power adaptor, which enables all three elements to be charged simultaneously when used with cable supplied.



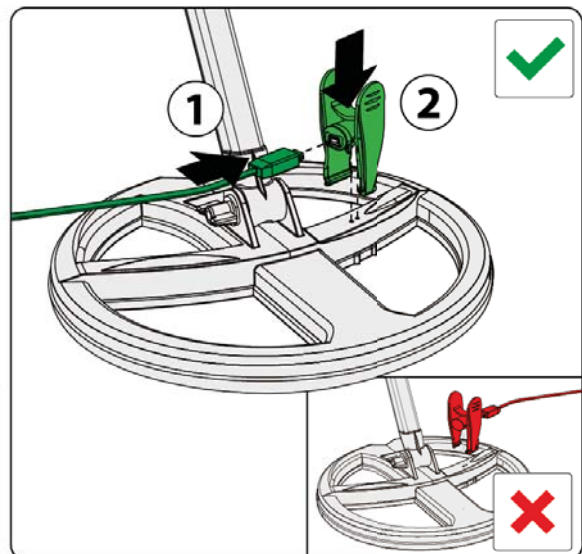
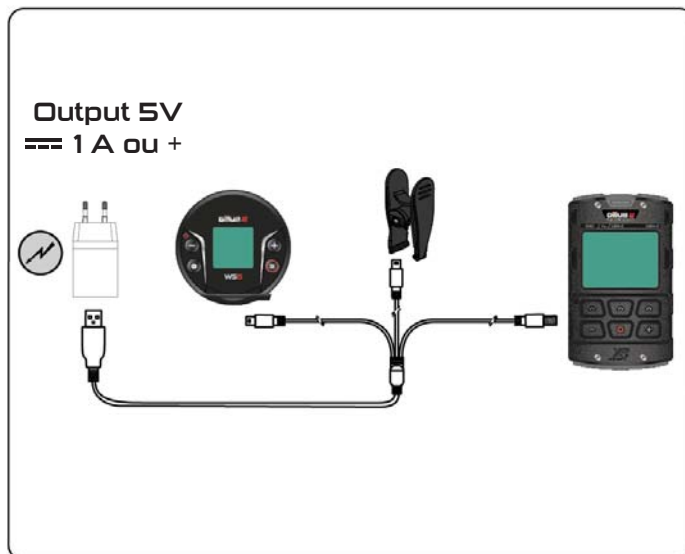
The 3 elements (Remote/headphone/coil) can be charged using any standard USB 5V certified charger with a minimum capacity of 1A and 5V output. 1A 5V USB charger is enough to charge the 3 elements together (coil/remote/headphone). Take care about the quality of the charger and never use unknown or unbranded cheap products. It is important to check that the charger has the correct symbols of certification :



In any case XPLOERER (XP METAL DETECTORS) does not hold responsible for any accidents, loss of like, injury to persons, or property damage that may occur as a result of : Incorrect use of the battery including charging with a non-approved or non-certified charger.

- Connect the USB plug to the power supply.
- Connect the round sockets to the remote control and the 2 USB mini-B to the headphones and the charging clip.

Ensure that the clamp is the right way round before connecting it to the coil. It can take up to 10 seconds for the led to activate.



Power adaptor

- Always connect your power adaptor in an accessible, visible place to ensure that it can be unplugged quickly in the event of overheating or other problems.
- Do not leave the charging detector unattended and near flammable materials.
- The power adaptor is only designed for indoor use and should not be exposed to water or humidity.
- Do not charge the devices during a thunderstorm and unplug the power adaptor from the supply.
- Use the special XP USB charger in the recommended charging method or use a certified USB charger:



Xplorer shall not be held liable for any consequences arising from a failure to comply with the precautions for use.

Lithium Polymer (LIPO) batteries durability

The LiPo batteries are designed to bear hundreds of charges and to last several years in your detector, thus resulting in significant savings in terms of purchase of batteries. After 300 to 400 charging cycles the battery still has 80% of its capacity, which then gradually begins to decrease over subsequent cycles. As an indication, the batteries should last for around 3 to 4 years when used on a weekly basis.

Replacing batteries

The batteries for the wireless headphones and the remote control are easy to replace as they are connected to the circuit with a mini-connector and double-sided adhesive tape. The search coil battery is sealed for obvious reasons - safety and impermeability. It must be returned to our service department or an XP distributor for replacement.

The batteries are guaranteed 2 years parts and labour.

Replacing coil battery :

- 1 - Remove the coil cover. Using a cutter, cut the battery cover along the interior groove (The battery cover is the one opposite the charging plug).
- 2 - Disconnect the faulty battery and remove it. Lithium batteries which must be properly recycled or returned to your vendor.
- 3 - Connect the new battery and inject the silicone onto the white battery connector to seal it.
- 4 - Apply the glue from the kit around the edge of the compartment and insert the battery / cover assembly and glue it. Hold the hood with the pliers.
- 5 - Turn the coil over and put it horizontally, like that the liquid silicone comes to perfect the seal, let dry for 24 hours.
- 6 - Finally, deburr the excess glue and reposition the coil cover.

Video explanation for replacing the battery is available on the XP website.

Safety Precautions

Acceptable ambient temperature during charging: 10°C to + 40°C Maximum.
Recommended storage temperature : 25°C.

Batteries :

- The batteries are fitted with internal protection systems which shields them from extreme overloads and discharges. They must not be dismantled or short-circuited, which is dangerous and could destroy the protection systems, risk of explosion or cause ignition.
- Do not leave batteries charging unnecessarily and disconnect the power adaptor when the charge cycle is complete or after 3hrs.
- If you notice any perforation, odour or other anomaly, please return the battery to the seller in a sealed plastic bag and don't try to recharge it as this may cause overheating, explosion or fire.
- Never dispose of lithium batteries with your household waste: return them to your XP seller or take them to a designated collection point.
- Do not place the batteries near heat sources and never throw them onto a fire
- Never perforate the battery cover or try and weld/solder the battery.
- Do not short-circuit the battery terminals.
- Risk of explosion if battery is incorrectly replaced. Replacing the battery with another of the incorrect type can lead to an explosion risk. Only use XP LiPo batteries (Remote/Coil : D088M 3.7V - 700 mAh ; headphones: D088WS 3.7V - 320 mAh)

Radio

Link	XP Link, Digital wireless
Channels	36 automatic channels
Radio frequencies and Radio power	2.4GHz / ~ 0.56mW

Features / Settings

Detection frequencies	Simultaneous frequencies from 4 to 45Khz (depending programs). + 49 mono frequencies selectable around 7 main frequencies
Sensitivity	99 levels
Sound type	Different sound : PWM, SQUARE, SAW...
Audio Volume	10 levels for each audio output
Reactivity	10 levels (-1/0/0.5/1/1.5/2/2.5/3/4/5)
Audio Response	8 levels
Iron Volume	6 levels
Multi Tones	1, 2, 3, 4, 5, Pitch, et Full Tones 1 et 2 + modes EXPERT
Ground balance	Tracking, Grab, Manual
Multi-Notch	Yes, with adjustable window width
Statique Mode - Pinpoint	Yes with and without Autotune - Audio and visual
Discrimination	Audio and visual / ferrous bottle cap rejection on 5 levels / Silencer
Threshold	Treshold and Audio frequency adjustable
Equalizer	4 Bands configurable on each audio output
Programs	12 factory programs + 12 users
Backlight	11 levels adjustable, very low consumption

General Features

Display screen	8192 pixels
Software updates	Yes by USB/ Internet connection
Wireless Headphone optional	WS6 (rainproof) - WSAII (rainproof) - WSAII XL (IP 68-1m)
Wireless coil optional	x3 DD 22.5 cm / 28 cm/ 34-28cm, waterproof 20m - 66 ft
Coil cover	Yes
Belt-mounted remote control case	Yes
Headphones storage case	Yes
Stem	Fully telescopic, S-shaped
Batteries	Remote / Coil : ~700 mAh - Headphones : 320 mAh
Batterie levels indicator	Yes: Remote / Headphone / Coil / MI-6
Wireless Remote Control battery life	~ 16 to 30H (depending audio output)
Wireless Headphone battery life	~ 15H WSAII/WS6
Wireless Coil battery life	8H to 20H depending programs and frequencies
Power charger	Depending version, Input 100-220V 50/60Hz, Output 5V- 1Amax
Cigarette lighter charger	Optional
Bone conduction headphone	Waterproof IP68 - 20m - 66 ft (optional)
Charging time	~3 h
Total detectors weight with batteries	970 g (750 g sans télécommande)
Stem weight	370 g S-Telescopic - 305 g S-Telescopic lite
Remote weight with battery	150 g
Headphone weight with battery	WS6 : 82 g - WSA II : 72 g - WSA II XL : 250 g
Coil weight	22.5 cm : 345 g - 28 cm : 470 g - 34x28 : 570 g
Length of folded stem	58 cm
Length of deployed stem	130 cm
Operating T°	-5 to + 40° C
Max ambient T° during charging	10 to + 40°C
Recommended storage T°	25°C
Waterproof coil	IP 68 - 20m - 66 ft, need optional antenna for use with the coil submerged
Guarantee	5 years parts and labour. Batteries, chargers & connectors have a 2 years warranty.
Patents	US 7940049 B2 - EP 1990658 B1 and patents pending



DEUS II
(XPRSW)



22.5 FMF
(FMF22)



28 FMF
(FMF28)



34X28 FMF
(FMF3428)



WS6
(XPWS6)



WSA II
(XPWSA2)



WSA II XL
(XPWSA2)



FX-03



BH-01



MI-6



MI-4



CLIP
PINPOINTER



DRAGONNE



HOLSTER
PINPOINTER



HIPMOUNT
CASE



SUPPORT
WS6



BRACELET
WS6



CLIP JACK
ADAPTOR



CABLE JACK
ADAPTOR



S-TELESCOPIC STEM



S-TELESCOPIC LITE STEM



CAR
CHARGER



XP BACKPACK
280



XP BACKPACK
240



XP FINDS
POUCH



KIT AERIAL
ANTENNA



XP CASE



GOLD PAN
STARTER



GOLD PAN
PREMIUM



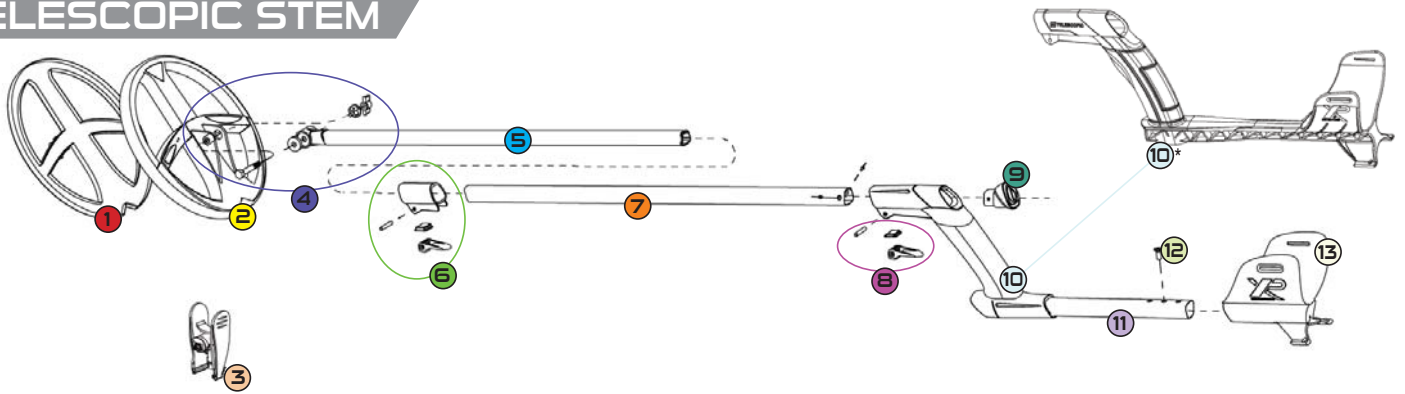
GOLD PAN
BATEA



GOLD PAN
VS1 RAMPE

SPARE PARTS

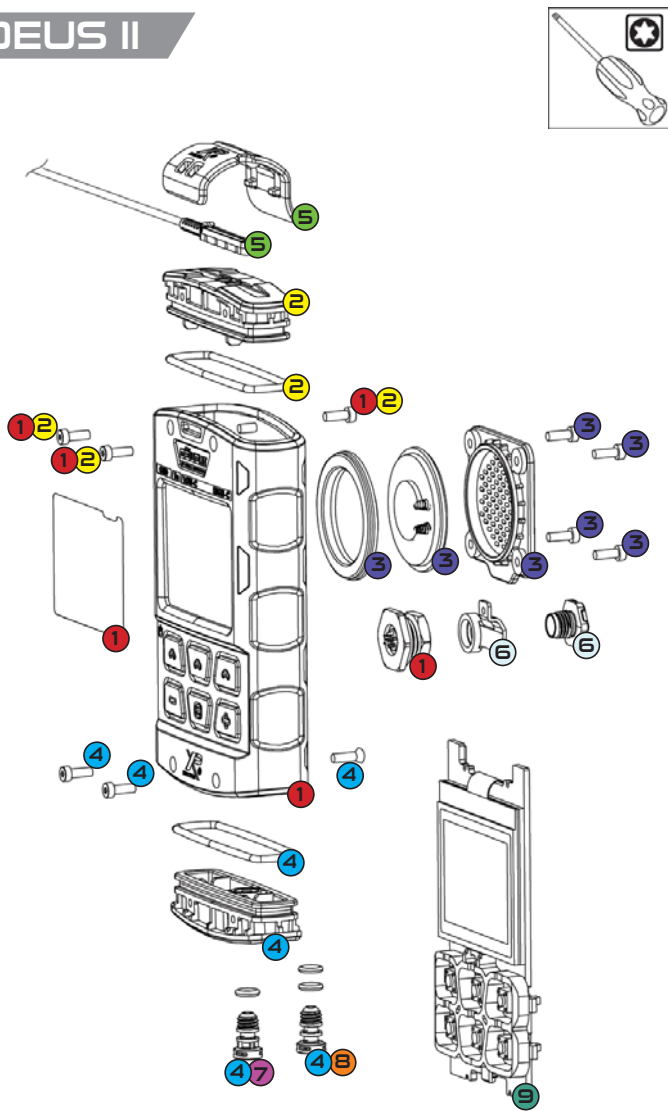
TELESCOPIC STEM



- 1 Coil Cover
- 2 Coil
- 3 D0894
- 4 D038D
- 5 Lower Stem
- 6 D041
- 7 D04
- 8 D061
- 9 D05B-A
- 10 D06 / D06BLACK +
- 11 D042
- 12 D072
- 13 D07

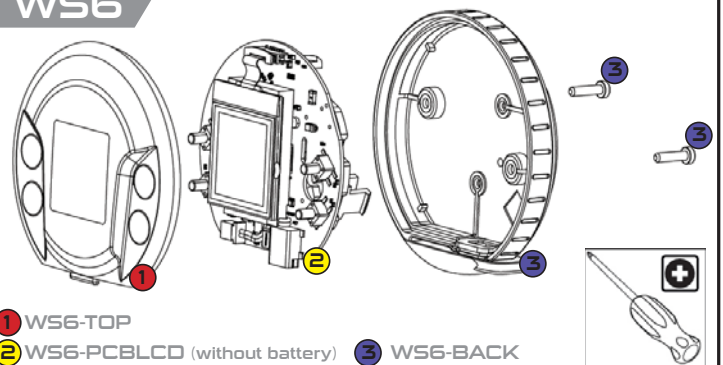


DEUS II



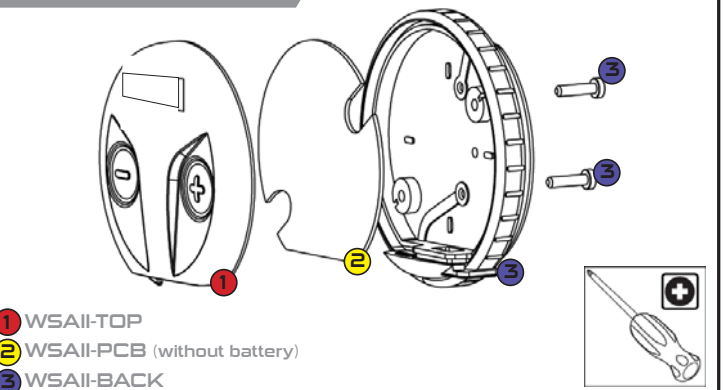
- 1 D2-RC1-MAIN
- 2 D2-RC1-TOP
- 3 D2-RC1-SPEAKER
- 4 D2-RC1-BOTTOM
- 5 D2-RC1-WAVE
- 6 D2-RC1-PLUG
- 7 D2-RC1-Aφ-φ12
- 8 D2-RC1-Aφ-φ13
- 9 D2-RC1-PCBLCD (without battery)

WS6



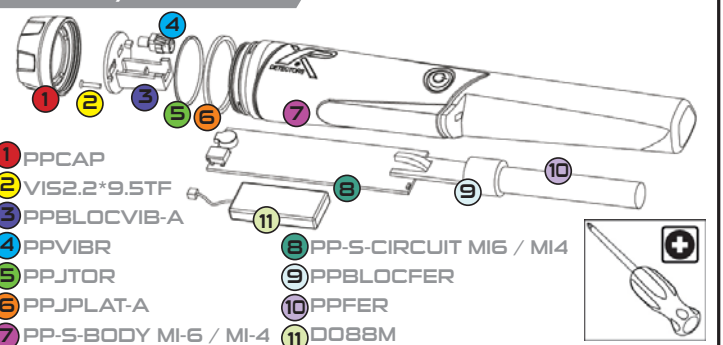
- 1 WS6-TOP
- 2 WS6-PCBLCD (without battery)
- 3 WS6-BACK

WS AUDIO II



- 1 WSAII-TOP
- 2 WSAII-PCB (without battery)
- 3 WSAII-BACK

MI-6 / MI-4



- 1 PPCAP
- 2 VIS2.2*9.5TF
- 3 PPBLOCVIB-A
- 4 PPVIBR
- 5 PPJTOR
- 6 PPJPLAT-A
- 7 PP-S-BODY MI-6 / MI-4
- 8 PP-S-CIRCUIT MI6 / MI4
- 9 PPBLOCFER
- 10 PPFER
- 11 D088M

Detecting is an activity which, like other leisure activities, requires a few general guidelines. These recommendations will enable everyone to enjoy their hobby to the full while respecting laws, places, the environment and other people.

Respect the law !

- Ensure you are informed of current legislation relating to discovery of treasure in order to abide by the law.
- Before prospecting on a site, obtain permission from its owner(s) or guardian(s).
- Respect the natural environment in which you are prospecting and any other places to which you need access.
- Systematically back-fill any holes you make so as to leave a site exactly how you found it.
- Keep any rubbish you find in order to dispose of it in a dustbin.
- Avoid detecting in areas where battles are known to have taken place during wartime. Exercise extreme caution with any suspect object resembling munitions, grenades, mines, shells, bombs, etc.
- notify the relevant authorities (police, local authorities, etc.) of any such object you find.

Remember that you are an ambassador for metal detecting and it is important that you convey a positive image!

DECLARATION OF CONFORMITY EU - IC - UKCA

This declaration is made under the responsibility of the manufacturer:

XPLORER SARL - 8 rue du Développement - F-31320 CASTANET-TOLOSAN

We, XPLORER, hereby certify that this detector complies with the essential requirements of European Directives RED 2014/53/EU, SECURITY 2014/35/EU, EMC 2014/30/EU, which aims to harmonise legislation in member states on the use of the radio spectrum, electromagnetic compatibility and electrical safety. Assessment of the device's compliance was carried out in accordance with the essential requirements of this directive and the harmonised standards:

- EMF: EN 62311 :2008
- DETECTION EU : ETSI EN 303454 V1.1.1
- RADIO EU : EN 300440 v2.1.1 ; ETSI EG 203367 V1.1.1
- RADIO USA : FCC 47 CFR part 15 :2019
- RADIO CANADA : RSS-210_Issue 9 :08/2016 (Modification 2017)
- SAFETY : IEC 60950-1 :12/2005 / AC1 :2006 / A1 :2009 / A2 :2013 ; IEC 62368-1 :2014
- EMC : ETSI EN 301489-1 :2019 V2.2.3 ; ETSI EN 301489-9 :2019 V2.1.1 ; Draft ETSI EN 301489-17 :2019 V3.2.2

For more information please contact:

XPLORER SARL - 8 rue du Développement - F-31320 CASTANET-TOLOSAN - FRANCE

This device complies with part 15 of the FCC Rules. Operation is subject to the following two conditions:
(1) This device may not cause harmful interference, and
(2) This device must accept any interference received, including interference that may cause undesired operation.

NOTE: The grantee is not responsible for any changes or modifications not expressly approved by the party responsible for compliance. Such modifications could void the user's authority to operate the equipment.



SAFETY RELATING TO ELECTROMAGNETIC RADIO WAVES

This product complies with standards for user safety with regard to electromagnetic waves. The strength of the radio signals used is considerably weaker and on a much smaller scale than those emitted by mobile telephones (2,000 to 4,000 times weaker), as well as being much less than those used by Wi-Fi systems. Moreover, when the complete system is used, the audio headphones only act as a passive radio receiver.

The accessories delivered with these detectors may vary, and similarly the menus and certain features described in this manual may differ slightly from the product purchased.

This detector is not suitable for applications involving the search for dangerous targets such as munitions, mines, etc.

Recycling of electrical and electronic waste in the European Union and the other countries / regions in accordance with selective waste sorting procedures



If this symbol is displayed on the product or its packaging, it means that the product must not be disposed of with your household waste. You must take it to a designated collection point for recycling electrical and electronic waste. This selective waste sorting and recycling helps to preserve natural resources and avoid any potential risks for human health and the environment that could result from inappropriate scrapping, due to the possible presence of dangerous substances in the electric and electronic equipment. For more information on places where you

can take your electrical waste, please contact the shop where you purchased this product. Alternatively you can return it to your supplier, or directly to XP. The same is true for the lithium batteries which must be recycled appropriately.

© 2021 Xplorer sarl

This document contains information that is protected by existing legislation on copyright, brands and royalties.

Any reproduction, even partial, of this document, the logos or the XP and Dêus brands is prohibited without the agreement of:

XPLORER SARL - 8 rue du Développement - F-31320 CASTANET-TOLOSAN - FRANCE

PRECAUTION FOR USE

Dêus II is a precision device, designed to be as robust as possible. Despite this, it is important to take care of it and exercise certain precautions in order to prolong its life:

- Do not store your device for long periods with discharged batteries.
- Ideally you should discharge/recharge the batteries at least once a month, and if possible store them 40 to 80% of charge to extend their lifespan beyond 5 years.
- Do not expose your detector to extreme temperatures, particularly inside a car in full sun.
- Do not expose your detector to the sun without reason when it is not being used.
- Use the storage case that is supplied with the headphones and never carry them at the bottom of a bag without protection.
- Use the case that is supplied with the remote control to protect it in adverse conditions, and when the detector is stored away.
- Depending on how you use your detector, it may be advisable to clean its elements regularly. A damp cloth can be used to clean the non-waterproof parts (headphones and remote control).
- In salty conditions, rinsing with clear water is mandatory for the remote control, the disc and the BH-01 headphones. Do not use solvents or alcohol.
- After use, remove any dirt from the stem's locking mechanisms.
- The power supply unit is intended for indoor use only, connect it in a visible and accessible place. Unplug it after use, in case of overheating or any other suspicious event.
- The equipment must be recharged using a SELV LPS power supply.