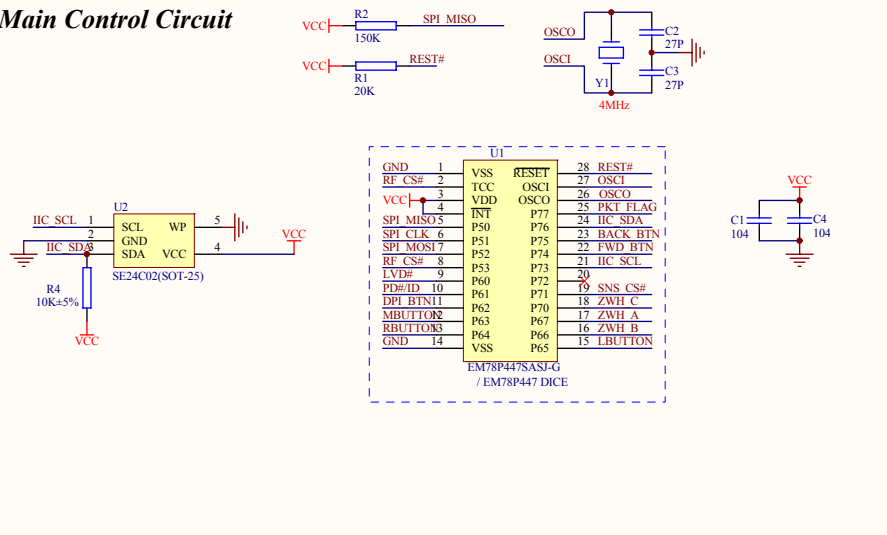
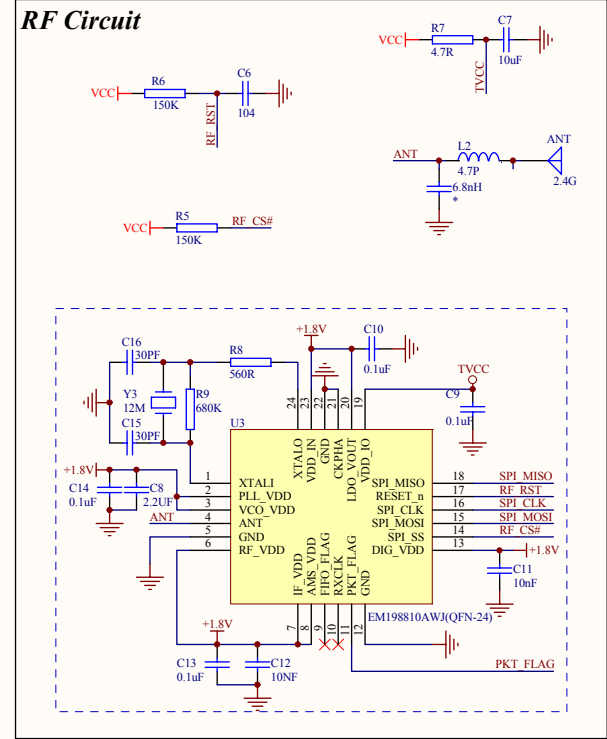


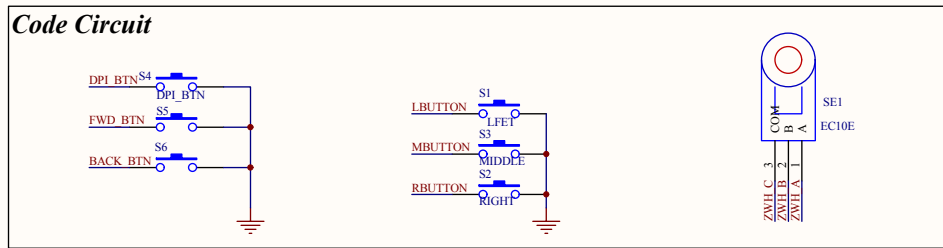
Main Control Circuit



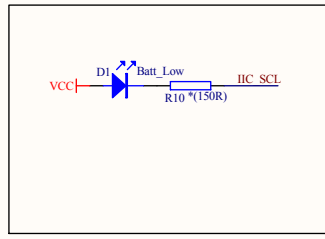
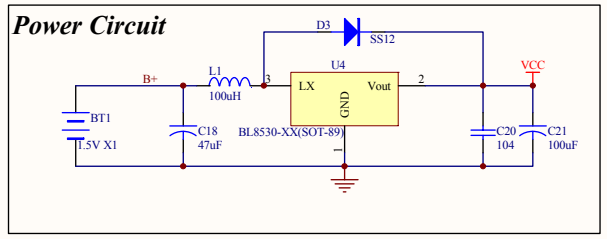
RF Circuit



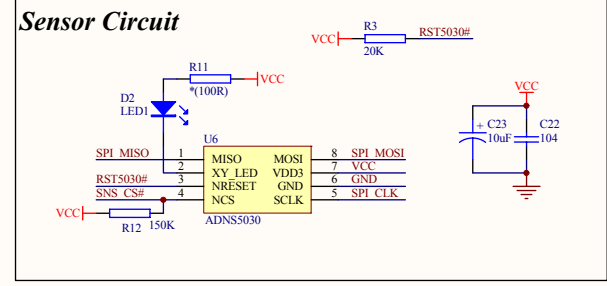
Code Circuit



Power Circuit



Sensor Circuit



Title	SI903-5030 V1.4	
Size	Number	Revision
A3		
Date	4-Nov-2008	