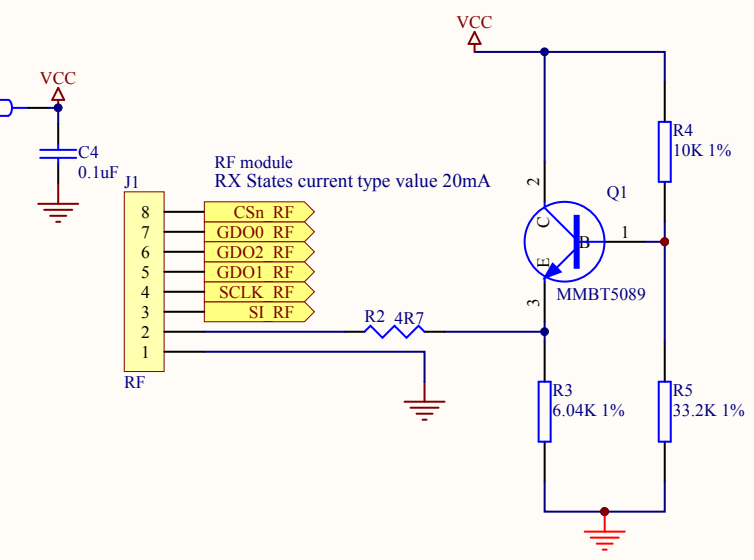
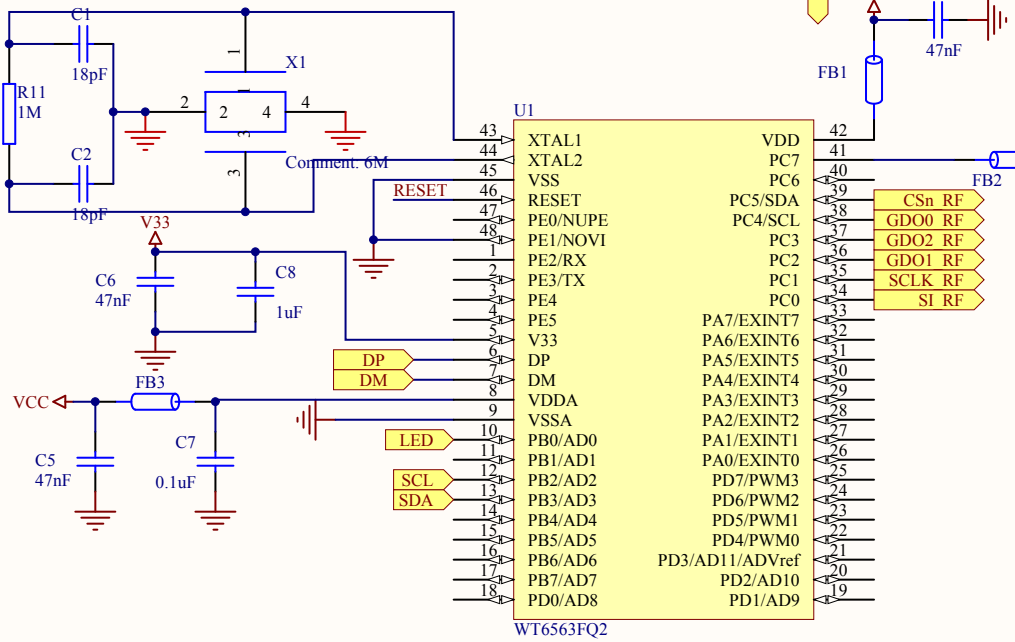
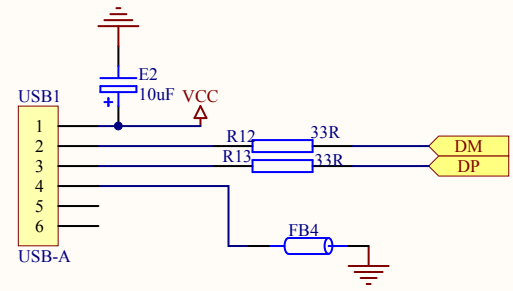
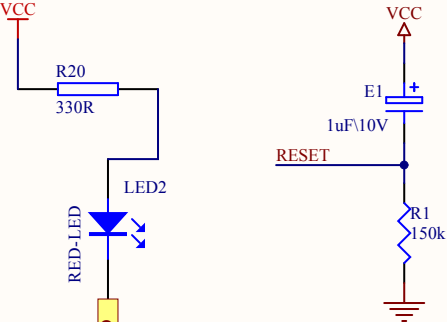
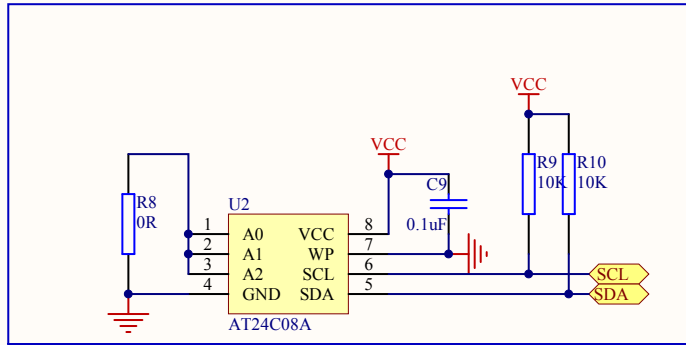


Version	Revision Note	(Date)
V1.0	原始发放	06. 04. 09



Title		
Size	Number	Revision
A		
Date:	2011-12-8	Sheet of
File:	E:\ \P4097\HY-P4097-2-03-03.Sch	Drawn By: