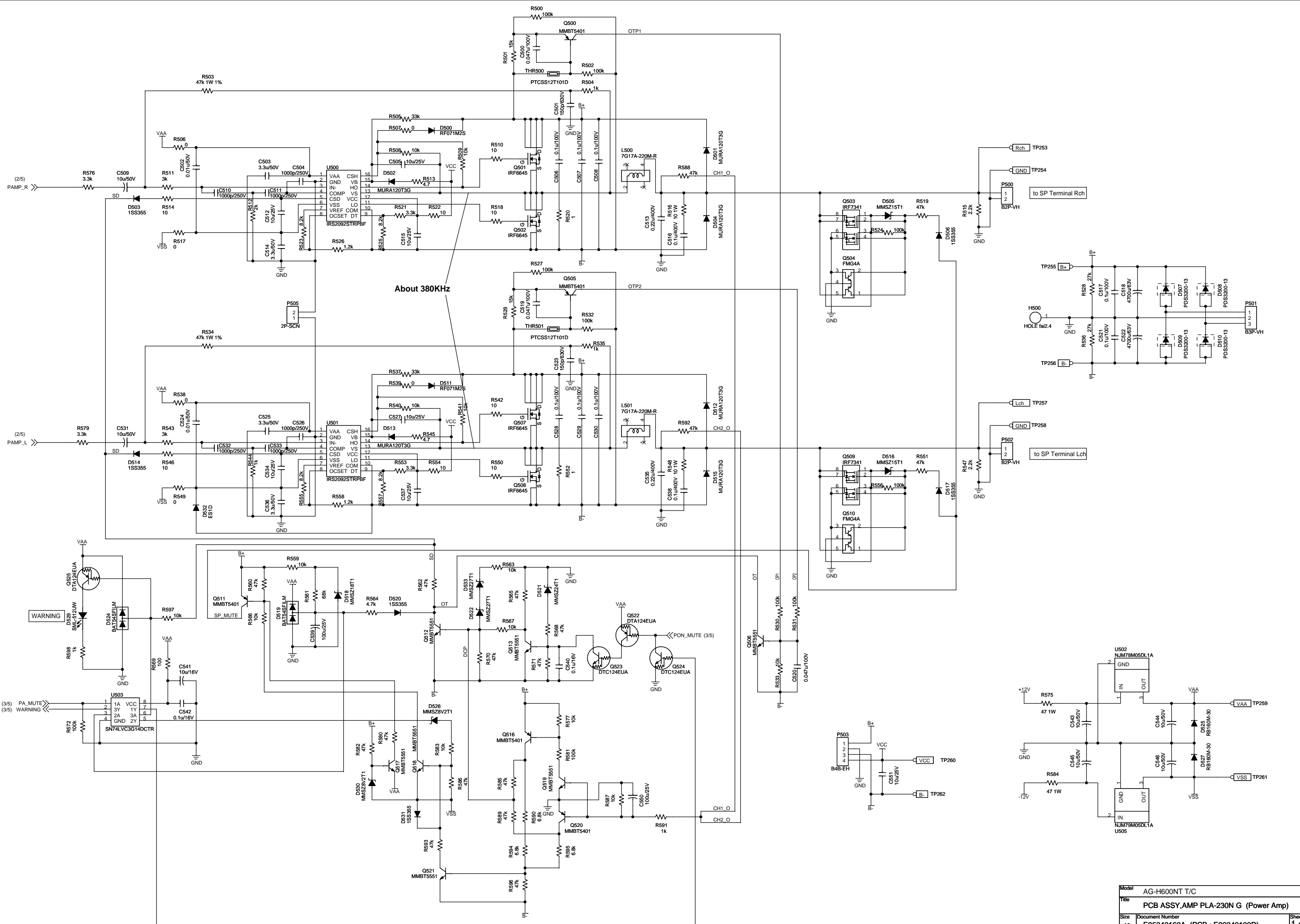


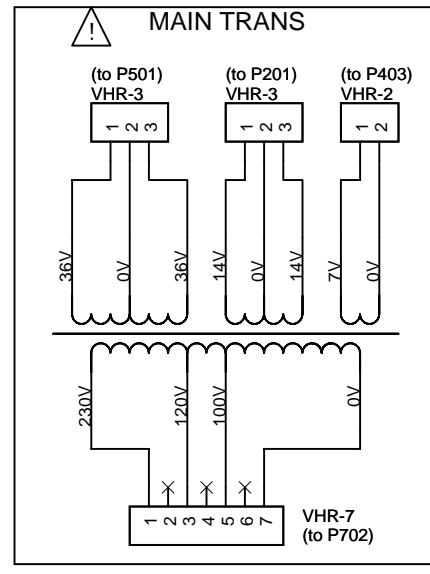
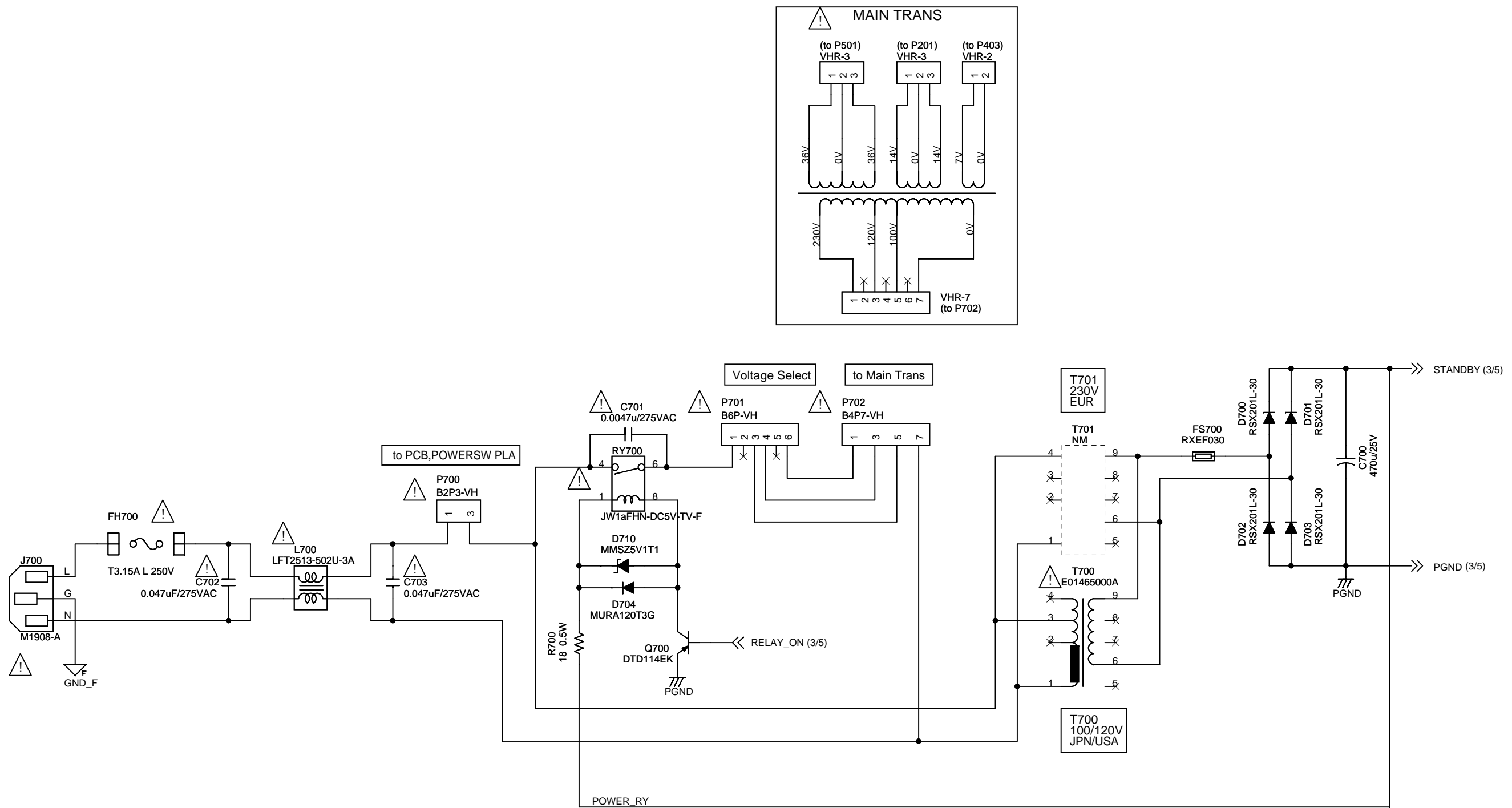
X-Tal : 25.0MHz

Model	AG-H600NT T/C		
Title	PCB ASSY_AMP PLA-230N G (Control)		
Size	Document Number	Sheet 3 / 5	
A2	E95340160A (PCB : E90340100D)		
Date:	Friday, April 17, 2009	Rev.	1.0

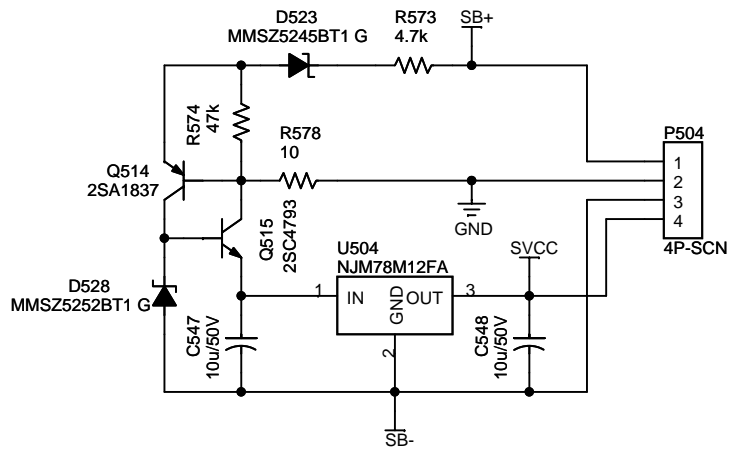


About 380KHz

Model	AG-H600NT T/C		
Title	PCB ASSY,AMP PLA-230N G (Power Amp)		
Size	Document Number	Sheet	4 / 5
A2	E95340160A (PCB : E90340100D)		
Date:	Friday, April 17, 2009	Rev.	1.0



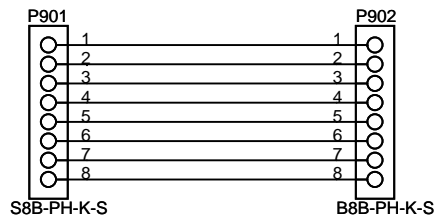
Model	AG-H600NT T/C	
Title	PCB ASSY,AMP PLA-230N G (AC Input)	
Size	Document Number	Sheet
A3	E95340160A (PCB : E90340100D)	5 / 5
Date:	Friday, April 17, 2009	Rev. 1.0



# AG-H600NT/DNT

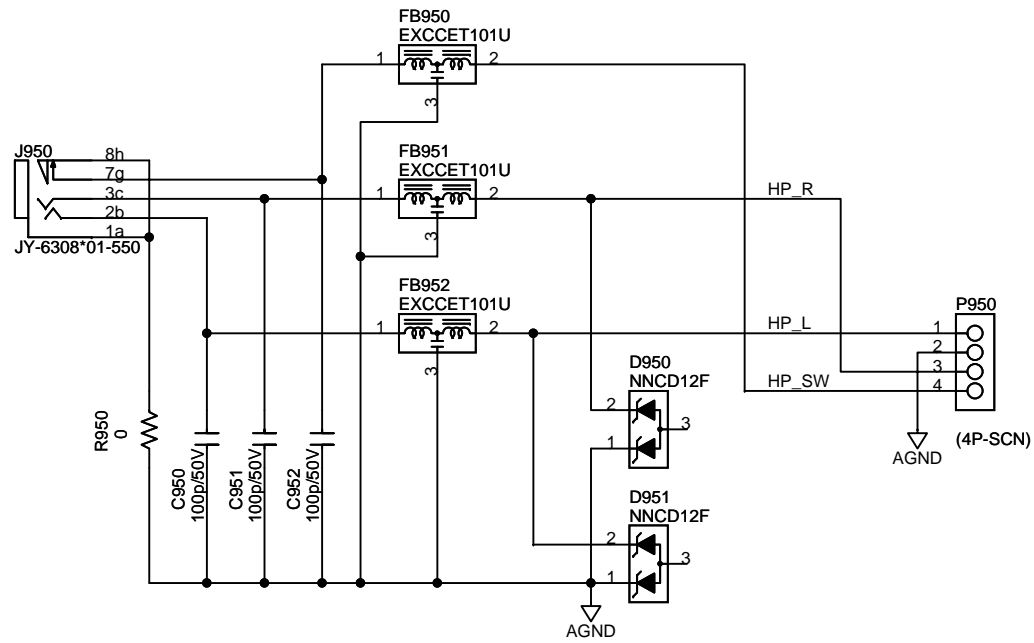
E90347800D GATHER PCB,AMP PLA G

Model		AG-H600 series	
Title		PCB ASSY,AMP PWR PLA G	
Size	Document Number	Sheet	
A4	E95347700A (PCB : E90347700C)	1 / 1	
Date:	Wednesday, March 25, 2009	Rev. 1.0	

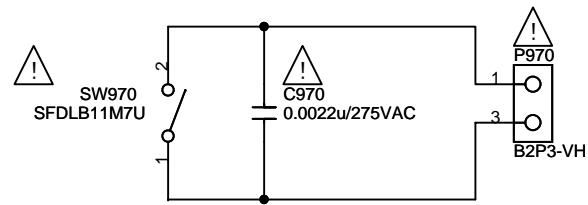


Model		AG-H600 series	
Title		PCB ASSY,F/W-UD PLA G	
Size	Document Number	Sheet	
A4	E95347600A (PCB : E90347600A)	1 / 1	
Date:	Wednesday, March 25, 2009	Rev.	1.0

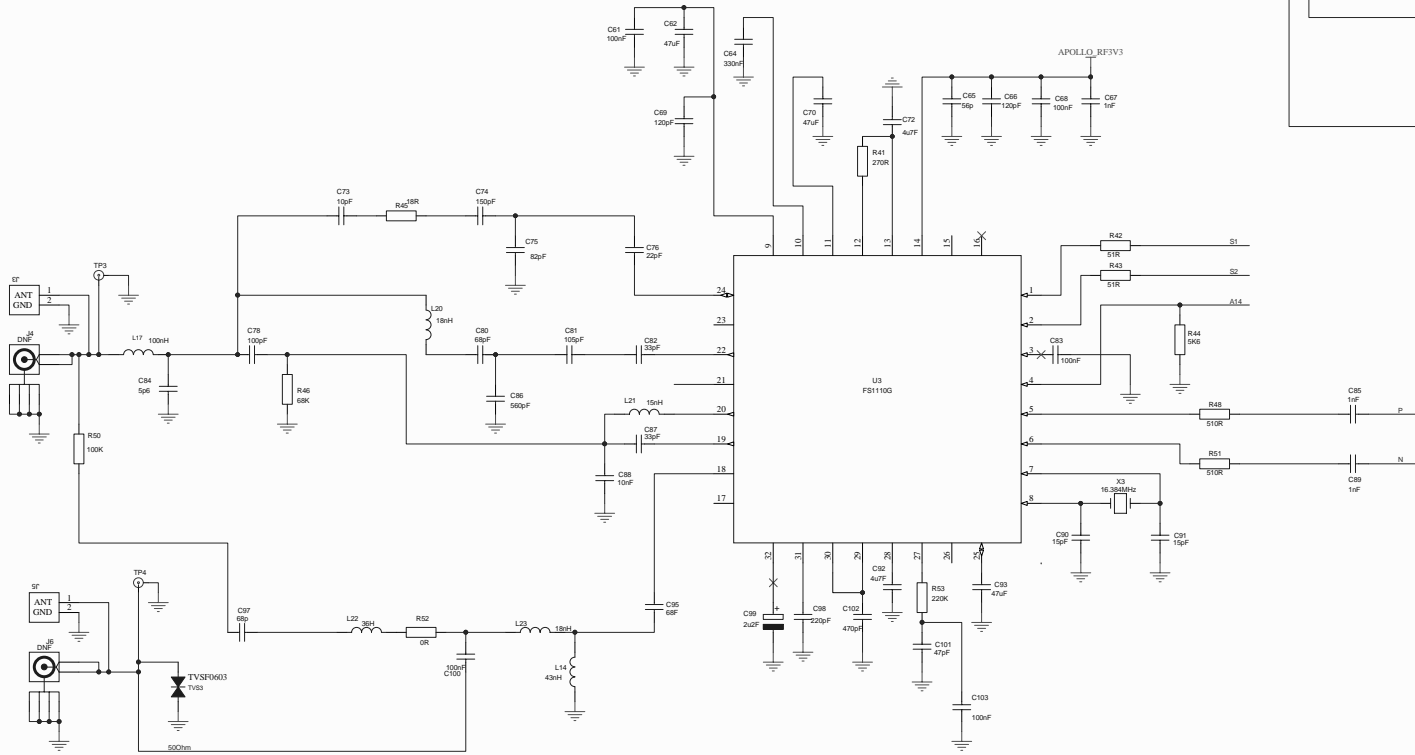
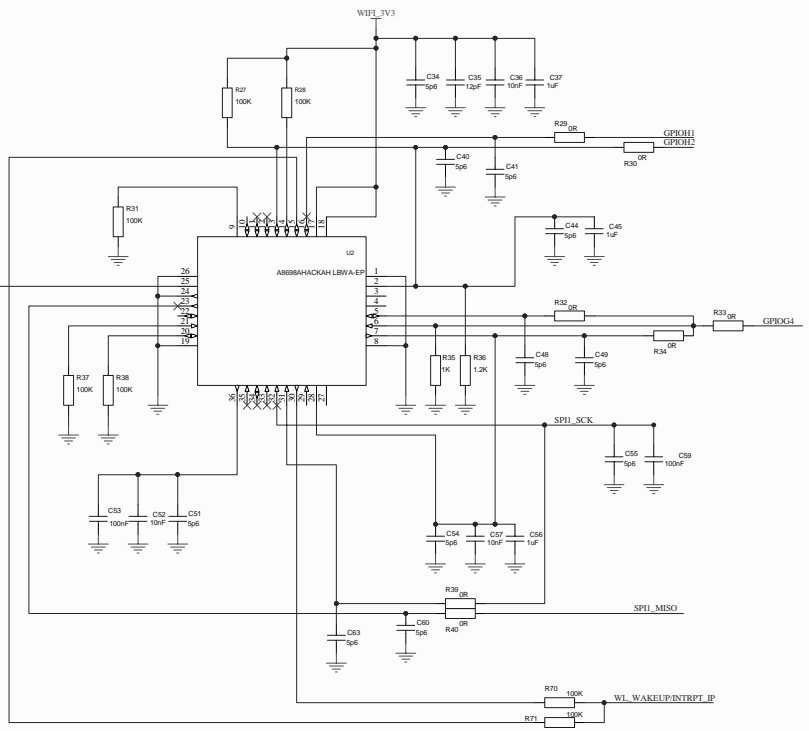
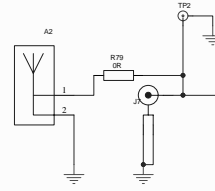
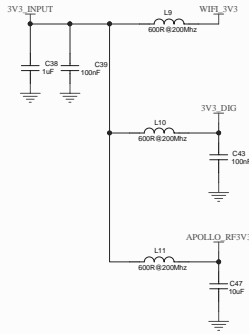




Model	AG-H600 series	
Title	PCB ASSY,HP PLA G	
Size	Document Number	Sheet
A4	E95340300A (PCB : E90340300A)	1 / 1
Date:	Monday, March 23, 2009	Rev. 1.0



Model		AG-H600 series	
Title		PCB ASSY,POWER SW PLA G	
Size	Document Number	Sheet	
A4	E95340400A (PCB : E90340400A)	1 / 1	
Date:	Wednesday, March 25, 2009	Rev.	1.0



THE INFORMATION CONTAINED WITHIN THIS DRAWING IS CONFIDENTIAL AND THE EXCLUSIVE INTELLECTUAL PROPERTY OF FRONTIER SILICON LTD IT MAY BE USED ONLY FOR THE PURPOSE FOR WHICH IT IS SUPPLIED. AND SHOULD NOT BE REPRODUCED STORED OR DISSEMINATED TO THIRD PARTIES BY ANY MEANS IN WHLOE OR IN PART WITHOUT THE EXPRESS WRITTEN PERMISSION OF FRONTIER SILICON LTD

Title		Venice 6.0 Circuit Diagram	
Number: FS00040		Revision: 1	
Drawn	Date	Sheet	2 of 3

Cannot open file H:\Protel\Frontier Logs.bmp.bmp

DALES MANOR BUSINESS PARK  
BABRAHAM ROAD, SAWSTON  
CAMBRIDGE, CB2 4LJ, UK  
TEL +44 (0) 1223 837666  
FAX +44 (0) 1223 836761