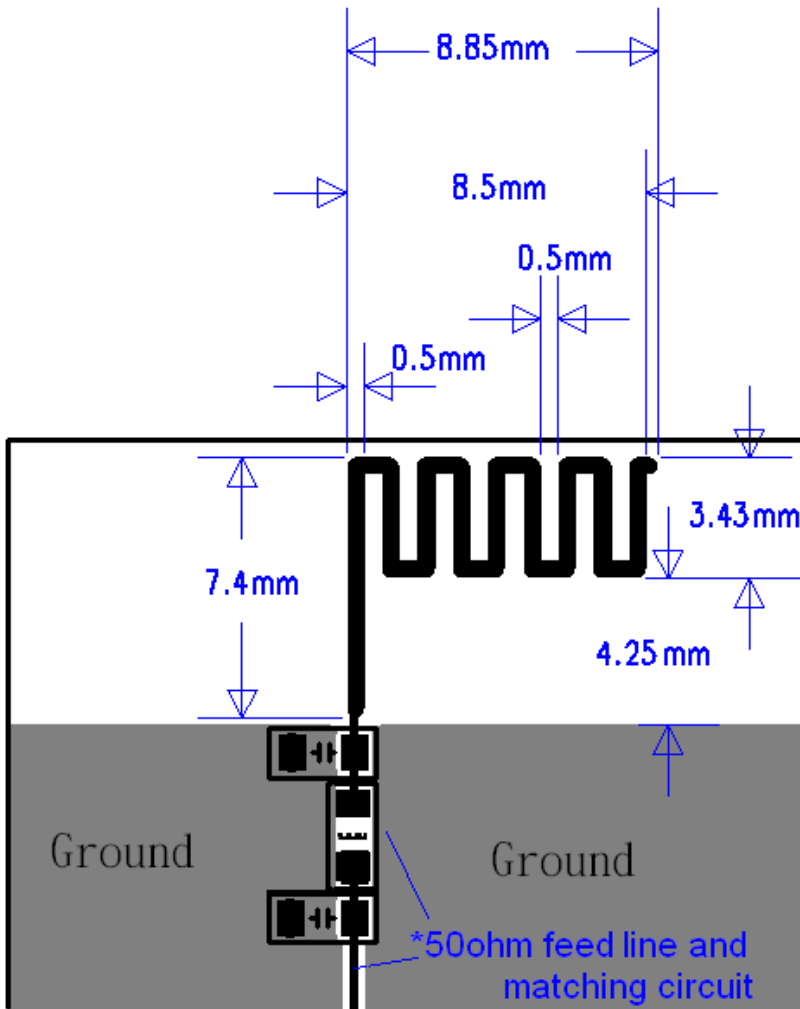


Antenna Specifications

(A).Printed antenna pattern:

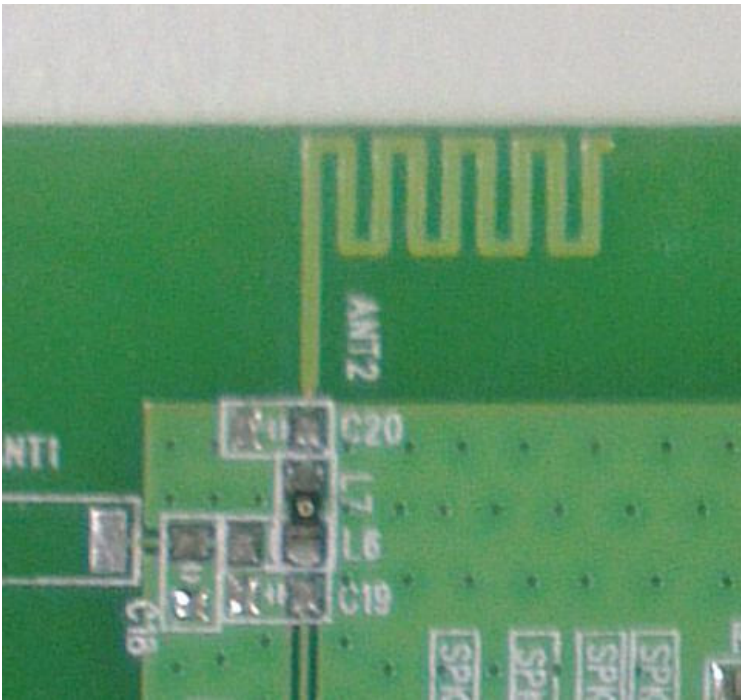


* 50 ohm feed line should be designed to match 50Ω characteristic impedance, depending on PCB material and thickness

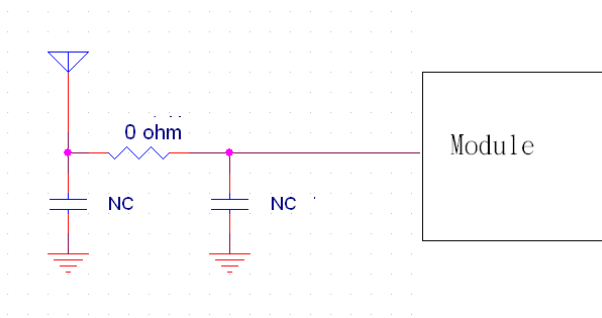
Manufacturer : Dongguan TEAC Electronics Co.,Ltd.

Adress:Building D 5-6 floors No.1 Shangxing Lu Shangjiao Chang-an Town,Dongguan City,Guangdong, Province,CHina

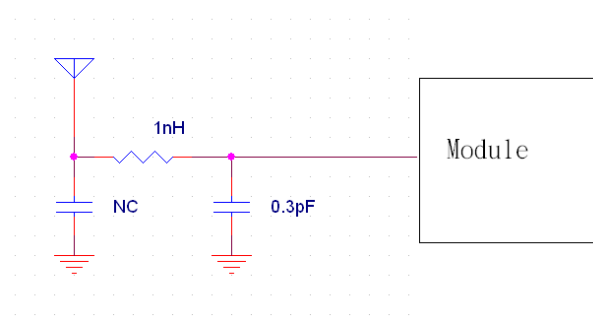
(B) Test Board:



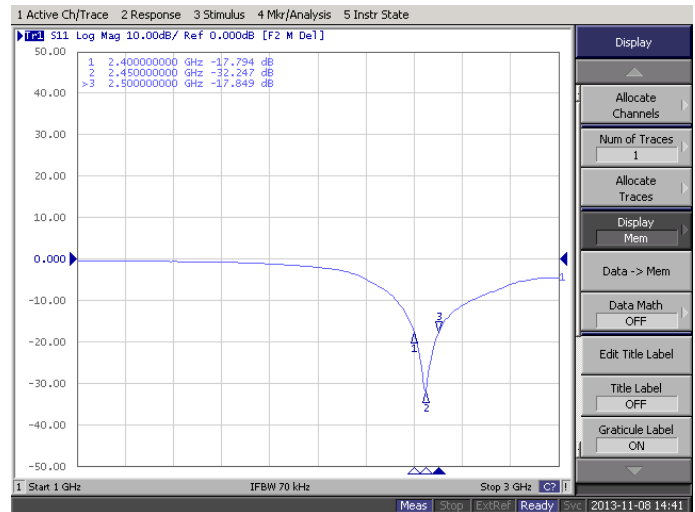
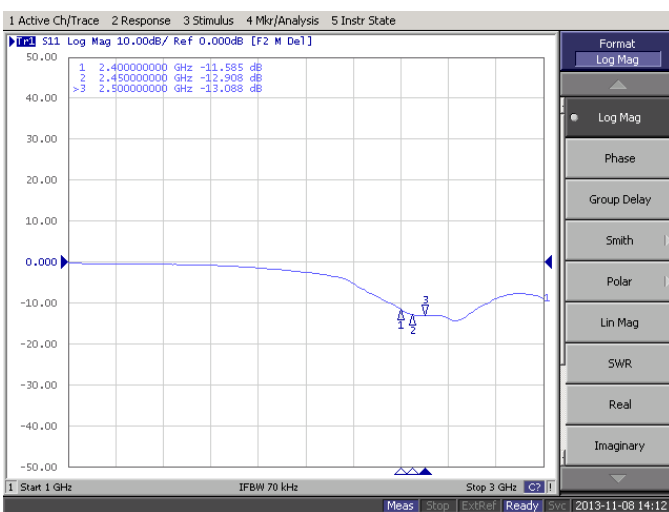
(B1). Without matching circuit:



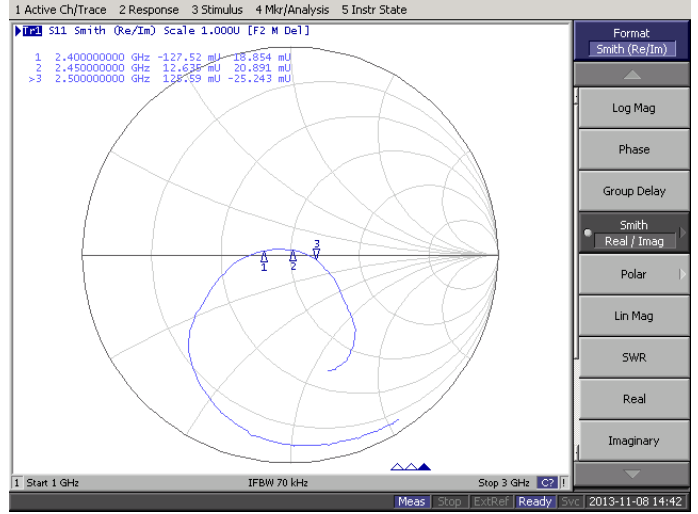
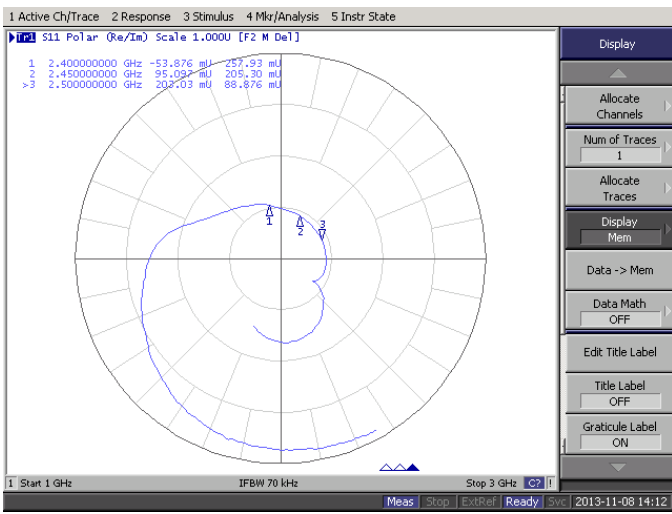
(B2). With matching circuit:



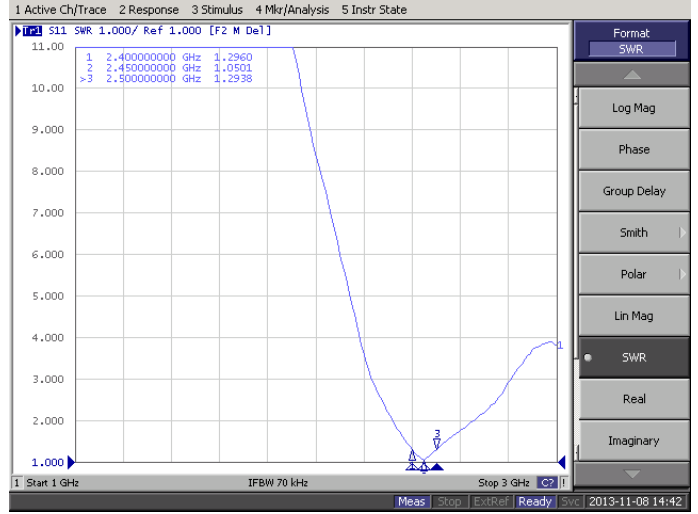
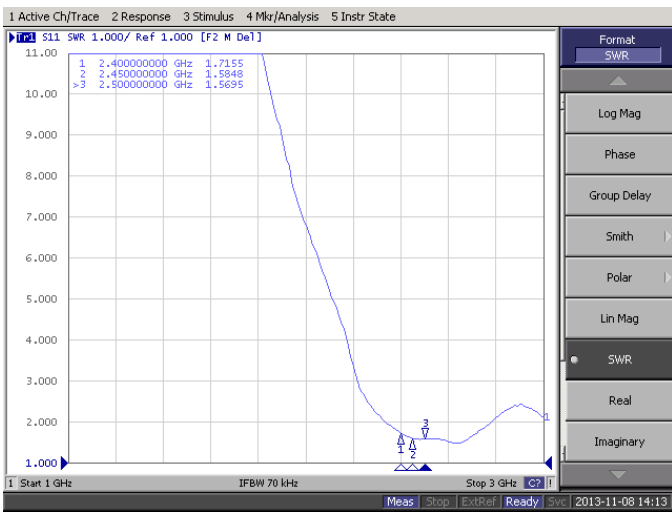
Return loss



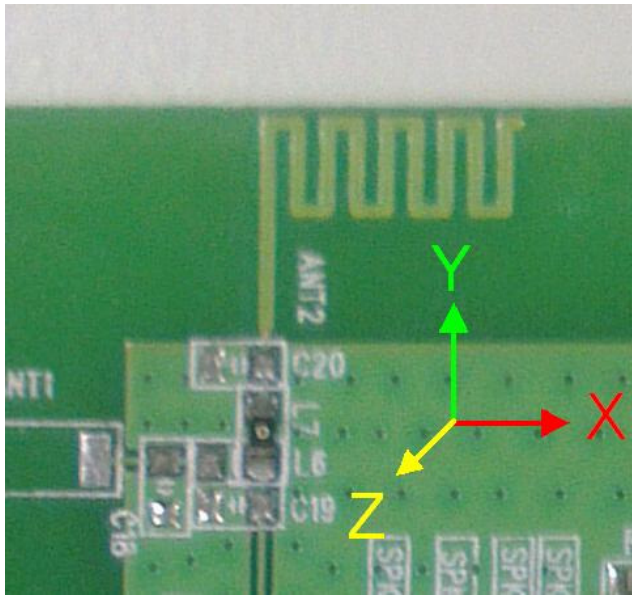
Smith chart



VSWR



(C) Radiation Patterns of test board (with matching)



Gain Table(Unit :dBi):

@2.45GHz	Peak gain	Avg. gain
X-Y-H	1.54	-3.43
X-Y-V	-10.16	-17.17
X-Z-H	-1.95	-6.09
X-Z-V	1.1	-3.06
Y-Z-H	-1.56	-6.94
Y-Z-V	-1.4	-3.54

X-Y cut @2.45GHz

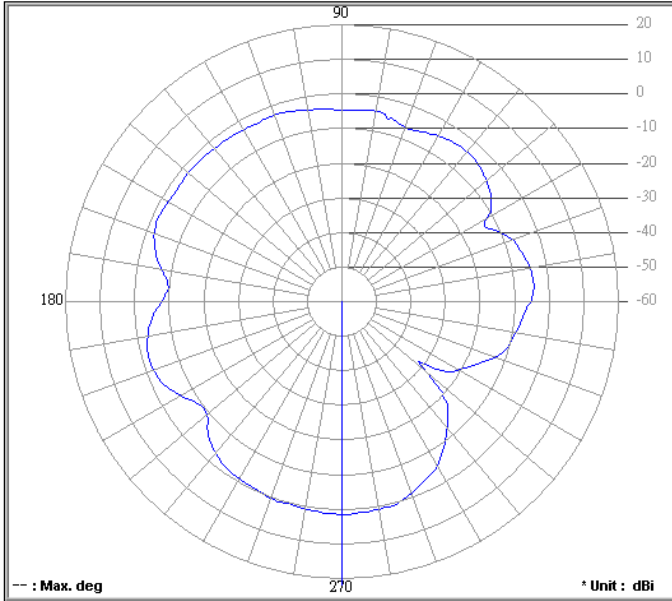


香港商立德國際商品試驗有限公司統圖分公司

Bureau Veritas Consumer Products Services (H.K.) Ltd., Taoyuan Branch [Bureau Veritas ADT]
www.adt.com.hk | Hwa Yeh Lab & Head Office, Tel: +886-3-3182222 / Linkou EMC/RF Lab, Tel: +886-2-26262180 / Hsinchu EMC/RF Lab, Tel: +886-3-6935343

Brand / Model : Printed Antenna
Remark : TX Mode, EUT X-Y, 2450 MHz
Sample No. 01
Tested by : CS(LOOK)

Location: **RF Chamber C** Date: **2013/11/27** Time: **下午 03:06:04**
Temperature (°C): **25** Humidity (%): **75** Approved by:



Frequency (MHz) : **2450.00** Antenna Polarity : **Horizontal** Average Value (dBi) : **-3.43**
Maximum Value (dBi) : **1.54** Maximum Value (degree) : **270**
Minimum Value (dBi) : **-32.08** Minimum Value (degree) : **322**
V6.2

D:\測試程式\Antenna Pattern V6.1\Graph\1127\11270007.png

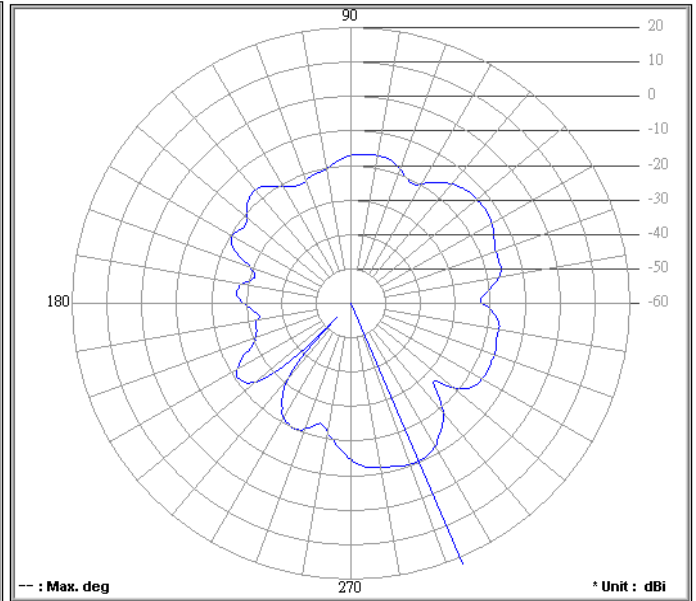


香港商立德國際商品試驗有限公司統圖分公司

Bureau Veritas Consumer Products Services (H.K.) Ltd., Taoyuan Branch [Bureau Veritas ADT]
www.adt.com.hk | Hwa Yeh Lab & Head Office, Tel: +886-3-3182222 / Linkou EMC/RF Lab, Tel: +886-2-26262180 / Hsinchu EMC/RF Lab, Tel: +886-3-6935343

Brand / Model : Printed Antenna
Remark : TX Mode, EUT X-Y, 2450 MHz
Sample No. 01
Tested by : CS(LOOK)

Location: **RF Chamber C** Date: **2013/11/27** Time: **下午 03:07:55**
Temperature (°C): **25** Humidity (%): **75** Approved by:



Frequency (MHz) : **2450.00** Antenna Polarity : **Vertical** Average Value (dBi) : **-17.17**
Maximum Value (dBi) : **-10.16** Maximum Value (degree) : **293**
Minimum Value (dBi) : **-54.18** Minimum Value (degree) : **226**
V6.2

D:\測試程式\Antenna Pattern V6.1\Graph\1127\11270008.png

X-Z cut @2.45GHz

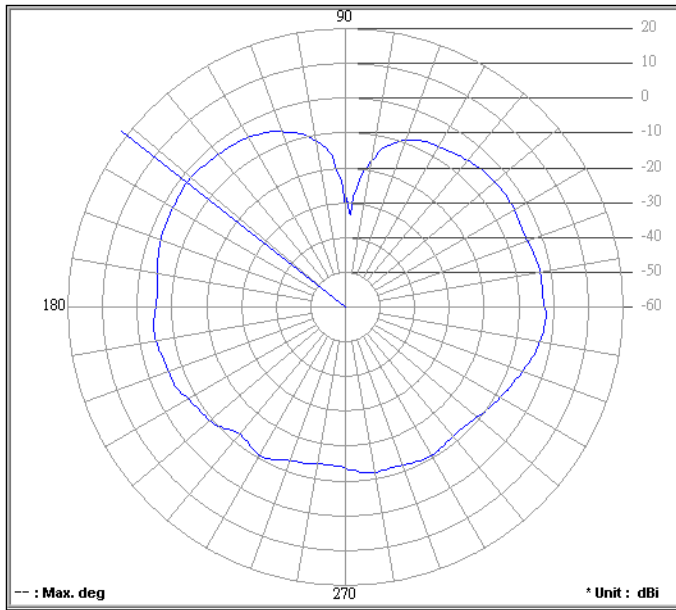


香港商立德國際商品試驗有限公司桃園分公司

ADT Bureau Veritas Consumer Products Services (H.K.) Ltd., Taoyuan Branch [Bureau Veritas ADT]
www.adt.com.tw Hwa Ya Lab & Head Office, Tel +886-3-3163222 / Linkou EMC/RF Lab, Tel +886-2-29521180 / Hsinchu EMC/RF Lab, Tel +886-3-6936343

Brand / Model : Printed Antenna
Remark : 2450MHz , EUT X-Z
Sample No. 1
Tested by : Gary

Location: **RF Chamber C** Date: **2013/11/29** Time: **上午 11:04:29**
Temperature (°C): **25** Humidity (%): **60** Approved by:



Frequency (MHz): **2450.00** Antenna Polarity: **Horizontal** Average Value (dBi): **-6.09**
Maximum Value (dBi): **-1.95** Maximum Value (degree): **142**
Minimum Value (dBi): **-33.41** Minimum Value (degree): **87** V6.2

D:\測品程式\Antenna Pattern V6.1\Graph\1129\11290005.png

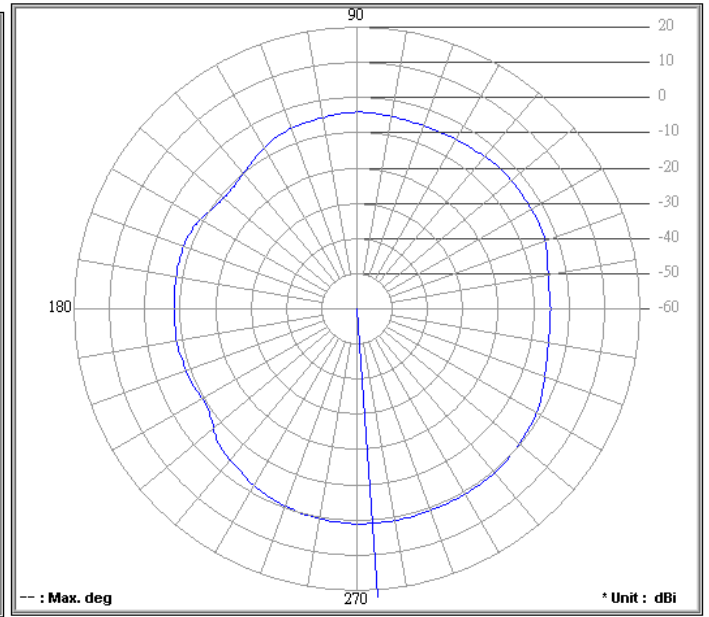


香港商立德國際商品試驗有限公司桃園分公司

ADT Bureau Veritas Consumer Products Services (H.K.) Ltd., Taoyuan Branch [Bureau Veritas ADT]
www.adt.com.tw Hwa Ya Lab & Head Office, Tel +886-3-3163222 / Linkou EMC/RF Lab, Tel +886-2-29521180 / Hsinchu EMC/RF Lab, Tel +886-3-6936343

Brand / Model : Printed Antenna
Remark : 2450MHz , EUT X-Z
Sample No. 1
Tested by : Gary

Location: **RF Chamber C** Date: **2013/11/29** Time: **上午 11:06:25**
Temperature (°C): **25** Humidity (%): **60** Approved by:



Frequency (MHz): **2450.00** Antenna Polarity: **Vertical** Average Value (dBi): **-3.06**
Maximum Value (dBi): **1.10** Maximum Value (degree): **274**
Minimum Value (dBi): **-10.94** Minimum Value (degree): **139** V6.2

D:\測品程式\Antenna Pattern V6.1\Graph\1129\11290006.png

Y-Z cut @2.45GHz



香港商立德國際商品試驗有限公司桃園分公司

A D T Bureau Veritas Consumer Products Services (H.K.) Ltd., Taoyuan Branch [Bureau Veritas ADT]
www.adt.com.hk Hwa Yeh Lab & Head Office, Tel +886-3-3183332 / Unkou EMO/RF Lab, Tel +886-2-26262180 / Hsinchu EMO/RF Lab, Tel +886-3-6936343

Brand / Model : Printed Antenna
Remak : 2450MHz , EUT Y-Z
Sample No. 1
Tested by : Gary



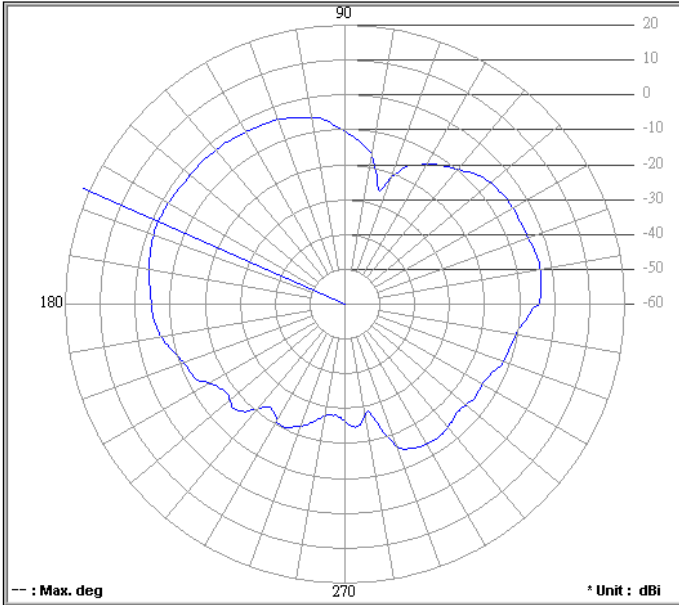
香港商立德國際商品試驗有限公司桃園分公司

A D T Bureau Veritas Consumer Products Services (H.K.) Ltd., Taoyuan Branch [Bureau Veritas ADT]
www.adt.com.hk Hwa Yeh Lab & Head Office, Tel +886-3-3183332 / Unkou EMO/RF Lab, Tel +886-2-26262180 / Hsinchu EMO/RF Lab, Tel +886-3-6936343

Brand / Model : Printed Antenna
Remak : 2450MHz , EUT Y-Z
Sample No. 1
Tested by : Gary

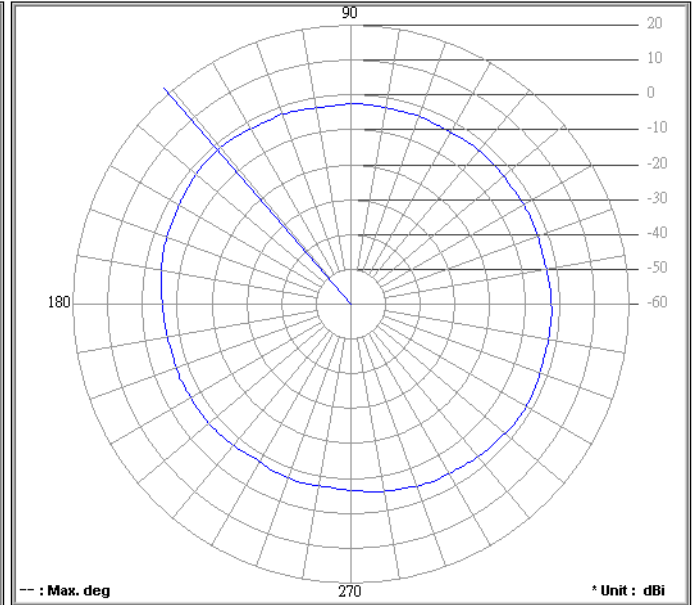
Location: **RF Chamber C** Date: **2013/11/29** Time: **下午 12:15:15**
Temperature (°C): **25** Humidity (%): **60** Approved by:

Location: **RF Chamber C** Date: **2013/11/29** Time: **上午 11:10:08**
Temperature (°C): **25** Humidity (%): **60** Approved by:



Frequency (MHz): **2450.00** Antenna Polarity : **Horizontal** Average Value (dBi) : **-6.94**
Maximum Value (dBi) : **-1.56** Maximum Value (degree) : **156**
Minimum Value (dBi) : **-28.60** Minimum Value (degree) : **282** V6.2

D:\測試程式\Antenna Pattern V6.1\Graph\1129\11290010.png



Frequency (MHz): **2450.00** Antenna Polarity : **Vertical** Average Value (dBi) : **-3.54**
Maximum Value (dBi) : **-1.40** Maximum Value (degree) : **131**
Minimum Value (dBi) : **-7.75** Minimum Value (degree) : **239** V6.2

D:\測試程式\Antenna Pattern V6.1\Graph\1129\11290007.png