

TEAC

D01252920A

NT-503

ENGLISH

FRANÇAIS

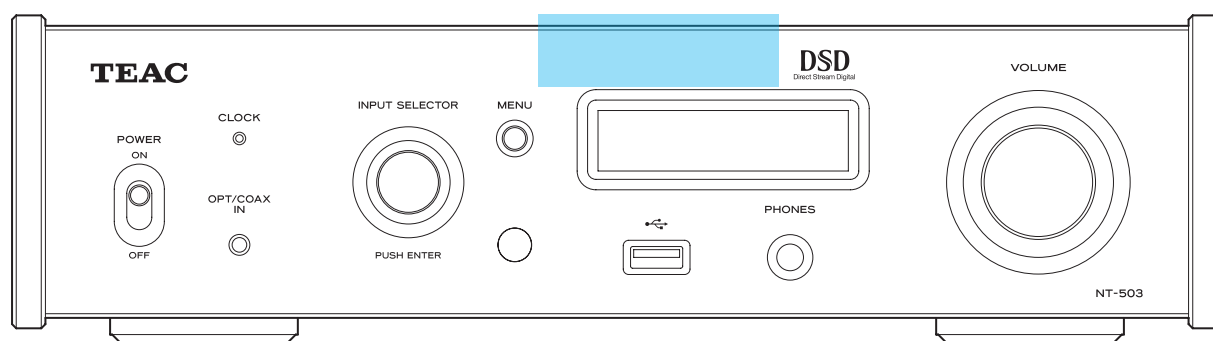
ESPAÑOL

USB DAC/ Network Player

OWNER'S MANUAL

MODE D'EMPLOI

MANUAL DEL USUARIO



IMPORTANT SAFETY INSTRUCTIONS



The lightning flash with arrowhead symbol, within an equilateral triangle, is intended to alert the user to the presence of uninsulated "dangerous voltage" within the product's enclosure that may be of sufficient magnitude to constitute a risk of electric shock to persons.



The exclamation point within an equilateral triangle is intended to alert the user to the presence of important operating and maintenance (servicing) instructions in the literature accompanying the appliance.

WARNING: TO PREVENT FIRE OR SHOCK HAZARD, DO NOT EXPOSE THIS APPLIANCE TO RAIN OR MOISTURE.

CAUTION

- DO NOT REMOVE THE EXTERNAL CASES OR CABINETS TO EXPOSE THE ELECTRONICS. NO USER SERVICEABLE PARTS ARE INSIDE.
- IF YOU ARE EXPERIENCING PROBLEMS WITH THIS PRODUCT, CONTACT THE STORE WHERE YOU PURCHASED THE UNIT FOR A SERVICE REFERRAL. DO NOT USE THE PRODUCT UNTIL IT HAS BEEN REPAIRED.
- USE OF CONTROLS OR ADJUSTMENTS OR PERFORMANCE OF PROCEDURES OTHER THAN THOSE SPECIFIED HEREIN MAY RESULT IN HAZARDOUS RADIATION EXPOSURE.

- 1) Read these instructions.
 - 2) Keep these instructions.
 - 3) Heed all warnings.
 - 4) Follow all instructions.
 - 5) Do not use this apparatus near water.
 - 6) Clean only with dry cloth.
 - 7) Do not block any ventilation openings. Install in accordance with the manufacturer's instructions.
 - 8) Do not install near any heat sources such as radiators, heat registers, stoves, or other apparatus (including amplifiers) that produce heat.
 - 9) Do not defeat the safety purpose of the polarized or grounding-type plug. A polarized plug has two blades with one wider than the other. A grounding type plug has two blades and a third grounding prong. The wide blade or the third prong are provided for your safety. If the provided plug does not fit into your outlet, consult an electrician for replacement of the obsolete outlet.
 - 10) Protect the power cord from being walked on or pinched particularly at plugs, convenience receptacles, and the point where they exit from the apparatus.
 - 11) Only use attachments/accessories specified by the manufacturer.
 - 12) Use only with the cart, stand, tripod, bracket, or table specified by the manufacturer, or sold with the apparatus. When a cart is used, use caution when moving the cart/apparatus combination to avoid injury from tip-over.
 - 13) Unplug this apparatus during lightning storms or when unused for long periods of time.
 - 14) Refer all servicing to qualified service personnel. Servicing is required when the apparatus has been damaged in any way, such as power-supply cord or plug is damaged, liquid has been spilled or objects have fallen into the apparatus, the apparatus has been exposed to rain or moisture, does not operate normally, or has been dropped.
- The apparatus draws nominal non-operating power from the AC outlet with its POWER or STANDBY/ON switch not in the ON position.
 - The power plugs are used as disconnect devices; the disconnect devices shall remain readily operable.
 - Caution should be taken when using earphones or headphones with the product because excessive sound pressure (volume) from earphones or headphones can cause hearing loss.



CAUTION

- Do not expose this apparatus to drips or splashes.
- Do not place any objects filled with liquids, such as vases, on the apparatus.
- Do not install this apparatus in a confined space such as a book case or similar unit.
- The apparatus should be located close enough to the AC outlet so that you can easily reach the power cord plug at any time.
- If the product uses batteries (including a battery pack or installed batteries), they should not be exposed to sunshine, fire or excessive heat.
- CAUTION for products that use replaceable lithium batteries: there is danger of explosion if a battery is replaced with an incorrect type of battery. Replace only with the same or equivalent type.

WARNING

Products with Class I construction are equipped with a power supply cord that has a grounding plug. The cord of such a product must be plugged into an AC outlet that has a protective grounding connection.

IN USA/CANADA, USE ONLY ON 120 V SUPPLY.

Precautions concerning batteries

Misuse of batteries could cause them to rupture or leak leading to fire, injury or the staining of nearby things. Please read and observe the following precautions carefully.

- Be sure to insert the batteries with correct positive (\oplus) and negative (\ominus) orientations.
- Use batteries of the same type. Never use different types of batteries together.
- If the remote control is not used for a long time (more than a month), remove the batteries to prevent them from leaking.
- If the batteries leak, wipe away the leakage inside the battery compartment and replace the batteries with new ones.
- Do not use batteries of types other than those specified. Do not mix new batteries with old ones or use different types of batteries together.
- Do not heat or disassemble batteries. Never throw batteries into fire or water.
- Do not carry or store batteries with other metallic objects. The batteries could short circuit, leak or explode.
- Never recharge a battery unless it is confirmed to be a rechargeable type.

For European Customers

Disposal of electrical and electronic equipment and batteries and/or accumulators

- All electrical/electronic equipment and waste batteries/accumulators should be disposed of separately from the municipal waste stream via collection facilities designated by the government or local authorities.
- By disposing of electrical/electronic equipment and waste batteries/accumulators correctly, you will help save valuable resources and prevent any potential negative effects on human health and the environment.
- Improper disposal of waste electrical/electronic equipment and batteries/accumulators can have serious effects on the environment and human health because of the presence of hazardous substances in the equipment.
- The Waste Electrical and Electronic Equipment (WEEE) symbols, which show wheeled bins that have been crossed out, indicate that electrical/electronic equipment and batteries/accumulators must be collected and disposed of separately from household waste. If a battery or accumulator contains more than the specified values of lead (Pb), mercury (Hg), and/or cadmium (Cd) as defined in the Battery Directive (2006/66/EC), then the chemical symbols for those elements will be indicated beneath the WEEE symbol.
- Return and collection systems are available to end users. For more detailed information about the disposal of old electrical/electronic equipment and waste batteries/accumulators, please contact your city office, waste disposal service or the shop where you purchased the equipment.

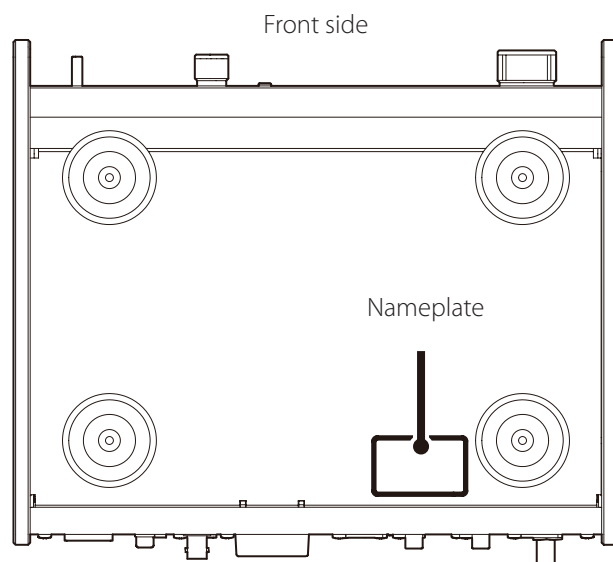


DECLARATION OF CONFORMITY

We, TEAC AUDIO EUROPE, Liegnitzer Straße 6, 82194 Gröbenzell, Germany declare in own responsibility, the TEAC product described in this manual is in compliance with the corresponding technical standards.



The nameplate is located on the bottom of the unit as shown below.



Wireless equipment precautions

Compliance of radio transmitter and interference

Model for USA

Declaration of Conformity

Responsible party:
TEAC AMERICA, INC.
Address: 1834 Gage Road, Montebello, California, U.S.A.
Telephone number : 1-323-726-0303
This device complies with Part.15 of FCC Rules.
Operation is subject to the following two conditions:



- 1) This device may not cause interference
- 2) This device must accept any interference, including interference that may cause undesired operation of the device.

Labeling of authorization
FCC ID: XEG-NT503

Model for Canada

Compliance of radio transmitter
This device complies with Industry Canada RSS standard(s).
Operation is subject to the following two conditions:

- 1) This device may not cause interference
- 2) This device must accept any interference, including interference that may cause undesired operation of the device.

Labeling of authorization
IC: 1559C-NT503

Compliance of interference

This Class B digital apparatus complies with Canadian ICES-003.

Model for EEA (European Economic Area)

This equipment complies with the harmonised standards of DIRECTIVE 1999/5/EC (R&TTE).

Labeling of conformity
CE marking:



CAUTION

Authorization of wireless devices are different in countries or regions. Please use only in the country where you purchased the product.

- Depending on the country, restrictions on the use of Bluetooth wireless technology might exist.

Confirm the laws and regulations of the country or region where you want to use the unit before use.

Radiation Exposure requirements

This equipment meets the regulation, which is recognized internationally, for the case of human exposure to radio waves generated by the transmitter.

Statement of compliance

Model for USA

This equipment complies with FCC radiation exposure limits set forth for an uncontrolled environment and meets the FCC radio frequency Exposure Guidelines.

Model for Canada

This equipment complies with IC RSS-102 radiation exposure limits set forth for an uncontrolled environment.

Model for EEA (European Economic Area)

This equipment complies with EN.62311; Assessment of electronic and electrical equipment related to human exposure restrictions for electromagnetic fields; the harmonised standard of DIRECTIVE 1999/5/EC.

CAUTION

Changes or modifications not expressly approved by the party responsible for compliance could void the user's authority to operate the equipment.

Information for interference (FCC requirements)

This equipment has been tested and found to comply with the limits for a Class B digital device, pursuant to Part 15 of the FCC Rules. These limits are designed to provide reasonable protection against harmful interference in a residential installation.

This equipment generates, uses, and can radiate radio frequency energy and, if not installed and used in accordance with the instructions, may cause harmful interference to radio communications.

However, there is no guarantee that interference will not occur in a particular installation.

If this equipment does cause harmful interference to radio or television reception, which can be determined by turning the equipment off and on, the user is encouraged to try to correct the interference by one or more of the following measures.

- Reorient or relocate the equipment and/or the receiving antenna.
- Increase the separation between the equipment and receiver.
- Connect the equipment into an outlet on a circuit different from that to which the receiver is connected.
- Consult the dealer or an experienced radio/TV technician for help.

Trademarks and other legal statement

MPEG Layer-3 audio coding technology licensed from Fraunhofer IS and Thomson.

"DSD" is a registered trademark.

The Bluetooth® word mark and logos are registered trademarks owned by Bluetooth SIG, Inc. and any use of such marks by TEAC CORPORATION is under license.

© 2013 CSR plc and its group companies. The aptX® mark and the aptX logo are trade marks of CSR plc or one of its group companies and may be registered in one or more jurisdictions.

This product is protected by certain intellectual property rights of Microsoft. Use or distribution of such technology outside of this product is prohibited without a license from Microsoft.

Windows and Windows Media are either registered trademarks or trademarks of Microsoft Corporation in the United States and/or other countries.

Mac, Mac OS and OS X are trademarks of Apple Inc., registered in the U.S. and other countries.

IOS is a trademark or registered trademark of Cisco in the U.S. and other countries and is used under license.

Android is a trademark of Google Inc.

SiriusXM Internet Radio subscriptions are sold separately and are governed by the Sirius Terms and Conditions (see www.sirius.com). Be sure to read this agreement before you purchase your subscription. Sirius, XM and all related marks and logos are trademarks of Sirius XM Radio Inc. and its subsidiaries. All rights reserved.

Slacker and the Slacker Logo are registered trademarks of Slacker, Inc.

DLNA®, the DLNA Logo and DLNA CERTIFIED® are trademarks, service marks, or certification marks of the Digital Living Network Alliance.

Other company names and product names in this document are the trademarks or registered trademarks of their respective owners.

Information about copyrights and licensing related to open-source software is provided in the separate "Important Notice Regarding Software" document.

Listening to SiriusXM Internet Radio

To listen to SiriusXM Internet Radio, you'll need to subscribe to SiriusXM Internet Radio service and obtain a username and password. SiriusXM Internet Radio is available to residents of the United States and Canada.

SiriusXM Internet Radio delivers a variety of commercial-free music including Pop, Rock, Country, R&B, Hip-Hop, Jazz, Classical and much more, plus expert sports talk and analysis. You also get exclusive entertainment, talk, comedy, family programming, local traffic and weather and news from your most trusted sources.

Once you've purchased a SiriusXM Internet Radio compatible tuner you'll need to subscribe to the service to listen to SiriusXM Internet Radio. There are a variety of programming packages available, including the option of adding "The Best of XM" programming to the SiriusXM Internet Radio service. "The Best of XM" service is not available to Sirius Canada subscribers at this time. Please check with Sirius Canada for any updates using the numbers and web address below.

Family friendly packages are also available to restrict channels that feature mature programming.

To subscribe to SiriusXM Internet Radio, U.S. customers should visit www.sirius.com or call 1-888-539-SIRI (1-888-539-7474). Canadian customers should visit www.siriuscanada.ca.

Current XM Radio Online subscribers will need to log into the XM online account manager and update their password in order for their credentials to work on a SiriusXM Internet Radio compatible device. If the username is over 20 characters or their device doesn't support the "@" character in the username, subscribers need to update the username on the same screen.

Contents

Thank you for choosing TEAC.

Read this manual carefully to get the best performance from this unit. After reading it, keep it in a safe place with the warranty card for future reference.

Included items	6
Before use	7
Maintenance	7
Using the TEAC Global Site.....	7
Product registration	7
USB flash drives and Networks	8
Downloading the remote app	9
Connections.....	10
Connections (front panel).....	12
Connecting headphones	13
Upconversion	13
Names and functions of parts (main unit)	14
Using the remote control	15
Names and functions of parts (remote control).....	16
Basic operation	17
Display	18
Bluetooth® wireless technology	20
Settings	22
Playing back music on a computer.....	27
Troubleshooting.....	29
Specifications.....	31

Included items

Check to be sure the box contains all the included items shown below.

Please contact the store where you purchased this unit if any of these items are missing or have been damaged during transportation.

Power cord × 1

RCA conversion (RCA to mini plug) cable × 1

Remote control (RC-1320) × 1

Batteries for remote control (AAA) × 2

Owner's manual (this document) × 1

- Keep this manual in a safe place for future reference.

Warranty card × 1 (for users in the USA and Canada only)

- Users in Europe and other countries and regions should see the back of this document for information about the warranty.

Before use

Precautions for use

- Do not install this unit in a location that could become hot. This includes places that are exposed to direct sunlight or near a radiator, heater, stove or other heating equipment. Moreover, do not place it on top of an amplifier or other equipment that generates heat. Doing so could cause discoloration, deformation or malfunction.
- Avoid locations that are extremely cold or exposed to excessive humidity or dust.
- When installing this unit, leave a little space (at least 3 cm or 8") between it and walls and other devices in order to allow good heat dissipation. If you put it in a rack, for example, leave at least 5 cm (2") open above it and at least 10 cm (4") open behind it. Failure to provide these gaps could cause heat to build up inside and result in fire.
- Place the unit in a stable location near the audio system that you will use with it.
- DO NOT place anything, not even CDs, CD-Rs, LP records or cassette tapes, on top of the units. Doing so could cause damage.
- The voltage supplied to the unit should match the voltage printed on the rear panel. If you are in any doubt regarding this matter, consult an electrician.
- Do not move the unit during use.
- Do not open the body of the unit because this could result in damage to the circuitry or cause electric shock. If a foreign object should enter the unit, contact your dealer.
- When removing the power plug from the wall outlet, always pull directly on the plug; never yank on the cord.

Maintenance

Wipe dirt from the top cover and other panel surfaces using a soft cloth that has been slightly dampened with a diluted neutral cleanser.

Do not wipe with chemical cleaning cloths, thinner or other chemical agents. Doing so could damage the surface.

 **For your safety, disconnect the power cord from the socket before cleaning.**

Using the TEAC Global Site

You can download updates for this unit from the TEAC Global Site:

<http://teac-global.com/>

- 1) Open the TEAC Global Site.
- 2) In the TEAC Downloads section, click the desired language to open the Downloads website page for that language.

NOTE

If the desired language does not appear, click Other Languages.

- 3) Click the "Search by Model Name" section to open the Downloads page for that product. (Users in Europe should click the product name in the "Products" section instead.)
- 4) Select and download the updates that are needed.

Product registration

Customers in the USA, please visit the following TEAC website to register your TEAC product online.

<http://audio.teac.com/support/registration/>

USB flash drives and Networks

Audio files playable by this unit

This unit can play the following types of audio files from USB flash drives or over a network connection.

MP3

File extension	.mp3, .MP3
Standard	MPEG-1/MPEG-2 Audio Layer-3
Sampling frequency	8 kHz, 11.025 kHz, 12 kHz, 16 kHz, 22.05 kHz, 24 kHz, 32 kHz, 44.1 kHz, 48 kHz
Bit rate	8 kpbs – 320 kbps or VBR

WMA

File extension	.wma, .WMA
Sampling frequency	8 kHz, 11.025 kHz, 16 kHz, 22.05 kHz, 32 kHz, 44.1 kHz, 48 kHz

Bit rate 5 kpbs – 320 kbps or VBR

- This unit might not be able to play audio files with copyright protection from a USB or network source.
- WMA Pro/Voice not supported

WMA Lossless

File extension	.wma or .WMA
Sampling frequency	44.1 kHz, 48 kHz, 88.2 kHz, 96 kHz
Quantization bit depth	16-bit, 24-bit

WAV

File extension	.wav, .WAV
Sampling frequency	8 kHz, 11.025 kHz, 12 kHz, 16 kHz, 22.05 kHz, 24 kHz, 32 kHz, 44.1 kHz, 48 kHz, 64 kHz, 88.2 kHz, 96 kHz, 176.4 kHz, 192 kHz
Quantization bit depth	8-bit, 16-bit, 24-bit

- WAV files include uncompressed PCM digital audio.

AAC

File extension	.aac, .m4a, .mp4, .3gp, .3g2, .AAC, .M4A, .MP4, .3GP, .3G2
Standard	MPEG-2/MPEG-4 Audio
Sampling frequency	8 kHz, 11.025 kHz, 12 kHz, 16 kHz, 22.05 kHz, 24 kHz, 32 kHz, 44.1 kHz, 48 kHz, 64 kHz, 88.2 kHz, 96 kHz
Bit rate	8 kpbs – 320 kbps or VBR

FLAC

File extension	.flac, .FLAC
Sampling frequency	8 kHz, 11.025 kHz, 16 kHz, 22.05 kHz, 32 kHz, 44.1 kHz, 48 kHz, 64 kHz, 88.2 kHz, 96 kHz, 176.4 kHz, 192 kHz
Quantization bit depth	8-bit, 16-bit, 24-bit

Ogg Vorbis

File extension	.ogg, .OGG
Sampling frequency	8 kHz, 11.025 kHz, 16 kHz, 22.05 kHz, 32 kHz, 44.1 kHz, 48 kHz, 64 kHz
Bit rate	48 kpbs – 500 kbps or VBR

- Incompatible files cannot be played back.

Apple Lossless

File extension	.m4a, .mp4, .M4A, .MP4
Sampling frequency	8 kHz, 11.025 kHz, 12 kHz, 16 kHz, 22.05 kHz, 24 kHz, 32 kHz, 44.1 kHz, 48 kHz, 64 kHz, 88.2 kHz, 96 kHz
Quantization bit depth	16-bit, 24-bit

DSD

File extension	.dsf, .DSF
Sampling frequency	2.8 MHz, 5.6 MHz

ATTENTION

- This unit does not support the following formats when using the Play To feature of Windows Media Player.
FLAC, Ogg Vorbis, DSD
- When playing back audio files over a network, the types of file formats that can be played back also depend on the software running on the network server. For example, when using Windows Media Player, not all audio files on the computer can be played back. Only audio files that have been added to the Windows Media Player library can be played back.
- When playing back files that have been recorded at variable bit rate (VBR), the playback time might not be shown correctly.

Notes about USB flash drives

This unit can use USB flash drives.*
Connect USB flash drives to the USB port (front).

*The USB ports on this unit only support USB flash drives (also known as "thumb drives" and "jump drives"). They do not support standard USB hard drives.

- FAT16 and FAT32 formats are supported for USB flash drives.
- If a USB flash drive is divided into multiple partitions, this unit will recognize them as separate volumes.
- This unit supports up to 20,000 files and 16 folder levels within a single folder.
- This unit does not support USB hubs or devices with USB hub functions. Never connect such devices to this unit.

ATTENTION

- If the connected media is not supported, "Not Connected" appears on this unit's display.
- This unit cannot play back audio files if copyright protection is used.
- Do not connect this unit's USB port (front) to a computer. Sound from a computer cannot be input through this unit's USB port (front).
- This unit might not be able to use media that is loaded into a USB card reader.
- Depending on the USB flash drive and its contents, reading data from it might take some time.

- Depending on the USB flash drive, the unit might not be able to read its data correctly or supply power properly.
- During the use of USB flash drives, please be aware that our company will take no responsibility should data be lost or changed, a USB flash drive become damaged or other harm occur.
- We recommend backing up data saved on a USB flash drive before using it with this unit.
- This unit does not support USB flash drives with security functions.

Note about DLNA

The Digital Living Network Alliance (DLNA) is a group that is advancing the standardization of reciprocal connections and the exchange of audio, image, video and other data among computers, game devices and digital household appliances over ordinary home networks (LAN). This unit complies with version 1.5 of the DLNA guidelines.

Note about servers

This unit supports the following version of Windows Media Player.

- Windows Media Player 12
- Servers that comply with DLNA

A network server must be connected to the same network as this unit.

This unit supports up to 20,000 files and 16 folder levels within a single folder.

ATTENTION

Depending on the type of media server, this unit might not recognize it or be able to play audio files saved on it.

Note about network services

The network services that can be used will differ according to the region.

Network services and contents that you can use through this unit could become unusable without warning if the service provider stops service.

Downloading the remote app

To play back files on USB flash drives and to use the unit connected to a network, install the dedicated app (free) on a smartphone, and connect it to the same network as the unit.

If you install the app on an iPod touch/iPhone or Android device, you can use it over a wireless network for basic control of the unit.

- You can download and use the app for free.



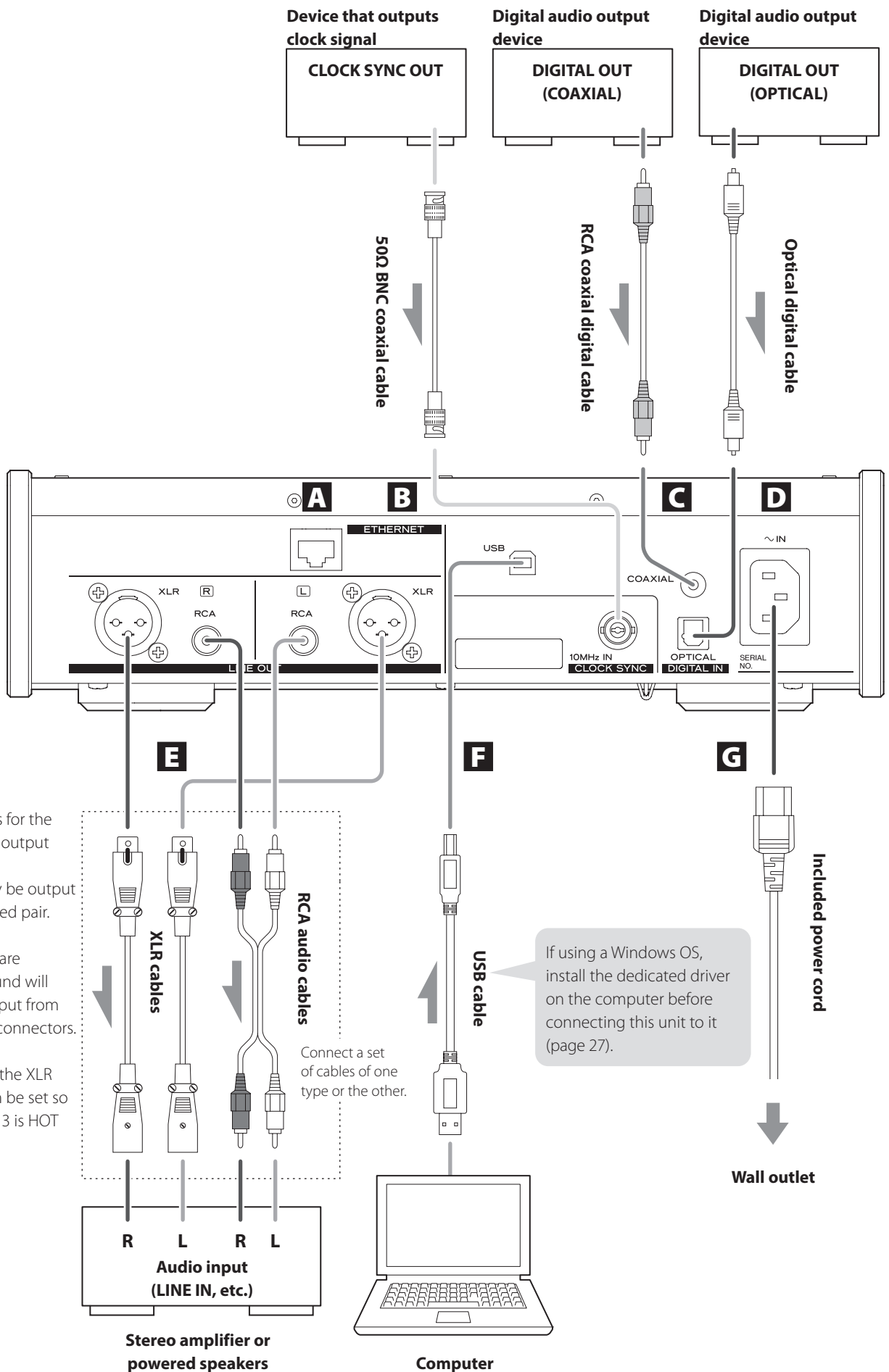
How to download the iPod touch/iPhone app

Search for "TEAC HR Remote" in the App Store.

How to download the Android app

Search for "Teac Avr Remote" on the Google play website (<https://play.google.com/store>).

Connections



Connect cables for the pair set for line output (page 23). Sound will only be output from the selected pair.

If headphones are connected, sound will stop being output from the rear panel connectors.

The polarity of the XLR connectors can be set so that either 2 or 3 is HOT (page 23).

A ETHERNET port

Connect a commercially-available LAN cable to this port when you want to connect this unit to a wired network or the Internet.

- When switching input sources, this port is labeled "NET".

B CLOCK SYNC input connector (10MHz IN)

Input a synchronization signal (clock sync) here. To input a 10MHz oscillator signal (sine wave output), connect the oscillator output here.

- Use a commercially-available BNC coaxial cable (50 Ω) for connection.
- Clock sync is only possible when the input source is USB, USBf or NET.

C RCA COAXIAL digital audio input connector

Use this to input digital audio. Connect the coaxial digital audio output connector of a digital audio device to it.

Use a commercially-available RCA coaxial digital cable for connection.

D OPTICAL digital audio input connector

Use this to input digital audio. Connect the optical digital audio output connector of a digital audio device to it. Use a commercially-available optical digital cable for connection.

E Analog audio output connectors (LINE OUT)

These output 2 channels of analog audio. Connect these XLR or RCA connectors to a stereo amplifier or powered speakers.

Use commercially available cables for connections.

- XLR: balanced XLR cables
- RCA: RCA audio cables

Connect this unit's R connector to the R connector of the amplifier and its L connector to the L connector of the amplifier.

F USB port (rear)

Use to input digital audio from a computer. Connect it to a computer's USB port.

Use a commercially-available USB2.0 cable (A-B type) for this connection.

ATTENTION

Before connecting a computer that is running a Windows OS, you must install the dedicated driver on the computer (page 27).

Proper connection is not possible with a computer that does not have this driver installed.

G Power inlet (~IN)

Insert the included power cord here.

After completing all other connections, insert the power plug into a power outlet.

⚠ Use only the included power cord. Use of other power cords could result in fire or electric shock. Unplug the cord from the outlet when not using the unit for a long time.

⚠ Complete all other connections before turning the unit on.

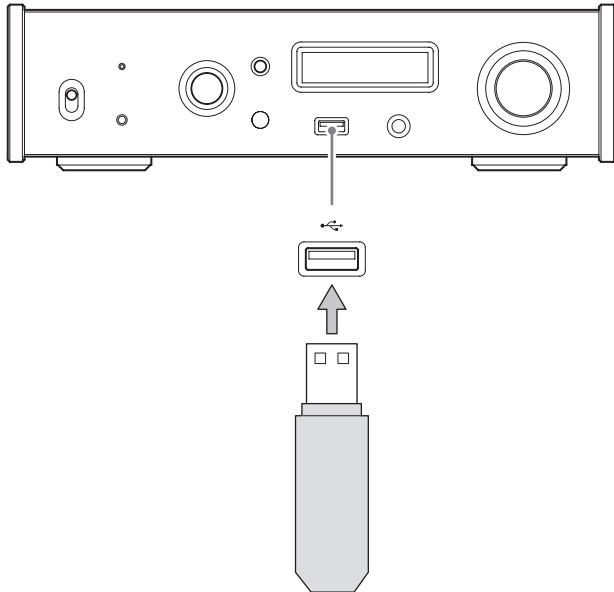
- Carefully read the manuals of the devices that you are connecting and follow their instructions when making connections.
- Do not bundle connecting cables with power cords. Doing so could cause noise.
- Connect all plugs completely.

Connections (front panel)

USB flash drives

Connect USB flash drives to the USB port on the front of the unit. To play music files on a USB flash drive, set the input source to NET and use the app for playback.

- The "f" indicates the front panel.



Digital audio input (OPT/COAX IN)

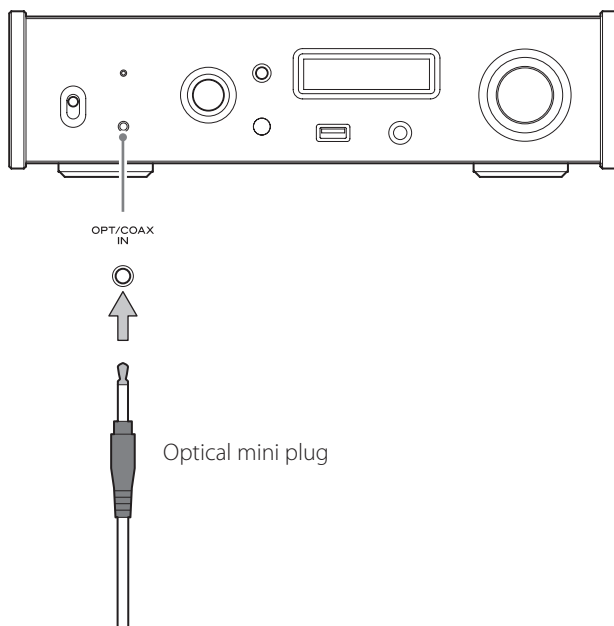
This input connector can be used for both optical (OPT) and coaxial (COAX) connections.

Optical (OPT) connection

Use a commercially-available optical cable with a mini plug.

To enable this input, turn the INPUT SELECTOR knob to select OPTf.

- The "f" indicates the front panel.

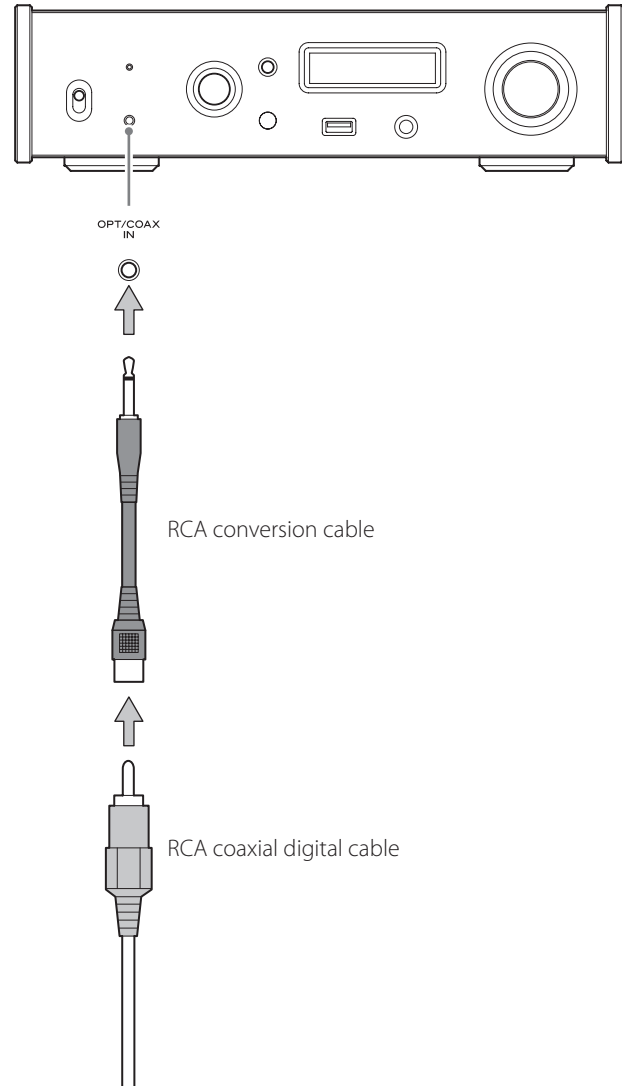


Coaxial (COAX) connection

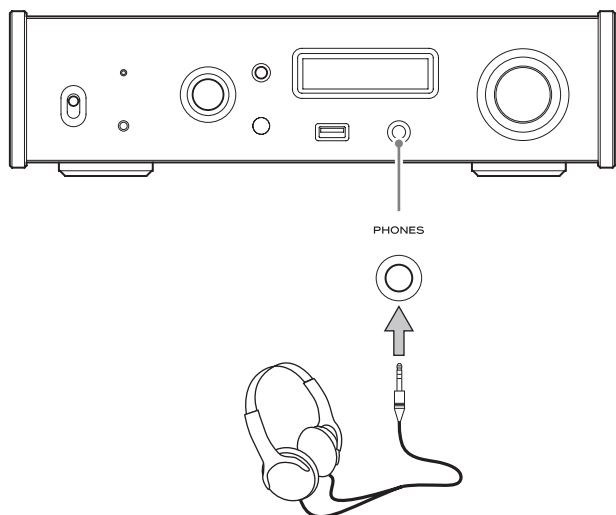
Use the included RCA conversion cable and a commercially-available RCA coaxial digital cable.

To enable this input, turn the INPUT SELECTOR knob to select COAXf.

- The "f" indicates the front panel.



Connecting headphones



⚠ CAUTION

While wearing headphones, do not connect or disconnect them or turn the unit on or off.

Doing so could result in a sudden loud noise that could harm your hearing.

Always set the volume to minimum ($-\infty$ dB) before putting headphones on (page 17).

Upconversion

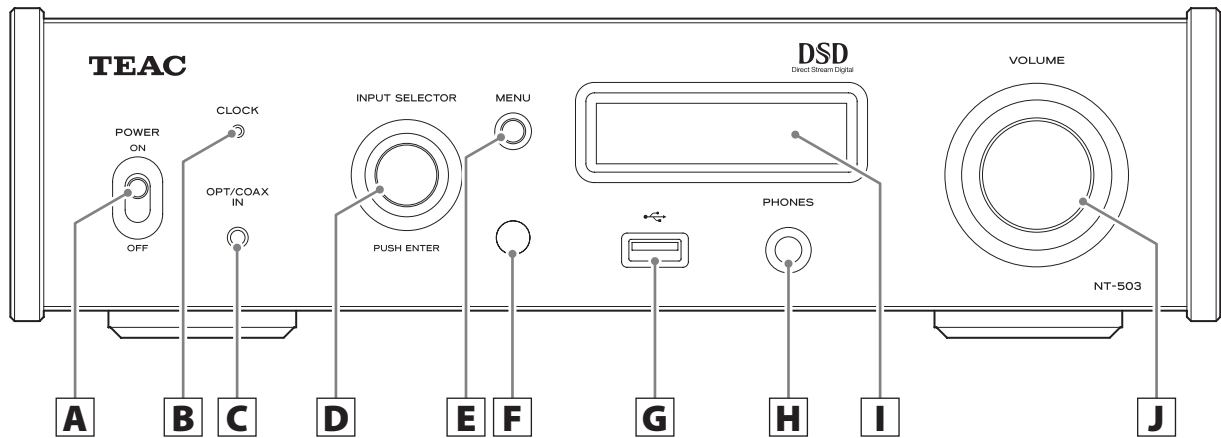
You can use the upconversion function with digital input, including the OPT/COAX IN connector, and the USB (front) and USB (rear) ports. (page 23).

The relationships between input sampling frequencies and sampling frequencies after upconversion are as follows.

Input source		Upconversion setting				
Digital audio input	USB	OFF	2Fs	4Fs	8Fs	DSD
Input sampling frequency		Sampling frequency after upconversion				
[kHz]		[kHz]			[MHz]	
32	–	32	64	128	256	8.0
44.1	44.1	44.1	88.2	176.4	352.8	11.2
88.2	88.2	88.2	88.2	176.4	352.8	11.2
176.4	176.4	176.4	176.4	176.4	352.8	11.2
–	352.8	352.8	352.8	352.8	352.8	11.2
48	48	48	96	192	384	12.2
96	96	96	96	192	384	12.2
192	192	192	192	192	384	12.2
–	384	384	384	384	384	12.2

Values indicated by are unchanged.

Names and functions of parts (main unit)



A POWER switch

Use to turn the unit on and off.

- If the display is dark even though the POWER switch is set to ON, the cause is usually one of the following.
 - The power is on, but DIMMER (display brightness) is set to OFF (page 24).
 - The automatic power saving function has put the unit into standby.
 - The power cord is disconnected.

To turn the unit on, press the STANDBY/ON button on the remote control, or set the power switch to OFF once and then back to ON.

B CLOCK indicator

This shows the clock synchronization status.

Lit: The unit is synchronized with the clock from the CLOCK SYNC input connector (10MHz IN).

Blinking: No clock is being input or the unit is not being synchronized.

Unlit: No clock sync is occurring.

- See page 23 for clock sync settings.

C Digital audio input (OPT/COAX IN)

Use this to input digital audio (page 12).

Optical connection: Use an optical cable with a mini plug.

Coaxial connection: Use the included RCA conversion cable.

D INPUT SELECTOR knob

Use to select the input source.

Use to change setting values when a menu item is shown.

Press to use as an ENTER button.

Turn when the menu is open to change the item shown or the setting value.

E MENU button

Press to enter setting mode (page 22).

Press when in setting mode to return to the previous screen.

F Remote control signal receiver

This receives signals from the remote control. When operating the remote control, point it at the remote control signal receiver.

G USB port (front)

Connect USB flash drives here.

- To play music files on a USB flash drive, set the input source to NET and use the app for playback.
- Do not connect this unit's USB port (front) to a computer. Sound from a computer cannot be input through this unit's USB port (front).

H PHONES jack

Connect headphones with a standard 6.3 mm (1/4") stereo plug here (page 13).

- If headphones are connected to this unit, audio will not be output from the analog audio outputs on the rear panel.

I Display

This display shows information about the audio playing back and menu screens.

J VOLUME knob

Use to adjust the headphones output volume. Turn right to increase and left to decrease the volume.

- To enable adjustment of this unit's analog audio output volume, set LINE OUT LEVEL to VARIABLE ("Line output level" on page 24). This will enable adjustment of the analog output level using this unit's VOLUME knob.
- Volume settings are retained separately for analog audio output and headphone output.

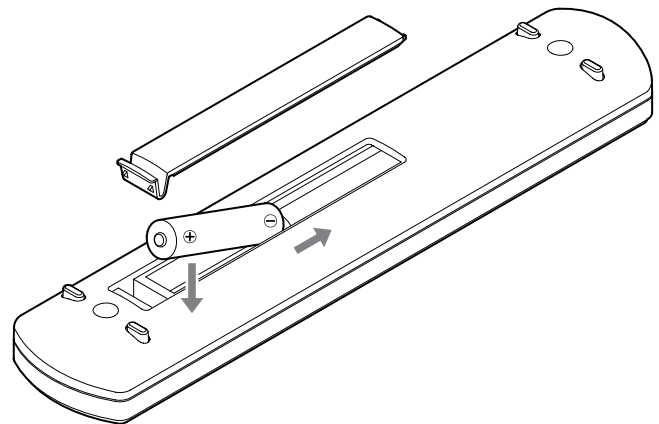
Precautions for use

⚠ Misuse of batteries could cause them to rupture or leak, which might result in fire, injury or the staining of nearby materials. Please carefully read and observe the precautions on page 3.

- When using the remote control, point it toward the remote control signal receiver on the main unit from a distance of 5 m (16 ft) or less. Do not place obstructions between the main unit and the remote control.
- The remote control might not work if the remote control signal receiver on the unit is exposed to direct sunlight or bright light. If this occurs, try moving the unit.
- Beware that use of this remote control could cause the unintentional operation of other devices that can be controlled by infrared rays.

Installing batteries

Remove the cover from the back of the remote control and insert two AAA batteries with their \yen / \wedge ends oriented in the case as shown. Replace the cover.

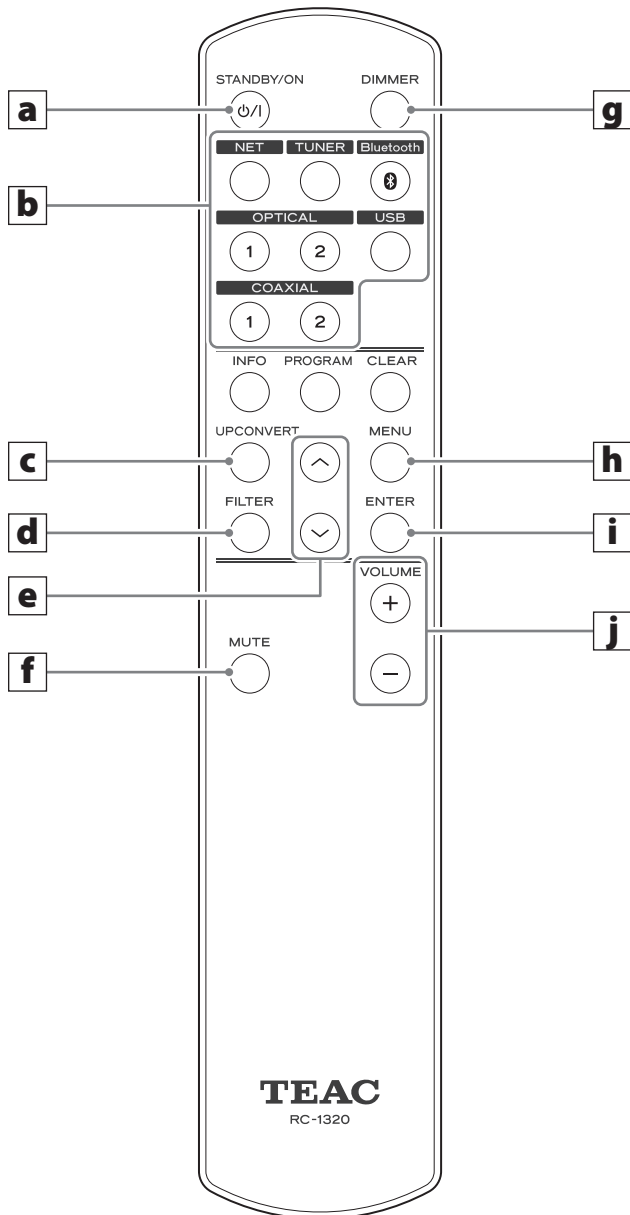


When to replace batteries

If the distance required between the remote and the main unit decreases or if the unit stops responding to the remote buttons, replace both batteries with new ones.

Dispose of the used batteries according to the instructions on them or requirements set by your local municipality.

Names and functions of parts (remote control)



a STANDBY/ON button

Press to put the unit into standby mode or turn it on.

b INPUT buttons

Use to select the playback source.

- The USB button selects the rear USB port.
- The TUNER button is not used with this unit.

c UP CONVERT button

Use to change the upconversion setting.

d FILTER button

Use to change the filter setting.

This changes the filter according to the input (PCM or DSD).

e Up/down (^/∨) buttons

Use to select setting items.

f MUTE button

Press to minimize the volume.

g DIMMER button

Use to adjust the brightness of the main unit's display.

h MENU button

Press to enter setting mode (page 22).

Press when in setting mode to return to the previous screen.

i ENTER button

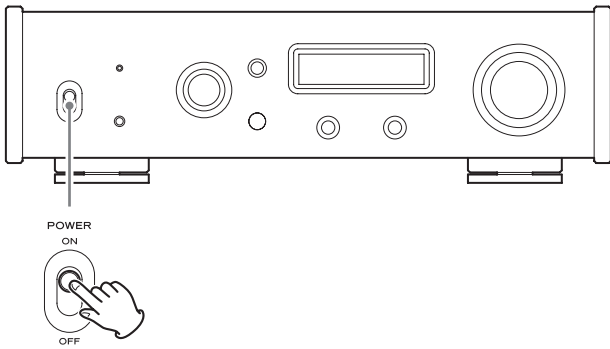
Press to confirm the selected item.

j VOLUME (+/-) buttons

Use these buttons to adjust the volume.

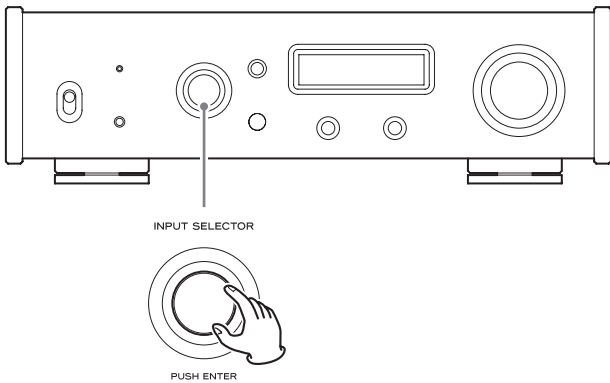
When the main unit and the remote control both have buttons with the same functions, this manual explains how to use one of the buttons. The other corresponding button can be used in the same manner.

1 Shift the POWER switch to its ON position to turn the unit on.



- If a stereo amplifier is connected to this unit, always turn its power ON very last.

2 Turn the INPUT SELECTOR knob to select the input source.



The selected source appears on the display.

- You can also use the up and down (^, v) buttons on the remote control.
- If the input signal is not a digital audio signal or is an audio signal format that is not supported by this unit, such as Dolby Digital or DTS, "NOT AUDIO!" will appear on the screen and no audio will be output. Set the digital output of the connected device to PCM audio output.
- To use a computer running a Windows OS to play back audio files when this unit is set to USB, you must first install a dedicated driver on the computer before connecting them (page 27).
- DSD data can only be played back using the front and rear USB ports or a DoP format digital input.
- To use NET or the front USB port, install the dedicated app (free) on a smartphone, and connect it to the same network as the unit.

3 Operate the playback device.

Refer to the operation manual of that device.

4 Adjust the volume.

When using the line outputs

When LINE OUT LEVEL is set to VARIABLE, turn this unit's VOLUME knob to adjust the volume.

When LINE OUT LEVEL is set to any other setting, the volume cannot be adjusted from this unit. Use the stereo amplifier or other device connected to this unit to adjust the volume.

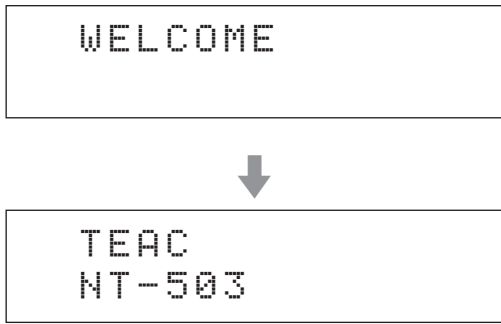
When headphones are connected to this unit

Turn this unit's VOLUME knob to adjust the volume.

- When this unit's VOLUME knob is enabled, the volume setting will be shown.

Display

When on



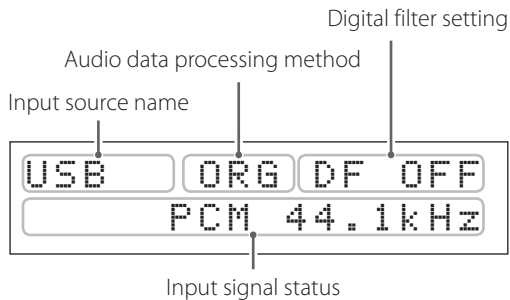
After the above messages appear, the input source will be shown on the display.

Input source information display

The input source information display will appear after turning the unit on as well as when about 10 seconds pass without operation when a setting screen is open.

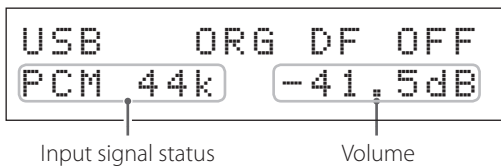
Display example

When headphones are not connected and LINE OUT LEVEL is set to FIX or OFF



- Turning the VOLUME knob will not change the volume.

When headphones are connected or LINE OUT LEVEL is set to VARIABLE



- Turning the VOLUME knob will change the volume, and the volume will appear to the right of the input signal status.

Input source name

This shows the name of the selected source.

The names shown on the display correspond to the selected connectors as follows.

USB

USB port (rear)

COAX

RCA COAXIAL digital audio input connector on the rear panel

COAXf

Coaxial connection with the digital audio input (OPT/COAX IN) on the front panel

OPT

OPTICAL digital audio input connector on the rear panel

OPTf

Optical connection with the digital audio input (OPT/COAX IN) on the front panel

NET

ETHERNET port

USBf

USB port (front)

- Set the input source to NET and then select this with the app.

Bluetooth

Bluetooth device

Audio data processing methods

ORG

The original input signal is sent directly to the D/A converter without upconversion.

2Fs

4Fs

8Fs

DSD

The upconversion shown will be used (page 23).

DoP

DSD signal is received by DoP (DSD over PCM) method.

Digital filter setting

This shows the digital filter setting (page 23).

Input signal status

This shows the input source signal status.

UNLOCK!

The unit cannot synchronize with the input signal.

NOT AUDIO!

A signal with a format that cannot be played is being received.

UNCONNECTED!

The input source is USB (rear USB port), but no USB cable is connected to the unit.

The input source is NET, but no USB cable is connected to the unit.

The input source is USBf (front USB port), but no USB flash drive is connected to the unit.

READY

The input source is USB (rear USB port), NET or USBf (front USB port) and a device is connected, but no audio signal is being received.

ANALOG

The input source is the analog audio inputs.

PCM 32kHz

PCM 44.1kHz

PCM 48kHz

PCM 88.2kHz

PCM 96kHz

PCM 128kHz

PCM 176.4kHz

PCM 192kHz

PCM 256kHz

PCM 352.8kHz

PCM 384kHz

DSD 2.8MHz

DSD 5.6MHz

DSD 11.2MHz

These show the input signal type and sampling frequency.

SBC

AAC

aptX

When the input source is Bluetooth, the codec type is shown.

Volume display

The volume setting will be shown when you turn this unit's VOLUME knob.

Display example



Volume -60.0dB

Bluetooth® wireless technology

Bluetooth® notes

When using this unit with a mobile phone or other Bluetooth devices, they should be no more than about 10 m (33 ft) apart.

Depending on the circumstances of use, however, the effective transmission distance might be shorter.

Wireless communication with every device that supports Bluetooth wireless technology is not guaranteed.

To determine the compatibility between this unit and another device that supports Bluetooth wireless technology, refer to that device's operation manual or contact the shop where you purchased it.

Profiles

This unit supports the following Bluetooth profiles.

- A2DP (Advanced Audio Distribution Profile)
- AVRCP (Audio/Video Remote Control Profile)

In order to transfer audio using Bluetooth wireless transmission, the Bluetooth device must support A2DP.

In order to control playback on the Bluetooth device, it must support AVRCP.

Even if a Bluetooth device supports the same profiles, though, its functions might differ according to its specifications.

Codecs

This unit supports the following codecs. It will automatically select one of them during audio transfer.

- SBC
- AAC
- aptX

The unit will select the appropriate codec to use according to the codec compatibility of the other Bluetooth device and communication conditions.

NOTE

You cannot select the codec to be used by pressing a button, for example.

Due to characteristics of Bluetooth wireless technology, playback from a Bluetooth device will be slightly delayed compared to playback from this unit.

Content protection

This unit supports SCMS-T as a form of content protection when transmitting audio, so it can play protected audio.

Transmission security

This unit supports security functions during Bluetooth wireless transmission in accordance with the Bluetooth standard specifications, but it does not guarantee the privacy of such transmissions.

TEAC CORPORATION will bear no responsibility should an information leak occur during Bluetooth wireless transmission.

Pairing with another Bluetooth device

Pairing this unit with another Bluetooth device is necessary the first time you connect with that Bluetooth device.

1 Turn the INPUT SELECTOR knob to select Bluetooth.



Bluetooth
UNCONNECTED

2 Enable Bluetooth transmission on the other Bluetooth device.

3 Press and hold the INPUT SELECTOR knob to enter pairing mode.



Bluetooth
PAIRING

- "PAIRING" blinks when pairing.

4 On the other Bluetooth device, select "NT-503" (this unit).

After this unit enters pairing mode, pair with it from the other Bluetooth device.

For details, refer to the operation manual of that Bluetooth device.

After connection, the display will show the input source.

- If a request for a passcode appears on the screen of the Bluetooth device, enter "0000" (four zeros).

Playback from a Bluetooth device

- Pair this unit the first time you use it and when you want to connect it with a new Bluetooth device (page 20).
- When pairing or connecting with another Bluetooth device, they should be within a few meters of each other. If they are too far apart, pairing and connection afterwards might become impossible.

5 Turn the INPUT SELECTOR knob to select Bluetooth.



Bluetooth
UNCONNECTED

This sets the source to Bluetooth.

- You can also use the up and down (∧, ∨) buttons on the remote control.
- The unit retains the same source mode even when in standby.
So, this step can be skipped if the unit had already been in Bluetooth mode when it was put into standby.

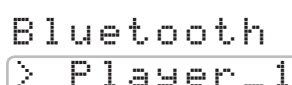
6 Enable Bluetooth transmission on the other Bluetooth device.

7 Press the INPUT SELECTOR knob to show already paired Bluetooth devices.

The bottom line of the display shows the name of the last connected device.

- You can also use the ENTER button on the remote control.

Display example



Bluetooth
> Player_1

Name of last connected device

- The first 14 characters of the device name are shown.
- If no paired device is available, the display will appear as follows.



Bluetooth
PAIRING?

Press and hold the INPUT SELECTOR knob to enter pairing mode (page 20).

8 Press the INPUT SELECTOR knob to connect.

- If there are multiple paired devices, turn the INPUT SELECTOR knob to show other devices. When the name of the device that you want to connect is shown, press the INPUT SELECTOR knob.

After connection, the display will show the input source.

Display example

Device name



Playe ORG DF-OFF
PCM 44k -41.5dB

- The first 5 characters of the device name are shown.

⚠ ATTENTION

Regardless of the connection status of this unit and the other Bluetooth device, if the input source is not shown, restart both this unit and the other device and then connect them again.

9 Start playback on the other Bluetooth device.

- Confirm that the volume is turned up on the other Bluetooth device. If you do not turn up the volume on the playback device, no sound might be output from this unit.

10 Turn this unit's VOLUME knob to adjust the volume.

- You can also use the VOLUME buttons on the remote control.
- Depending on the connected Bluetooth device, you might not be able to adjust the volume. For details, refer to the operation manual of that Bluetooth device.

Muting playback

If you want to temporarily mute the volume of this unit, press the MUTE button on the remote control.

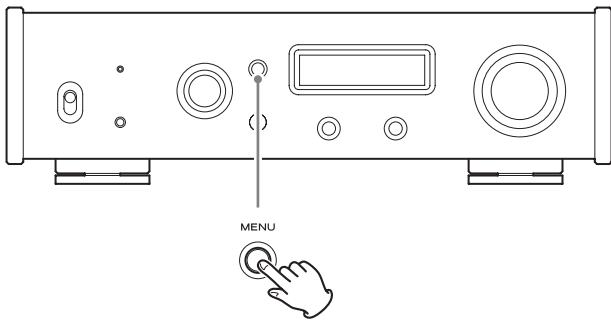
Press the MUTE button on the remote control again to return to the previous volume level.

Putting the unit into standby mode

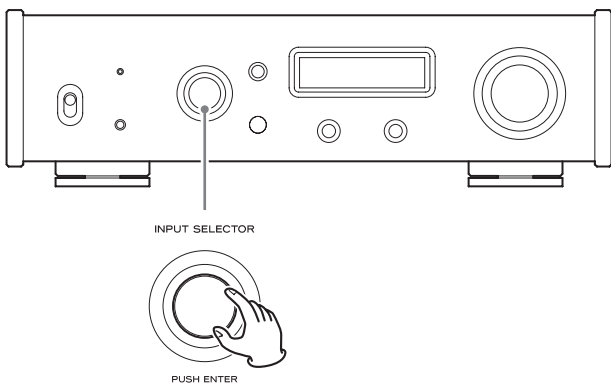
Press the standby/on (⏻/⏻) button on this unit or the remote control to put the unit into standby. Then, turn off the other Bluetooth device.

Settings

1 Press the MENU button to show the setting items.

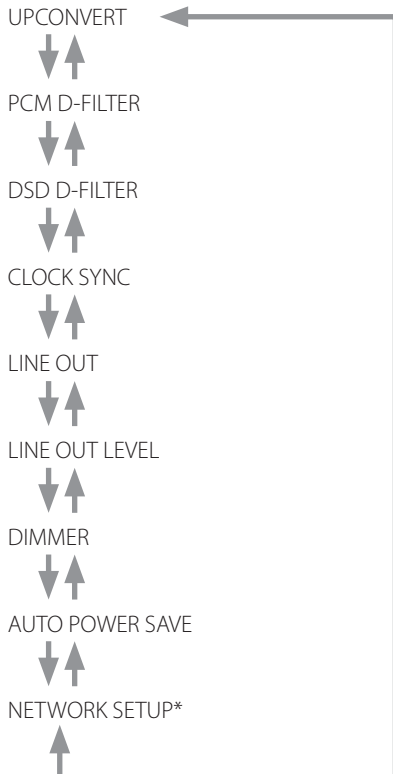


2 Turn the INPUT SELECTOR knob to show the setting to be changed.



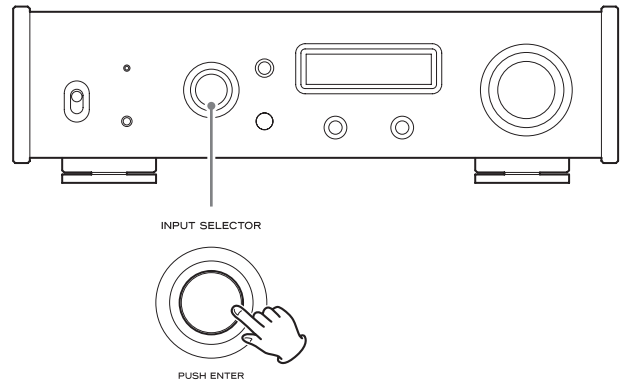
- You can also use the up and down (∧, ∨) buttons on the remote control.

The menu items appear in the following order.



*Shown only when the input source is NET/USBf

3 Press the INPUT SELECTOR knob to confirm the selection.

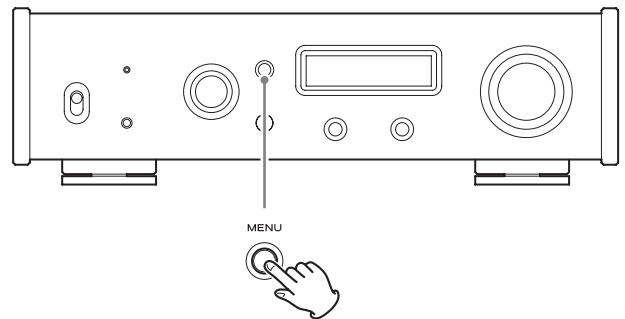


- You can also press the ENTER button on the remote control.
- The currently set value is shown on the display.

4 Turn the INPUT SELECTOR knob to change the setting value.

- You can also use the up and down (∧, ∨) buttons on the remote control.
- Press the MENU button to return to setting item selection.

5 When you are done changing settings, press the MENU button to show the input source status again.



- If you do not do anything for about 10 seconds, the display will return to showing the input source status.

Upconversion

Use to activate the upconversion circuit when receiving PCM format signals.

- See page 13 for the relationships between input sampling frequencies and sampling frequencies after upconversion.

```
*UPCONVERT
> OFF
```

OFF

The original input signal is sent directly to the D/A converter without upconversion.

2Fs

If the input audio signal is less than 2x a standard sampling frequency, it is upconverted 2x and then sent to the D/A converter.

4Fs

If the input audio signal is less than 4x a standard sampling frequency, it is upconverted 4x and then sent to the D/A converter.

8Fs

If the input audio signal is less than 8x a standard sampling frequency, it is upconverted 8x and then sent to the D/A converter.

DSD

The input source is converted to DSD digital format, and then sent to the D/A converter.

PCM digital filter

Use to set the digital filter when receiving PCM format signals.

```
*PCM D-FILTER
> OFF
```

OFF

The digital filter is disabled.

FIR SHARP

An FIR filter with a steep roll-off is used to sharply cut signals outside the audio band.

FIR SLOW

An FIR filter with a slow roll-off is used to gently cut signals outside the audio band.

SDLY SHARP

A short delay filter with a steep roll-off is used to sharply cut signals outside the audio band.

SDLY SLOW

A short delay filter with a slow roll-off is used to gently cut signals outside the audio band.

- When receiving signals at 352.8 kHz or 384 kHz, the digital filter will be disabled during playback regardless of this setting.

DSD digital filter

Use to set the digital filter when receiving DSD format signals.

```
*DSD D-FILTER
> CUTOFF 50kHz
```

CUTOFF 50kHz

50kHz cutoff frequency

CUTOFF 150kHz

150kHz cutoff frequency

Clock sync

- Clock sync is only possible when the input source is USB (rear USB port), NET or USBf (front USB port).

```
*CLOCK SYNC
> OFF
```

OFF

No clock sync is used.

ON

This unit's master clock will be synchronized to the 10MHz clock input through the clock sync input (10MHz IN) connector.

Line output

```
*LINE OUT
> RCA
```

Use to select the connectors that output analog audio.

- Output through both the RCA connectors and the XLR connectors at the same time is not possible.

RCA

Output through the RCA connectors.

XLR2

Output through the XLR connectors with 2: HOT polarity.

XLR3

Output through the XLR connectors with 3: HOT polarity.

Settings (continued)

Line output level

```
*LINE OUT LEVEL  
> FIX 0dB
```

Use to select audio level output from the analog audio output connectors (LINE OUT).

FIX 0dB

A maximum of 2 Vrms is output. Select this if you want to adjust the volume using an amplifier.

- No sound will be output if headphones are connected.

FIX +6dB

A maximum of 4 Vrms is output. Select this if you want to adjust the volume using an amplifier.

- No sound will be output if headphones are connected.
- If the sound distorts, set this to FIX 0dB.

VARIABLE

This will enable adjustment of the analog output level using the VOLUME knob. Select this if you want to adjust the volume using this unit.

- No sound will be output if headphones are connected.

OFF

No sound is ever output.

Display brightness

```
*DIMMER  
> DIMMER 3
```

DIMMER 3

Ordinary brightness

DIMMER 2

Slightly dim

DIMMER 1

Even dimmer

OFF

Display off

- The display stays unlit even when the unit is on.

Automatic power saving function

This unit has an automatic power saving function.

- The automatic power saving function is on when the unit is shipped new from the factory.

```
*AUTO POWER SAVE  
> ON
```

OFF

The automatic power saving function is disabled.

ON

If no input signal is locked for about 30 minutes, the unit will automatically enter standby mode.

Network setup

To use network services, make network settings on this unit in advance.

Make the settings according to the characteristics of the network to which it is being connected.

- An Internet connection is necessary to use Internet radio, DLNA and other network services.
- The "NET STANDBY" setting is not necessary for connecting this unit to a network.

ATTENTION

- If DHCP is set to ENABLE (default), "IP ADDRESS", "SUBNET MASK", "GATEWAY" and "DNS SERVER" settings will appear, but cannot be changed. If DHCP is set to Disable, "IP ADDRESS", "SUBNET MASK", "GATEWAY" and "DNS SERVER" will appear and must be set.
- When you press the MENU button when viewing the "NETWORK SEUP" submenu, "NETWORK SETTING SAVE?" will appear. After changing a setting, press the ENTER button to save it. If you close a menu screen without pressing the ENTER button, setting changes will not be applied.

The submenus appear in the following order.

IP ADDRESS

View/set the IP address.

MAC ADDRESS

View this unit's MAC address.

DHCP

ENABLE (default setting)

DHCP is enabled.

DISABLE

DHCP is disabled.

SUBNET MASK

View/set the subnet mask.

GATEWAY

View/set the default gateway.

DNS SERVER

View/set the DNS server address.

PROXY URL

Set the proxy server address.

PROXY PORT

Set the proxy port number.

- This only appears when a proxy URL has been set.

NET STANDBY

This sets whether or not the unit can be controlled over a network when the unit is in standby.

DISABLE (default setting)

When the unit is in standby, it cannot be controlled over a network.

ENABLE

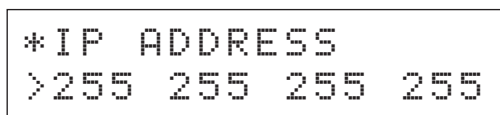
When the unit is in standby, it can be controlled over a network.

- When set to "ENABLE", more power will be consumed when the unit is in standby.

Inputting numbers

Follow the procedures below to input IP addresses and other numbers.

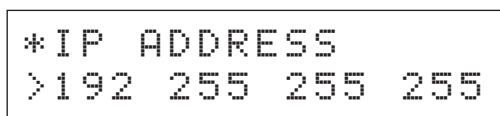
- 1** When the input screen is open, press the INPUT SELECTOR knob.



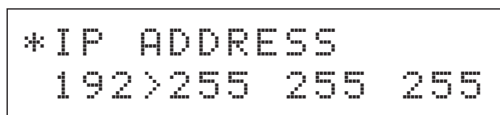
The number to the right of the > will be changed.

- You can also press the ENTER button on the remote control.

- 2** Turn the INPUT SELECTOR knob to select the value.



- 3** Press the INPUT SELECTOR knob to select the next digit for input.



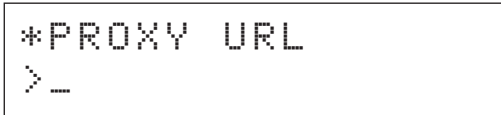
After inputting all the digits, press the INPUT SELECTOR knob to complete input and return to the original screen.

Settings (continued)

Inputting characters

Follow the procedures below to input characters for a PROXY server address.

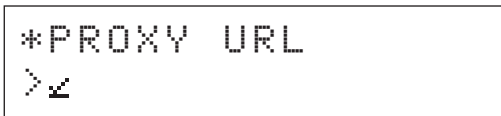
- 1 When the input screen is open, press the INPUT SELECTOR knob.**



The character to the right of the > will be changed.

- You can also press the ENTER button on the remote control.

- 2 Turn the INPUT SELECTOR knob to select a character, and press the INPUT SELECTOR knob to input that character.**



Turn the INPUT SELECTOR knob to show the icons below, followed by ASCII characters in character code order.

 Enter

Confirm an input character

 Insert

Insert a character at the cursor position

 Delete


Delete the character to the left of the cursor

 Back

Move the cursor one character to the left

 Forward

Move the cursor one character to the right

- 3 When done inputting characters, select the  icon and the press the INPUT SELECTOR knob to confirm.**

Update

You can update the firmware of this unit. Do not put the unit in standby during an update.

- See the document included with the firmware for update procedures.

CURRENT F/W Ver

This shows the current firmware version.

F/W UPDATE via USBf

You can update the firmware using a USB flash drive.

Installing the driver on a computer

This unit can be connected with computers running the following operating systems. Operation with other operating systems is not guaranteed. (As of January, 2015)

When using Mac OS

The driver works with the following versions.

OS X Lion (10.7)
OS X Mountain Lion (10.8)
OS X Mavericks (10.9)
OS X Yosemite (10.10)

This unit will run with the standard OS driver, so there is no need to install a special driver.

When using Windows

The driver works with the following versions.

Windows 7 (32/64-bit)
Windows 8 (32/64-bit)
Windows 8.1 (32/64-bit)

Installing the driver on the computer

In order to play audio files stored on a computer through this unit, you must install a dedicated driver on that computer beforehand. Download the dedicated driver from the TEAC Global Site:

TEAC Global Site
<http://teac-global.com/>

ATTENTION

Install the dedicated driver before connecting the unit with the computer by USB.

If you connect this unit with a computer before installing the driver, it will not work properly.

- For instructions about driver installation procedures, access the Downloads page from the TEAC Global site (<http://teac-global.com/>).
- Depending on the combination of hardware and software, proper operation might not be possible even with the above operating systems.

About the transmission mode

This unit connects using high-speed asynchronous mode.

The sampling frequencies that can be transmitted are 32, 44.1, 48, 88.2, 96, 176.4, 192, 352.8 and 384 kHz.

When properly connected, you will be able to select "TEAC USB AUDIO DEVICE" as an audio output from the computer OS.

- In asynchronous mode, the audio data sent from the computer will be processed using this unit's clock, enabling the amount of jitter that occurs during data transmission to be reduced.

Downloading playback application TEAC HR Audio Player

You can download Mac and Windows versions of our free TEAC HR Audio Player application that supports playback of DSD files from the TEAC Global Site (<http://teac-global.com/>).

TEAC HR Audio Player setting note

To play 11.2MHz DSD recordings with TEAC HR Audio Player, open the Configure window and set the "Decode mode" to "DSD Native."

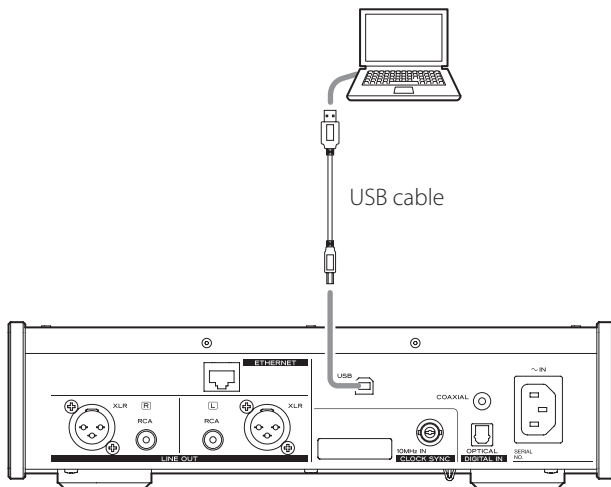
To play formats other than 11.2MHz DSD, you can set this to either "DSD over PCM" or "DSD Native" as you like.

For details, see "Selecting DSD decoding mode" in the TEAC HR Audio Player Owner's Manual.

Playing back music on a computer (continued)

Playing back audio files from a computer

- 1** Connect the USB port on the rear of this unit to the computer using a USB cable.

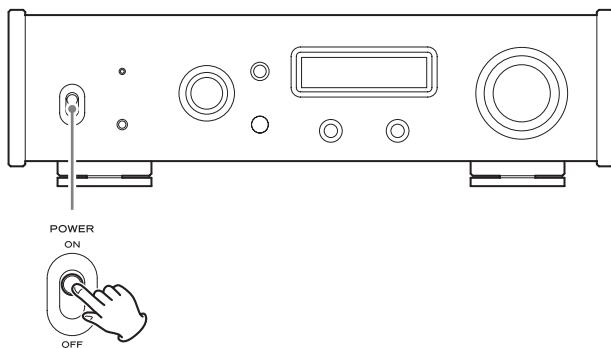


- Use a cable with a connector that matches that of this unit.

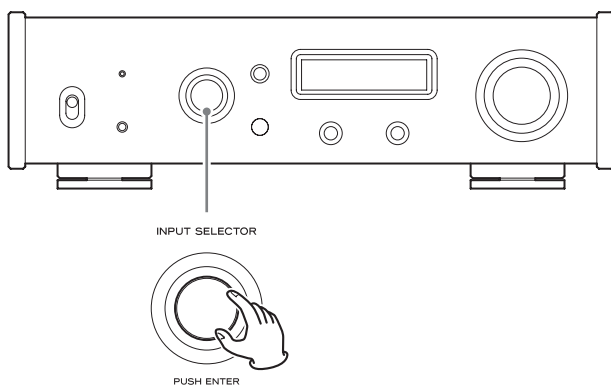
- 2** Turn the computer on.

- Confirm that the operating system has started properly.

- 3** Shift the POWER switch to its ON position to turn the unit on.



- 4** Turn the INPUT SELECTOR knob to select USB.



- 5** Start playback of an audio file on the computer.

By maximizing the output volume from the computer and adjusting the volume output from the stereo amplifier, better sound quality can be achieved.

Minimize the stereo amplifier volume before beginning playback. Then, gradually increase it.

When using headphones connected to this unit, turn the VOLUME knob counterclockwise to minimize the volume before putting them on. Then, gradually increase it.

- The computer and this unit cannot control each other.
- Do not do any of the following when playing back an audio file via USB. Doing so could cause the computer to malfunction. Always quit the audio playback software before doing any of the following.
 - Unplugging the USB cable
 - Turning this unit off
 - Changing the current input selection
- When playing back an audio file via USB, computer operation sounds will also be output. If you do not want these sounds to be output, make appropriate settings on the computer to turn them off.
- If you connect this unit with the computer or change its input to USB after starting the audio playback software, audio files might not play back correctly. If this should occur, restart the audio playback software or restart the computer.

If you experience a problem with the unit, please take a moment to review the following information before requesting service. If it still does not operate correctly, contact the retailer where you purchased the unit.

General

The unit does not turn on.

- ➔ Check that the power cord is completely plugged into the power outlet. If the outlet is switched, confirm that the switch is in the ON position.
- ➔ Connect a different electrical device to the outlet to confirm that it is supplying power.
- ➔ If the automatic power saving function has caused the unit to enter standby, press the remote control STANDBY/ON button to turn the unit on again.

No sound is output.

- ➔ If a stereo amplifier is connected to this unit, adjust its volume.
- ➔ If you are using headphones connected to this unit, use the VOLUME knob to adjust the volume.
- ➔ Use the INPUT SELECTOR knob to select the input that is connected to the source that you want to hear.
- ➔ Reconfirm the connections with other equipment.

There is a humming noise.

- ➔ If a connecting cable is near a power cord, fluorescent light or similar cause of interference, increase the distance between them as much as possible.

There is no sound from one side of the headphones.

- ➔ Confirm that the headphones plug is inserted completely.

Clock sync

The CLOCK indicator does not stop blinking.

- ➔ Set clock synchronization to OFF when not using it.
- ➔ Synchronization with the clock signal being input might not be possible. Check the connections of the clock sync connectors and the settings of the connected device.

Connections with a computer

Computer does not recognize this unit.

- ➔ This unit can be connected with computers running the following operating systems. Operation with other operating systems is not guaranteed. (As of **January**, 2015)

Mac OS

OS X Lion (10.7)
OS X Mountain Lion (10.8)
OS X Mavericks (10.9)
OS X Yosemite (10.10)

- This unit can be used with the standard OS driver.

Windows

Windows 7 (32/64-bit)
Windows 8 (32/64-bit)
Windows 8.1 (32/64-bit)

- Requires installation of a dedicated driver (page 27).

Noise occurs.

- ➔ Starting other applications during playback of a music file may interrupt playback or cause noise. Do not start other applications during playback.
When the unit is connected to a computer via a USB hub, for example, noise might be heard. If this occurs, connect the unit directly to the computer.

Audio files cannot be played back.

- ➔ Connect this unit to the computer, and set this unit's input to USB before launching music playback software.
If you connect this unit to the computer or set its input to USB after launching audio playback software, music files might not play back properly.

Audio files

Playback is not possible.

- ➔ Check the file format. See "Audio files playable by this unit" on page 8.

Troubleshooting (continued)

Internet radio

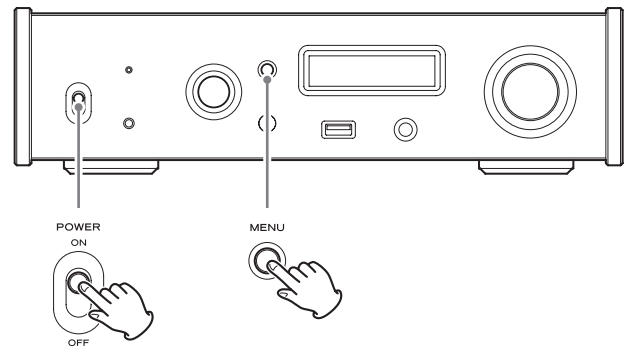
Cannot connect to the Internet.

- ➔ Confirm that a computer can connect to the Internet using the same network.
- ➔ Enter a correct network connection password.
- ➔ Check the settings of the network's firewall.
- ➔ Confirm that the radio station is currently sending a signal.
- ➔ Confirm that the address for the station has not changed.
- ➔ The number of registered users for the station might have already reached a limit, making it unavailable to the public.
- ➔ If the Internet connection speed is too slow, searching might take time.

Since this unit uses a microcontroller, external noise and other interference can cause the unit to malfunction. If this occurs, unplug the power cord, wait for a while, and then turn the unit on again and restart operations.

Restoring default settings

While pressing and holding the MENU button, set the POWER switch to ON.



- Release the MENU button when the "SETUP CLEAR" message appears.

The factory default settings are the setting values shown in the screen images used in the explanations in this manual.

Analog audio outputs

Connectors	XLR connectors × 1 pair RCA connectors × 1 pair
Output impedance	XLR: 188 Ω RCA: 150 Ω
Maximum output level (1 kHz/full-scale, into 10 kΩ)	
FIX 0dB	XLR/RCA: 2.0 Vrms
FIX +6dB	XLR/RCA: 4.0 Vrms
Variable	XLR: 12 Vrms RCA: 6 Vrms
Frequency response	5 Hz – 80 kHz (+1 dB/–3 dB)
S/N ratio	110 dB (A-Weight, 1 kHz)
Distortion	0.0015% (1 kHz, LPF: 20 Hz – 20 kHz)

Headphones output

Connector	Standard 6.3mm (1/4") stereo jack × 1
Effective maximum output	500 mW + 500 mW (into 32 Ω)
Compatible impedance range	16–600 Ω

Digital audio inputs*

COAXIAL digital	RCA connector × 1 3.5mm mini jack × 1 (3.5mm mini plug connection also possible using RCA-mini plug adapter cable) (0.5 Vp-p, 75 Ω)
OPTICAL digital	Rectangular connector × 1 3.5mm mini jack** × 1 (–24.0 to –14.5 dBm peak)
USB flash drive	USB Type A port (front) × 1 (USB 2.0 compliant)
USB	USB Type B port (rear) × 1 (USB 2.0 compliant)
LAN	100BASE-T
PCM data sampling frequency	
COAXIAL digital	32 kHz, 44.1 kHz, 48 kHz, 88.2 kHz, 96 kHz, 176.4 kHz, 192 kHz
OPTICAL digital	32 kHz, 44.1 kHz, 48 kHz, 88.2 kHz, 96 kHz, 176.4 kHz, 192 kHz
USB	44.1 kHz, 48 kHz, 88.2 kHz, 96 kHz, 176.4 kHz, 192 kHz, 352.8 kHz, 384 kHz

Quantization bit depth	
COAXIAL digital/OPTICAL digital	16/24-bit
USB	16/24/32-bit
DSD data sampling frequency	
COAXIAL digital/OPTICAL digital	2.8 MHz (supported using 176.4kHz/24-bit DoP transmission)
USB	2.8 MHz, 5.6 MHz, 11.2 MHz

*See “USB flash drives and Networks” on page 8 for details about USB flash drives and networks,

**This input connector can be used for both optical and coaxial connections.

Clock sync input

Connector	BNC
Input sampling frequency	10 MHz
Input impedance	50 Ω
Input level	Rectangle wave: equivalent to TTL levels Sine wave: 0.5 to 1.0 Vrms

General

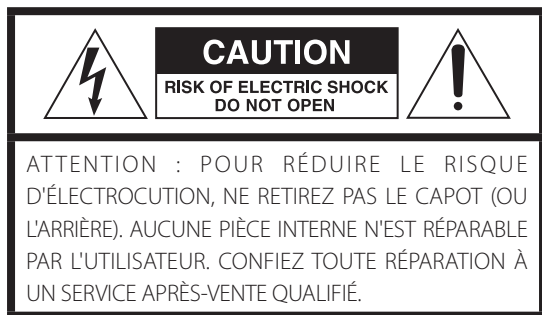
Power supply	
Model for Europe	AC 220–240 V, 50/60 Hz
Model for U.S.A./Canada	AC 120 V, 60 Hz
Power consumption	18 W
Standby power	0.4 W (in standby mode) 3 W (in network standby mode)
External dimensions	290 mm × 81.2 mm × 248.7 mm (11 1/2" × 3 1/4" × 9 7/8") (W × H × D including protrusions)
Weight	3.9 kg (8 5/8 lb)
Operating temperature range	+5°C to +35°C
Operating humidity range	5 to 85% (no condensation)
Storage temperature range	–20°C to +55°C

Included accessories

Power cord	× 1
RCA conversion (RCA to mini plug) cable	× 1
Remote control (RC-1320)	× 1
Batteries for remote control (AAA)	× 2
Owner’s manual (this document)	× 1
Warranty card	× 1 (for users in the USA and Canada only)

- Design and specifications are subject to change without notice. Weight and dimensions are approximate.
- Illustrations in this manual might differ slightly from production models.

INSTRUCTIONS DE SÉCURITÉ IMPORTANTES



Le symbole d'éclair à tête de flèche dans un triangle équilatéral sert à prévenir l'utilisateur de la présence dans l'enceinte du produit d'une « tension dangereuse » non isolée d'une grandeur suffisante pour constituer un risque d'électrocution pour les personnes.



Le point d'exclamation dans un triangle équilatéral sert à prévenir l'utilisateur de la présence d'instructions importantes de fonctionnement et de maintenance (entretien) dans les documents accompagnant l'appareil.

AVERTISSEMENT : POUR PRÉVENIR LES RISQUES D'INCENDIE ET D'ÉLECTROCUTION, N'EXPOSEZ PAS CET APPAREIL À LA PLUIE NI À L'HUMIDITÉ.

ATTENTION

- NE RETIREZ PAS LES CAPOTS EXTERNES OU BOÎTIERS POUR EXPOSER L'ÉLECTRONIQUE. AUCUNE PIÈCE INTERNE N'EST RÉPARABLE PAR L'UTILISATEUR.
- SI VOUS RENCONTREZ DES PROBLÈMES AVEC CE PRODUIT, CONTACTEZ LE MAGASIN OÙ VOUS AVEZ ACHETÉ L'UNITÉ. N'UTILISEZ PAS LE PRODUIT TANT QU'IL N'A PAS ÉTÉ RÉPARÉ.
- L'UTILISATION DE COMMANDES, DE RÉGLAGES OU LE SUIVI DE PROCÉDURES AUTRES QUE CE QUI EST DÉCRIT DANS CE DOCUMENT PEUT PROVOQUER UNE EXPOSITION À UN RAYONNEMENT DANGEREUX.

- 1) Lisez ces instructions.
 - 2) Conservez ces instructions.
 - 3) Tenez compte de tous les avertissements.
 - 4) Suivez toutes les instructions.
 - 5) N'utilisez pas cet appareil avec de l'eau à proximité.
 - 6) Ne nettoyez l'appareil qu'avec un chiffon sec.
 - 7) Ne bloquez aucune ouverture de ventilation. Installez-le conformément aux instructions du fabricant.
 - 8) N'installez pas l'appareil près de sources de chaleur telles que des radiateurs, bouches de chauffage, poêles ou autres appareils (y compris des amplificateurs) dégageant de la chaleur.
 - 9) Ne neutralisez pas la fonction de sécurité de la fiche polarisée ou de terre. Une fiche polarisée a deux broches, l'une plus large que l'autre. Une fiche de terre a deux broches identiques et une troisième broche pour la mise à la terre. La broche plus large ou la troisième broche servent à votre sécurité. Si la fiche fournie n'entre pas dans votre prise, consultez un électricien pour le remplacement de la prise obsolète.
 - 10) Évitez de marcher sur le cordon d'alimentation et de le pincer, en particulier au niveau des fiches, des prises secteur, et du point de sortie de l'appareil.
 - 11) N'utilisez que des fixations/accessoires spécifiés par le fabricant.
 - 12) Utilisez-le uniquement avec des chariots, socles, trépieds, supports ou tables spécifiés par le fabricant ou vendus avec l'appareil. Si un chariot est utilisé, faites attention à ne pas être blessé par un renversement lors du déplacement de l'ensemble chariot/appareil.
 - 13) Débranchez cet appareil en cas d'orage ou de non utilisation prolongée.
 - 14) Confiez toute réparation à des techniciens de maintenance qualifiés. Une réparation est nécessaire si l'appareil a été endommagé d'une quelconque façon, par exemple si le cordon ou la fiche d'alimentation est endommagé, si du liquide a été renversé sur l'appareil ou si des objets sont tombés dedans, si l'appareil a été exposé à la pluie ou à l'humidité, s'il ne fonctionne pas normalement, ou s'il est tombé.
- L'appareil tire un courant nominal de veille de la prise secteur quand son interrupteur POWER ou STANDBY/ON n'est pas en position ON.
 - La fiche secteur est utilisée comme dispositif de déconnexion et doit donc toujours rester disponible.
 - Des précautions doivent être prises en cas d'utilisation d'écouteurs ou d'un casque avec le produit car une pression sonore excessive (volume trop fort) dans les écouteurs ou dans le casque peut causer une perte auditive.



ATTENTION

- N'exposez pas cet appareil aux gouttes ni aux éclaboussures.
- Ne placez pas d'objet rempli de liquide sur l'appareil, comme par exemple un vase.
- N'installez pas cet appareil dans un espace confiné comme une bibliothèque ou un meuble similaire.
- L'appareil doit être placé suffisamment près de la prise de courant pour que vous puissiez à tout moment attraper facilement la fiche du cordon d'alimentation.
- Si le produit utilise des piles/batteries (y compris un pack de batteries ou des piles installées), elles ne doivent pas être exposées au soleil, au feu ou à une chaleur excessive.
- **PRÉCAUTION** pour les produits qui utilisent des batteries remplaçables au lithium : remplacer une batterie par un modèle incorrect entraîne un risque d'explosion. Remplacez-les uniquement par un type identique ou équivalent.

AVERTISSEMENT

Les produits ayant une construction de Classe **I** sont équipés d'un cordon d'alimentation avec une fiche de terre. Le cordon d'un tel produit doit être branché dans une prise secteur avec terre de sécurité.

AUX USA/CANADA, UTILISEZ UNIQUEMENT UNE TENSION D'ALIMENTATION DE 120 V.



Précautions concernant les piles

Un mauvais emploi des piles peut entraîner leur rupture ou leur fuite, avec pour conséquence un incendie, des blessures ou la salissure des objets proches. Veuillez lire et suivre attentivement les précautions suivantes.

- Veuillez à insérer les piles avec leurs pôles positif (+) et négatif (-) correctement orientés.
- Utilisez des piles du même type. N'utilisez jamais des types de pile différents ensemble.
- Si la télécommande doit rester inutilisée durant une période prolongée (plus d'un mois), retirez ses piles pour éviter qu'elles ne coulent.
- Si les piles coulent, essuyez le liquide dans le compartiment des piles et remplacez les piles par des neuves.
- N'utilisez pas de piles d'un type autre que celui spécifié. Ne mélangez pas de piles neuves avec des anciennes et n'utilisez pas ensemble des types de pile différents.
- Ne chauffez pas et ne démontez pas les piles. Ne jetez jamais les piles dans un feu ou dans de l'eau.
- Ne conservez et ne transportez pas les piles avec d'autres objets métalliques. Les piles pourraient entrer en court-circuit, couler ou exploser.
- Ne rechargez jamais une batterie sans avoir vérifié qu'elle peut l'être.

Pour les consommateurs européens

Mise au rebut des équipements électriques et électroniques et des piles et/ou accumulateurs

- (a) Tout équipement électrique/électronique et pile/accumulateur hors d'usage doit être traité séparément de la collecte municipale d'ordures ménagères dans des points de collecte désignés par le gouvernement ou les autorités locales.
- (b) En vous débarrassant correctement des équipements électriques/électroniques et piles/accumulateurs hors d'usage, vous contribuerez à la sauvegarde de précieuses ressources et à la prévention de potentiels effets négatifs sur la santé humaine et l'environnement.
- (c) Le traitement incorrect des équipements électriques/électroniques et piles/accumulateurs hors d'usage peut avoir des effets graves sur l'environnement et la santé humaine en raison de la présence de substances dangereuses dans les équipements.
- (d) Le symbole de déchets d'équipements électriques et électroniques (DEEE), qui représente une poubelle à roulettes barrée d'une croix, indique que les équipements électriques/électroniques et piles/accumulateurs doivent être collectés et traités séparément des déchets ménagers.

Si une pile ou un accumulateur contient plus que les valeurs de plomb (Pb), mercure (Hg) et/ou cadmium (Cd) spécifiées dans la directive sur les piles et accumulateurs (2006/66/CE), alors les symboles chimiques de ces éléments seront indiqués sous le symbole DEEE.

- (e) Des systèmes de retour et de collecte sont disponibles pour l'utilisateur final. Pour des informations plus détaillées sur la mise au rebut des vieux équipements électriques/électroniques et piles/accumulateurs hors d'usage, veuillez contacter votre mairie, le service d'ordures ménagères ou le magasin dans lequel vous avez acquis l'équipement.

DÉCLARATION DE CONFORMITÉ

Nous, TEAC AUDIO EUROPE, Liegnitzer Straße 6, 82194 Gröbenzell, Allemagne, déclarons sous notre propre responsabilité que le produit TEAC décrit dans ce mode d'emploi est conforme aux normes techniques lui correspondant.



Précautions pour les équipements sans fil

Conformité de l'émetteur radio et brouillage

Modèle pour le Canada

Conformité de l'émetteur radio

Ce dispositif est conforme à la norme CNR-210 d'Industrie Canada applicable aux appareils radio exempts de licence. Son fonctionnement est sujet aux deux conditions suivantes :

- 1) Le dispositif ne doit pas produire de brouillage préjudiciable, et
- 2) Ce dispositif doit accepter tout brouillage reçu, y compris un brouillage susceptible de provoquer un fonctionnement indésirable.

Étiquetage d'autorisation

IC: 1559C-NT503

Conformité de brouillage

CET APPAREIL NUMÉRIQUE DE LA CLASSE B EST CONFORME À LA NORME NMB-003 DU CANADA

Modèle pour l'EEE

(Espace Économique Européen)

Cet équipement est conforme aux normes harmonisées de la Directive 1999/5/CE (R&TTE).

Étiquetage de conformité

Marquage CE :



ATTENTION

L'autorisation des dispositifs sans fil varie avec les pays ou régions. Veuillez n'utiliser cet appareil que dans le pays où il a été acheté.

- Selon le pays, des restrictions d'usage de la technologie sans fil Bluetooth peuvent exister.

Vérifiez avant utilisation les lois et réglementations en vigueur dans le pays ou la région dans lequel vous voulez employer l'unité.

Exigences pour l'exposition aux rayonnements

Cet équipement est conforme à la réglementation reconnue internationalement en matière d'exposition humaine aux ondes radio générées par l'émetteur.

Déclaration de conformité

Modèle pour le Canada

Cet équipement est conforme avec les limites d'exposition aux radiofréquences établies pour un environnement non contrôlé par le CNR-102 de l'IC.

Modèle pour l'EEE

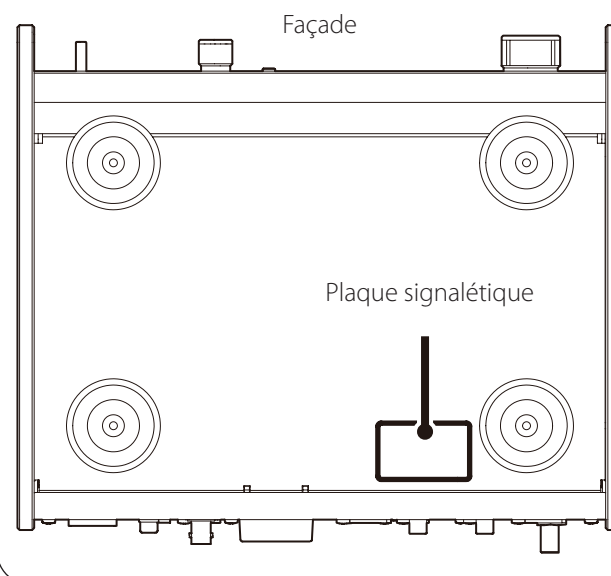
(Espace Économique Européen)

Cet équipement est conforme à la norme EN.62311 : Évaluation des équipements électroniques et électriques en relation avec les restrictions d'exposition humaine aux champs électromagnétiques ; la norme harmonisée de la Directive 1999/5/CE.

ATTENTION

Les changements ou modifications non expressément approuvés par la partie responsable de la conformité peuvent invalider le droit de l'utilisateur à faire fonctionner l'équipement.

La plaque signalétique se trouve sous l'unité comme représenté ci-dessous.



Trademarks and other legal statement

MPEG Layer-3 audio coding technology licensed from Fraunhofer IS and Thomson.

"DSD" is a registered trademark.

The Bluetooth® word mark and logos are registered trademarks owned by Bluetooth SIG, Inc. and any use of such marks by TEAC CORPORATION is under license.

© 2013 CSR plc and its group companies. The aptX® mark and the aptX logo are trade marks of CSR plc or one of its group companies and may be registered in one or more jurisdictions.

This product is protected by certain intellectual property rights of Microsoft. Use or distribution of such technology outside of this product is prohibited without a license from Microsoft.

Windows and Windows Media are either registered trademarks or trademarks of Microsoft Corporation in the United States and/or other countries.

Mac, Mac OS and OS X are trademarks of Apple Inc., registered in the U.S. and other countries.

IOS is a trademark or registered trademark of Cisco in the U.S. and other countries and is used under license.

Android is a trademark of Google Inc.

DLNA®, the DLNA Logo and DLNA CERTIFIED® are trademarks, service marks, or certification marks of the Digital Living Network Alliance.

Les autres noms de société et de produit cités dans ce document sont des marques commerciales ou déposées de leurs détenteurs respectifs.

Information about copyrights and licensing related to open-source software is provided in the separate "Important Notice Regarding Software" document.

Listening to SiriusXM Internet Radio

To listen to SiriusXM Internet Radio, you'll need to subscribe to SiriusXM Internet Radio service and obtain a username and password. SiriusXM Internet Radio is available to residents of the United States and Canada.

SiriusXM Internet Radio delivers a variety of commercial-free music including Pop, Rock, Country, R&B, Hip-Hop, Jazz, Classical and much more, plus expert sports talk and analysis. You also get exclusive entertainment, talk, comedy, family programming, local traffic and weather and news from your most trusted sources.

Once you've purchased a SiriusXM Internet Radio compatible tuner you'll need to subscribe to the service to listen to SiriusXM Internet Radio. There are a variety of programming packages available, including the option of adding "The Best of XM" programming to the SiriusXM Internet Radio service. "The Best of XM" service is not available to Sirius Canada subscribers at this time. Please check with Sirius Canada for any updates using the numbers and web address below.

Family friendly packages are also available to restrict channels that feature mature programming.

To subscribe to SiriusXM Internet Radio, U.S. customers should visit www.sirius.com or call 1-888-539-SIRI (1-888-539-7474). Canadian customers should visit www.siriuscanada.ca.

Current XM Radio Online subscribers will need to log into the XM online account manager and update their password in order for their credentials to work on a SiriusXM Internet Radio compatible device. If the username is over 20 characters or their device doesn't support the "@" character in the username, subscribers need to update the username on the same screen.

INSTRUCCIONES IMPORTANTES DE SEGURIDAD



El símbolo del rayo acabado en flecha dentro de un triángulo equilátero alerta al usuario de la presencia de un "voltaje peligroso" sin aislar dentro de la carcasa del producto que puede ser de magnitud suficiente como para constituir riesgo de descarga eléctrica para las personas.

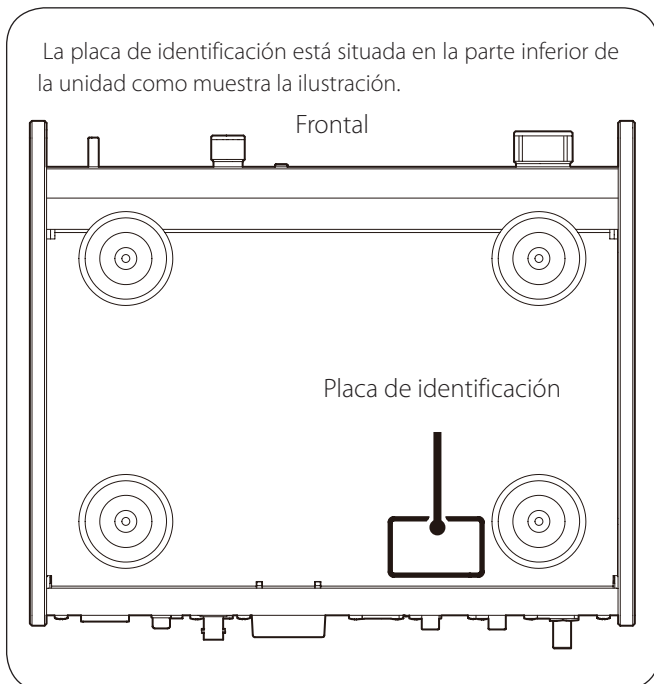


El signo de exclamación dentro de un triángulo equilátero alerta al usuario de la presencia de importantes instrucciones de funcionamiento y mantenimiento en la literatura que acompaña al aparato.

ADVERTENCIA: PARA EVITAR RIESGO DE INCENDIO O DESCARGAS ELÉCTRICAS, NO EXPONGA ESTE APARATO A LA LLUVIA NI A LA HUMEDAD.

PRECAUCIÓN

- NO quite las carcasas externas ni deje al aire la electrónica. ¡EN EL INTERIOR NO HAY PIEZAS QUE EL USUARIO PUEDA MANIPULAR!
- SI EXPERIMENTA PROBLEMAS CON ESTE PRODUCTO, PÓNGASE EN CONTACTO CON EL ESTABLECIMIENTO DONDE ADQUIRIÓ LA UNIDAD PARA SOLICITAR SERVICIO TÉCNICO. NO UTILICE EL APARATO HASTA QUE HAYA SIDO REPARADO.
- EL USO DE CONTROLES, AJUSTES O PROCEDIMIENTOS QUE NO SEAN LOS ESPECIFICADOS EN ESTE MANUAL PUEDE CAUSAR EXPOSICIÓN A RADIACIONES PELIGROSAS.



- 1) Lea estas instrucciones.
 - 2) Conserve estas instrucciones.
 - 3) Cumpla con lo indicado en los avisos.
 - 4) Siga todas las instrucciones.
 - 5) No utilice este aparato cerca del agua.
 - 6) Límpielo solo con un trapo seco.
 - 7) No bloquee ninguna de las ranuras de ventilación. Instale este aparato de acuerdo con las instrucciones del fabricante.
 - 8) No instale este aparato cerca de fuentes de calor como radiadores, calentadores, hornos u otros aparatos (incluyendo amplificadores) que produzcan calor.
 - 9) No elimine el sistema de seguridad que supone el enchufe polarizado o con toma de tierra. Un enchufe polarizado tiene dos bornes, uno más ancho que el otro. Uno con toma de tierra tiene dos bornes iguales y una tercera lámina para la conexión a tierra. El borne ancho o la lámina se incluyen para su seguridad. Si el enchufe que venga con la unidad no encaja en su salida de corriente, haga que un electricista cambie su salida anticuada.
 - 10) Evite que el cable de corriente quede de forma que pueda ser pisado o quedar retorcido o aplastado, especialmente en los enchufes, receptáculos o en el punto en el que salen del aparato.
 - 11) Use solo accesorios / complementos especificados por el fabricante.
 - 12) Utilice este aparato solo con un soporte, trípode o bastidor especificado por el fabricante o que se venda con el propio aparato. Cuando utilice un bastidor con ruedas, tenga cuidado al mover la combinación de aparato/bastidor para evitar que vuelque y puedan producirse daños.
 - 13) Desconecte este aparato de la corriente durante las tormentas eléctricas o cuando no lo vaya a usar durante un periodo de tiempo largo.
 - 14) Dirija cualquier posible reparación solo al servicio técnico oficial. Este aparato deberá ser reparado si se ha dañado de alguna forma, como por ejemplo si el cable de corriente o el enchufe están rotos, si ha sido derramado algún líquido sobre la unidad o algún objeto ha sido introducido en ella, si ha quedado expuesto a la lluvia o la humedad, si no funciona normalmente o si ha caído al suelo en algún momento.
- Este aparato libera corriente nominal no válida para el funcionamiento a través de la toma de corriente, aún cuando el interruptor de encendido y activación (POWER o STANDBY/ON) no esté en la posición de encendido (ON).
 - El enchufe que se conecta a la red es el dispositivo de desconexión, por lo que deberá permanecer siempre en perfecto estado de uso.
 - Deberá llevar cuidado si utiliza auriculares con este producto, ya que una excesiva presión sonora (volumen) procedente de los mismos puede causar pérdidas de audición.



PRECAUCIÓN

- No exponga este aparato a salpicaduras ni goteras.
- No coloque objetos que contengan líquidos, como por ejemplo jarrones, sobre el aparato.
- No instale este aparato en lugares cerrados tales como estanterías o similares.
- Este aparato debe situarse lo suficientemente cerca de una toma de electricidad como para poder alcanzar fácilmente el cable de corriente en cualquier momento.
- Si el producto utiliza pilas (esto incluye las pilas instaladas y los "packs" de pilas), se evitará su exposición directa al sol, al fuego o a cualquier otra fuente de calor excesivo.
- **PRECAUCIÓN** con los productos que emplean baterías de litio reemplazables: existe peligro de explosión si la batería se reemplaza por otra de tipo incorrecto. Reemplácela sólo por otra igual o de tipo equivalente.

AVISO

Los productos con construcción de Clase **I** están equipados con un cable de alimentación que tiene conexión de tierra. El cable de estos productos deberá conectarse a una toma de corriente que tenga conexión de protección de tierra.

EN EE. UU./CANADÁ, UTILICE SOLO ALIMENTACIÓN CON CORRIENTE DE 120 V.



Precauciones con respecto a las pilas

Un mal uso de las pilas puede hacer que se rompan o que tengan fugas y ello causar fuego, lesiones u oxidación en los objetos cercanos. Por favor, lea y observe las siguientes precauciones cuidadosamente.

- Asegúrese de introducir las pilas siempre con la correcta orientación de los polos positivo (\oplus) y negativo (\ominus).
- Use pilas del mismo tipo. Nunca utilice juntas pilas de tipos diferentes.
- Si no va a utilizar el mando a distancia durante mucho tiempo (más de un mes), quite las pilas para evitar que se sulfaten y tengan fugas.
- Si las pilas presentan fugas, limpie el líquido que haya caído en el compartimento y sustituya las pilas por otras nuevas.
- No utilice pilas que no sean del tipo especificado. No mezcle pilas nuevas con viejas ni utilice juntas pilas de tipos distintos.
- No caliente ni desarme las pilas. Nunca tire pilas al fuego ni al agua.
- No transporte ni almacene pilas con otros objetos metálicos. Las pilas podrían producir cortocircuitos, perder líquido o explotar.
- Nunca recargue una pila si no está completamente seguro de que es una pila recargable.

Para consumidores europeos

Deshacerse de aparatos eléctricos, electrónicos, pilas/baterías y acumuladores

- Todos los aparatos eléctricos y electrónicos, y pilas/baterías y acumuladores gastados, deben ser eliminados separados del resto de basura común y únicamente en los "puntos limpios" o bajo los procedimientos especificados por el gobierno o autoridades municipales locales.
- Con la eliminación correcta de los equipos eléctricos y electrónicos, y de pilas/baterías y acumuladores gastados, estará ayudando a conservar recursos muy valiosos y a evitar los posibles efectos negativos en la salud humana y en el medio ambiente.
- La eliminación incorrecta de los equipos eléctricos y electrónicos, y pilas/baterías y acumuladores, puede producir efectos muy dañinos en el medio ambiente y en la salud humana a causa de las sustancias peligrosas que pueden encontrarse en estos equipos.
- El símbolo de Eliminación de Aparatos Eléctricos y Electrónicos (WEEE en inglés), identificado por cubos de basura con ruedas tachados, indican que los equipos eléctricos y electrónicos, y las pilas/baterías y acumuladores, deben ser eliminados de forma totalmente independiente con respecto a la basura doméstica. Si una pila/batería o un acumulador contienen más cantidad de los valores especificados de plomo (Pb), mercurio (Hg), y/o cadmio (Cd) según está definido en la Directiva relativa a las pilas (2006/66/EC), entonces los símbolos químicos correspondientes a estos elementos estarán indicados debajo del símbolo WEEE.  
- Existen sistemas para la eliminación y recogida a disposición del usuario final. Si necesita más información sobre cómo deshacerse de aparatos eléctricos y electrónicos antiguos, así como de pilas/baterías y acumuladores, póngase en contacto con su ayuntamiento, con la correspondiente empresa del servicio de recogida de residuos o con el establecimiento donde adquirió ese aparato.

DECLARACIÓN DE CONFORMIDAD

TEAC AUDIO EUROPE, Liegnitzer Straße 6, 82194 Gröbenzell, Alemania, declara bajo su plena responsabilidad que el producto TEAC descrito en este manual cumple con las normas técnicas correspondientes.



Precauciones con los equipos inalámbricos

Cumplimiento de las normas de interferencias y transmisión de radio

Modelo para EE. UU.

Declaración de conformidad

Parte responsable:
TEAC AMERICA, INC.

Dirección: 1834 Gage Road, Montebello, California, U.S.A.

Número de teléfono: 1-323-726-0303

Este dispositivo cumple con el apartado 15 de las Normas de la FCC. Su funcionamiento está sujeto a las dos siguientes condiciones: (1) este dispositivo no puede causar interferencias perjudiciales y (2) este dispositivo debe aceptar cualquier interferencia recibida, incluyendo aquellas que puedan producir un funcionamiento no deseado.



Etiquetado de autorización
ID de la FCC: XEG-NT503

Modelo para el Espacio Económico Europeo (EEE)

Este equipo cumple con el estándar armonizado de la DIRECTIVA 1999/5/EC (R&TTE).

Etiquetado de conformidad con la
indicación CE:



PRECAUCIÓN

La autorización de dispositivos inalámbricos son diferentes según los países o regiones. Por favor, utilice el producto solamente en el país donde lo adquirió.

- Dependiendo del país, podrían existir restricciones para el uso de la tecnología inalámbrica Bluetooth.

Verifique las leyes y regulaciones del país o región donde vaya a utilizar la unidad antes de hacerlo.

Requerimientos acerca de la exposición a radiaciones

Este equipo cumple con la regulación internacionalmente reconocida para los casos de exposición humana a ondas de radio generadas por un transmisor.

Declaración de cumplimiento

Modelo para EE. UU.

Este equipo cumple con los límites de exposición a radiación establecidos por la FCC para entornos no controlados y cumple las directrices de la FCC en materia de exposición a radiofrecuencia.

Modelo para el Espacio Económico Europeo (EEE)

Este equipo cumple con la valoración EN.62311 de equipos electrónicos y eléctricos relativa a las restricciones de exposición humana a campos electromagnéticos, el estándar armonizado de la DIRECTIVA 1999/5/EC.

PRECAUCIÓN

Cualquier cambio o modificación efectuada en este equipo que no haya sido expresamente aprobada por la parte responsable del cumplimiento de los requisitos exigidos podría invalidar el derecho del usuario a utilizar el equipo.

Información sobre interferencias (requerimientos de la FCC)

Se ha comprobado que este equipo cumple con los límites establecidos para los dispositivos digitales de Clase B, de acuerdo con el apartado 15 de las Normas de la FCC. Estos límites están diseñados para proporcionar una protección razonable contra interferencias perjudiciales en instalaciones residenciales.

Este equipo genera, utiliza y puede irradiar energía de radiofrecuencia y, si no se instala y se utiliza de acuerdo con las instrucciones, puede causar interferencias perjudiciales en las comunicaciones por radio. Sin embargo, no se puede garantizar que dichas interferencias no se produzcan en instalaciones particulares. Si este equipo causa interferencias perjudiciales en la recepción de radio o televisión, que se comprueban apagando y encendiendo el equipo, se recomienda al usuario que intente corregirla mediante una o varias de las siguientes medidas.

- Reoriente o recolocque el equipo y/o la antena receptora.
- Aumente la separación entre el equipo y el receptor.
- Conecte el equipo a una toma de electricidad situada en un circuito eléctrico diferente al del receptor.
- Consulte al distribuidor o solicite ayuda a un técnico de radio/TV con experiencia.

Trademarks and other legal statement

MPEG Layer-3 audio coding technology licensed from Fraunhofer IS and Thomson.

"DSD" is a registered trademark.

The Bluetooth® word mark and logos are registered trademarks owned by Bluetooth SIG, Inc. and any use of such marks by TEAC CORPORATION is under license.

© 2013 CSR plc and its group companies. The aptX® mark and the aptX logo are trade marks of CSR plc or one of its group companies and may be registered in one or more jurisdictions.

This product is protected by certain intellectual property rights of Microsoft. Use or distribution of such technology outside of this product is prohibited without a license from Microsoft.

Windows and Windows Media are either registered trademarks or trademarks of Microsoft Corporation in the United States and/or other countries.

Mac, Mac OS and OS X are trademarks of Apple Inc., registered in the U.S. and other countries.

IOS is a trademark or registered trademark of Cisco in the U.S. and other countries and is used under license.

Android is a trademark of Google Inc.

DLNA®, the DLNA Logo and DLNA CERTIFIED® are trademarks, service marks, or certification marks of the Digital Living Network Alliance.

Los nombres de otras compañías y de productos que aparecen en este documento son marcas comerciales o registradas de sus respectivos propietarios.

Information about copyrights and licensing related to open-source software is provided in the separate "Important Notice Regarding Software" document.

Listening to SiriusXM Internet Radio

To listen to SiriusXM Internet Radio, you'll need to subscribe to SiriusXM Internet Radio service and obtain a username and password. SiriusXM Internet Radio is available to residents of the United States and Canada.

SiriusXM Internet Radio delivers a variety of commercial-free music including Pop, Rock, Country, R&B, Hip-Hop, Jazz, Classical and much more, plus expert sports talk and analysis. You also get exclusive entertainment, talk, comedy, family programming, local traffic and weather and news from your most trusted sources.

Once you've purchased a SiriusXM Internet Radio compatible tuner you'll need to subscribe to the service to listen to SiriusXM Internet Radio. There are a variety of programming packages available, including the option of adding "The Best of XM" programming to the SiriusXM Internet Radio service. "The Best of XM" service is not available to Sirius Canada subscribers at this time. Please check with Sirius Canada for any updates using the numbers and web address below.

Family friendly packages are also available to restrict channels that feature mature programming.

To subscribe to SiriusXM Internet Radio, U.S. customers should visit www.sirius.com or call 1-888-539-SIRI (1-888-539-7474). Canadian customers should visit www.siriuscanada.ca.

Current XM Radio Online subscribers will need to log into the XM online account manager and update their password in order for their credentials to work on a SiriusXM Internet Radio compatible device. If the username is over 20 characters or their device doesn't support the "@" character in the username, subscribers need to update the username on the same screen.

WARRANTY/GARANTIE/GARANTÍA

Europe/Europa

This product is subject to the legal warranty regulations of the country of purchase. In case of a defect or a problem, please contact the dealer where you bought the product.

Ce produit est sujet aux réglementations concernant la garantie légale dans le pays d'achat. En cas de défaut ou de problème, veuillez contacter le revendeur chez qui vous avez acheté le produit.

Las condiciones de garantía de este aparato están sujetas a las disposiciones legales sobre garantía del país en el que ha sido adquirido. En caso de garantía, debe dirigirse al establecimiento donde adquirió el aparato.

In countries/regions other than the USA, Canada and Europe

This warranty gives you specific legal rights, and you may also have other rights that vary by country, state or province. If you have a warranty claim or request, please contact the dealer where you bought the product.

该保证书赋予了顾客特定的合法权利，并且因国家，州或省等地域的不同，顾客可能拥有其他权利。如需申请或要求保修，请与购买本产品的销售店进行联系。

TEAC

TEAC CORPORATION	1-47 Ochiai, Tama-shi, Tokyo 206-8530 Japan	Phone: +81-42-356-9156
TEAC AMERICA, INC.	1834 Gage Road, Montebello, California 90640 U.S.A.	Phone: +1-323-726-0303
TEAC AUDIO EUROPE	Liegnitzer Straße 6, 82194 Gröbenzell, Germany	Phone: +49-8142-4208-141

This device has a serial number located on its rear panel. Please record the serial number and retain it for your records.

Model name: NT-503 Serial number: _____