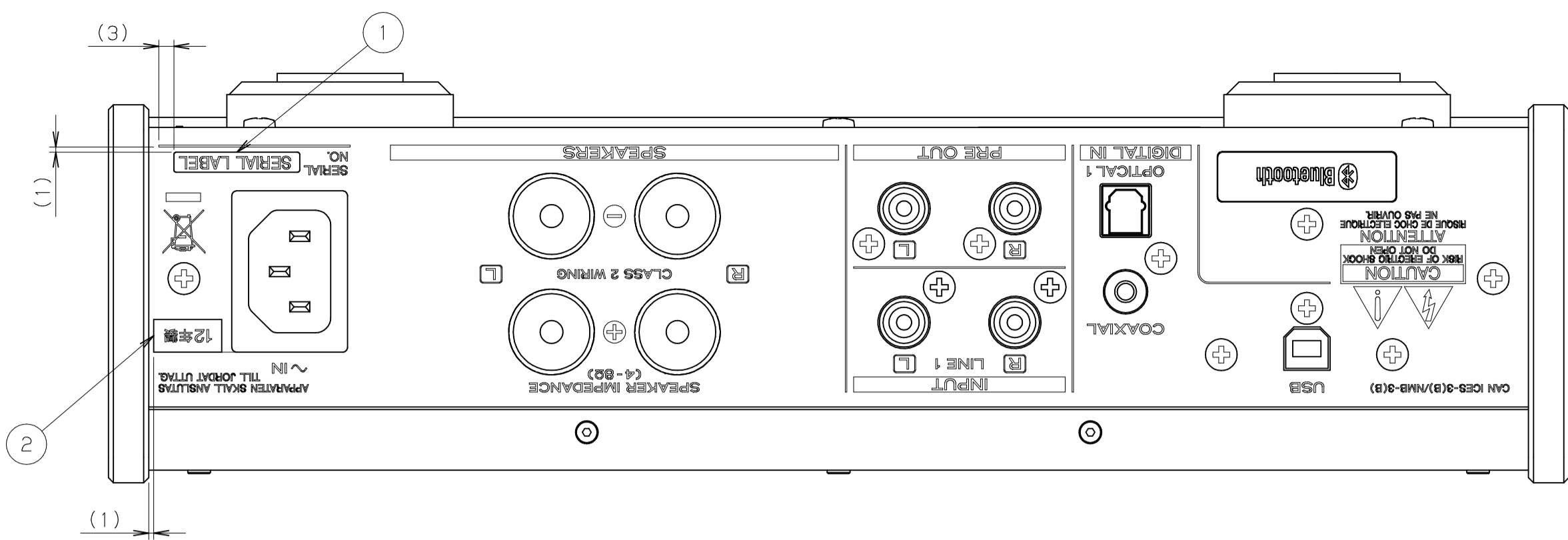


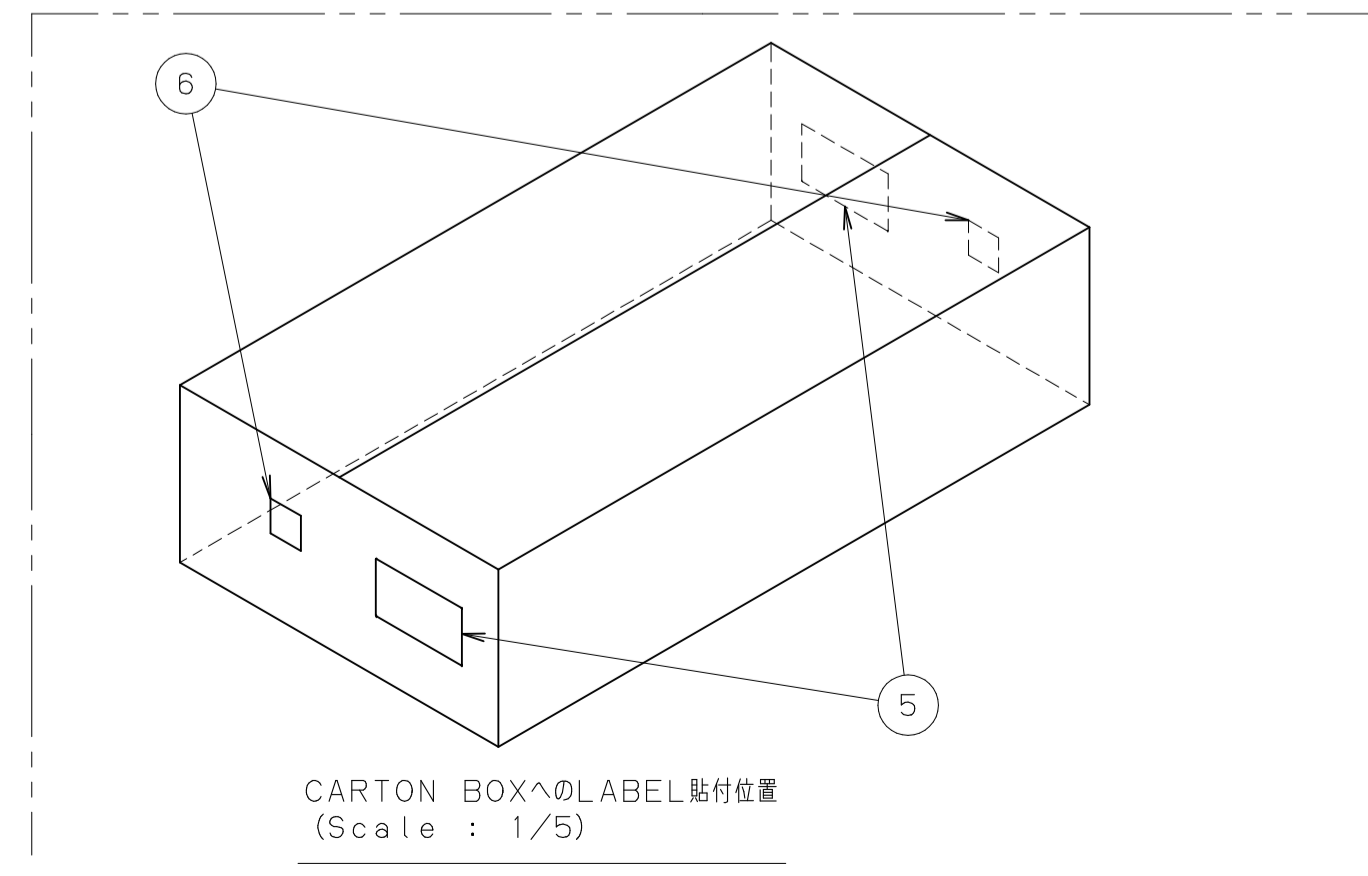
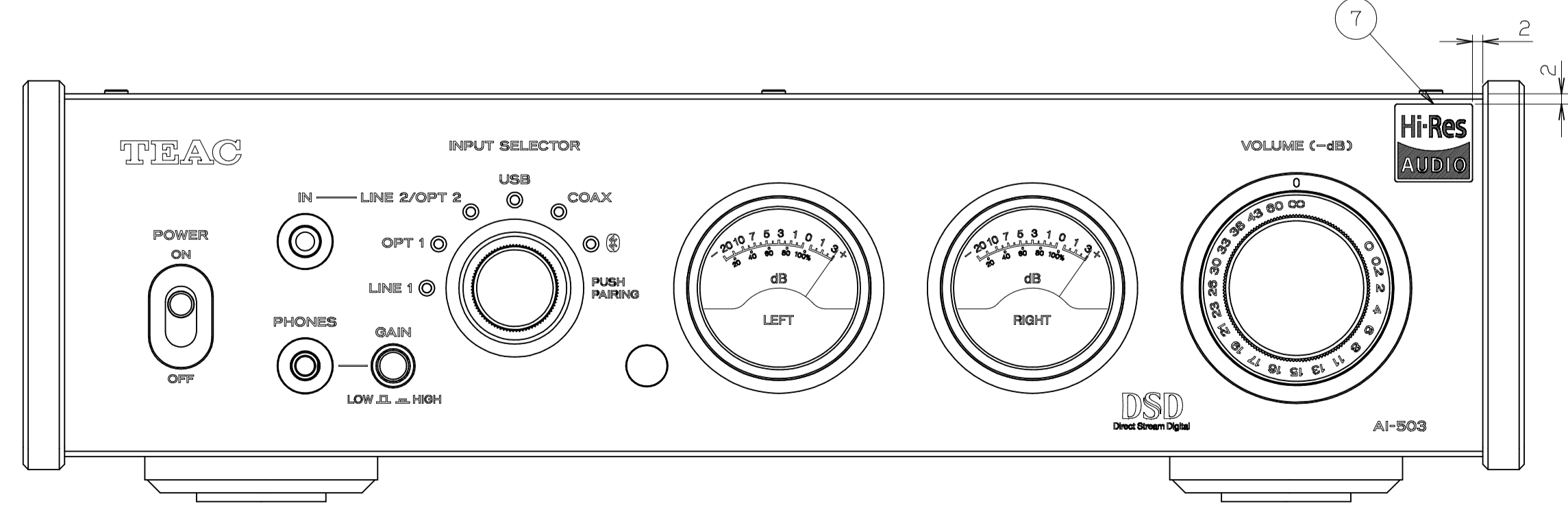
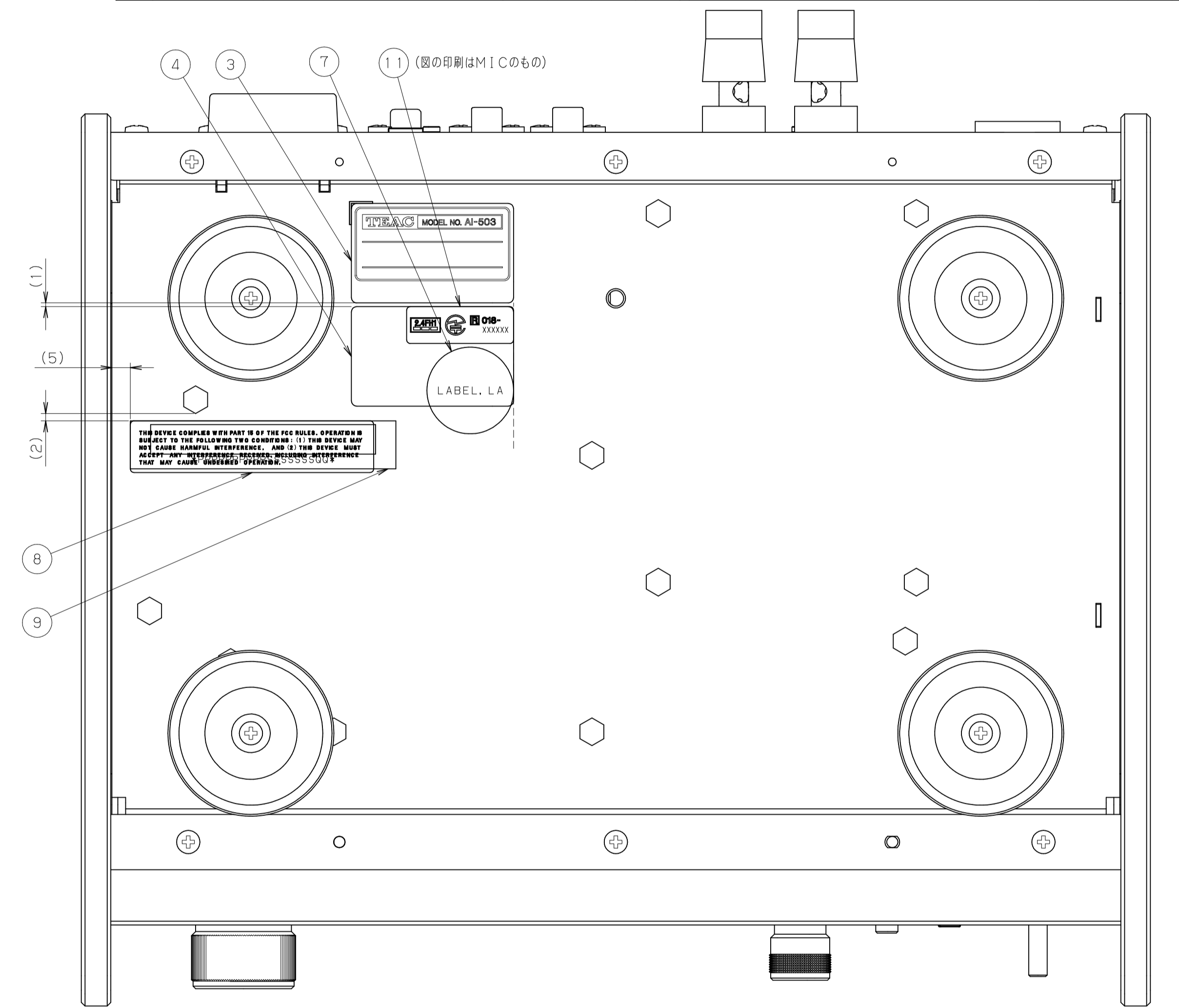
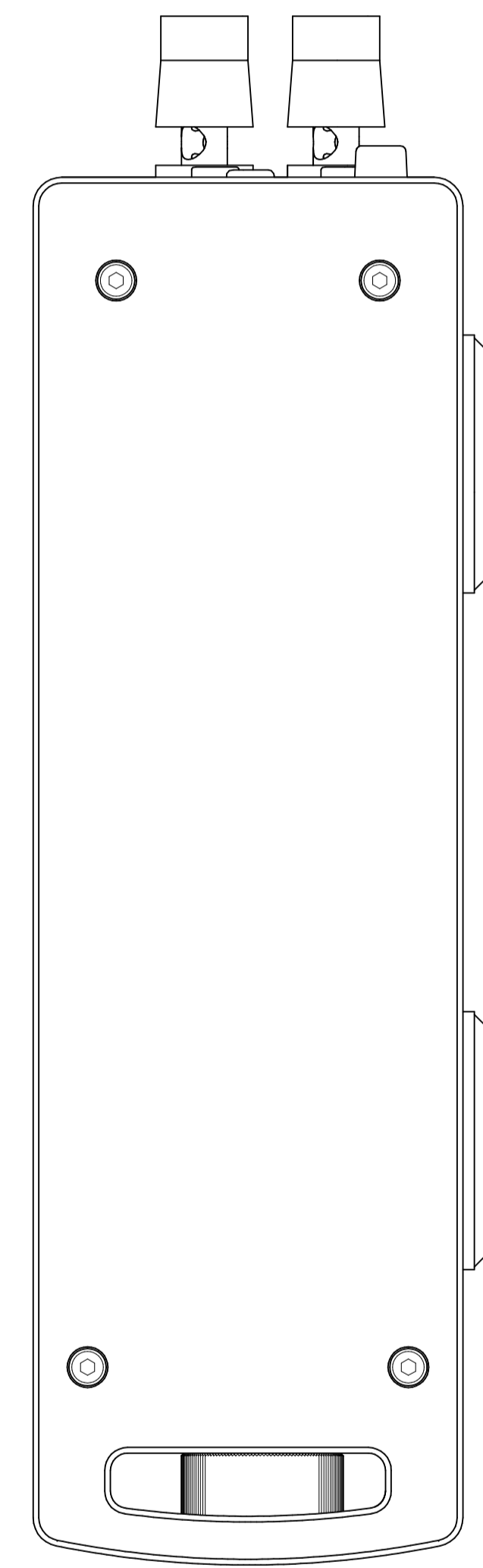
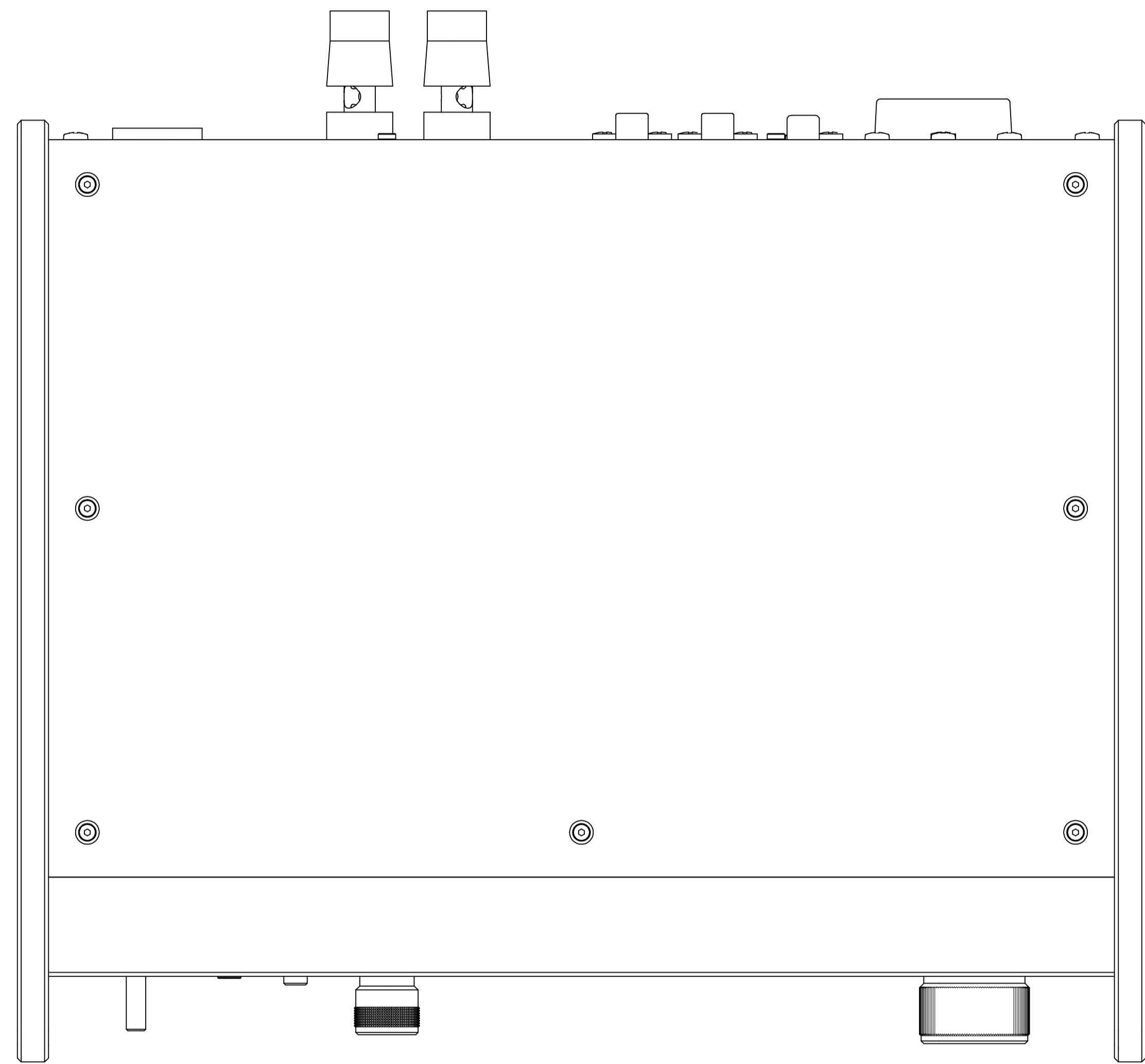
MODEL	A1-503
機種	x
	x
	x
	x
	x
	x
	x
	x
	x



各仕向けのLABEL, NP

<p>M03907401* LABEL, NP A1-503 JPN</p>	<p>M03907421* LABEL, NP A1-503 T/C-E</p>
<p>M03907450* LABEL, NP A1-503 EUR</p>	<p>M03907454* LABEL, NP A1-503 CHI</p>

REF NO	PART NO	DWG NO	DESCRIPTION	QTY	REMARKS	A1-503-B				A1-503-S					
						JPN	T/C-E	EUR	CHI	JPN	T/C-E	EUR	CHI		
①	M02568700*		LABEL, S/N MPTG1 G	○	○	○	○	←	←	←	←	←	←	←	←
②	3D0796000*		YEAR LABEL BLACK	←	←	←	←	←	←	←	←	←	←	←	←
③	M03907401*		LABEL, NP A1-503 JPN	←	←	←	←	←	←	←	←	←	←	←	←
	M03907421*		LABEL, NP A1-503 T/C-E	←	←	←	←	←	←	←	←	←	←	←	←
	M03907450*		LABEL, NP A1-503 EUR	←	←	←	←	←	←	←	←	←	←	←	←
	M03907454*		LABEL, NP A1-503 CHI	←	←	←	←	←	←	←	←	←	←	←	←
④	M03849200*		LABEL, EU IMPORTER G	←	←	←	←	←	←	←	←	←	←	←	←
⑤	M03908001*		LABEL, TP A1-503-B JPN	○	←	←	←	M03908101*	LABEL, TP A1-503-S JPN	○	←	←	←	←	←
	M03908021*		LABEL, TP A1-503-B T/C-E	←	○	←	←	M03908121*	LABEL, TP A1-503-S T/C-E	←	○	←	←	←	←
	M03908050*		LABEL, TP A1-503-B EUR	←	←	○	←	M03908150*	LABEL, TP A1-503-S EUR	←	←	○	←	←	←
	M03908054*		LABEL, TP A1-503-B CHI	←	←	←	○	M03908154*	LABEL, TP A1-503-S CHI	←	←	←	○	←	←
⑥	3M0873600*		LABEL, BLACK	○	○	○	○	3M0873500*	LABEL, SILVER	○	○	○	○	○	○
⑦	M03739600*		LABEL, HI-RES 15X15 G	○	○	○	○			○	○	○	○	○	○
⑧	3M0026900*		LABEL, FCC G	←	○	←	←			←	○	←	←	←	←
⑨	M0363100*		LABEL, BARCODE ONKYO G	←	←	←	←			←	←	←	←	←	←
⑩	5026521000		LABEL, LA	←	○	←	←			←	○	←	←	←	←
⑪	M03932100*		LABEL, MIC A1-503 JPN	○	←	←	←			○	←	←	←	←	←
	M03932200*		LABEL, FCC-ID A1-503 T/C-E	←	○	←	←			←	○	←	←	←	←



CHI以外の仕向け用
(CHI仕向けは、CCC認証合格後にP2に追加予定)

REV	ECN NO	DATE	PLANNED	APPROVED	MATERIAL 材料	
					FINISH 仕上	
					TREATMENT 処理	
APPROVED	新妻	16-10-12	UNIT mm	TOLERANCE 公差	D01302800A	
CHECKED	宮本	16-10-12	ANGLE	TS-E 10232_class D	PART NO 品番	APPLICATION 適用
PLANNED	横口	16-10-12	SCALE	1:1	PART TITLE 品名	DWG, SEAL STICK A1-503
DRAWN	横口	16-10-12	SCALE	1:1	DWG TITLE	貼付図
					DWG NO 図番	D01302800
					製図者	横口
					TEAC ティアック株式会社	
					REduced 縮小	

安規承認
16/10/12
客戶

D 値	±0.25
30 < L ≤ 100	±0.45
100 < L ≤ 315	±0.6
315 < L ≤ 1000	±1.1
L > 1000	±2.0

DATE: 2016/10/11 TIME: 15:18:50 DIRECTOR: C:\Users\k27\Desktop\A1-503\Work\A1-503\A1-503.dwg DRAWING: 001302800_001_DWG_SEAL_STICK_A1503_1