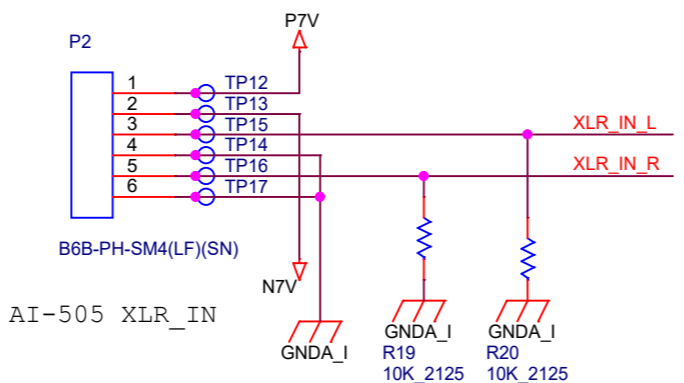
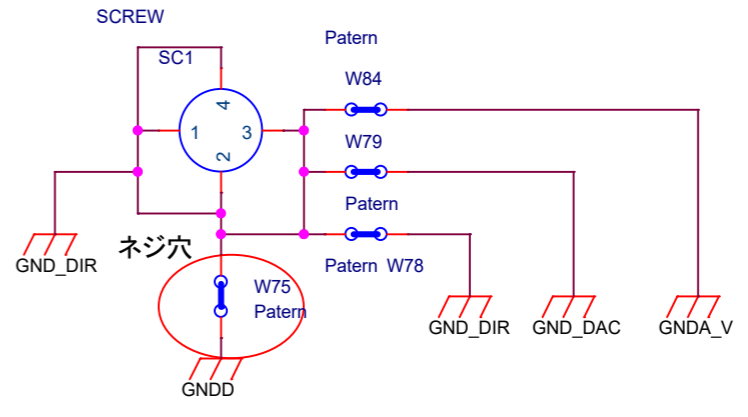
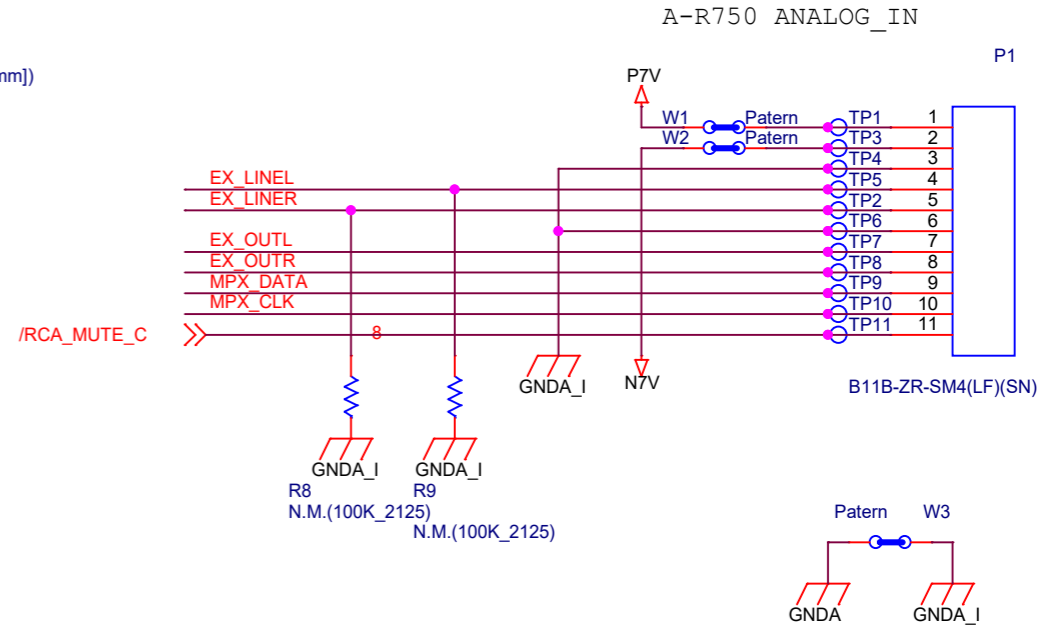
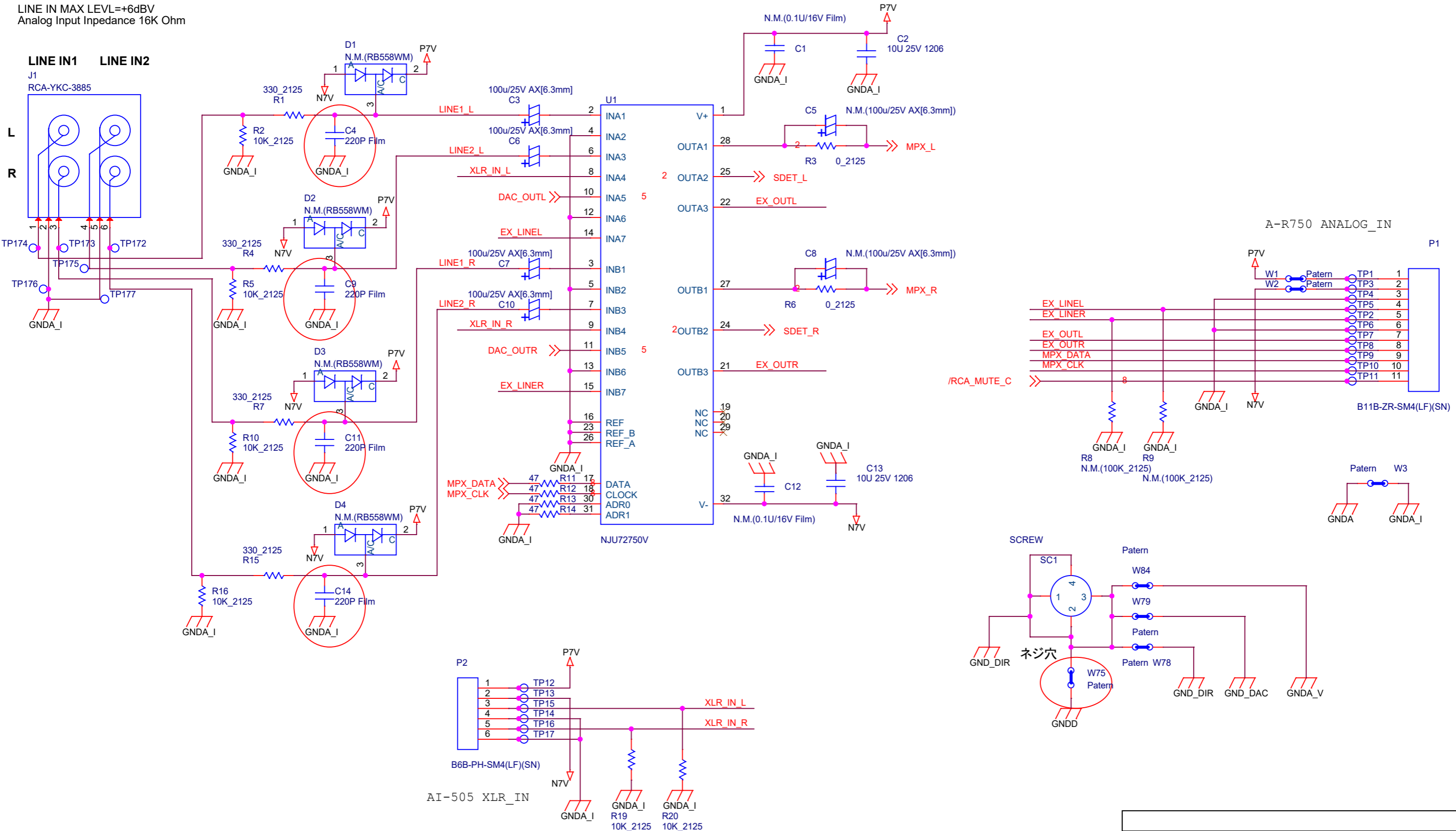
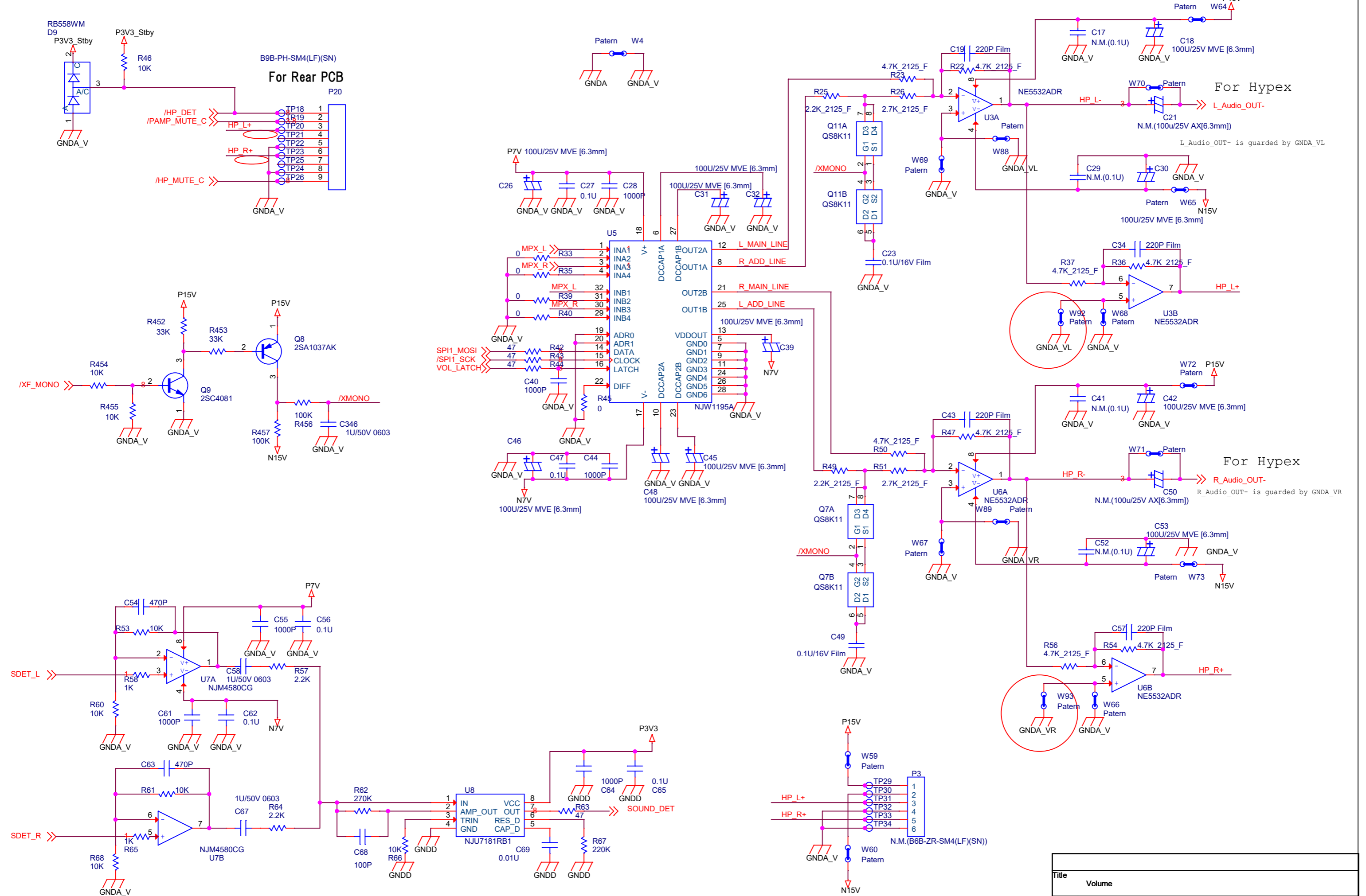


LINE IN MAX LEVEL=+6dBV
Analog Input Impedance 16K Ohm

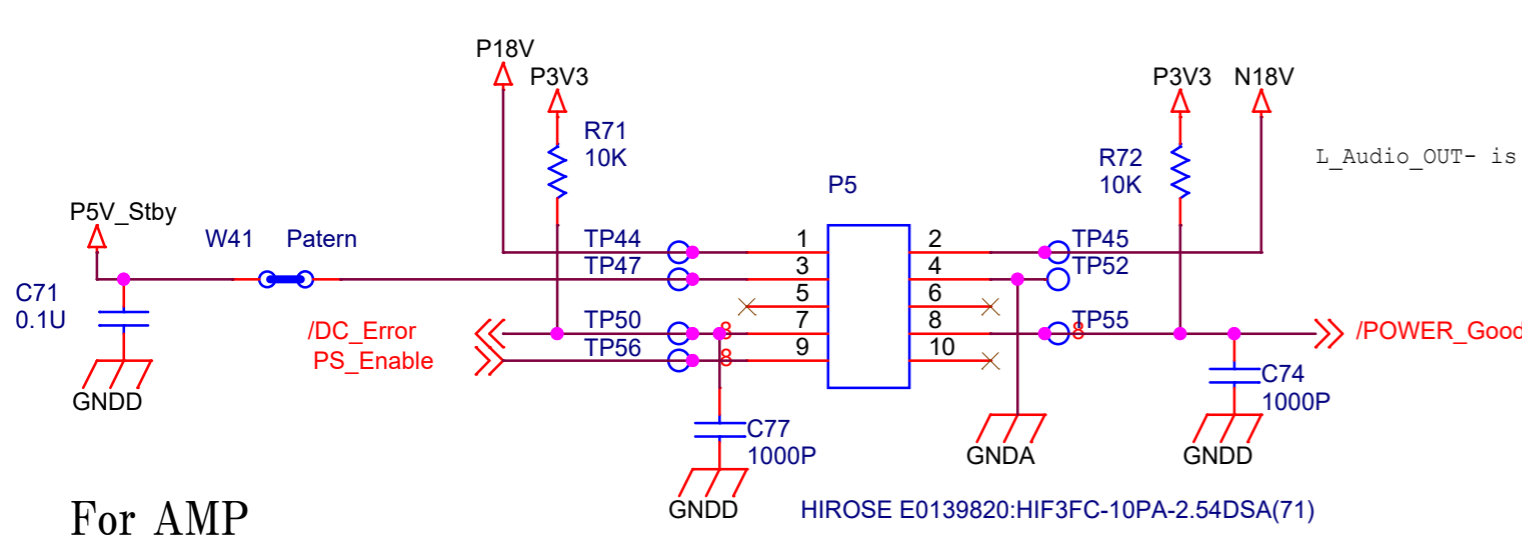


Title		
Audio_in		
Size	Document Number	Rev
B	<Doc>	EPP
Date:	Wednesday, September 14, 2022	Sheet 1 of 9

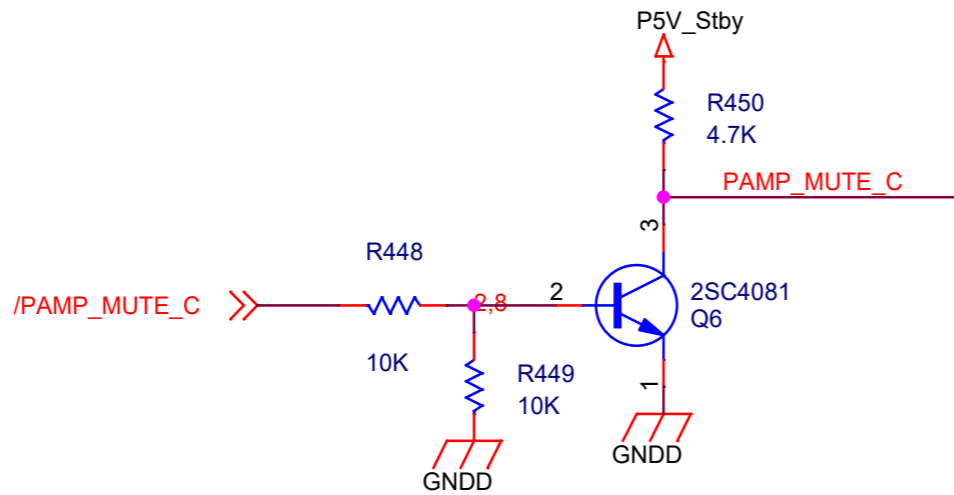
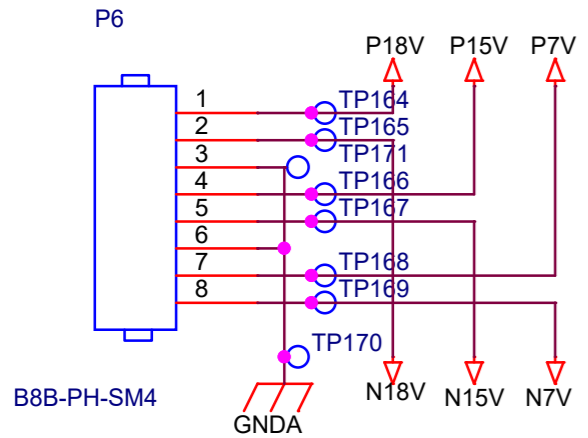
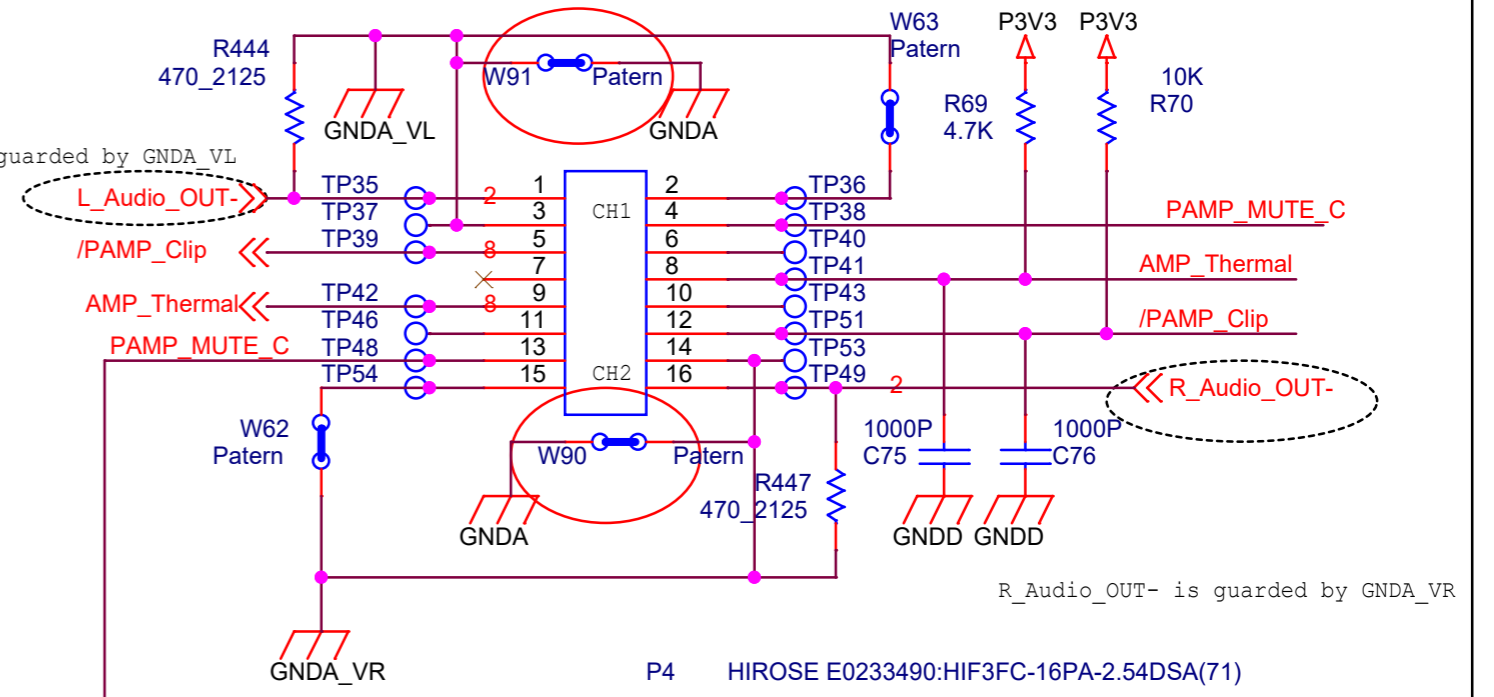


For AI-505 Meter Circuit

Title		Volume
Size	Document Number	Rev
A3	<Doc>	EPP
Date:	Wednesday, September 14, 2022	Sheet 2 of 9

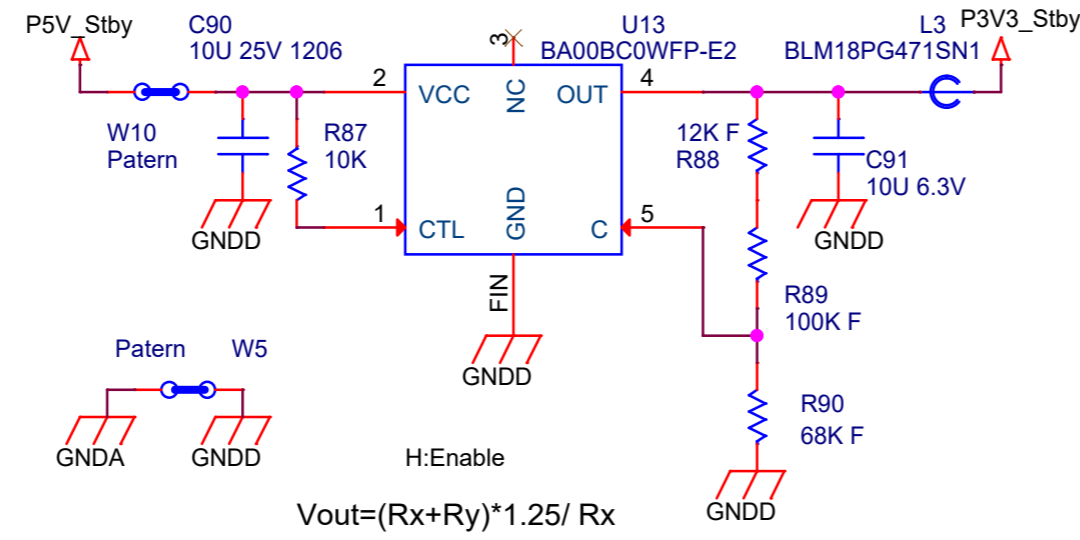


For AMP

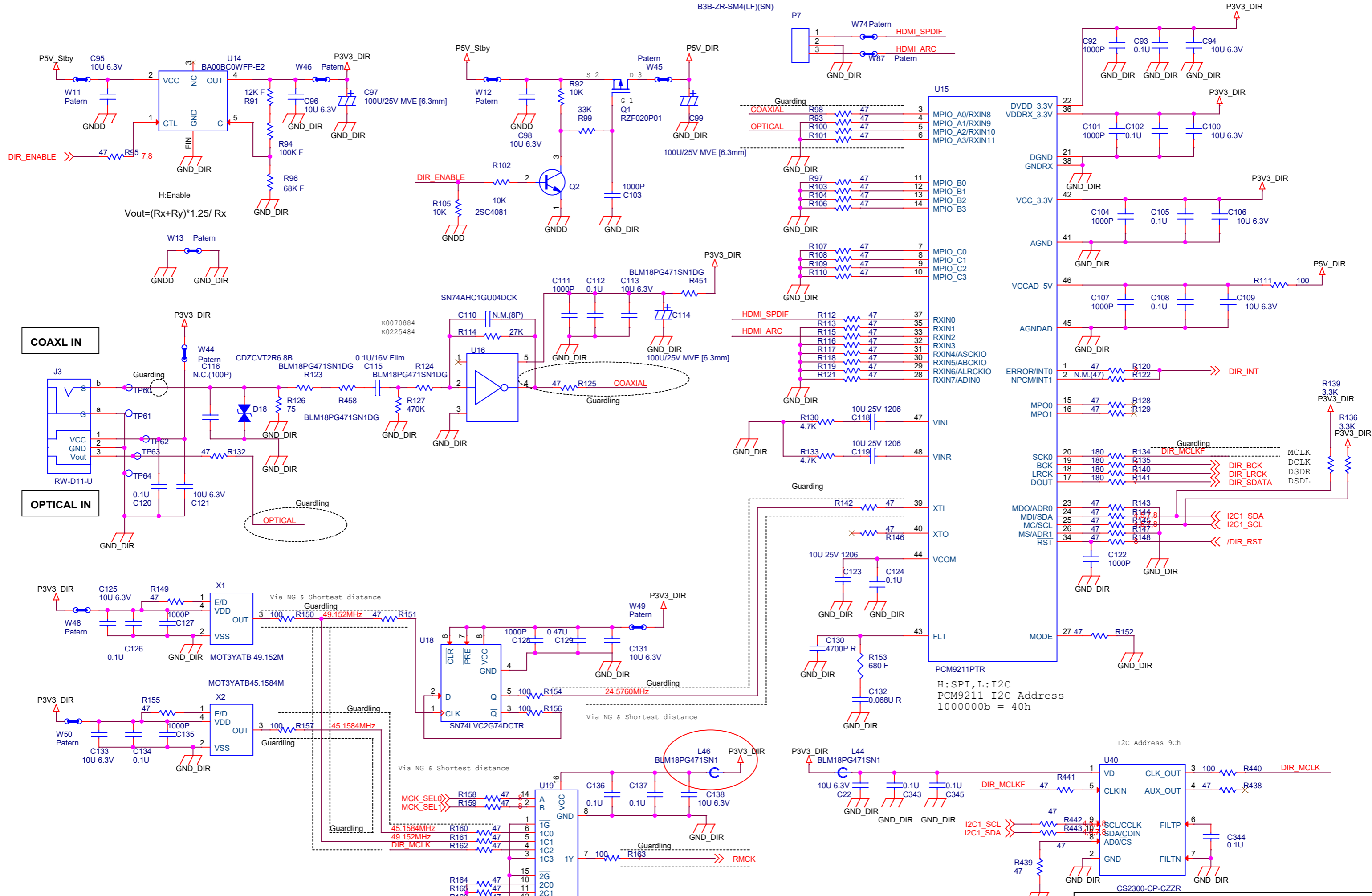


TRANS
3E0833700A AX-501,UD-501 TRANS
0.2A +-15V OUTPUT
Input Mulchi 100V-230V

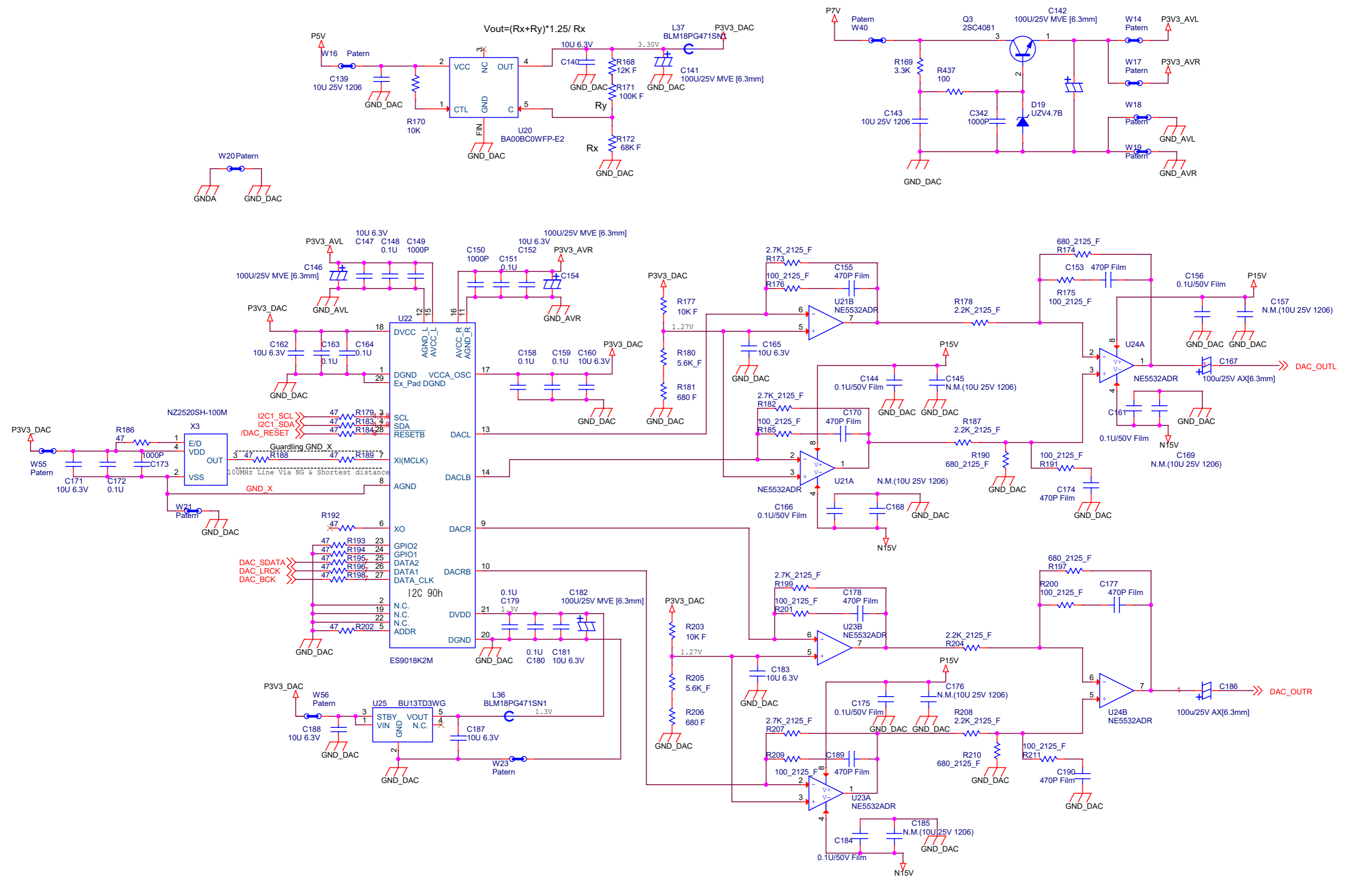
From AI-505 Trans



Title		
For Power_Amp		
Size	Document Number	Rev
A4	<Doc>	EPP
Date:	Wednesday, September 14, 2022	Sheet 3 of 9

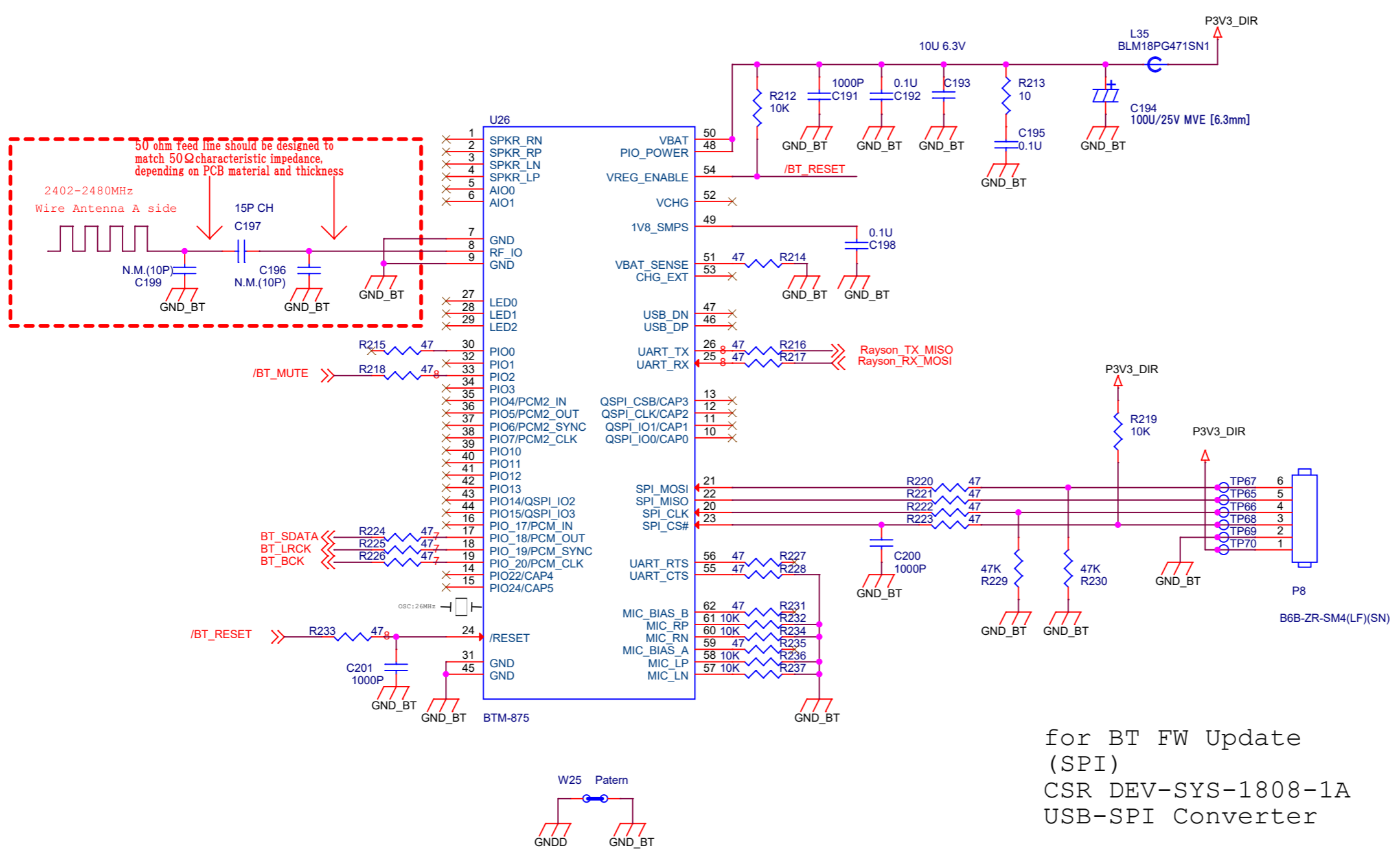


Title			DIR		
Size	Document Number		Rev		
A3	<Doc>		EPP		
Date:	Wednesday, September 14, 2022		Sheet	4	of 9

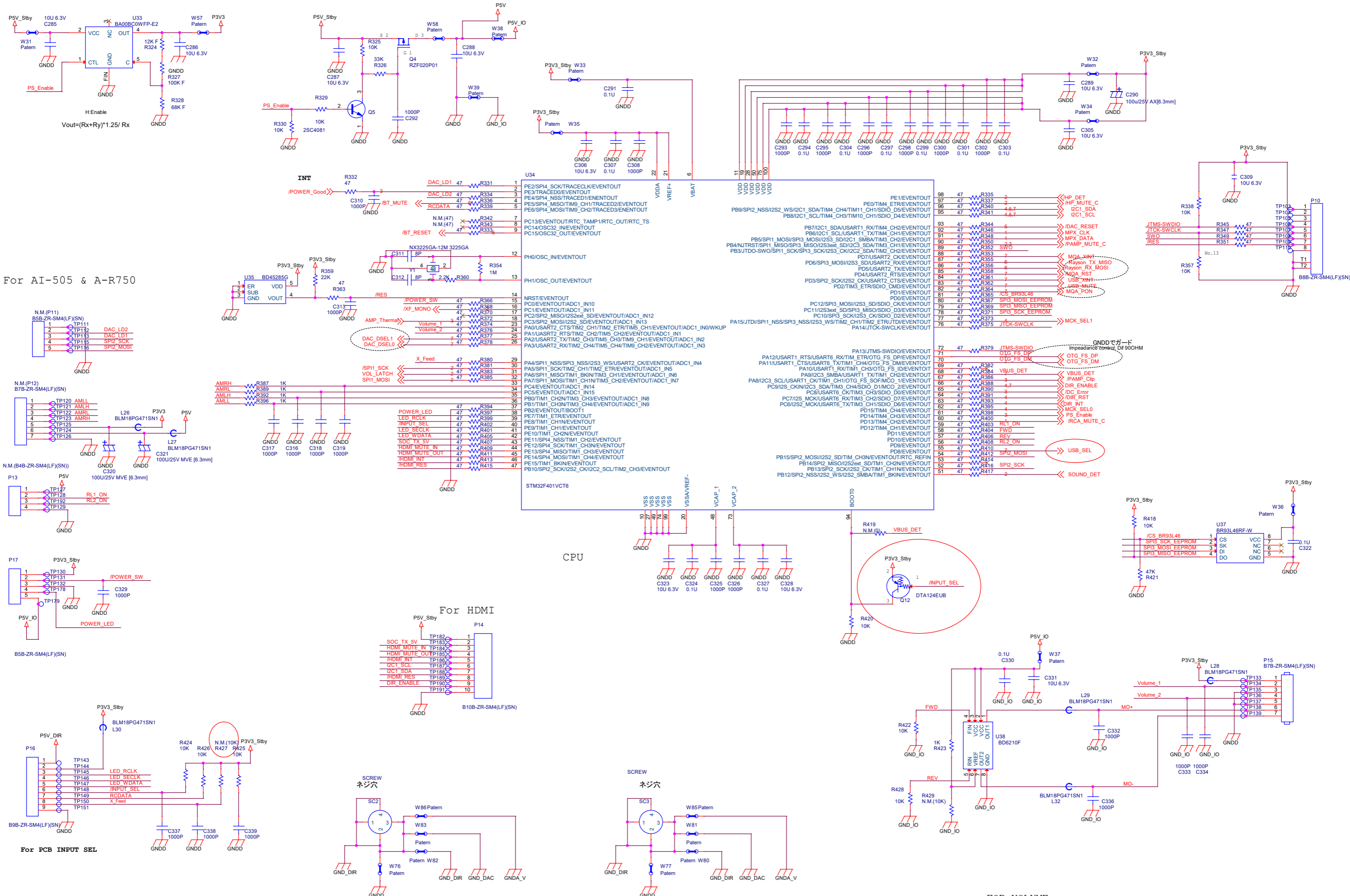


$$V_{out} = (R_x + R_y) * 1.25 / R_x$$

Title		
DAC		
Size	Document Number	Rev
A3	<Doc>	EPP
Date:	Wednesday, September 14, 2022	Sheet 5 of 9



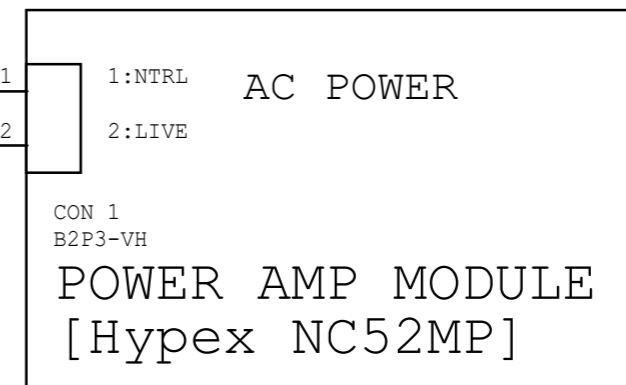
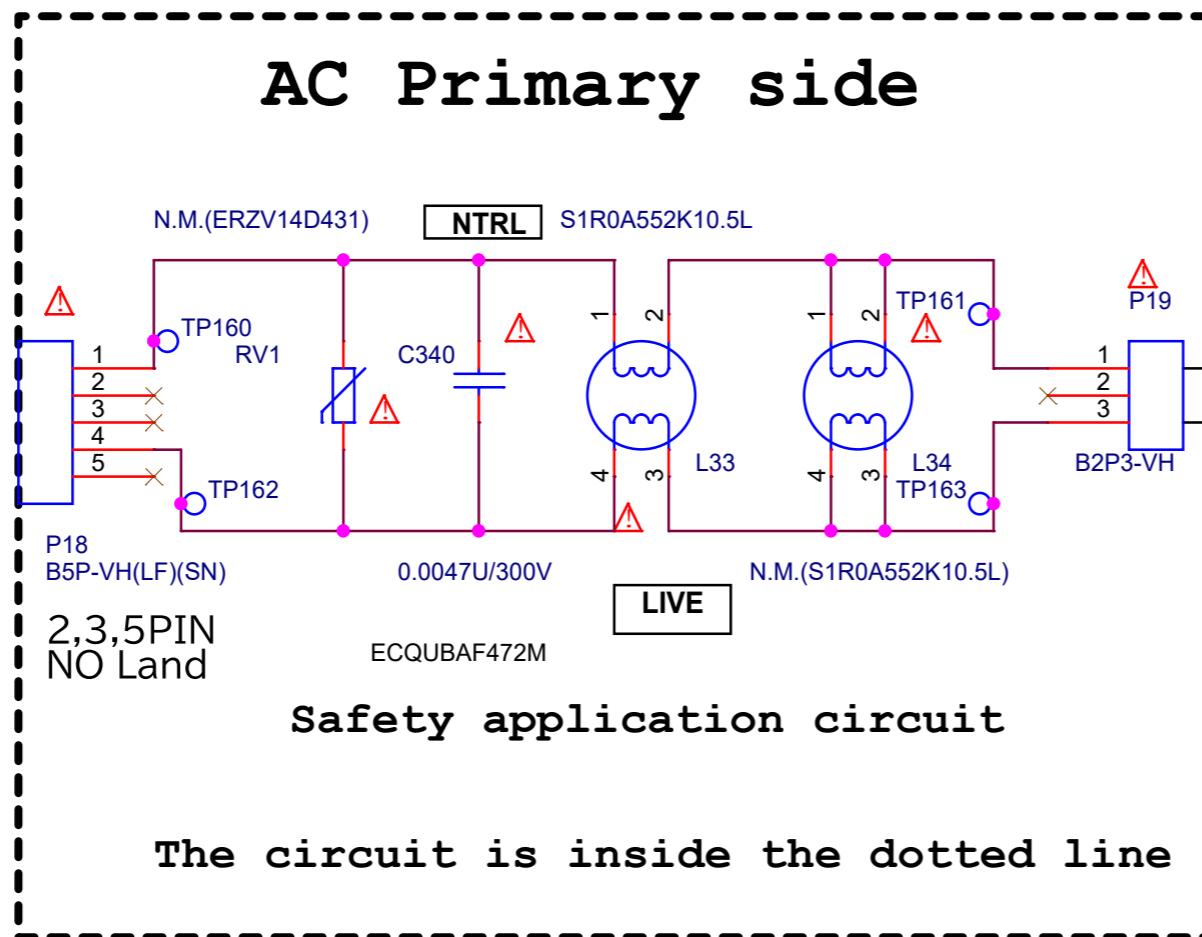
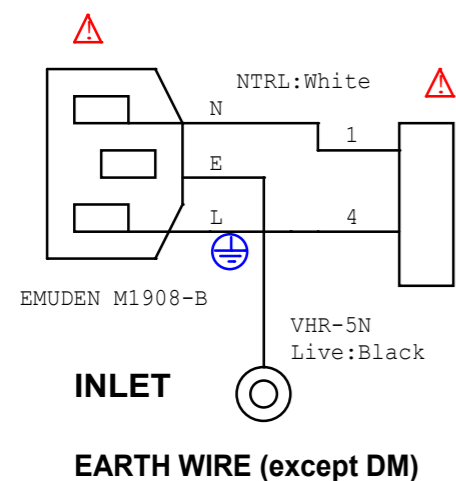
Title		
Bluetooth		
Size	Document Number	Rev
A3	<Doc>	EPP
Date:	Wednesday, September 14, 2022	Sheet 6 of 9



For AI-505 & A-R750

Title	CPU		
Size	Document Number		Rev
A2	<Doc>		EPP
Date:	Wednesday, September 14, 2022	Sheet	8 of 9

AC 100V-240V IN



Title		
AC_IN		
Size	Document Number	Rev
A4	<Doc>	EPP
Date:	Wednesday, September 14, 2022	Sheet 9 of 9