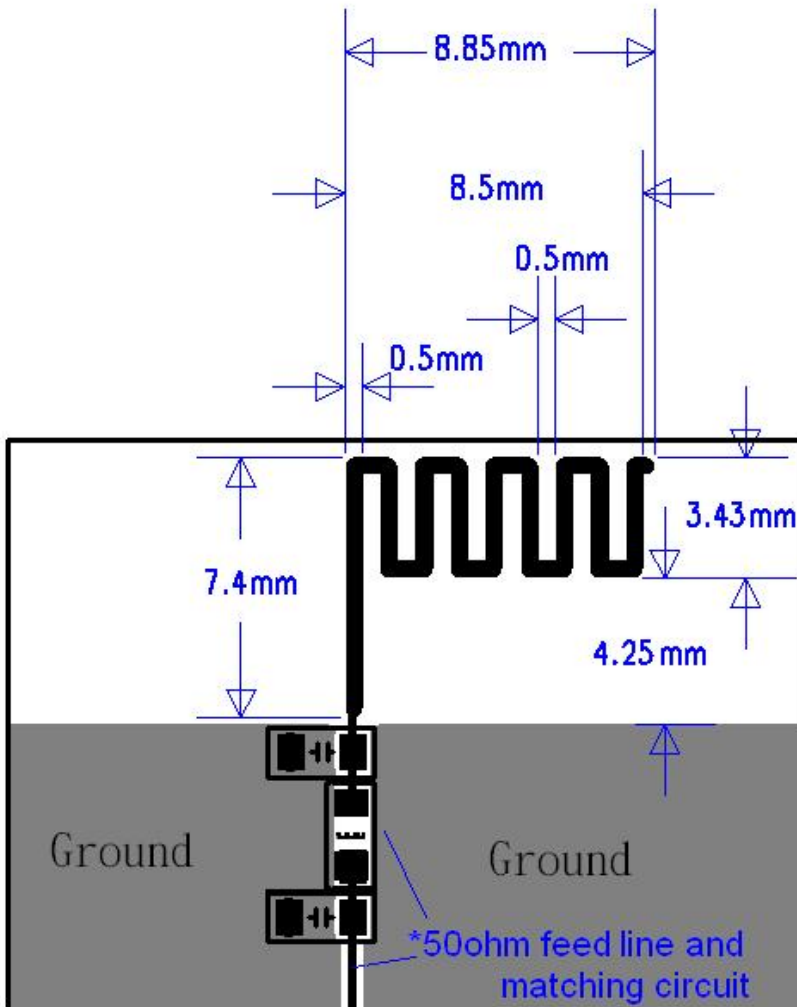


# Printed antenna test report

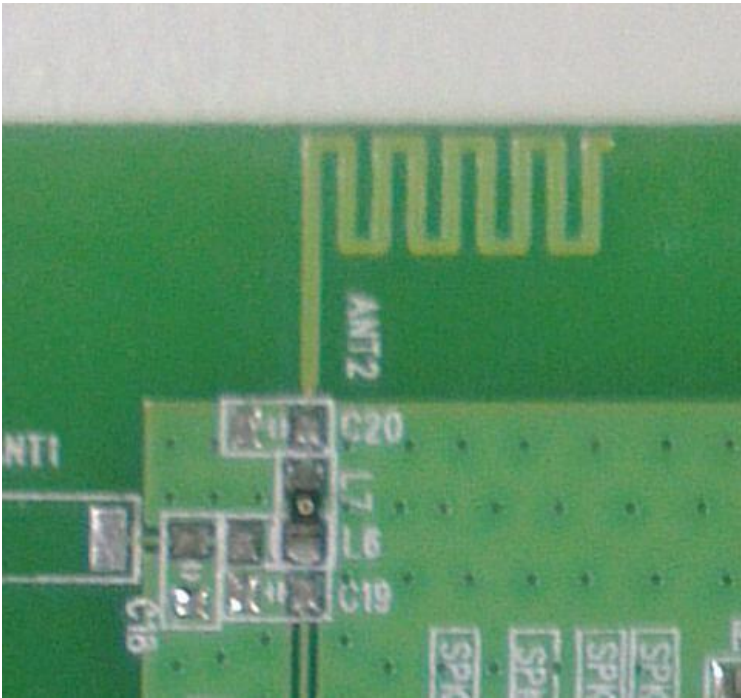
(A).Printed antenna pattern:



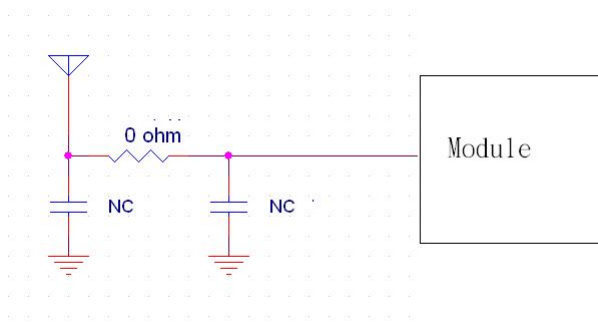
\* 50 ohm feed line should be designed to match  $50\Omega$  characteristic impedance, depending on PCB material and thickness

ITEM	ANT SPEC
Model Name	2.4G ANT
MAX. Gain	1.54 dBi
Manufacturer	Hotel Technologies Inc.
Address	1-47 Ochiai, Tama-shi, Tokyo, Japan

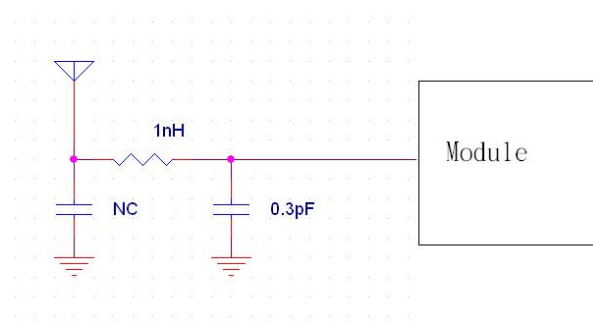
(B) Test Board:



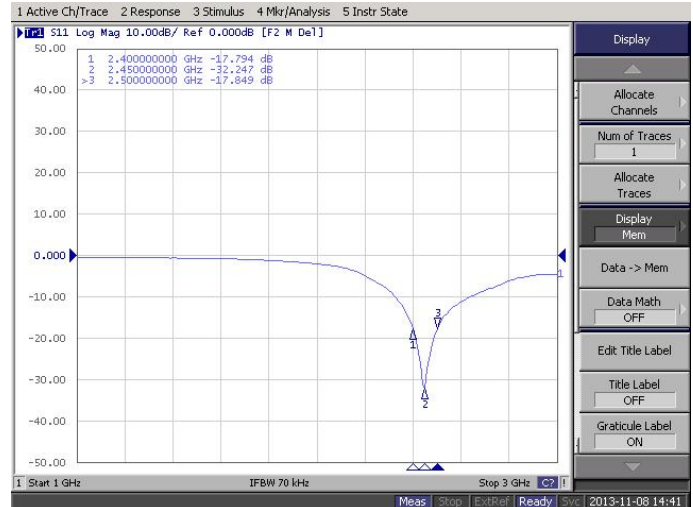
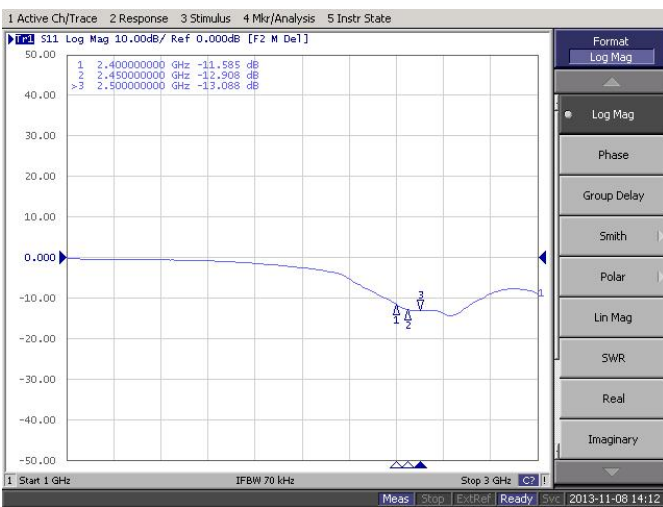
(B1). Without matching circuit:



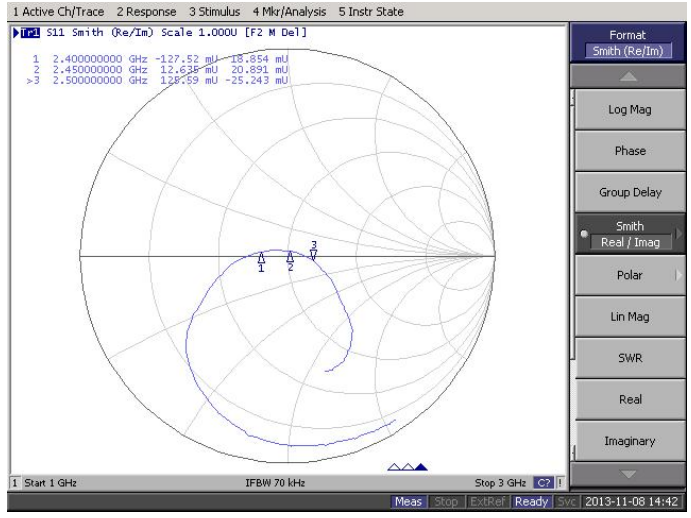
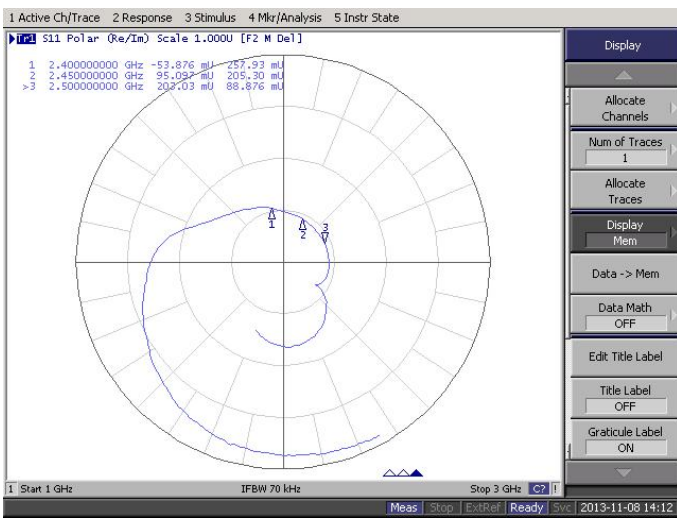
(B2). With matching circuit:



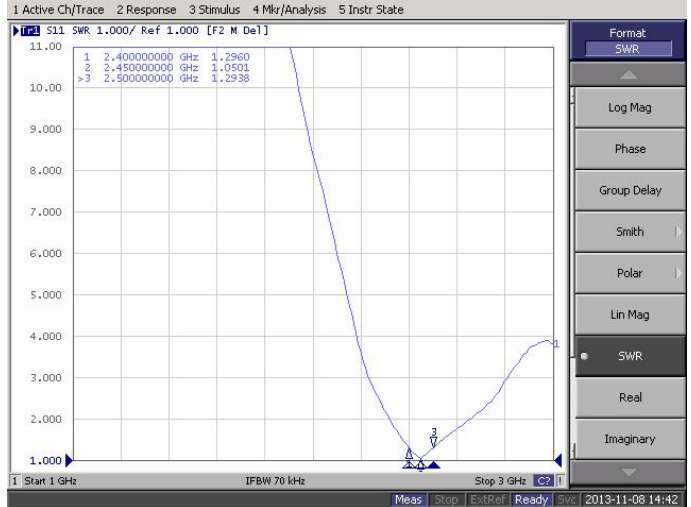
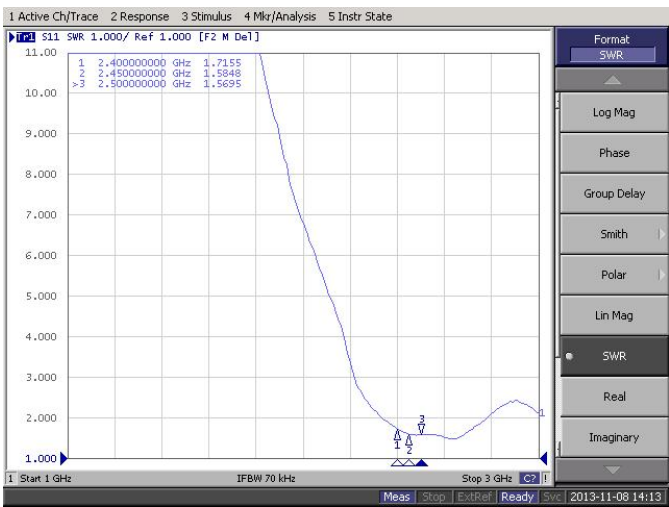
Return loss



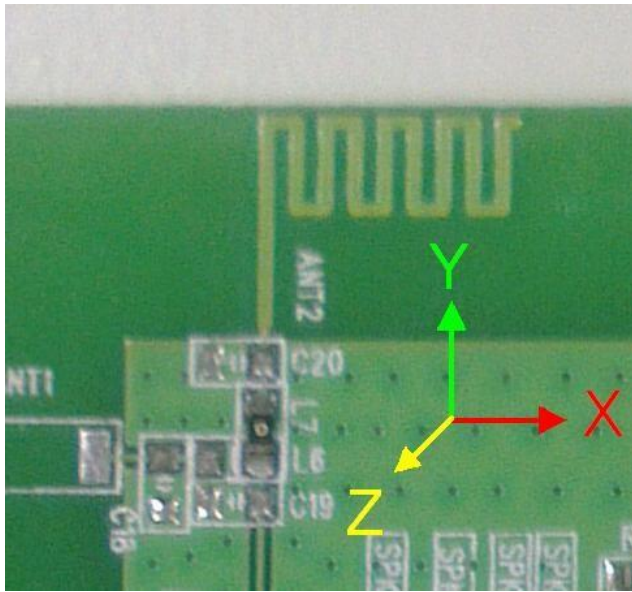
# Smith chart



# VSWR



(C) Radiation Patterns of test board (with matching)



Gain Table(Unit :dBi):

@2.45G	Peak	Avg. gain
X-Y-H	1.	-
X-Y-V	-	-
X-Z-H	-	-
X-Z-V	1.1	-
Y-Z-H	-	-
Y-Z-V	-	-

X-Y cut @2.45GHz

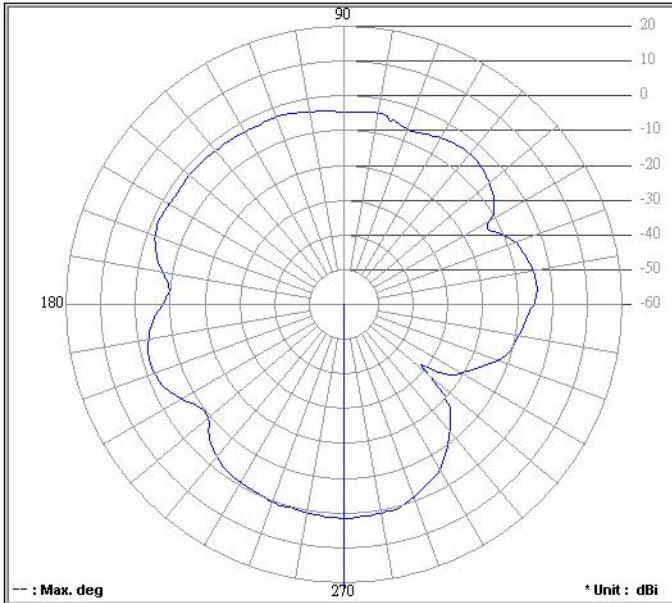


香港商立德國際商品試驗有限公司桃園分公司

A D T Bureau Veritas Consumer Products Services (H.K.) Ltd., Taoyuan Branch [ Bureau Veritas ADT ]  
www.adt.com.hk | Hwa Yeh Lab & Head Office, Tel +886-3-3153322 / Linkou EMC/RF Lab, Tel +886-2-26262180 / Hsinchu EMC/RF Lab, Tel +886-3-6936343

Brand / Model : Printed Antenna  
Remark : TX Mode, EUT X-Y, 2450 MHz  
Sample No. 01  
Tested by : CS(LOOK)

Location: **RF Chamber C** Date: **2013/11/27** Time: **下午 03:06:04**  
Temperature (°C): **25** Humidity (%): **75** Approved by:



Frequency (MHz): **2450.00** Antenna Polarity: **Horizontal** Average Value (dBi): **-3.43**  
Maximum Value (dBi): **1.54** Maximum Value (degree): **270**  
Minimum Value (dBi): **-32.08** Minimum Value (degree): **322**

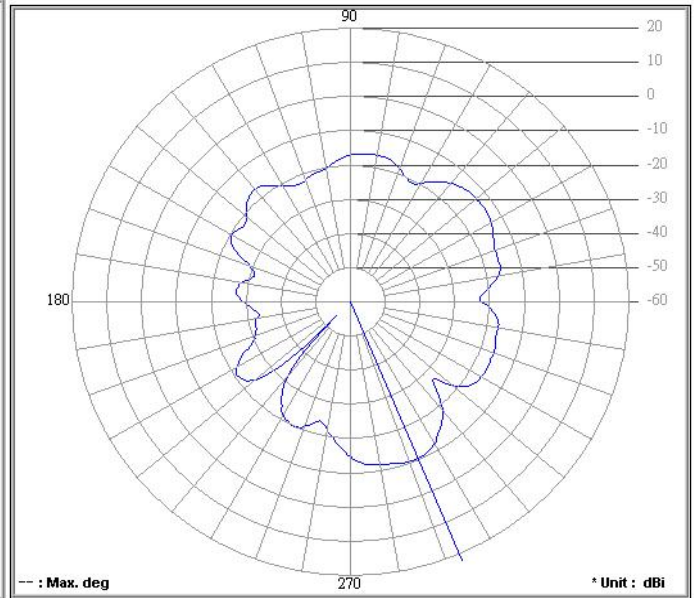


香港商立德國際商品試驗有限公司桃園分公司

A D T Bureau Veritas Consumer Products Services (H.K.) Ltd., Taoyuan Branch [ Bureau Veritas ADT ]  
www.adt.com.hk | Hwa Yeh Lab & Head Office, Tel +886-3-3153322 / Linkou EMC/RF Lab, Tel +886-2-26262180 / Hsinchu EMC/RF Lab, Tel +886-3-6936343

Brand / Model : Printed Antenna  
Remark : TX Mode, EUT X-Y, 2450 MHz  
Sample No. 01  
Tested by : CS(LOOK)

Location: **RF Chamber C** Date: **2013/11/27** Time: **下午 03:07:55**  
Temperature (°C): **25** Humidity (%): **75** Approved by:



Frequency (MHz): **2450.00** Antenna Polarity: **Vertical** Average Value (dBi): **-17.17**  
Maximum Value (dBi): **-10.16** Maximum Value (degree): **293**  
Minimum Value (dBi): **-54.18** Minimum Value (degree): **226**

D:\測試程式\Antenna Pattern V6.1\Graph\1127\11270007.png

D:\測試程式\Antenna Pattern V6.1\Graph\1127\11270008.png





Y-Z cut @2.45GHz

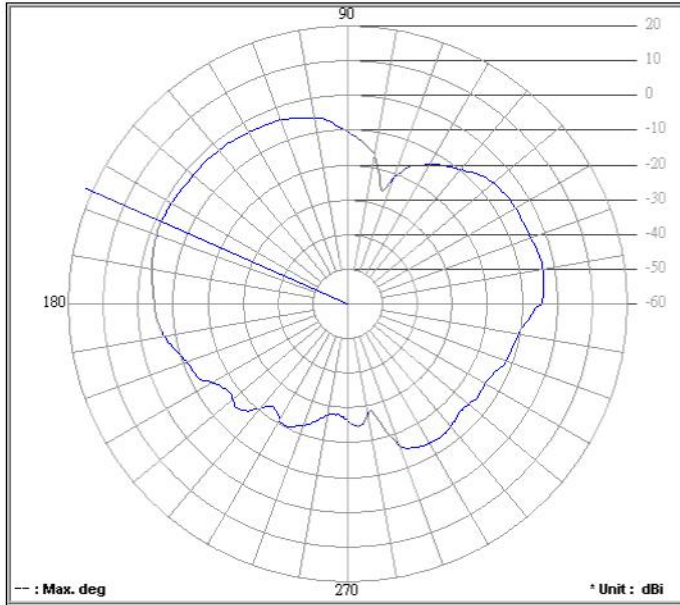


香港商立德國際商品試驗有限公司桃園分公司

A D T Bureau Veritas Consumer Products Services (H.K.) Ltd., Taoyuan Branch [ Bureau Veritas ADT ]  
 www.adt.com.hk Hwa Yeh Lab & Head Office, Tel +886-3-3183332 / Unkou EMC/RF Lab, Tel +886-3-26262183 / Hsinchu EMC/RF Lab, Tel +886-3-6536343

Brand / Model : Printed Antenna  
 Remark : 2450MHz , EUT Y-Z  
 Sample No. 1  
 Tested by : Gary

Location: **RF Chamber C** Date: **2013/11/29** Time: **下午 12:15:15**  
 Temperature (°C): **25** Humidity (%): **60** Approved by:



Frequency (MHz): **2450.00** Antenna Polarity: **Horizontal** Average Value (dBi): **-6.94**  
 Maximum Value (dBi): **-1.56** Maximum Value (degree): **156**  
 Minimum Value (dBi): **-28.60** Minimum Value (degree): **282**  
 V6.2

D:\測試程式\Antenna Pattern V6.1\Graph1129\11290010.png

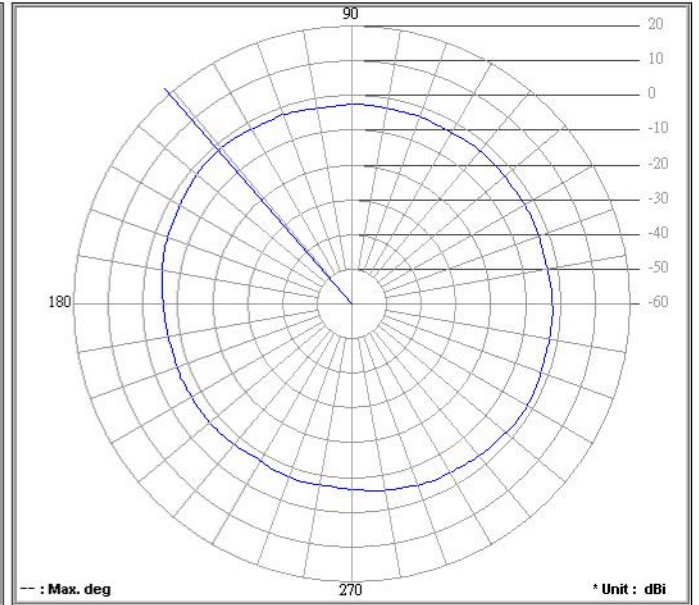


香港商立德國際商品試驗有限公司桃園分公司

A D T Bureau Veritas Consumer Products Services (H.K.) Ltd., Taoyuan Branch [ Bureau Veritas ADT ]  
 www.adt.com.hk Hwa Yeh Lab & Head Office, Tel +886-3-3183332 / Unkou EMC/RF Lab, Tel +886-3-26262183 / Hsinchu EMC/RF Lab, Tel +886-3-6536343

Brand / Model : Printed Antenna  
 Remark : 2450MHz , EUT Y-Z  
 Sample No. 1  
 Tested by : Gary

Location: **RF Chamber C** Date: **2013/11/29** Time: **上午 11:10:08**  
 Temperature (°C): **25** Humidity (%): **60** Approved by:



Frequency (MHz): **2450.00** Antenna Polarity: **Vertical** Average Value (dBi): **-3.54**  
 Maximum Value (dBi): **-1.40** Maximum Value (degree): **131**  
 Minimum Value (dBi): **-7.75** Minimum Value (degree): **239**  
 V6.2

D:\測試程式\Antenna Pattern V6.1\Graph1129\11290007.png