



SAR EVALUATION REPORT

For

Shenzhen Xinguodu Technology Co., Ltd.

17B JinSong Mansion, Terra Industrial & Trade Park Chegongmiao, Futian District, Shenzhen, Guangdong, China, 518040

FCC ID: XDQN5

Report Type: Original Report	Product Type: POS Terminal
Report Number: RDG171215001-20	
Report Date: 2018-01-12	
Reviewed By:	Rocky Xiao <i>Rocky Xiao</i> RF Engineer
Prepared By: Bay Area Compliance Laboratories Corp. (Dongguan) No.69 Pulongcun, Puxinhu Industry Area, Tangxia, Dongguan, Guangdong, China Tel: +86-769-86858888 Fax: +86-769-86858891 www.baclcorp.com.cn	

Note: This test report is prepared for the customer shown above and for the device described herein. It may not be duplicated or used in part without prior written consent from Bay Area Compliance Laboratories Corp. (Dongguan).

Attestation of Test Results			
EUT Information	EUT Description	POS Terminal	
	Tested Model	N5	
	FCC ID	XDQN5	
	Serial Number	17121500120	
	Test Date	2018-01-06 ~ 2018-01-07	
MODE		Max. SAR Level(s) Reported(W/kg)	Limit (W/kg)
WCDMA Band 2	1g Body SAR	1.09	1.6
WCDMA Band 4	1g Body SAR	0.98	
WCDMA Band 5	1g Body SAR	0.29	
LTE Band 2	1g Body SAR	1.10	
LTE Band 4	1g Body SAR	0.79	
LTE Band 12	1g Body SAR	1.11	
Simultaneous	1g Body SAR	1.49	
	1g Body SAR	1.49(Hotspot)	
Applicable Standards	FCC 47 CFR part 2.1093 Radiofrequency radiation exposure evaluation: portable devices		
	IEEE1528:2013 IEEE Recommended Practice for Determining the Peak Spatial-Average Specific Absorption Rate (SAR) in the Human Head from Wireless Communications Devices: Measurement Techniques		
	IEC 62209-2:2010 Human exposure to radio frequency fields from hand-held and body-mounted wireless communication devices-Human models, instrumentation, and procedures-Part 2: Procedure to determine the specific absorption rate (SAR) for wireless communication devices used in close proximity to the human body (frequency range of 30 MHz to 6 GHz)		
	KDB procedures KDB 447498 D01 General RF Exposure Guidance v06 KDB 648474 D04 Handset SAR v01r03 KDB 865664 D01 SAR Measurement 100 MHz to 6 GHz v01r04 KDB 865664 D02 RF Exposure Reporting v01r02 KDB 941225 D01 3G SAR Procedures v03r01 KDB 941225 D05 SAR for LTE Devices v02r05		
Note: This wireless device has been shown to be capable of compliance for localized specific absorption rate (SAR) for General Population/Uncontrolled Exposure limits specified in FCC 47 CFR part 2.1093 and has been tested in accordance with the measurement procedures specified in IEEE 1528-2013 and RF exposure KDB procedures. The results and statements contained in this report pertain only to the device(s) evaluated.			

TABLE OF CONTENTS

DOCUMENT REVISION HISTORY4

EUT DESCRIPTION5
 TECHNICAL SPECIFICATION5

REFERENCE, STANDARDS, AND GUIDELINES.....6
 SAR LIMITS7

FACILITIES.....8

DESCRIPTION OF TEST SYSTEM9

EQUIPMENT LIST AND CALIBRATION15
 EQUIPMENTS LIST & CALIBRATION INFORMATION15

SAR MEASUREMENT SYSTEM VERIFICATION16
 LIQUID VERIFICATION16
 SYSTEM ACCURACY VERIFICATION18
 SAR SYSTEM VALIDATION DATA19

EUT TEST STRATEGY AND METHODOLOGY22
 TEST POSITIONS FOR DEVICE OPERATING NEXT TO A PERSON’S EAR22
 CHEEK/TOUCH POSITION23
 EAR/TILT POSITION23
 TEST POSITIONS FOR BODY-WORN AND OTHER CONFIGURATIONS24
 TEST DISTANCE FOR SAR EVALUATION24
 SAR EVALUATION PROCEDURE25

CONDUCTED OUTPUT POWER MEASUREMENT26
 PROVISION APPLICABLE26
 TEST PROCEDURE26
 RADIO CONFIGURATION26
 MAXIMUM TARGET OUTPUT POWER31
 TEST RESULTS:31

STANDALONE SAR TEST EXCLUSION CONSIDERATIONS41
 ANTENNA DISTANCE TO EDGE41
 STANDALONE SAR TEST EXCLUSION CONSIDERATIONS:42
 SAR TEST EXCLUSION FOR THE EUT EDGE CONSIDERATIONS RESULT42

SAR MEASUREMENT RESULTS44
 SAR TEST DATA44

SAR MEASUREMENT VARIABILITY49

SAR SIMULTANEOUS TRANSMISSION DESCRIPTION50

SAR PLOTS.....52

APPENDIX A MEASUREMENT UNCERTAINTY53

APPENDIX B EUT TEST POSITION PHOTOS55

APPENDIX C CALIBRATION CERTIFICATES56

DOCUMENT REVISION HISTORY

Revision Number	Report Number	Description of Revision	Date of Revision
1.0	RDG171215001-20	Original Report	2018-01-12

EUT DESCRIPTION

This report has been prepared on behalf of **Shenzhen Xinguodu Technology Co., Ltd.** and their product **POS Terminal**, Model: **N5**, FCC ID: **XDQN5** or the EUT (Equipment under Test) as referred to in the rest of this report.

**All measurement and test data in this report was gathered from production sample serial number: 17121500120 (Assigned by BACL, Dongguan). The EUT supplied by the applicant was received on 2017-12-29.*

Technical Specification

Device Type:	Portable
Exposure Category:	Population / Uncontrolled
Antenna Type(s):	Internal Antenna
Body-Worn Accessories:	None
Face-Head Accessories:	None
Operation Mode :	WCDMA(R99 (Voice+Data),HSUPA, HSDPA, HSPA+) FDD-LTE, WLAN, Bluetooth
Frequency Band:	WCDMA Band 2: 1850-1910 MHz(TX); 1930-1990 MHz(RX) WCDMA Band 4: 1710-1755 MHz(TX); 2110-2155 MHz(RX) WCDMA Band 5: 824-849 MHz(TX); 869-894 MHz(RX) LTE Band 2: 1850-1910 MHz(TX) ; 1930-1990 MHz(RX) LTE Band 4: 1710-1755 MHz(TX) ; 2110-2155 MHz(RX) LTE Band 12: 699-716 MHz(TX) ; 729-746 MHz(RX) WLAN: 2412 -2462 MHz /2422 -2452 MHz Bluetooth : 2402 MHz-2480 MHz
Conducted RF Power:	WCDMA Band 2: 23.39 dBm WCDMA Band 4: 23.36 dBm WCDMA Band 5: 23.28 dBm LTE Band 2: 23.98 dBm LTE Band 4: 23.87 dBm LTE Band 12: 23.95 dBm WLAN: 9.48 dBm Bluetooth(BDR/EDR): 9.49 dBm BLE: -1.24 dBm
Dimensions (L*W*H):	17.6 cm (L) * 7.9 cm (W) * 7.2 cm (H)
Power Source:	3.7 VDC Rechargeable Battery
Normal Operation:	Body Supported and Hand-held

REFERENCE, STANDARDS, AND GUIDELINES

FCC:

The Report and Order requires routine SAR evaluation prior to equipment authorization of portable transmitter devices, including portable telephones. For consumer products, the applicable limit is 1.6 mW/g as recommended by the ANSI/IEEE standard C95.1-1992 [6] for an uncontrolled environment (Paragraph 65). According to the Supplement C of OET Bulletin 65 "Evaluating Compliance with FCC Guide-lines for Human Exposure to Radio frequency Electromagnetic Fields", released on Jun 29, 2001 by the FCC, the device should be evaluated at maximum output power (radiated from the antenna) under "worst-case" conditions for normal or intended use, incorporating normal antenna operating positions, device peak performance frequencies and positions for maximum RF energy coupling.

This report describes the methodology and results of experiments performed on wireless data terminal. The objective was to determine if there is RF radiation and if radiation is found, what is the extent of radiation with respect to safety limits. SAR (Specific Absorption Rate) is the measure of RF exposure determined by the amount of RF energy absorbed by human body (or its parts) – to determine how the RF energy couples to the body or head which is a primary health concern for body worn devices. The limit below which the exposure to RF is considered safe by regulatory bodies in North America is 1.6 mW/g average over 1 gram of tissue mass.

CE:

The order requires routine SAR evaluation prior to equipment authorization of portable transmitter devices, including portable telephones. For consumer products, the applicable limit is 2 mW/g as recommended by EN62209-1 for an uncontrolled environment. According to the Standard, the device should be evaluated at maximum output power (radiated from the antenna) under "worst-case" conditions for normal or intended use, incorporating normal antenna operating positions, device peak performance frequencies and positions for maximum RF energy coupling.

This report describes the methodology and results of experiments performed on wireless data terminal. The objective was to determine if there is RF radiation and if radiation is found, what is the extent of radiation with respect to safety limits. SAR (Specific Absorption Rate) is the measure of RF exposure determined by the amount of RF energy absorbed by human body (or its parts) – to determine how the RF energy couples to the body or head which is a primary health concern for body worn devices. The limit below which the exposure to RF is considered safe by regulatory bodies in Europe is 2 mW/g average over 10 gram of tissue mass.

The test configurations were laid out on a specially designed test fixture to ensure the reproducibility of measurements. Each configuration was scanned for SAR. Analysis of each scan was carried out to characterize the above effects in the device.

SAR Limits

FCC Limit

EXPOSURE LIMITS	SAR (W/kg)	
	(General Population / Uncontrolled Exposure Environment)	(Occupational / Controlled Exposure Environment)
Spatial Average (averaged over the whole body)	0.08	0.4
Spatial Peak (averaged over any 1 g of tissue)	1.60	8.0
Spatial Peak (hands/wrists/feet/ankles averaged over 10 g)	4.0	20.0

CE Limit

EXPOSURE LIMITS	SAR (W/kg)	
	(General Population / Uncontrolled Exposure Environment)	(Occupational / Controlled Exposure Environment)
Spatial Average (averaged over the whole body)	0.08	0.4
Spatial Peak (averaged over any 10 g of tissue)	2.0	10
Spatial Peak (hands/wrists/feet/ankles averaged over 10 g)	4.0	20.0

Population/Uncontrolled Environments are defined as locations where there is the exposure of individual who have no knowledge or control of their exposure.

Occupational/Controlled Environments are defined as locations where there is exposure that may be incurred by people who are aware of the potential for exposure (i.e. as a result of employment or occupation).

General Population/Uncontrolled environments Spatial Peak limit 1.6W/kg (FCC) & 2 W/kg (CE) applied to the EUT.

FACILITIES

The Test site used by Bay Area Compliance Laboratories Corp. (Dongguan) to collect test data is located on the No.69 Pulongcun, Puxinhu Industry Area, Tangxia, Dongguan, Guangdong, China

The test site has been approved by the FCC under the KDB 974614 D01 and is listed in the FCC Public Access Link (PAL) database, FCC Registration No. : 897218,the FCC Designation No. : CN1220.

The test site has been registered with ISED Canada under ISED Canada Registration Number 3062D.

The test sites and measurement facilities used to collect data are located at:

<input type="checkbox"/> SAR Lab 1	<input checked="" type="checkbox"/> SAR Lab 2
------------------------------------	-----------------------------------------------

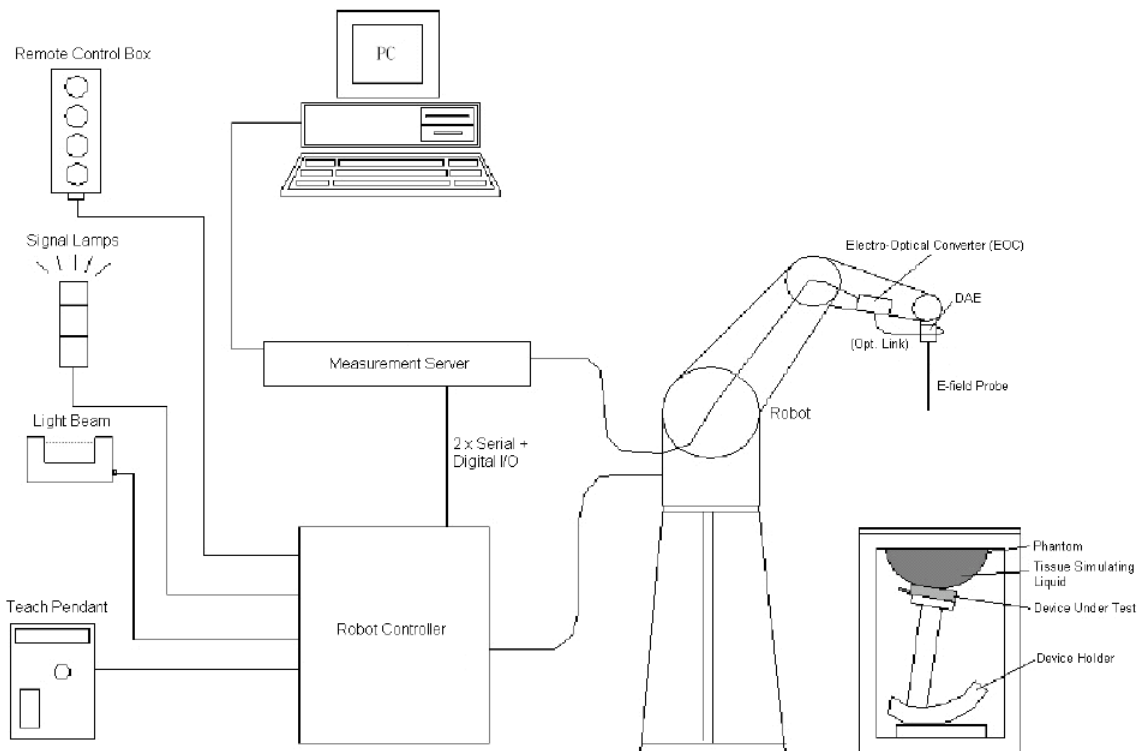
DESCRIPTION OF TEST SYSTEM

These measurements were performed with the automated near-field scanning system DASY5 from Schmid & Partner Engineering AG (SPEAG) which is the Fifth generation of the system shown in the figure hereinafter:



DASY5 System Description

The DASY5 system for performing compliance tests consists of the following items:



- A standard high precision 6-axis robot with controller, teach pendant and software. An arm extension for accommodating the data acquisition electronics (DAE).
- An isotropic field probe optimized and calibrated for the targeted measurement.
- A data acquisition electronics (DAE) which performs the signal application, signal multiplexing, AD-conversion, offset measurements, mechanical surface detection, collision detection, etc. The unit is battery powered with standard or rechargeable batteries. The signal is optically transmitted to the EOC.
- The Electro-optical converter (EOC) performs the conversion from optical to electrical signals for the digital communication to the DAE. To use optical surface detection, a special version of the EOC is required. The EOC signal is transmitted to the measurement server.
- The function of the measurement server is to perform the time critical tasks such as signal filtering, control of the robot operation and fast movement interrupts.
- The Light Beam used is for probe alignment. This improves the (absolute) accuracy of the probe positioning.
- A computer running Win7 professional operating system and the DASY52 software.
- Remote control and teach pendant as well as additional circuitry for robot safety such as warning lamps, etc.
- The phantom, the device holder and other accessories according to the targeted measurement.

DASY5 Measurement Server

The DASY5 measurement server is based on a PC/104 CPU board with a 400MHz Intel ULV Celeron, 128MB chip-disk and 128MB RAM. The necessary circuits for communication with the DAE4 (or DAE3) electronics box, as well as the 16 bit AD-converter system for optical detection and digital I/O interface are contained on the DASY5 I/O board, which is directly connected to the PC/104 bus of the CPU board.



The measurement server performs all real-time data evaluation of field measurements and surface detection, controls robot movements and handles safety operation. The PC operating system cannot interfere with these time critical processes. All connections are supervised by a watchdog, and disconnection of any of the cables to the measurement server will automatically disarm the robot and disable all program-controlled robot movements. Furthermore, the measurement server is equipped with an expansion port which is reserved for future applications. Please note that this expansion port does not have a standardized point out, and therefore only devices provided by SPEAG can be connected. Devices from any other supplier could seriously damage the measurement server.

Data Acquisition Electronics

The data acquisition electronics (DAE4) consist of a highly sensitive electrometer-grade preamplifier with auto-zeroing, a channel and gain-switching multiplexer, a fast 16 bit AD-converter and a command decoder with a control logic unit. Transmission to the measurement server is accomplished through an optical downlink for data and status information, as well as an optical uplink for commands and the clock.

The mechanical probe mounting device includes two different sensor systems for frontal and sideways probe contacts. They are used for mechanical surface detection and probe collision detection.

The input impedance of both the DAE4 as well as of the DAE3 box is 200M Ω ; the inputs are symmetrical and floating. Common mode rejection is above 80 dB.

ES3DV2 E-Field Probes

Frequency	10 MHz to > 4 GHz Linearity: ± 0.2 dB (30 MHz to 4 GHz)
Directivity	± 0.2 dB in TSL (rotation around probe axis) ± 0.3 dB in TSL (rotation normal to probe axis)
Dynamic Range	5 µW/g to > 100 mW/g Linearity: ± 0.2 dB (noise: typically < 1 µW/g)
Dimensions	Overall length: 337 mm (Tip: 10 mm) Tip diameter: 4 mm (Body: 10 mm) Typical distance from probe tip to dipole centers: 4.0 mm
Application	General dosimetry up to 4 GHz Dosimetry in strong gradient fields Compliance tests of mobile phones
Compatibility	DASY3, DASY4, DASY52 SAR and higher, EASY4/MRI

SAM Twin Phantom

The SAM twin phantom is a fiberglass shell phantom with 2mm shell thickness (except the ear region, where shell thickness

increases to 6 mm). The phantom has three measurement areas:

- _ Left Head
- _ Right Head
- _ Flat phantom

The phantom table for the DASY systems based on the robots have the size of 100 x 50 x 85 cm (L x W x H). For easy dislocation these tables have fork lift cut outs at the bottom.

The bottom plate contains three pairs of bolts for locking the device holder. The device holder positions are adjusted to the standard measurement positions in the three sections. Only one device holder is necessary if two phantoms are used (e.g., for different liquids)



A white cover is provided to cover the phantom during off-periods to prevent water evaporation and changes in the liquid parameters. Free space scans of devices on top of this phantom cover are possible. Three reference marks are provided on the phantom counter. These reference marks are used to teach the absolute phantom position relative to the robot.

Triple Flat Phantom

The SAM twin phantom is a fiberglass shell phantom with 2mm (± 0.2 mm) shell thickness. The phantom shell is compatible with SPEAG tissue simulating liquids (sugar and oil based). Use of other liquids may render the phantom warranty void (see note or consult SPEAG support).

The phantom table have the size of 100 x 75 x 91 cm (L x W x H).

For easy dislocation these tables have fork lift cut outs at the bottom.

The bottom plate contains three pairs of bolts for locking the device holder. The device holder positions are adjusted to the standard measurement positions in the three sections. Only one device holder is necessary if two phantoms are used (e.g., for different liquids)



A white cover is provided to cover the phantom during off-periods to prevent water evaporation and changes in the liquid parameters. Free space scans of devices on top of this phantom cover are possible. Three reference marks are provided on the phantom counter. These reference marks are used to teach the absolute phantom position relative to the robot.

Robots

The DASY5 system uses the high precision industrial robot. The robot offers the same features important for our application:

- High precision (repeatability 0.02mm)
- High reliability (industrial design)
- Low maintenance costs (virtually maintenance free due to direct drive gears; no belt drives)
- Jerk-free straight movements (brushless synchrony motors; no stepper motors)
- Low ELF interference (motor control fields shielded via the closed metallic construction shields)

The above mentioned robots are controlled by the Staubli CS8c robot controllers. All information regarding the use and maintenance of the robot arm and the robot controller is contained on the CDs delivered along with the robot. Paper manuals are available upon request direct from Staubli.

Area Scans

Area scans are defined prior to the measurement process being executed with a user defined variable spacing between each measurement point (integral) allowing low uncertainty measurements to be conducted. Scans defined for FCC applications utilize a 15mm 2 step integral, with 1.5mm interpolation used to locate the peak SAR area used for zoom scan assessments.

Where the system identifies multiple SAR peaks (which are within 25% of peak value) the system will provide the user with the option of assessing each peak location individually for zoom scan averaging.

Zoom Scan (Cube Scan Averaging)

The averaging zoom scan volume utilized in the DASY5 software is in the shape of a cube and the side dimension of a 1 g or 10 g mass is dependent on the density of the liquid representing the simulated tissue. A density of 1000 kg/m^3 is used to represent the head and body tissue density and not the phantom liquid density, in order to be consistent with the definition of the liquid dielectric properties, i.e. the side length of the 1g cube is 10mm, with the side length of the 10g cube is 21.5mm.

When the cube intersects with the surface of the phantom, it is oriented so that 3 vertices touch the surface of the shell or the center of a face is tangent to the surface. The face of the cube closest to the surface is modified in order to conform to the tangent surface.

The zoom scan integer steps can be user defined so as to reduce uncertainty, but normal practice for typical test applications (including FCC) utilize a physical step of $7 \times 7 \times 7$ (5mmx5mmx5mm) providing a volume of 30 mm in the X & Y & Z axis.

Tissue Dielectric Parameters for Head and Body Phantoms

The head tissue dielectric parameters recommended by the IEEE SCC-34/SC-2 in P1528 have been incorporated in the following table. These head parameters are derived from planar layer models simulating the highest expected SAR for the dielectric properties and tissue thickness variations in a human head. Other head and body tissue parameters that have not been specified in P1528 are derived from the tissue dielectric parameters computed from the 4-Cole-Cole equations described in Reference [12] and extrapolated according to the head parameters specified in P1528.

Recommended Tissue Dielectric Parameters for Head and Body

Frequency (MHz)	Head Tissue		Body Tissue	
	ϵ_r	σ (S/m)	ϵ_r	σ (S/m)
150	52.3	0.76	61.9	0.80
300	45.3	0.87	58.2	0.92
450	43.5	0.87	56.7	0.94
835	41.5	0.90	55.2	0.97
900	41.5	0.97	55.0	1.05
915	41.5	0.98	55.0	1.06
1450	40.5	1.20	54.0	1.30
1610	40.3	1.29	53.8	1.40
1800-2000	40.0	1.40	53.3	1.52
2450	39.2	1.80	52.7	1.95
3000	38.5	2.40	52.0	2.73
5800	35.3	5.27	48.2	6.00

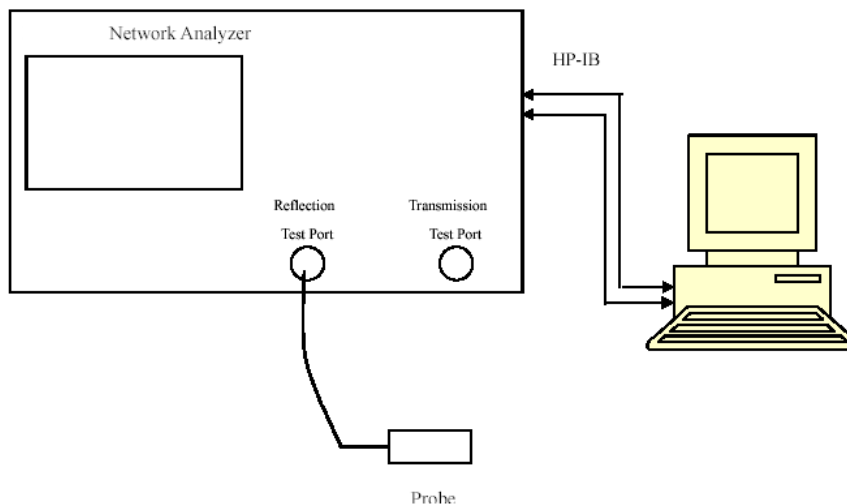
EQUIPMENT LIST AND CALIBRATION

Equipments List & Calibration Information

Equipment	Model	S/N	Calibration Date	Calibration Due Date
DASY5 Test Software	DASY52.8	N/A	NCR	NCR
DASY5 Measurement Server	DASY5 4.5.12	1567	NCR	NCR
Data Acquisition Electronics	DAE4	772	2017/10/9	2018/10/8
E-Field Probe	ES3DV2	3019	2017/10/30	2018/10/29
Mounting Device	MD4HHTV5	BJPCTC0152	NCR	NCR
Triple Flat Phantom 5.1C	QD 000 P51 CA	1130	NCR	NCR
Dipole, 750 MHz	D750V3	1167	2016/11/8	2019/11/7
Dipole, 1750 MHz	D1750V2	1141	2015/7/9	2018/7/9
Dipole, 1900 MHz	D1900V2	543	2016/10/25	2019/10/24
Simulated Tissue 750 MHz Body	TS-750-B	1710075002	Each Time	/
Simulated Tissue 1750 MHz Body	TS-1750-B	1709175002	Each Time	/
Simulated Tissue 1900 MHz Body	TS-1900-B	1709190002	Each Time	/
Network Analyzer	8753C	3033A02857	2017/8/31	2018/8/31
Dielectric assessment kit	1253	SM DAK 040 CA	N/A	N/A
Signal Generator	N5182B	MY51350142	2017/5/4	2018/5/4
Power Meter	EPM-441A	GB37481494	2017/12/11	2018/12/11
Power Amplifier	ZVA-183-S+	5969001149	NCR	NCR
Directional Coupler	488Z	N/A	NCR	NCR
Attenuator	20dB, 100W	N/A	NCR	NCR
Attenuator	3dB, 150W	N/A	NCR	NCR
R&S, universal Radio Communication Tester	CMU200	109 038	2017/7/21	2018/7/21
Wireless communication tester	E5515C	MY48367501	2017/12/11	2018/12/11
Wideband Radio Communication Tester	CMW500	1201.0002K50	2017/8/31	2018/8/31

SAR MEASUREMENT SYSTEM VERIFICATION

Liquid Verification



Liquid Verification Setup Block Diagram

Liquid Verification Results

Frequency (MHz)	Liquid Type	Liquid Parameter		Target Value		Delta (%)		Tolerance (%)
		ϵ_r	σ (S/m)	ϵ_r	σ (S/m)	$\Delta\epsilon_r$	$\Delta\sigma$ (S/m)	
1712.4	Simulated Tissue 1750 MHz Body	53.008	1.464	53.53	1.46	-0.98	0.27	± 5
1720	Simulated Tissue 1750 MHz Body	52.84	1.471	53.51	1.47	-1.25	0.07	± 5
1732.5	Simulated Tissue 1750 MHz Body	52.826	1.49	53.48	1.48	-1.22	0.68	± 5
1732.6	Simulated Tissue 1750 MHz Body	52.735	1.493	53.48	1.48	-1.39	0.88	± 5
1745	Simulated Tissue 1750 MHz Body	52.707	1.514	53.44	1.49	-1.37	1.61	± 5
1750	Simulated Tissue 1750 MHz Body	52.655	1.516	53.43	1.49	-1.45	1.74	± 5
1752.6	Simulated Tissue 1750 MHz Body	52.652	1.523	53.42	1.49	-1.44	2.21	± 5

*Liquid Verification above was performed on 2018/01/06.

Frequency (MHz)	Liquid Type	Liquid Parameter		Target Value		Delta (%)		Tolerance (%)
		ϵ_r	σ (S/m)	ϵ_r	σ (S/m)	$\Delta\epsilon_r$	$\Delta\sigma$ (S/m)	
704	Simulated Tissue 750 MHz Body	57.435	0.946	55.71	0.96	3.1	-1.46	± 5
707.5	Simulated Tissue 750 MHz Body	57.282	0.958	55.7	0.96	2.84	-0.21	± 5
711	Simulated Tissue 750 MHz Body	56.983	0.959	55.68	0.96	2.34	-0.1	± 5
750	Simulated Tissue 750 MHz Body	56.699	0.961	55.53	0.96	2.11	0.1	± 5
826.4	Simulated Tissue 750 MHz Body	55.095	0.982	55.23	0.97	-0.24	1.24	± 5
836.6	Simulated Tissue 750 MHz Body	55.031	0.983	55.2	0.97	-0.31	1.34	± 5
846.6	Simulated Tissue 750 MHz Body	55.004	0.997	55.16	0.98	-0.28	1.73	± 5

*Liquid Verification above was performed on 2018/01/06.

Frequency (MHz)	Liquid Type	Liquid Parameter		Target Value		Delta (%)		Tolerance (%)
		ϵ_r	σ (S/m)	ϵ_r	σ (S/m)	$\Delta\epsilon_r$	$\Delta\sigma$ (S/m)	
1852.4	Simulated Tissue 1900 MHz Body	54.551	1.569	53.3	1.52	2.35	3.22	±5
1860	Simulated Tissue 1900 MHz Body	54.399	1.572	53.3	1.52	2.06	3.42	±5
1880	Simulated Tissue 1900 MHz Body	54.138	1.579	53.3	1.52	1.57	3.88	±5
1900	Simulated Tissue 1900 MHz Body	54.063	1.581	53.3	1.52	1.43	4.01	±5
1907.6	Simulated Tissue 1900 MHz Body	54.044	1.586	53.3	1.52	1.4	4.34	±5

*Liquid Verification above was performed on 2018/01/07.

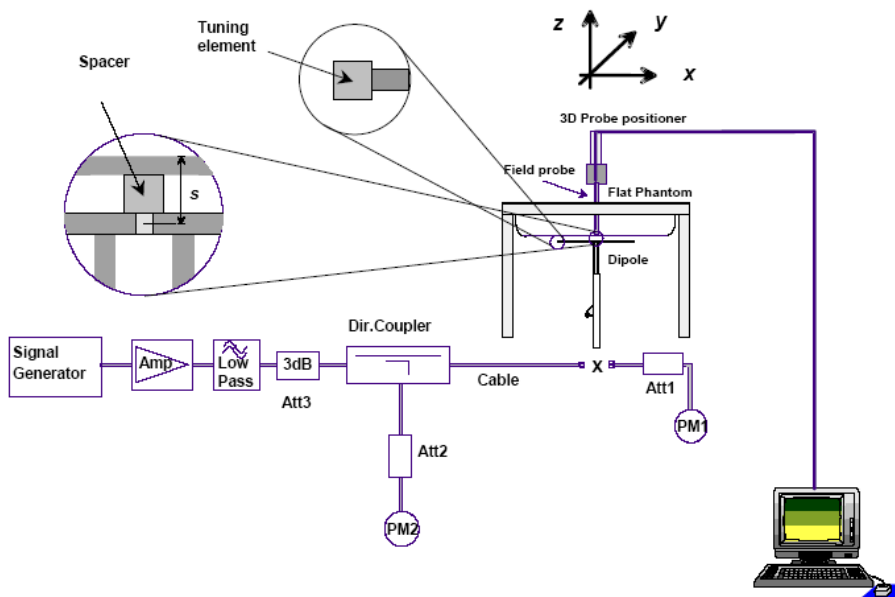
System Accuracy Verification

Prior to the assessment, the system validation kit was used to test whether the system was operating within its specifications of ±10%. The validation results are tabulated below. And also the corresponding SAR plot is attached as well in the SAR plots files.

The spacing distances in the **System Verification Setup Block Diagram** is given by the following:

- a) $s = 15 \text{ mm} \pm 0,2 \text{ mm}$ for $300 \text{ MHz} \leq f \leq 1\,000 \text{ MHz}$;
- b) $s = 10 \text{ mm} \pm 0,2 \text{ mm}$ for $1\,000 \text{ MHz} < f \leq 3\,000 \text{ MHz}$;
- c) $s = 10 \text{ mm} \pm 0,2 \text{ mm}$ for $3\,000 \text{ MHz} < f \leq 6\,000 \text{ MHz}$.

System Verification Setup Block Diagram



System Accuracy Check Results

Date	Frequency Band	Liquid Type	Input Power (mW)	Measured SAR (W/kg)		Normalized to 1W (W/kg)	Target Value(W/kg)	Delta (%)	Tolerance (%)
2018/01/06	750 MHz	750MHz Body	100	1g	0.875	8.75	8.58	1.98	±10
2018/01/06	1750 MHz	1750MHz Body	100	1g	3.86	38.6	37.4	3.21	±10
2018/01/07	1900 MHz	1900MHz Body	100	1g	4.23	42.3	41.1	2.92	±10

*The SAR values above are normalized to 1 Watt forward power.

SAR SYSTEM VALIDATION DATA

System Performance 750 MHz Body

DUT: D750V3; Type: 750 MHz; Serial: 1167

Communication System: CW; Frequency: 750 MHz; Duty Cycle: 1:1
 Medium parameters used: $f = 750 \text{ MHz}$; $\sigma = 0.961 \text{ S/m}$; $\epsilon_r = 56.699$; $\rho = 1000 \text{ kg/m}^3$
 Phantom section: Right Section

DASY5 Configuration:

- Probe: ES3DV2 - SN3019; ConvF(6.42, 6.42, 6.42); Calibrated: 2017/10/30;
- Sensor-Surface: 4mm (Mechanical Surface Detection)
- Electronics: DAE4 Sn772; Calibrated: 2017/10/9
- Phantom: Triple Flat Phantom 5.1C; Type: QD 000 P51 CA; Serial: 1130
- Measurement SW: DASY52, Version 52.8 (8);

Area Scan (91x41x1): Interpolated grid: $dx=1.500 \text{ mm}$, $dy=1.500 \text{ mm}$

Maximum value of SAR (interpolated) = 1.22 W/kg

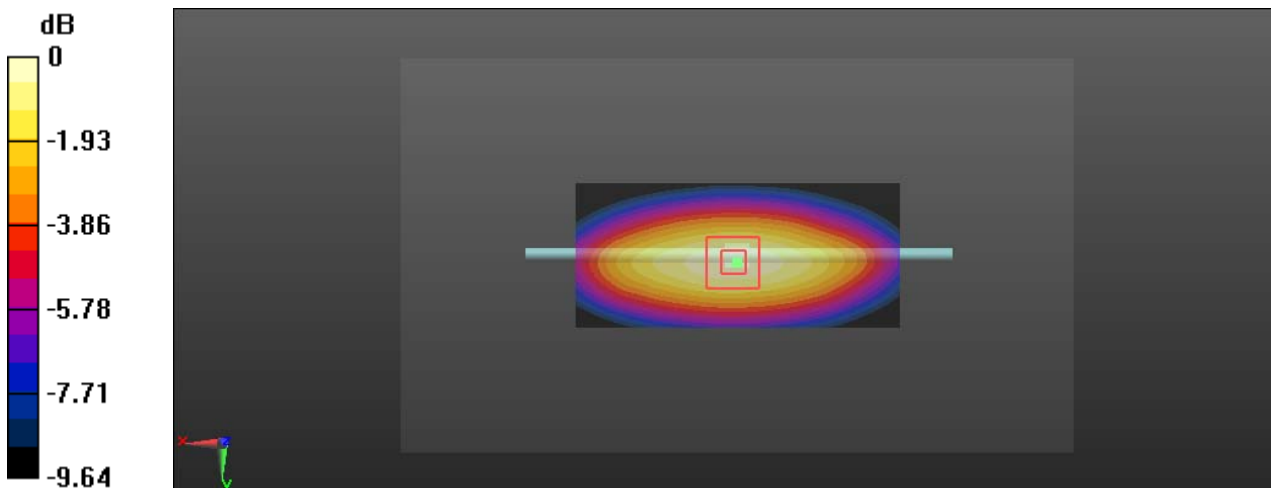
Zoom Scan (5x5x7)/Cube 0: Measurement grid: $dx=8\text{mm}$, $dy=8\text{mm}$, $dz=5\text{mm}$

Reference Value = 30.68 V/m; Power Drift = 0.07 dB

Peak SAR (extrapolated) = 1.43 W/kg

SAR(1 g) = 0.875 W/kg; SAR(10 g) = 0.569 W/kg

Maximum value of SAR (measured) = 1.24 W/kg



0 dB = 1.24 W/kg = 0.93 dBW/kg

System Performance 1750 MHz Body

DUT: D1750V2; Type: 1750 MHz; Serial: 1141

Communication System: CW; Frequency: 1750 MHz; Duty Cycle: 1:1

Medium parameters used: $f = 1750$ MHz; $\sigma = 1.516$ S/m; $\epsilon_r = 52.655$; $\rho = 1000$ kg/m³

Phantom section: Left Section

DASY5 Configuration:

- Probe: ES3DV2 - SN3019; ConvF(4.84, 4.84, 4.84); Calibrated: 2017/10/30;
- Sensor-Surface: 4mm (Mechanical Surface Detection)
- Electronics: DAE4 Sn772; Calibrated: 2017/10/9
- Phantom: Triple Flat Phantom 5.1C; Type: QD 000 P51 CA; Serial: 1130
- Measurement SW: DASY52, Version 52.8 (8);

Area Scan (61x41x1): Interpolated grid: dx=1.500 mm, dy=1.500 mm

Maximum value of SAR (interpolated) = 6.31 W/kg

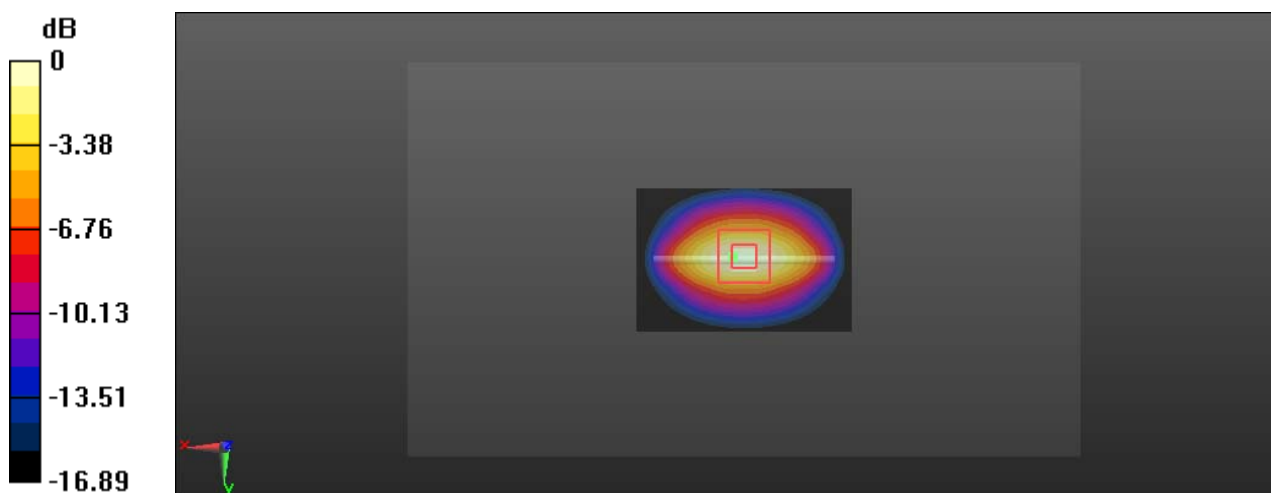
Zoom Scan (5x5x7)/Cube 0: Measurement grid: dx=8mm, dy=8mm, dz=5mm

Reference Value = 57.09 V/m; Power Drift = 0.01 dB

Peak SAR (extrapolated) = 7.28 W/kg

SAR(1 g) = 3.86 W/kg; SAR(10 g) = 2.11 W/kg

Maximum value of SAR (measured) = 6.01 W/kg



0 dB = 6.01 W/kg = 7.79 dBW/kg

System Performance 1900 MHz Body

DUT: D1900V2; Type: 1900 MHz; Serial: 543

Communication System: CW; Frequency: 1900 MHz; Duty Cycle: 1:1

Medium parameters used: $f = 1900 \text{ MHz}$; $\sigma = 1.581 \text{ S/m}$; $\epsilon_r = 54.063$; $\rho = 1000 \text{ kg/m}^3$

Phantom section: Left Section

DASY5 Configuration:

- Probe: ES3DV2 - SN3019; ConvF(4.65, 4.65, 4.65); Calibrated: 2017/10/30;
- Sensor-Surface: 4mm (Mechanical Surface Detection)
- Electronics: DAE4 Sn772; Calibrated: 2017/10/9
- Phantom: Triple Flat Phantom 5.1C; Type: QD 000 P51 CA; Serial: 1130
- Measurement SW: DASY52, Version 52.8 (8);

Area Scan (91x61x1): Interpolated grid: $dx=1.000 \text{ mm}$, $dy=1.000 \text{ mm}$

Maximum value of SAR (interpolated) = 7.26 W/kg

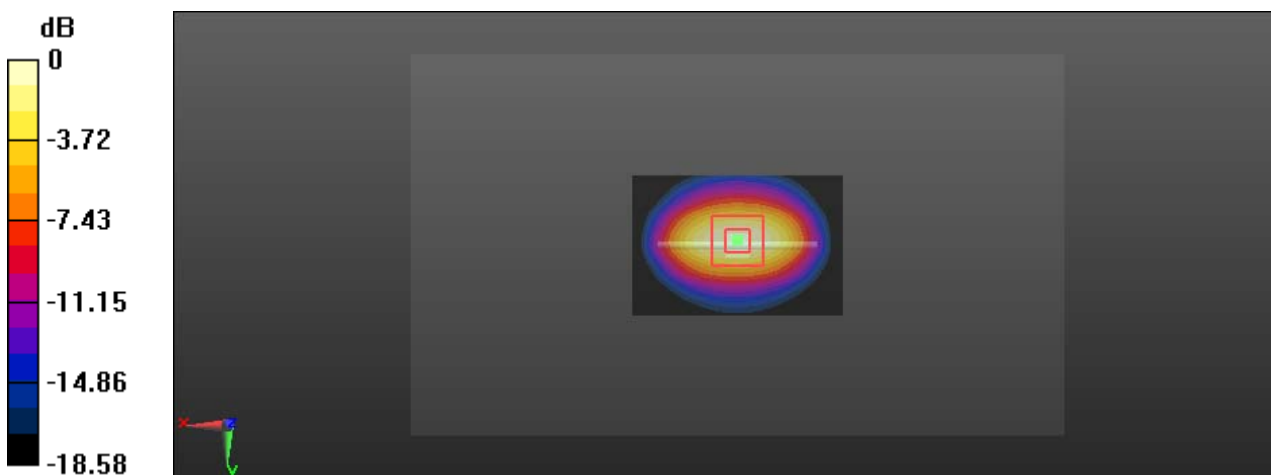
Zoom Scan (5x5x7)/Cube 0: Measurement grid: $dx=8\text{mm}$, $dy=8\text{mm}$, $dz=5\text{mm}$

Reference Value = 56.57 V/m; Power Drift = 0.12 dB

Peak SAR (extrapolated) = 8.11 W/kg

SAR(1 g) = 4.23 W/kg; SAR(10 g) = 2.33 W/kg

Maximum value of SAR (measured) = 7.06 W/kg



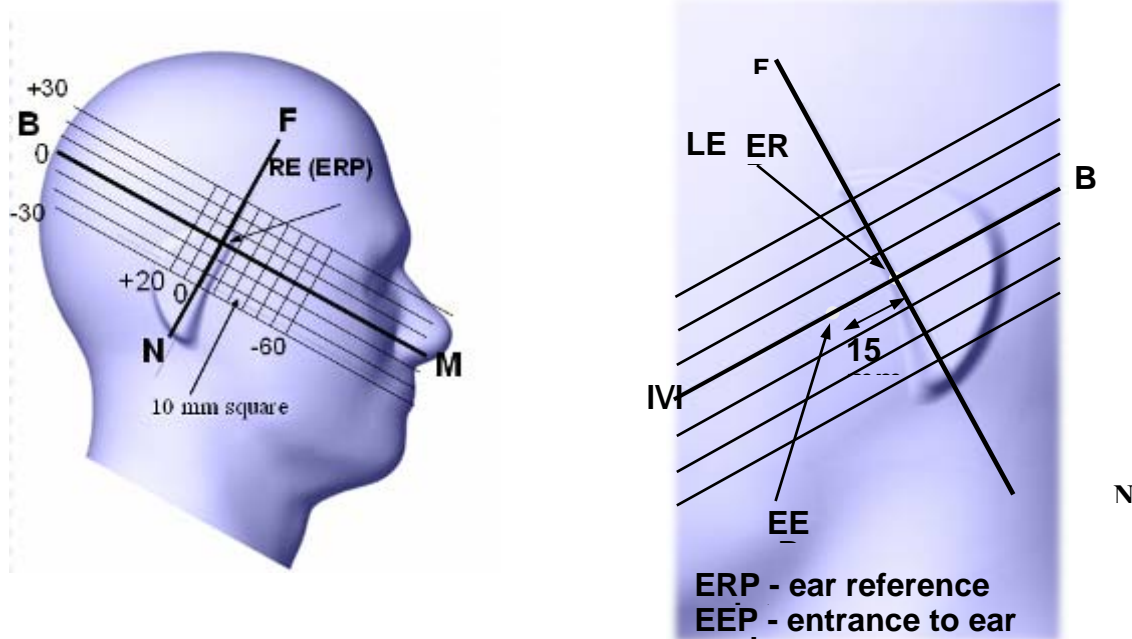
0 dB = 7.06 W/kg = 8.49 dBW/kg

EUT TEST STRATEGY AND METHODOLOGY

Test Positions for Device Operating Next to a Person’s Ear

This category includes most wireless handsets with fixed, retractable or internal antennas located toward the top half of the device, with or without a foldout, sliding or similar keypad cover. The handset should have its earpiece located within the upper ¼ of the device, either along the centerline or off-centered, as perceived by its users. This type of handset should be positioned in a normal operating position with the “test device reference point” located along the “vertical centerline” on the front of the device aligned to the “ear reference point”. The “test device reference point” should be located at the same level as the center of the earpiece region. The “vertical centerline” should bisect the front surface of the handset at its top and bottom edges. A “ear reference point” is located on the outer surface of the head phantom on each ear spacer. It is located 1.5 cm above the center of the ear canal entrance in the “phantom reference plane” defined by the three lines joining the center of each “ear reference point” (left and right) and the tip of the mouth.

A handset should be initially positioned with the earpiece region pressed against the ear spacer of a head phantom. For the SCC-34/SC-2 head phantom, the device should be positioned parallel to the “N-F” line defined along the base of the ear spacer that contains the “ear reference point”. For interim head phantoms, the device should be positioned parallel to the cheek for maximum RF energy coupling. The “test device reference point” is aligned to the “ear reference point” on the head phantom and the “vertical centerline” is aligned to the “phantom reference plane”. This is called the “initial ear position”. While maintaining these three alignments, the body of the handset is gradually adjusted to each of the following positions for evaluating SAR:



Cheek/Touch Position

The device is brought toward the mouth of the head phantom by pivoting against the “ear reference point” or along the “N-F” line for the SCC-34/SC-2 head phantom.

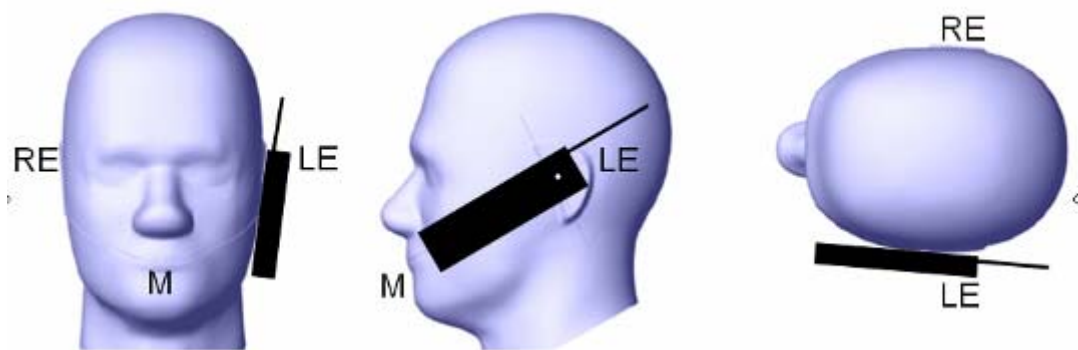
This test position is established:

When any point on the display, keypad or mouthpiece portions of the handset is in contact with the phantom.

(or) When any portion of a foldout, sliding or similar keypad cover opened to its intended self-adjusting normal use position is in contact with the cheek or mouth of the phantom.

For existing head phantoms – when the handset loses contact with the phantom at the pivoting point, rotation should continue until the device touches the cheek of the phantom or breaks its last contact from the ear spacer.

Cheek /Touch Position



Ear/Tilt Position

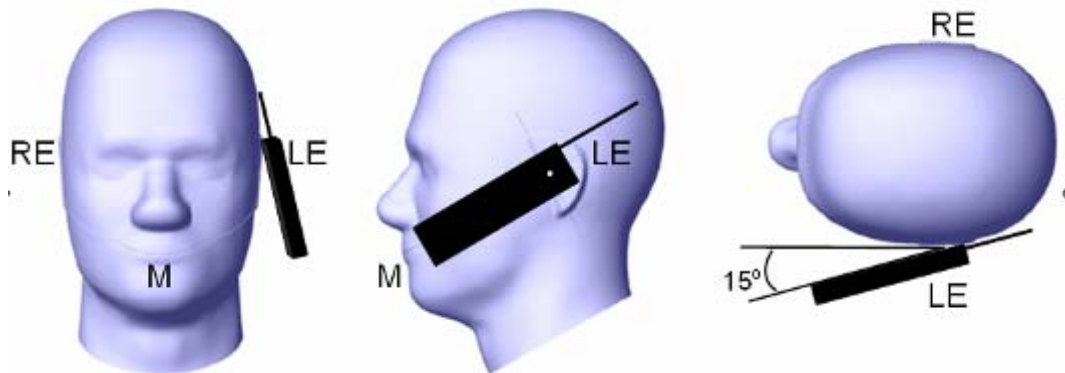
With the handset aligned in the “Cheek/Touch Position”:

1) If the earpiece of the handset is not in full contact with the phantom’s ear spacer (in the “Cheek/Touch position”) and the peak SAR location for the “Cheek/Touch” position is located at the ear spacer region or corresponds to the earpiece region of the handset, the device should be returned to the “initial ear position” by rotating it away from the mouth until the earpiece is in full contact with the ear spacer.

2) (otherwise) The handset should be moved (translated) away from the cheek perpendicular to the line passes through both “ear reference points” (note: one of these ear reference points may not physically exist on a split head model) for approximate 2-3 cm. While it is in this position, the device handset is tilted away from the mouth with respect to the “test device reference point” until the inside angle between the vertical centerline on the front surface of the phone and the horizontal line passing through the ear reference point is by 15 80°. After the tilt, it is then moved (translated) back toward the head perpendicular to the line passes through both “ear reference points” until the device touches the phantom or the ear spacer. If the antenna touches the head first, the positioning process should be repeated with a tilt angle less than 15° so that the device and its antenna would touch the phantom simultaneously. This test position may require a device holder or positioner to achieve the translation and tilting with acceptable positioning repeatability.

If a device is also designed to transmit with its keypad cover closed for operating in the head position, such positions should also be considered in the SAR evaluation. The device should be tested on the left and right side of the head phantom in the “Cheek/Touch” and “Ear/Tilt” positions. When applicable, each configuration should be tested with the antenna in its fully extended and fully retracted positions. These test configurations should be tested at the high, middle and low frequency channels of each operating mode; for example, AMPS, CDMA, and TDMA. If the SAR measured at the middle channel for each test configuration (left, right, Cheek/Touch, Tilt/Ear, extended and retracted) is at least 2.0 dB lower than the SAR limit, testing at the high and low channels is optional for such test configuration(s). If the transmission band of the test device is less than 10 MHz, testing at the high and low frequency channels is optional.

Ear /Tilt 15° Position



Test positions for body-worn and other configurations

Body-worn operating configurations should be tested with the belt-clips and holsters attached to the device and positioned against a flat phantom in normal use configurations. Devices with a headset output should be tested with a headset connected to the device. When multiple accessories that do not contain metallic components are supplied with the device, the device may be tested with only the accessory that dictates the closest spacing to the body. When multiple accessories that contain metallic components are supplied with the device, the device must be tested with each accessory that contains a unique metallic component. If multiple accessories share an identical metallic component (e.g., the same metallic belt-clip used with different holsters with no other metallic components), only the accessory that dictates the closest spacing to the body must be tested.

Body-worn accessories may not always be supplied or available as options for some devices that are intended to be authorized for body-worn use. A separation distance of 1.5 cm between the back of the device and a flat phantom is recommended for testing body-worn SAR compliance under such circumstances. Other separation distances may be used, but they should not exceed 2.5 cm. In these cases, the device may use body-worn accessories that provide a separation distance greater than that tested for the device provided however that the accessory contains no metallic components.

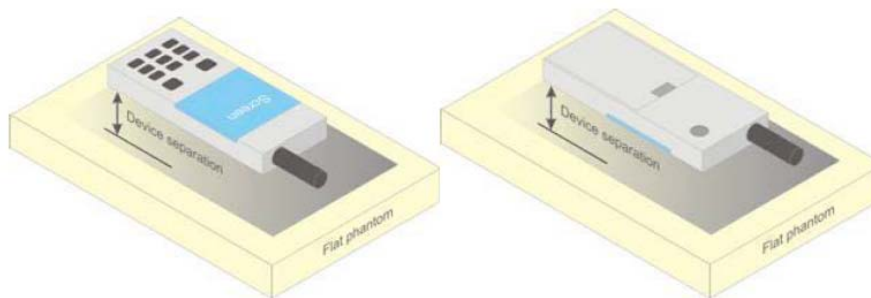


Figure 5 – Test positions for body-worn devices

Test Distance for SAR Evaluation

For this case the EUT(Equipment Under Test) is set 0mm away from the phantom, the test distance is 0mm.

SAR Evaluation Procedure

The evaluation was performed with the following procedure:

Step 1: Measurement of the SAR value at a fixed location above the ear point or central position was used as a reference value for assessing the power drop. The SAR at this point is measured at the start of the test and then again at the end of the testing.

Step 2: The SAR distribution at the exposed side of the head was measured at a distance of 4 mm from the inner surface of the shell. The area covered the entire dimension of the head or radiating structures of the EUT, the horizontal grid spacing was 15 mm x 15 mm, and the SAR distribution was determined by integrated grid of 1.5mm x 1.5mm. Based on these data, the area of the maximum absorption was determined by spline interpolation. The first Area Scan covers the entire dimension of the EUT to ensure that the hotspot was correctly identified.

Step 3: Around this point, a volume of 30 mm x 30 mm x 30 mm was assessed by measuring 7x 7 x 7 points. On the basis of this data set, the spatial peak SAR value was evaluated under the following procedure:

1) The data at the surface were extrapolated, since the center of the dipoles is 1.2 mm away from the tip of the probe and the distance between the surface and the lowest measuring point is 1.3 mm. The extrapolation was based on a least square algorithm. A polynomial of the fourth order was calculated through the points in z-axes. This polynomial was then used to evaluate the points between the surface and the probe tip.

2) The maximum interpolated value was searched with a straightforward algorithm. Around this maximum the SAR values averaged over the spatial volumes (1 g or 10 g) were computed by the 3D-Spline interpolation algorithm. The 3D-Spline is composed of three one dimensional splines with the "Not a knot"-condition (in x, y and z-directions). The volume was integrated with the trapezoidal-algorithm. One thousand points (10 x 10 x 10) were interpolated to calculate the averages.

All neighboring volumes were evaluated until no neighboring volume with a higher average value was found.

Step 4: Re-measurement of the SAR value at the same location as in Step 1. If the value changed by more than 5%, the evaluation was repeated.

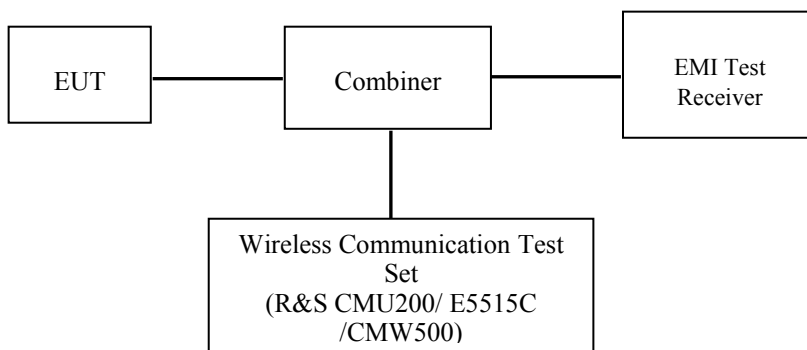
CONDUCTED OUTPUT POWER MEASUREMENT

Provision Applicable

The measured peak output power should be greater and within 5% than EMI measurement.

Test Procedure

The RF output of the transmitter was connected to the input of the EMI Test Receiver through Combiner.



WCDMA/LTE

Radio Configuration

The power measurement was configured by the Wireless Communication Test Set.

WCDMA Release 99

The following tests were conducted according to the test requirements outlines in section 5.2 of the 3GPP TS34.121-1 specification. The EUT has a nominal maximum output power of 24dBm (+1.7/-3.7).

WCDMA General Settings	Loopback Mode	Test Mode 1
	Rel99 RMC	12.2kbps RMC
	Power Control Algorithm	Algorithm2
	β_c/β_d	8/15

HSDPA

The following tests were conducted according to the test requirements outlines in section 5.2 of the 3GPP TS34.121-1 specification.

	Mode	HSDPA	HSDPA	HSDPA	HSDPA
	Subset	1	2	3	4
WCDMA General Settings	Loopback Mode	Test Mode 1			
	Rel99 RMC	12.2kbps RMC			
	HSDPA FRC	H-Set1			
	Power Control Algorithm	Algorithm2			
	β_c	2/15	12/15	15/15	15/15
	β_d	15/15	15/15	8/15	4/15
	$\beta_d(SF)$	64			
	β_c/β_d	2/15	12/15	15/8	15/4
	β_{hs}	4/15	24/15	30/15	30/15
	MPR(dB)	0	0	0.5	0.5
HSDPA Specific Settings	DACK	8			
	DNAK	8			
	DCQI	8			
	Ack-Nack repetition factor	3			
	CQI Feedback	4ms			
	CQI Repetition Factor	2			
	$A_{hs}=\beta_{hs}/\beta_c$	30/15			

HSUPA

The following tests were conducted according to the test requirements outlines in section 5.2 of the 3GPP TS34.121-1 specification.

	Mode	HSUPA	HSUPA	HSUPA	HSUPA	HSUPA
	Subset	1	2	3	4	5
WCDMA General Settings	Loopback Mode	Test Mode 1				
	Rel99 RMC	12.2kbps RMC				
	HSDPA FRC	H-Set1				
	HSUPA Test	HSUPA Loopback				
	Power Control Algorithm	Algorithm2				
	β_c	11/15	6/15	15/15	2/15	15/15
	β_d	15/15	15/15	9/15	15/15	0
	β_{ec}	209/225	12/15	30/15	2/15	5/15
	β_c / β_d	11/15	6/15	15/9	2/15	-
	β_{hs}	22/15	12/15	30/15	4/15	5/15
	CM(dB)	1.0	3.0	2.0	3.0	1.0
MPR(dB)	0	2	1	2	0	
HSDPA Specific Settings	DACK	8				
	DNAK	8				
	DCQI	8				
	Ack-Nack repetition factor	3				
	CQI Feedback	4ms				
	CQI Repetition Factor	2				
	$A_{hs} = \beta_{hs} / \beta_c$	30/15				
HSUPA Specific Settings	DE-DPCCH	6	8	8	5	7
	DHARQ	0	0	0	0	0
	AG Index	20	12	15	17	21
	ETFCI	75	67	92	71	81
	Associated Max UL Data Rate kbps	242.1	174.9	482.8	205.8	308.9
	Reference E_FCIs	E-TFCI 11 E E-TFCI PO 4 E-TFCI 67 E-TFCI PO 18 E-TFCI 71 E-TFCI PO23 E-TFCI 75 E-TFCI PO26 E-TFCI 81 E-TFCI PO 27	E-TFCI 11 E-TFCI PO4 E-TFCI 92 E-TFCI PO 18	E-TFCI 11 E E-TFCI PO 4 E-TFCI 67 E-TFCI PO 18 E-TFCI 71 E-TFCI PO23 E-TFCI 75 E-TFCI PO26 E-TFCI 81 E-TFCI PO 27		

HSPA+

Sub-test	β_c (Note3)	β_d	β_{HS} (Note1)	β_{ec}	β_{ed} (2xSF2) (Note 4)	β_{ed} (2xSF4) (Note 4)	CM (dB) (Note 2)	MPR (dB) (Note 2)	AG Index (Note 4)	E-TFCI (Note 5)	E-TFCI (boost)
1	1	0	30/15	30/15	β_{ed1} : 30/15 β_{ed2} : 30/15	β_{ed3} : 24/15 β_{ed4} : 24/15	3.5	2.5	14	105	105
<p>Note 1: $\Delta_{ACK}, \Delta_{NACK}$ and $\Delta_{CQI} = 30/15$ with $\beta_{hz} = 30/15 * \beta_c$.</p> <p>Note 2: CM = 3.5 and the MPR is based on the relative CM difference, MPR = MAX(CM-1,0).</p> <p>Note 3: DPDCH is not configured, therefore the β_c is set to 1 and $\beta_d = 0$ by default.</p> <p>Note 4: β_{ed} can not be set directly; it is set by Absolute Grant Value.</p> <p>Note 5: All the sub-tests require the UE to transmit 2SF2+2SF4 16QAM EDCH and they apply for UE using E-DPDCH category 7. E-DCH TTI is set to 2ms TTI and E-DCH table index = 2. To support these E-DCH configurations DPDCH is not allocated. The UE is signalled to use the extrapolation algorithm.</p>											

The following tests were conducted according to the test requirements in Table C.11.1.4 of 3GPP TS 34.121-1

LTE

For UE Power Class 1 and 3, the allowed Maximum Power Reduction (MPR) for the maximum output power in Table 6.2.2-1 due to higher order modulation and transmit bandwidth configuration (resource blocks) is specified in Table 6.2.3-1.

Table 6.2.3-1: Maximum Power Reduction (MPR) for Power Class 1 and 3

Modulation	Channel bandwidth / Transmission bandwidth (N_{RB})						MPR (dB)
	1.4 MHz	3.0 MHz	5 MHz	10 MHz	15 MHz	20 MHz	
QPSK	> 5	> 4	> 8	> 12	> 16	> 18	≤ 1
16 QAM	≤ 5	≤ 4	≤ 8	≤ 12	≤ 16	≤ 18	≤ 1
16 QAM	> 5	> 4	> 8	> 12	> 16	> 18	≤ 2

For UE Power Class 1 and 3 the specific requirements and identified sub clauses are specified in Table 6.2.4-1 along with the allowed A-MPR values that may be used to meet these requirements. The allowed A-MPR values specified below in Table 6.2.4-1 to 6.2.4-15 are in addition to the allowed MPR requirements specified in sub clause 6.2.3.

Table 6.2.4-1: Additional Maximum Power Reduction (A-MPR)

Network Signalling value	Requirements (subclause)	E-UTRA Band	Channel bandwidth (MHz)	Resources Blocks (N_{RB})	A-MPR (dB)
NS_01	6.6.2.1.1	Table 5.5-1	1.4, 3, 5, 10, 15, 20	Table 5.6-1	N/A
NS_03	6.6.2.2.1	2, 4, 10, 23, 25, 35, 36	3	>5	≤ 1
			5	>6	≤ 1
			10	>6	≤ 1
			15	>8	≤ 1
			20	>10	≤ 1
NS_04	6.6.2.2.2	41	5	>6	≤ 1
NS_05	6.6.3.3.1	1	10, 15, 20	Table 6.2.4-4	≤ 1
NS_06	6.6.2.2.3	12, 13, 14, 17	1.4, 3, 5, 10	Table 5.6-1	N/A
NS_07	6.6.2.2.3 6.6.3.3.2	13	10	Table 6.2.4-2	
NS_08	6.6.3.3.3	19	10, 15	> 44	≤ 3
NS_09	6.6.3.3.4	21	10, 15	> 40	≤ 1
				> 55	≤ 2
				Table 6.2.4-3	
NS_11	6.6.2.2.1	23	1.4, 3, 5, 10, 15, 20	Table 6.2.4-5	
NS_12	6.6.3.3.5	26	1.4, 3, 5	Table 6.2.4-6	
NS_13	6.6.3.3.6	26	5	Table 6.2.4-7	
NS_14	6.6.3.3.7	26	10, 15	Table 6.2.4-8	
NS_15	6.6.3.3.8	26	1.4, 3, 5, 10, 15	Table 6.2.4-9 Table 6.2.4-10	
NS_16	6.6.3.3.9	27	3, 5, 10	Table 6.2.4-11, Table 6.2.4-12, Table 6.2.4-13	
NS_17	6.6.3.3.10	28	5, 10	Table 5.6-1	N/A
NS_18	6.6.3.3.11	28	5	≥ 2	≤ 1
			10, 15, 20	≥ 1	≤ 4
NS_19	6.6.3.3.12	44	10, 15, 20	Table 6.2.4-14	
NS_20	6.2.2 6.6.2.2.1 6.6.3.2	23	5, 10, 15, 20	Table 6.2.4-15	
...					
NS_32	-	-	-	-	-

Maximum Target Output Power

Max Target Power(dBm)			
Mode/Band	Channel		
	Low	Middle	High
WCDMA Band 2	23.5	23.5	23.5
HSDPA	23.5	23.5	23.5
HSUPA	23.5	23.5	23.5
HSPA+	23.5	23.5	23.5
WCDMA Band 4	23.5	23.5	23.5
HSDPA	23.5	23.5	23.5
HSUPA	23.5	23.5	23.5
HSPA+	23.5	23.5	23.5
WCDMA Band 5	23.5	23.5	23.5
HSDPA	23.5	23.5	23.5
HSUPA	23.5	23.5	23.5
HSPA+	23.5	23.5	23.5
LTE Band 2	24	24	24
LTE Band 4	24	24	24
LTE Band 12	24	24	24
WLAN(802.11b)	9.6	9.6	9.6
WLAN(802.11g)	9.6	9.6	9.6
WLAN(802.11n HT20)	9.6	9.6	9.6
WLAN(802.11n HT40)	9.6	9.6	9.6
Bluetooth BDR/EDR	9.6	9.6	9.6
Bluetooth LE	-1.0	-1.0	-1.0

Test Results:

WCDMA:

Results (12.2kbps RMC)

Band	Frequency (MHz)	RF Output Power (dBm)
WCDMA Band 2	1852.4	23.38
	1880	23.39
	1907.6	23.32
WCDMA Band 4	1712.4	23.36
	1732.6	23.03
	1752.6	23.15
WCDMA Band 5	826.4	23.28
	836.6	23.16
	846.6	23.18

Results (HSDPA)

Band	Frequency (MHz)	RF Output Power (dBm)			
		Subset 1	Subset 2	Subset 3	Subset 4
WCDMA Band 2	1852.4	23.11	23.09	22.76	22.65
	1880	22.81	22.96	22.81	22.77
	1907.6	23.11	22.98	22.91	22.59
WCDMA Band 4	1712.4	22.38	22.61	22.46	22.55
	1732.6	22.52	22.46	22.48	22.57
	1752.6	22.60	22.61	22.73	22.40
WCDMA Band 5	826.4	23.16	23.15	22.87	22.88
	836.6	23.25	22.97	22.85	22.75
	846.6	23.18	23.07	22.83	22.85

Results (HSUPA)

Band	Frequency (MHz)	RF Output Power (dBm)				
		Subset 1	Subset 2	Subset 3	Subset 4	Subset 5
WCDMA Band 2	1852.4	22.92	22.96	22.69	23.02	22.87
	1880	22.95	22.86	22.67	22.78	22.76
	1907.6	23.02	22.61	22.80	22.64	22.54
WCDMA Band 4	1712.4	22.31	22.55	22.26	22.46	22.47
	1732.6	22.50	22.47	22.31	22.57	22.56
	1752.6	22.59	22.46	22.57	22.51	22.64
WCDMA Band 5	826.4	23.02	22.83	22.95	22.86	22.93
	836.6	23.02	22.80	22.76	22.80	22.76
	846.6	23.05	22.67	22.78	22.82	22.73

Results (HSPA+)

Band	Frequency (MHz)	RF Output Power (dBm)
WCDMA Band 2	1852.4	23.16
	1880	22.86
	1907.6	22.93
WCDMA Band 4	1712.4	22.48
	1732.6	22.57
	1752.6	22.47
WCDMA Band 5	826.4	23.19
	836.6	22.69
	846.6	22.75

Note:

1. The default test configuration is to measure SAR with an established radio link between the EUT and a communication test set using a 12.2 kbps RMC (reference measurement Channel) Configured in Test Loop Model 1.
2. KDB 941225 D01-Body SAR is not required for HSDPA/HSUPA/HSPA+ when the maximum average output of each RF channel is less than ¼ dB higher than measured 12.2kbps RMC or the maximum SAR for 12.2kbps RMC is < 75% of SAR limit.

LTE Band 2:

Test Bandwidth	Test Modulation	Resource Block & RB offset	Target MPR	Meas MPR	Low Channel (dBm)	Middle Channel (dBm)	High Channel (dBm)
1.4M	QPSK	1#0	0	0	23.63	23.8	23.64
		1#3	0	0	23.62	23.73	23.53
		1#5	0	0	23.57	23.74	23.81
		3#0	1	1	23.4	23.54	23.46
		3#1	1	1	23.38	23.63	23.38
		3#3	1	1	23.21	23.34	23.26
		6#0	1	1	22.7	22.82	22.7
	16-QAM	1#0	1	1	22.97	22.63	22.91
		1#3	1	1	23.05	22.66	23.02
		1#5	1	1	22.95	22.61	22.78
		3#0	2	2	22.61	22.32	22.58
		3#1	2	2	22.75	22.55	22.54
		3#3	2	2	22.62	22.41	22.62
		6#0	2	2	22.55	22.53	22.64
3M	QPSK	1#0	0	0	23.74	23.86	23.98
		1#7	0	0	23.8	23.69	23.78
		1#14	0	0	23.82	23.73	23.86
		8#0	1	1	23.37	23.38	23.38
		8#4	1	1	23.48	23.43	23.31
		8#7	1	1	23.46	23.53	23.52
		15#0	1	1	22.79	22.73	22.74
	16-QAM	1#0	1	1	22.96	22.77	22.89
		1#7	1	1	22.89	22.71	22.98
		1#14	1	1	22.92	22.63	22.96
		8#0	2	2	22.62	22.64	22.47
		8#4	2	2	22.75	22.62	22.53
		8#7	2	2	22.53	22.75	22.62
		15#0	2	2	22.07	22.64	22.95
5M	QPSK	1#0	0	0	23.86	23.96	23.78
		1#12	0	0	23.95	23.73	23.58
		1#24	0	0	23.79	23.88	23.81
		12#0	1	1	23.42	23.51	23.58
		12#6	1	1	23.52	23.4	23.42
		12#11	1	1	23.4	23.4	23.53
		25#0	1	1	22.74	22.89	22.74
	16-QAM	1#0	1	1	22.92	22.84	22.52
		1#12	1	1	22.75	22.79	22.56
		1#24	1	1	22.91	22.97	22.61
		12#0	2	2	22.56	22.49	22.22
		12#6	2	2	22.47	22.44	22.35
		12#11	2	2	22.45	22.5	22.36
		25#0	2	2	21.95	22.07	21.88

Test Bandwidth	Test Modulation	Resource Block & RB offset	Target MPR	Meas MPR	Low Channel (dBm)	Middle Channel (dBm)	High Channel (dBm)
10M	QPSK	1#0	0	0	23.78	23.86	23.69
		1#24	0	0	23.75	23.79	23.91
		1#49	0	0	23.79	23.75	23.64
		25#0	1	1	23.47	23.63	23.61
		25#12	1	1	23.64	23.64	23.57
		25#24	1	1	23.58	23.64	23.58
		50#0	1	1	22.83	22.96	22.97
	16-QAM	1#0	1	1	22.87	22.7	22.68
		1#24	1	1	22.83	22.51	22.46
		1#49	1	1	22.76	22.43	22.64
		25#0	2	2	22.57	22.28	22.39
		25#12	2	2	22.52	22.31	22.16
		25#24	2	2	22.41	22.31	22.38
		50#0	2	2	22.59	22.47	22.13
15M	QPSK	1#0	0	0	23.81	23.73	23.72
		1#37	0	0	23.66	23.7	23.76
		1#74	0	0	23.67	23.61	23.69
		36#0	1	1	23.37	23.38	23.4
		36#17	1	1	23.39	23.36	23.21
		36#35	1	1	23.35	23.4	23.4
		75#0	1	1	22.85	22.89	22.76
	16-QAM	1#0	1	1	22.59	22.72	22.64
		1#37	1	1	22.71	22.89	22.65
		1#74	1	1	22.85	22.89	22.57
		36#0	2	2	22.28	22.57	22.27
		36#17	2	2	22.32	22.58	22.34
		36#35	2	2	22.26	22.45	22.2
		75#0	2	2	22.4	22.73	22.6
20M	QPSK	1#0	0	0	23.62	23.76	23.67
		1#49	0	0	23.6	23.65	23.51
		1#99	0	0	23.67	23.69	23.78
		50#0	1	1	23.41	23.4	23.44
		50#24	1	1	23.4	23.52	23.39
		50#49	1	1	23.34	23.36	23.46
		100#0	1	1	22.94	23.17	22.67
	16-QAM	1#0	1	1	22.69	22.66	22.94
		1#49	1	1	22.64	22.6	22.79
		1#99	1	1	22.73	22.64	22.8
		50#0	2	2	22.41	22.3	22.47
		50#24	2	2	22.45	22.33	22.49
		50#49	2	2	22.4	22.27	22.51
		100#0	2	2	22.43	22.39	22.3

LTE Band 4:

Test Bandwidth	Test Modulation	Resource Block & RB offset	Target MPR	Meas MPR	Low Channel (dBm)	Middle Channel (dBm)	High Channel (dBm)
1.4M	QPSK	1#0	0	0	23.79	23.8	23.8
		1#3	0	0	23.85	23.75	23.82
		1#5	0	0	23.66	23.66	23.87
		3#0	1	1	23.56	23.6	23.66
		3#1	1	1	23.51	23.38	23.5
		3#3	1	1	23.49	23.4	23.67
		6#0	1	1	22.85	22.62	22.83
	16-QAM	1#0	1	1	23.15	23.11	23.28
		1#3	1	1	23.29	23.07	23.27
		1#5	1	1	23.25	22.96	23.3
		3#0	2	2	22.82	22.6	22.76
		3#1	2	2	22.81	22.61	22.74
		3#3	2	2	22.72	22.67	22.77
		6#0	2	2	22.31	22.11	22.21
3M	QPSK	1#0	0	0	23.61	23.56	23.77
		1#7	0	0	23.65	23.59	23.7
		1#14	0	0	23.79	23.45	23.68
		8#0	1	1	23.36	23.26	23.49
		8#4	1	1	23.42	23.22	23.32
		8#7	1	1	23.38	23.18	23.41
		15#0	1	1	22.61	22.62	23.02
	16-QAM	1#0	1	1	23.05	22.87	23.05
		1#7	1	1	23.05	22.92	22.92
		1#14	1	1	22.91	22.95	23.07
		8#0	2	2	22.56	22.66	22.89
		8#4	2	2	22.7	22.47	22.74
		8#7	2	2	22.66	22.63	22.91
		15#0	2	2	22.42	22.47	22.43
5M	QPSK	1#0	0	0	23.69	23.33	23.62
		1#12	0	0	23.71	23.27	23.55
		1#24	0	0	23.83	23.24	23.49
		12#0	1	1	23.4	22.83	23.08
		12#6	1	1	23.34	22.85	23.33
		12#11	1	1	23.33	22.74	23.26
		25#0	1	1	22.61	22.39	22.82
	16-QAM	1#0	1	1	23.05	22.76	22.95
		1#12	1	1	23.02	22.82	23.03
		1#24	1	1	23.12	22.94	23.02
		12#0	2	2	22.8	22.55	22.55
		12#6	2	2	22.74	22.4	22.66
		12#11	2	2	22.67	22.44	22.71
		25#0	2	2	22.5	22.4	22.14

Test Bandwidth	Test Modulation	Resource Block & RB offset	Target MPR	Meas MPR	Low Channel (dBm)	Middle Channel (dBm)	High Channel (dBm)
10M	QPSK	1#0	0	0	23.81	23.33	23.58
		1#24	0	0	23.75	23.39	23.49
		1#49	0	0	23.75	23.4	23.69
		25#0	1	1	23.23	23.01	23.17
		25#12	1	1	23.2	22.86	23.32
		25#24	1	1	23.31	22.98	23.25
		50#0	1	1	22.58	22.51	22.71
	16-QAM	1#0	1	1	22.97	22.86	22.94
		1#24	1	1	22.84	22.87	22.93
		1#49	1	1	22.9	22.77	23.03
		25#0	2	2	22.65	22.56	22.57
		25#12	2	2	22.63	22.62	22.77
		25#24	2	2	22.64	22.43	22.66
		50#0	2	2	22.43	22.47	22.43
15M	QPSK	1#0	0	0	23.73	23.42	23.63
		1#37	0	0	23.81	23.52	23.68
		1#74	0	0	23.66	23.42	23.54
		36#0	1	1	23.26	23.08	23.41
		36#17	1	1	23.32	22.91	23.38
		36#35	1	1	23.26	22.99	23.41
		75#0	1	1	22.48	22.29	22.6
	16-QAM	1#0	1	1	22.8	22.76	22.95
		1#37	1	1	22.89	22.8	22.82
		1#74	1	1	22.8	22.78	22.86
		36#0	2	2	22.55	22.33	22.46
		36#17	2	2	22.62	22.24	22.49
		36#35	2	2	22.53	22.26	22.52
		75#0	2	2	22.6	22.69	22.52
20M	QPSK	1#0	0	0	23.47	23.02	23.36
		1#49	0	0	23.64	23.8	23.41
		1#99	0	0	23.5	22.97	23.29
		50#0	1	1	23.11	23.02	22.9
		50#24	1	1	23.1	22.61	22.91
		50#49	1	1	23.12	22.46	22.71
		100#0	1	1	22.44	22.01	22.25
	16-QAM	1#0	1	1	22.92	22.96	23.05
		1#49	1	1	22.94	22.8	22.94
		1#99	1	1	22.98	22.8	22.94
		50#0	2	2	22.86	22.45	22.66
		50#24	2	2	22.63	22.45	22.66
		50#49	2	2	22.82	22.45	22.58
		100#0	2	2	22.48	22.41	22.46

LTE Band 12:

Test Bandwidth	Test Modulation	Resource Block & RB offset	Target MPR	Meas MPR	Low Channel (dBm)	Middle Channel (dBm)	High Channel (dBm)
1.4M	QPSK	1#0	0	0	23.57	23.43	23.29
		1#3	0	0	23.53	23.25	23.46
		1#5	0	0	23.63	23.44	23.32
		3#0	1	1	23.19	22.92	23.06
		3#1	1	1	23.3	22.91	23.18
		3#3	1	1	23.29	22.94	23.1
		6#0	1	1	22.6	22.8	22.13
	16-QAM	1#0	1	1	22.81	22.82	22.7
		1#3	1	1	22.83	22.83	22.79
		1#5	1	1	22.73	22.72	22.88
		3#0	2	2	22.36	22.5	22.39
		3#1	2	2	22.31	22.48	22.42
		3#3	2	2	22.68	22.83	22.43
		6#0	2	2	22.26	22.5	22.57
3M	QPSK	1#0	0	0	23.56	23.73	23.55
		1#7	0	0	23.77	23.85	23.49
		1#14	0	0	23.74	23.78	23.51
		8#0	1	1	23.21	23.34	23.12
		8#4	1	1	23.22	23.29	23.15
		8#7	1	1	23.15	23.39	23.17
		15#0	1	1	22.89	22.92	22.69
	16-QAM	1#0	1	1	22.88	23.08	22.63
		1#7	1	1	23	22.98	22.71
		1#14	1	1	23.05	22.97	22.65
		8#0	2	2	22.38	22.66	22.28
		8#4	2	2	22.45	22.65	22.31
		8#7	2	2	22.44	22.63	22.26
		15#0	2	2	22.49	22.51	22.55
5M	QPSK	1#0	0	0	23.73	23.74	23.6
		1#12	0	0	23.85	23.66	23.77
		1#24	0	0	23.7	23.77	23.7
		12#0	1	1	23.41	23.6	23.35
		12#6	1	1	23.32	23.55	23.2
		12#11	1	1	23.29	23.52	23.24
		25#0	1	1	22.62	22.54	22.45
	16-QAM	1#0	1	1	23.03	23.11	22.66
		1#12	1	1	22.9	23.07	22.54
		1#24	1	1	22.81	23.07	22.62
		12#0	2	2	22.59	22.73	22.2
		12#6	2	2	22.59	22.77	22.45
		12#11	2	2	22.49	22.72	22.29
		25#0	2	2	22.35	22.35	22.6

Test Bandwidth	Test Modulation	Resource Block & RB offset	Target MPR	Meas MPR	Low Channel (dBm)	Middle Channel (dBm)	High Channel (dBm)
10M	QPSK	1#0	0	0	23.64	23.8	23.52
		1#24	0	0	23.71	23.95	23.63
		1#49	0	0	23.67	23.92	23.44
		25#0	1	1	23.32	23.51	23.13
		25#12	1	1	23.21	23.53	23.02
		25#24	1	1	23.14	23.43	22.9
		50#0	1	1	22.55	22.84	22.32
	16-QAM	1#0	1	1	23.1	23.07	22.69
		1#24	1	1	23.04	23.14	22.71
		1#49	1	1	23.1	23.14	22.64
		25#0	2	2	22.52	22.83	22.29
		25#12	2	2	22.47	22.76	22.36
		25#24	2	2	22.64	22.67	22.35
		50#0	2	2	22.49	22.47	22.52

Note:

1. SAR for LTE band exposure configurations is measured according to the procedures of KDB 941225 D05 SAR for LTE Devices v02.
2. The CMW500 Wideband Radio Communication tester is used for LTE output power measurements and SAR testing. Closed loop power control is used to keep the radio transmitters the max output power during the test.
3. KDB941225D05v02- SAR for higher order modulation is required only when the highest maximum output power for the configuration in the higher order modulation is > ½ dB higher than the same configuration in QPSK or when the reported SAR for the QPSK configuration is > 1.45 W/kg

WLAN:

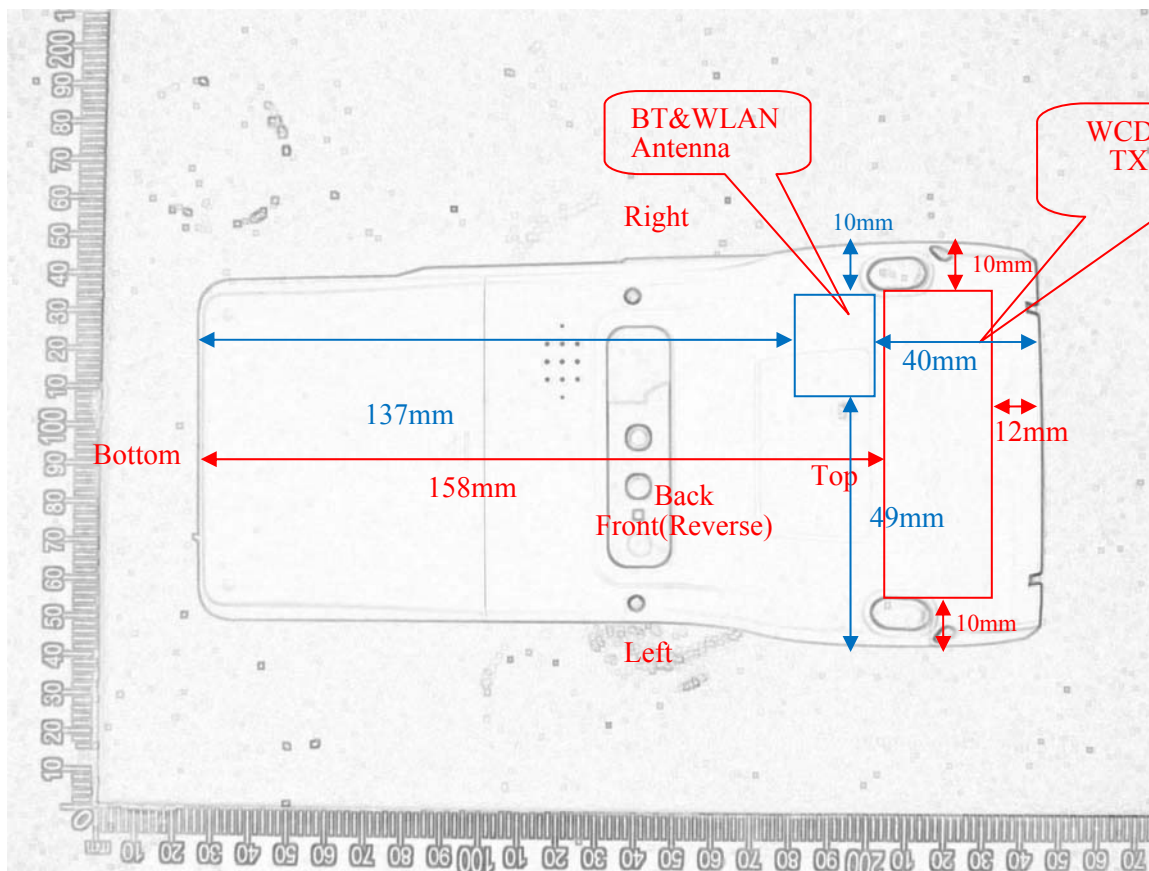
Mode	Channel frequency	Data Rate	RF Output Power
802.11b	2412	1Mbps	9.27
	2437		9.22
	2462		9.48
802.11g	2412	6Mbps	9.47
	2437		9.39
	2462		9.46
802.11n HT20	2412	MCS0	9.43
	2437		9.34
	2462		9.48
802.11n HT40	2422		9.47
	2437		9.29
	2452		9.47

Bluetooth:

Mode	Channel frequency (MHz)	RF Output Power (dBm)
BDR(GFSK)	2402	7.85
	2441	8.93
	2480	7.31
EDR($\pi/4$ -DQPSK)	2402	8.56
	2441	9.49
	2480	7.92
EDR(8-DPSK)	2402	3.80
	2441	4.71
	2480	3.28
Bluetooth LE	2402	-4.67
	2440	-1.24
	2480	-1.67

Standalone SAR test exclusion considerations

Antennas Location:



Antenna Distance To Edge

Antenna Distance To Edge(mm)					
Antenna	Back	Left	Right	Top	Bottom
WWAN(WCDMA/LTE)	< 5	10	10	12	158
WLAN/BT Antenna	< 5	49	10	40	137

Standalone SAR test exclusion considerations

Mode	Frequency (MHz)	Pavg (dBm)	Pavg (mW)	Distance (mm)	Calculated value	Threshold (1-g)	SAR Test Exclusion
WLAN	2462	9.6	9.12	0	2.9	3	YES
Bluetooth	2480	9.6	9.12	0	2.9	3	YES

NOTE:

The 1-g and 10-g SAR test exclusion thresholds for 100 MHz to 6 GHz at test separation distances ≤ 50 mm are determined by:

$$[(\text{max. power of channel, including tune-up tolerance, mW}) / (\text{min. test separation distance, mm})] \cdot [\sqrt{f(\text{GHz})}] \leq 3.0 \text{ for 1-g SAR and } \leq 7.5 \text{ for 10-g extremity SAR, where}$$

1. f(GHz) is the RF channel transmit frequency in GHz.

2. Power and distance are rounded to the nearest mW and mm before calculation.
3. The result is rounded to one decimal place for comparison.
4. When the minimum test separation distance is < 5 mm, a distance of 5 mm is applied to determine SAR test Exclusion.

Standalone SAR estimation:

Mode	Frequency (MHz)	Pavg (dBm)	Pavg (mW)	Distance (mm)	Estimated 1-g (W/kg)
WLAN Body	2462	9.6	9.12	0	0.38
BT Body	2480	9.6	9.12	0	0.38

When standalone SAR test exclusion applies to an antenna that transmits simultaneously with other antennas, the standalone SAR must be estimated according to following to determine simultaneous transmission SAR test exclusion:

$$[(\text{max. power of channel, including tune-up tolerance, mW}) / (\text{min. test separation distance, mm})] \cdot [\sqrt{f(\text{GHz})} / x]$$

W/kg for test separation distances ≤ 50 mm;

where x = 7.5 for 1-g SAR.

When the minimum test separation distance is < 5 mm, a distance of 5 mm is applied to determine SAR test Exclusion

Standalone SAR test exclusion considerations:

Mode	Frequency (MHz)	Pavg (dBm)	Pavg (mW)	Test Exclusion Distance (mm)
WCDMA Band 2	1907.6	23.5	223.9	62
WCDMA Band 4	1752.6	23.5	223.9	62
WCDMA Band 5	846.6	23.5	223.9	62
LTE Band 2	1900	24	251.2	65
LTE Band 4	1745	24	251.2	64
LTE Band 12	711	24	251.2	66

SAR test exclusion for the EUT edge considerations Result

Mode	Back	Left	Right	Top	Bottom
WCDMA Band 2	Required	Required	Required	Required	Exclusion
WCDMA Band 4	Required	Required	Required	Required	Exclusion
WCDMA Band 5	Required	Required	Required	Required	Exclusion
LTE Band 2	Required	Required	Required	Required	Exclusion
LTE Band 4	Required	Required	Required	Required	Exclusion
LTE Band 12	Required	Required	Required	Required	Exclusion

Note:

Required: The distance is less than **Test Exclusion Distance**, the SAR test is required.

Exclusion: The distance is large than **Test Exclusion Distance**, SAR test is not required.

SAR test exclusion for the EUT edge considerations detail:**Distance < 50mm (To Edges)**

The 1-g and 10-g SAR test exclusion thresholds for 100 MHz to 6 GHz at test separation distances ≤ 50 mm are determined by:

$[(\text{max. power of channel, including tune-up tolerance, mW}) / (\text{min. test separation distance, mm})] \cdot$

$[\sqrt{f(\text{GHz})}] \leq 3.0$ for 1-g SAR and ≤ 7.5 for 10-g extremity SAR, where

1. $f(\text{GHz})$ is the RF channel transmit frequency in GHz.

2. Power and distance are rounded to the nearest mW and mm before calculation.

3. The result is rounded to one decimal place for comparison.

4. When the minimum test separation distance is < 5 mm, a distance of 5 mm is applied to determine SAR test Exclusion.

5. The Time based average Power is used for calculation

Distance > 50mm (To Edges)

At 100 MHz to 6 GHz and for *test separation distances* > 50 mm, the SAR test exclusion threshold is determined according to the following:

a) $[\text{Power allowed at numeric threshold for 50 mm in step 1}) + (\text{test separation distance} - 50 \text{ mm}) \cdot (f(\text{MHz})/150)]$
mW, at 100 MHz to 1500 MHz

b) $[\text{Power allowed at numeric threshold for 50 mm in step 1}) + (\text{test separation distance} - 50 \text{ mm}) \cdot 10]$ mW at > 1500 MHz and ≤ 6 GHz

SAR MEASUREMENT RESULTS

This page summarizes the results of the performed dosimetric evaluation.

SAR Test Data

Environmental Conditions

Temperature:	22.4-23.6 °C	22.5-23.8 °C
Relative Humidity:	39 %	41 %
ATM Pressure:	101.0 kPa	100.8 kPa
Test Date:	2018/01/06	2018/01/07

Testing was performed by Ken Zhu, Sam Liang, William Ye.

WCDMA Band 2:

EUT Position	Frequency (MHz)	Test Mode	Max. Meas. Power (dBm)	Max. Rated Power (dBm)	1g SAR (W/kg)			
					Scaled Factor	Meas. SAR	Scaled SAR	Plot
Body Back (0mm)	1852.4	RMC	23.38	23.5	1.028	1.06	1.09	1#
	1880	RMC	23.39	23.5	1.026	1.05	1.08	2#
	1907.6	RMC	23.32	23.5	1.042	0.924	0.96	3#
Body Left (0mm)	1852.4	RMC	/	/	/	/	/	/
	1880	RMC	23.39	23.5	1.026	0.436	0.45	4#
	1907.6	RMC	/	/	/	/	/	/
Body Right (0mm)	1852.4	RMC	/	/	/	/	/	/
	1880	RMC	23.39	23.5	1.026	0.478	0.49	5#
	1907.6	RMC	/	/	/	/	/	/
Body Top (0mm)	1852.4	RMC	/	/	/	/	/	/
	1880	RMC	23.39	23.5	1.026	0.636	0.65	6#
	1907.6	RMC	/	/	/	/	/	/

WCDMA Band 4:

EUT Position	Frequency (MHz)	Test Mode	Max. Meas. Power (dBm)	Max. Rated Power (dBm)	1g SAR (W/kg)			
					Scaled Factor	Meas. SAR	Scaled SAR	Plot
Body Back (0mm)	1712.4	RMC	23.36	23.5	1.033	0.740	0.76	7#
	1732.6	RMC	23.03	23.5	1.114	0.847	0.94	8#
	1752.6	RMC	23.15	23.5	1.084	0.904	0.98	9#
Body Left (0mm)	1712.4	RMC	/	/	/	/	/	/
	1732.6	RMC	23.03	23.5	1.114	0.268	0.30	10#
	1752.6	RMC	/	/	/	/	/	/
Body Right (0mm)	1712.4	RMC	/	/	/	/	/	/
	1732.6	RMC	23.03	23.5	1.114	0.453	0.50	11#
	1752.6	RMC	/	/	/	/	/	/
Body Top (0mm)	1712.4	RMC	/	/	/	/	/	/
	1732.6	RMC	23.03	23.5	1.114	0.054	0.06	12#
	1752.6	RMC	/	/	/	/	/	/

WCDMA Band 5:

EUT Position	Frequency (MHz)	Test Mode	Max. Meas. Power (dBm)	Max. Rated Power (dBm)	1g SAR (W/kg)			
					Scaled Factor	Meas. SAR	Scaled SAR	Plot
Body Back (0mm)	826.4	RMC	/	/	/	/	/	/
	836.6	RMC	23.16	23.5	1.081	0.264	0.29	13#
	846.6	RMC	/	/	/	/	/	/
Body Left (0mm)	826.4	RMC	/	/	/	/	/	/
	836.6	RMC	23.16	23.5	1.081	0.033	0.04	14#
	846.6	RMC	/	/	/	/	/	/
Body Right (0mm)	826.4	RMC	/	/	/	/	/	/
	836.6	RMC	23.16	23.5	1.081	0.079	0.09	15#
	846.6	RMC	/	/	/	/	/	/
Body Top (0mm)	826.4	RMC	/	/	/	/	/	/
	836.6	RMC	23.16	23.5	1.081	0.035	0.04	16#
	846.6	RMC	/	/	/	/	/	/

Note:

1. When the 1-g SAR is $\leq 0.8W/kg$, testing for other channels are optional.
2. The EUT transmit and receive through the same antenna while testing SAR.
3. The default test configuration is to measure SAR with an established radio link between the EUT and a communication test set using a 12.2 kbps RMC (reference measurement Channel) Configured in Test Loop Model.
4. KDB 941225 D01-Body SAR is not required for HSDPA/HSUPA/HSPA+ when the maximum average output of each RF channel is less than $\frac{1}{4}$ dB higher than measured 12.2kbps RMC or the maximum SAR for 12.2kbps RMC is $< 75\%$ of SAR limit.
5. When SAR or MPE is not measured at the maximum power level allowed for production units, the results must be scaled to the maximum tune-up tolerance limit according to the power applied to the individual channels tested to determine compliance.

LTE Band 2:

EUT Position	Frequency (MHz)	Bandwidth (MHz)	Test Mode	Max. Meas. Power (dBm)	Max. Rated Power (dBm)	1g SAR (W/kg)			
						Scaled Factor	Meas. SAR	Scaled SAR	Plot
Body Back (0mm)	1860	20	1RB	23.67	24	1.079	0.998	1.08	17#
	1880	20	1RB	23.69	24	1.074	1.02	1.10	18#
	1900	20	1RB	23.78	24	1.052	1.04	1.09	19#
	1860	20	50%RB	23.4	24	1.148	0.912	1.05	20#
	1880	20	50%RB	23.52	24	1.117	0.943	1.05	21#
	1900	20	50%RB	23.39	24	1.151	0.851	0.98	22#
	1880	20	100%RB	23.17	24	1.211	0.696	0.84	23#
Body Left (0mm)	1860	20	1RB	/	/	/	/	/	/
	1880	20	1RB	23.69	24	1.074	0.346	0.37	24#
	1900	20	1RB	/	/	/	/	/	/
	1880	20	50%RB	23.52	24	1.117	0.279	0.31	25#
Body Right (0mm)	1860	20	1RB	/	/	/	/	/	/
	1880	20	1RB	23.69	24	1.074	0.429	0.46	26#
	1900	20	1RB	/	/	/	/	/	/
	1880	20	50%RB	23.52	24	1.117	0.315	0.35	27#
Body Top (0mm)	1860	20	1RB	/	/	/	/	/	/
	1880	20	1RB	23.69	24	1.074	0.615	0.66	28#
	1900	20	1RB	/	/	/	/	/	/
	1880	20	50%RB	23.52	24	1.117	0.499	0.56	29#

LTE Band 4:

EUT Position	Frequency (MHz)	Bandwidth (MHz)	Test Mode	Max. Meas. Power (dBm)	Max. Rated Power (dBm)	1g SAR (W/kg)			
						Scaled Factor	Meas. SAR	Scaled SAR	Plot
Body Back (0mm)	1720	20	1RB	/	/	/	/	/	/
	1732.5	20	1RB	23.8	24	1.047	0.755	0.79	30#
	1745	20	1RB	/	/	/	/	/	/
	1732.5	20	50%RB	23.02	24	1.253	0.625	0.78	31#
Body Left (0mm)	1720	20	1RB	/	/	/	/	/	/
	1732.5	20	1RB	23.8	24	1.047	0.150	0.16	32#
	1745	20	1RB	/	/	/	/	/	/
	1732.5	20	50%RB	23.02	24	1.253	0.131	0.16	33#
Body Right (0mm)	1720	20	1RB	/	/	/	/	/	/
	1732.5	20	1RB	23.8	24	1.047	0.279	0.29	34#
	1745	20	1RB	/	/	/	/	/	/
	1732.5	20	50%RB	23.02	24	1.253	0.236	0.30	35#
Body Top (0mm)	1720	20	1RB	/	/	/	/	/	/
	1732.5	20	1RB	23.8	24	1.047	0.063	0.07	36#
	1745	20	1RB	/	/	/	/	/	/
	1732.5	20	50%RB	23.02	24	1.253	0.044	0.06	37#

LTE Band 12:

EUT Position	Frequency (MHz)	Bandwidth (MHz)	Test Mode	Max. Meas. Power (dBm)	Max. Rated Power (dBm)	1g SAR (W/kg)			
						Scaled Factor	Meas. SAR	Scaled SAR	Plot
Body Back (0mm)	704	10	1RB	23.71	24	1.069	1.04	1.11	38#
	707.5	10	1RB	23.95	24	1.012	1.05	1.06	39#
	711	10	1RB	23.63	24	1.089	0.902	0.98	40#
	704	10	50%RB	23.21	24	1.199	0.883	1.06	41#
	707.5	10	50%RB	23.53	24	1.114	0.920	1.02	42#
	711	10	50%RB	23.02	24	1.253	0.775	0.97	43#
	707.5	10	100%RB	22.84	24	1.306	0.706	0.92	44#
Body Left (0mm)	704	10	1RB	/	/	/	/	/	/
	707.5	10	1RB	23.95	24	1.012	0.317	0.32	45#
	711	10	1RB	/	/	/	/	/	/
	707.5	10	50%RB	23.53	24	1.114	0.253	0.28	46#
Body Right (0mm)	704	10	1RB	/	/	/	/	/	/
	707.5	10	1RB	23.95	24	1.012	0.570	0.58	47#
	711	10	1RB	/	/	/	/	/	/
	707.5	10	50%RB	23.53	24	1.114	0.453	0.50	48#
Body Top (0mm)	704	10	1RB	/	/	/	/	/	/
	707.5	10	1RB	23.95	24	1.012	0.184	0.19	49#
	711	10	1RB	/	/	/	/	/	/
	707.5	10	50%RB	23.53	24	1.114	0.153	0.17	50#

Note:

- SAR for LTE band exposure configurations is measured according to the procedures of KDB 941225 D05 SAR for LTE Devices v02.
- KDB941225D05- Start with the largest channel bandwidth and measure SAR for QPSK with 1 RB allocation, using the RB offset and required test channel combination with the highest maximum output power among RB offset the upper edge, middle and lower edge of each required test channel.
- When the 1-g SAR is ≤ 0.8 W/kg, testing for other channels are optional.
- Worst case SAR for 50% RB allocation is selected to be tested.
- KDB941225D05- For QPSK with 100% RB allocation, SAR is not required when the highest maximum output power for 100 % RB allocation is less than the highest maximum output power in 50% and 1 RB allocations and the highest reported SAR for 1 RB and 50% RB allocation are ≤ 0.8 W/kg.
- KDB941225D05-For QPSK with 100% RB allocation, when the reported SAR measured for the Highest output power channel is < 1.45 W/kg, tests for the remaining required test channels are optional.
- KDB941225D05- other channel bandwidths SAR test is required when the highest maximum output power of a configuration requiring testing in the smaller channel bandwidth is $> \frac{1}{2}$ dB higher than the equivalent channel configurations in the largest channel bandwidth configuration or the reported SAR of a configuration for the largest channel bandwidth is > 1.45 W/kg.
- KDB941225D05-SAR for higher order modulation is required only when the highest maximum output power for the configuration in the higher order modulation is $> \frac{1}{2}$ dB higher than the same configuration in QPSK or when the reported SAR for the QPSK configuration is > 1.45 W/kg.

SAR Measurement Variability

In accordance with published RF Exposure KDB procedure 865664 D01 SAR measurement 100 MHz to 6 GHz v01. These additional measurements are repeated after the completion of all measurements requiring the same head or body tissue-equivalent medium in a frequency band. The test device should be returned to ambient conditions (normal room temperature) with the battery fully charged before it is re-mounted on the device holder for the repeated measurement(s) to minimize any unexpected variations in the repeated results

- 1) Repeated measurement is not required when the original highest measured SAR is < 0.80 W/kg; steps 2) through 4) do not apply.
- 2) When the original highest measured SAR is ≥ 0.80 W/kg, repeat that measurement once.
- 3) Perform a second repeated measurement only if the ratio of largest to smallest SAR for the original and first repeated measurements is > 1.20 or when the original or repeated measurement is ≥ 1.45 W/kg (~ 10% from the 1-g SAR limit).
- 4) Perform a third repeated measurement only if the original, first or second repeated measurement is ≥ 1.5 W/kg and the ratio of largest to smallest SAR for the original, first and second repeated measurements is > 1.20.

Note: The same procedures should be adapted for measurements according to extremity and occupational exposure limits by applying a factor of 2.5 for extremity exposure and a factor of 5 for occupational exposure to the corresponding SAR thresholds.

The Highest Measured SAR Configuration in Each Frequency Band

Body

Frequency Band	Freq.(MHz)	EUT Position	Meas. SAR (W/kg)		Largest to Smallest SAR Ratio
			Original	Repeated	
(650-850MHz) LTE Band 12	707.5	Body Back	1.05	1.02	1.03
(1650-1850MHz) WCDMA Band 4	1752.6	Body Back	0.904	0.893	1.01
(1850-2000MHz) WCDMA Band 2	1852.4	Body Back	1.06	1.01	1.05

Note:

1. Second Repeated Measurement is not required since the ratio of the largest to smallest SAR for the original and first repeated measurement is not > 1.20.
2. The measured SAR results **do not** have to be scaled to the maximum tune-up tolerance to determine if repeated measurements are required.
3. SAR measurement variability must be assessed for each frequency band, which is determined by the **SAR probe calibration point and tissue-equivalent medium** used for the device measurements..

SAR SIMULTANEOUS TRANSMISSION DESCRIPTION

Simultaneous Transmission:

Description of Simultaneous Transmit Capabilities		
Transmitter Combination	Simultaneous?	Hotspot?
WCDMA+LTE	×	×
WCDMA + Bluetooth	√	×
WCDMA + WLAN	√	√
LTE + Bluetooth	√	×
LTE + WLAN	√	√

Notes:

KDB616217 D04- The standalone and simultaneous transmission SAR tests required for tablets are more conservative than the hotspot mode use configurations; therefore, additional testing for hotspot SAR is not required.

Simultaneous SAR test exclusion considerations:

Mode(SAR1+SAR2)	Position	Reported SAR(W/kg)		ΣSAR < 1.6W/kg
		SAR1	SAR2	
WCDMA Band 2+Bluetooth	Body Back	1.09	0.38	1.47
	Body Left	0.45	0.38	0.83
	Body Right	0.49	0.38	0.87
	Body Top	0.65	0.38	1.03
WCDMA Band 4+Bluetooth	Body Back	0.98	0.38	1.36
	Body Left	0.30	0.38	0.68
	Body Right	0.50	0.38	0.88
	Body Top	0.06	0.38	0.44
WCDMA Band 5+Bluetooth	Body Back	0.29	0.38	0.67
	Body Left	0.04	0.38	0.42
	Body Right	0.09	0.38	0.47
	Body Top	0.04	0.38	0.42
LTE Band 2+Bluetooth	Body Back	1.10	0.38	1.48
	Body Left	0.37	0.38	0.75
	Body Right	0.46	0.38	0.84
	Body Top	0.66	0.38	1.04
LTE Band 4+Bluetooth	Body Back	0.79	0.38	1.17
	Body Left	0.16	0.38	0.54
	Body Right	0.30	0.38	0.68
	Body Top	0.07	0.38	0.45
LTE Band 12+Bluetooth	Body Back	1.11	0.38	1.49
	Body Left	0.32	0.38	0.70
	Body Right	0.58	0.38	0.96
	Body Top	0.19	0.38	0.57

Mode(SAR1+SAR2)	Position	Reported SAR(W/kg)		ΣSAR < 1.6W/kg
		SAR1	SAR2	
WCDMA Band 2+ WLAN	Body Back	1.09	0.38	1.47
	Body Left	0.45	0.38	0.83
	Body Right	0.49	0.38	0.87
	Body Top	0.65	0.38	1.03
WCDMA Band 4+ WLAN	Body Back	0.98	0.38	1.36
	Body Left	0.30	0.38	0.68
	Body Right	0.50	0.38	0.88
	Body Top	0.06	0.38	0.44
WCDMA Band 5+ WLAN	Body Back	0.29	0.38	0.67
	Body Left	0.04	0.38	0.42
	Body Right	0.09	0.38	0.47
	Body Top	0.04	0.38	0.42
LTE Band 2+ WLAN	Body Back	1.10	0.38	1.48
	Body Left	0.37	0.38	0.75
	Body Right	0.46	0.38	0.84
	Body Top	0.66	0.38	1.04
LTE Band 4+ WLAN	Body Back	0.79	0.38	1.17
	Body Left	0.16	0.38	0.54
	Body Right	0.30	0.38	0.68
	Body Top	0.07	0.38	0.45
LTE Band 12+ WLAN	Body Back	1.11	0.38	1.49
	Body Left	0.32	0.38	0.70
	Body Right	0.58	0.38	0.96
	Body Top	0.19	0.38	0.57

Note:

KDB616217 D04- The standalone and simultaneous transmission SAR tests required for tablets are more conservative than the hotspot mode use configurations; therefore, additional testing for hotspot SAR is not required.

Conclusion:

Sum of SAR: ΣSAR ≤ 1.6 W/kg therefore simultaneous transmission SAR with Volume Scans is **not required**.

SAR Plots

Please Refer to the Attachment.

APPENDIX A MEASUREMENT UNCERTAINTY

The uncertainty budget has been determined for the measurement system and is given in the following Table.

Measurement uncertainty evaluation for IEEE1528-2013 SAR test

Source of uncertainty	Tolerance/uncertainty ± %	Probability distribution	Divisor	ci (1 g)	ci (10 g)	Standard uncertainty ± %, (1 g)	Standard uncertainty ± %, (10 g)
Measurement system							
Probe calibration	6.55	N	1	1	1	6.6	6.6
Axial Isotropy	4.7	R	√3	1	1	2.7	2.7
Hemispherical Isotropy	9.6	R	√3	0	0	0.0	0.0
Boundary effect	1.0	R	√3	1	1	0.6	0.6
Linearity	4.7	R	√3	1	1	2.7	2.7
Detection limits	1.0	R	√3	1	1	0.6	0.6
Readout electronics	0.3	N	1	1	1	0.3	0.3
Response time	0.0	R	√3	1	1	0.0	0.0
Integration time	0.0	R	√3	1	1	0.0	0.0
RF ambient conditions – noise	1.0	R	√3	1	1	0.6	0.6
RF ambient conditions–reflections	1.0	R	√3	1	1	0.6	0.6
Probe positioner mech. Restrictions	0.8	R	√3	1	1	0.5	0.5
Probe positioning with respect to phantom shell	6.7	R	√3	1	1	3.9	3.9
Post-processing	2.0	R	√3	1	1	1.2	1.2
Test sample related							
Test sample positioning	2.8	N	1	1	1	2.8	2.8
Device holder uncertainty	6.3	N	1	1	1	6.3	6.3
Drift of output power	5.0	R	√3	1	1	2.9	2.9
Phantom and set-up							
Phantom uncertainty (shape and thickness tolerances)	4.0	R	√3	1	1	2.3	2.3
Liquid conductivity target)	5.0	R	√3	0.64	0.43	1.8	1.2
Liquid conductivity meas.)	2.5	N	1	0.64	0.43	1.6	1.1
Liquid permittivity target)	5.0	R	√3	0.6	0.49	1.7	1.4
Liquid permittivity meas.)	2.5	N	1	0.6	0.49	1.5	1.2
Combined standard uncertainty		RSS				12.2	12.0
Expanded uncertainty 95 % confidence interval)						24.3	23.9

Measurement uncertainty evaluation for IEC62209-2 SAR test

Source of uncertainty	Tolerance/uncertainty ± %	Probability distribution	Divisor	ci (1 g)	ci (10 g)	Standard uncertainty ± %, (1 g)	Standard uncertainty ± %, (10 g)
Measurement system							
Probe calibration	6.55	N	1	1	1	6.6	6.6
Axial Isotropy	4.7	R	√3	1	1	2.7	2.7
Hemispherical Isotropy	9.6	R	√3	0	0	0.0	0.0
Linearity	4.7	R	√3	1	1	2.7	2.7
Modulation Response	0.0	R	√3	1	1	0.0	0.0
Detection limits	1.0	R	√3	1	1	0.6	0.6
Boundary effect	1.0	R	√3	1	1	0.6	0.6
Readout electronics	0.3	N	1	1	1	0.3	0.3
Response time	0.0	R	√3	1	1	0.0	0.0
Integration time	0.0	R	√3	1	1	0.0	0.0
RF ambient conditions – noise	1.0	R	√3	1	1	0.6	0.6
RF ambient conditions–reflections	1.0	R	√3	1	1	0.6	0.6
Probe positioner mech. Restrictions	0.8	R	√3	1	1	0.5	0.5
Probe positioning with respect to phantom shell	6.7	R	√3	1	1	3.9	3.9
Post-processing	2.0	R	√3	1	1	1.2	1.2
Test sample related							
Device holder Uncertainty	6.3	N	1	1	1	6.3	6.3
Test sample positioning	2.8	N	1	1	1	2.8	2.8
Power scaling	4.5	R	√3	1	1	2.6	2.6
Drift of output power	5.0	R	√3	1	1	2.9	2.9
Phantom and set-up							
Phantom uncertainty (shape and thickness tolerances)	4.0	R	√3	1	1	2.3	2.3
Algorithm for correcting SAR for deviations in permittivity and conductivity	1.9	N	1	1	0.84	1.1	0.9
Liquid conductivity (meas.)	2.5	N	1	0.64	0.43	1.6	1.1
Liquid permittivity (meas.)	2.5	N	1	0.6	0.49	1.5	1.2
Temp. unc. - Conductivity	1.7	R	√3	0.78	0.71	0.8	0.7
Temp. unc. - Permittivity	0.3	R	√3	0.23	0.26	0.0	0.0
Combined standard uncertainty		RSS				12.2	12.1
Expanded uncertainty 95 % confidence interval)						24.5	24.2

APPENDIX B EUT TEST POSITION PHOTOS

Please Refer to the Attachment.

APPENDIX C CALIBRATION CERTIFICATES

Please Refer to the Attachment.

******* END OF REPORT *******