

U680AA Antenna Datasheet

Etheta Communication Technology (ShenZhen) Co. Ltd

catalogue

- 1. Capability Status**
- 2. Antenna Location**
- 3. Antenna Pattern**
- 4. Antenna Passive Efficiency**
- 5. Simple Antenna Pattern Plot**
- 6. Model number of the antenna**
- 7. Antenna return loss**
- 8. Address**

1. Capability Status

a. Main software and hardware facilities for antenna R&D

Equipment introduction

Shanghai: Satimo:1 GTS2800:1

A-plus:1

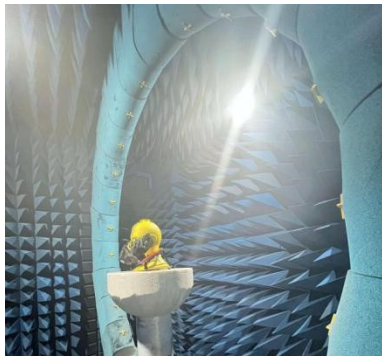
Shenzhen: Satimo:2 GTS2800:1 Dasy6:1

Airlink 1 NFC-Micro Pross CTS 3.0:1

Xian: GTS2800:1

Beijing: GTS1800:1

Chongqing: GTS2800:1



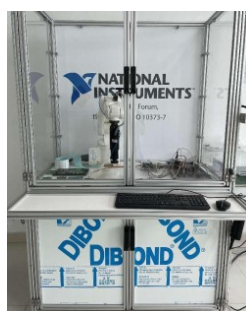
Satimo SG24



GTS2800



DASY6



NFC

b. Full category testing capability

Support system

GSM/WCDMA/EVDO/TDSCDMA/TDD/FDD/5G-SA/5G-NSA/eMTC/NB-iot/GPS/WiFi

(WiFi 6/6E) /BT/CA/ENDC

Common equipment

Anritsu MT8000A

Anritsu MT8821C

5071C

CMW500

Anritsu MT8820

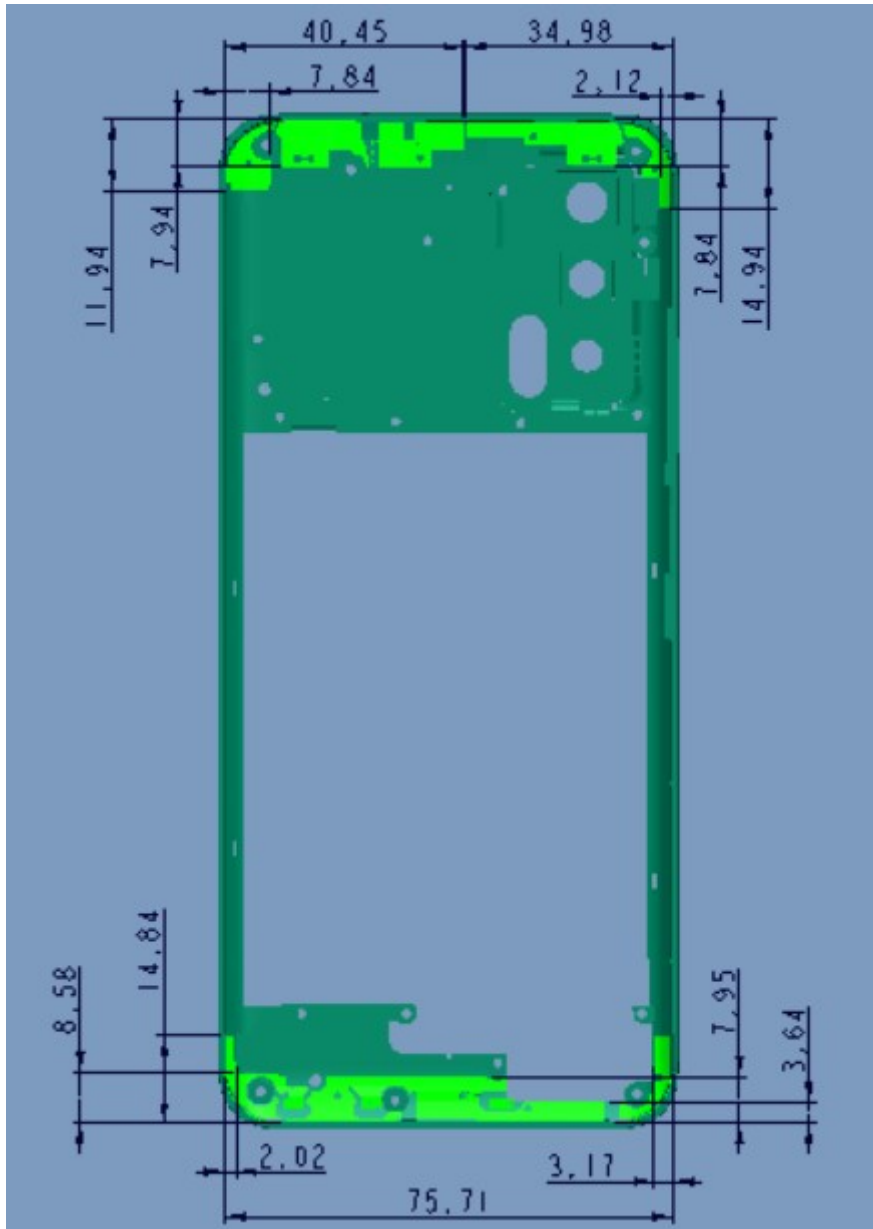
SAM-V4.5BS

STANG-HAND-P10(TWS)

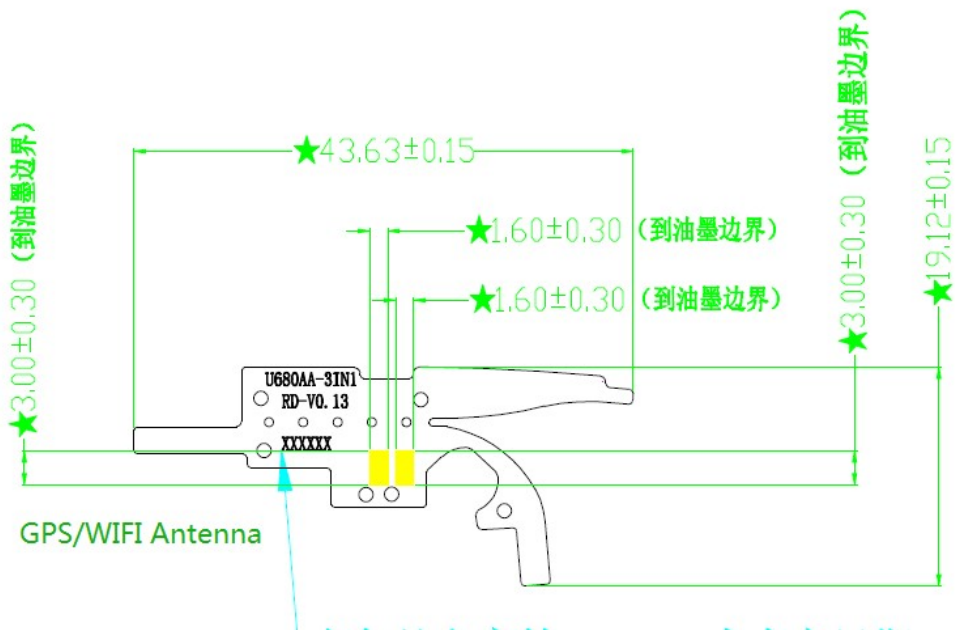
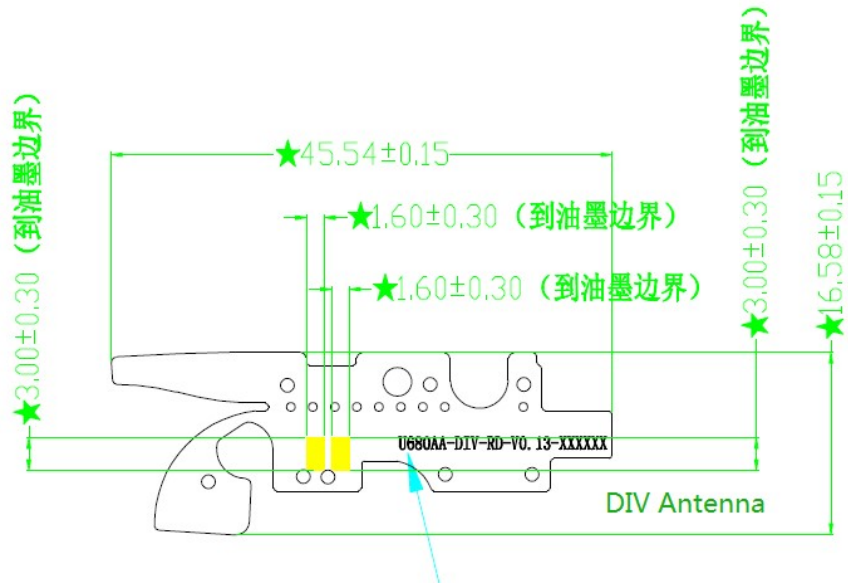
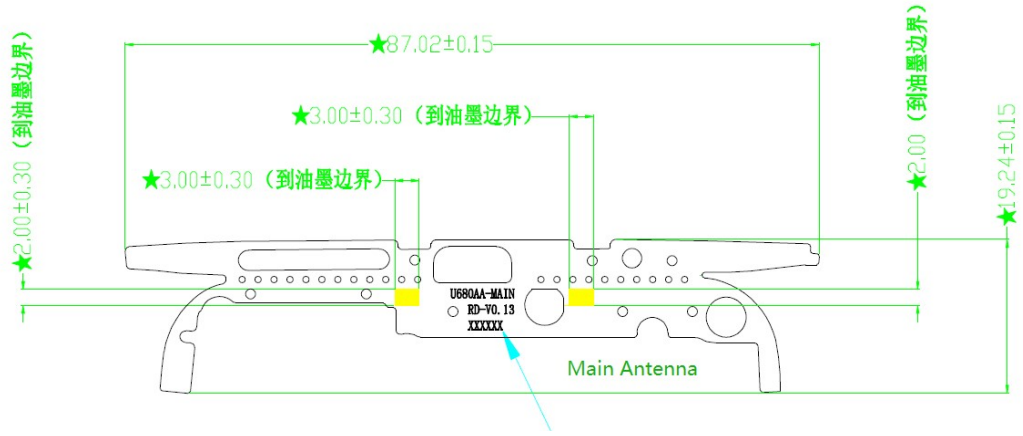
DASY4/6 SAR



2. Antenna Location



3. Antenna Pattern



4. Antenna Passive Efficiency

a. Main Antenna

	Average Gain		Maximum Gain	
	TX	RX	TX	RX
WCDMA B1	-6.2dBi	-5.7dBi	-1.5dBi	-1.0dBi
WCDMA B2	-6.0dBi	-6.2dBi	-1.2dBi	-1.5dBi
WCDMA B4	-6.5dBi	-6.2dBi	-3.4dBi	-1.4dBi
WCDMA B5	-7.7dBi	-7.8dBi	-3.9dBi	-4.2dBi
WCDMA B8	-8.3dBi	-9.3dBi	-4.4dBi	-5.1dBi
LTE B2	-6.0dBi	-6.2dBi	-1.2dBi	-1.5dBi
LTE B3	-6.5dBi	-5.8dBi	-3.7dBi	-1.2dBi
LTE B4	-6.5dBi	-6.2dBi	-3.4dBi	-1.4dBi
LTE B5	-7.7dBi	-7.8dBi	-3.9dBi	-4.2dBi
LTE B7	-10.3dBi	-10.3dBi	-7.7dBi	-7.7dBi
LTE B12	-5.5dBi	-6.8dBi	-2.6dBi	-3.8dBi
LTE B14	-6.7dBi	-6.5dBi	-3.1dBi	-3.0dBi
LTE B20	-7.7dBi	-7.9dBi	-3.9dBi	-4.1dBi
LTE B29	/	-5.7dBi	/	-3.0dBi
LTE B66	-6.5dBi	-6.2dBi	-3.4dBi	-1.4dBi
LTE B30	-6.9dBi	-6.9dBi	-3.2dBi	-3.2dBi

b. Div Antenna

	Average Gain		Maximum Gain	
	TX	RX	TX	RX
WCDMA B1	/	-6.6dBi	/	-1.0dBi
WCDMA B2	/	-6.2dBi	/	-3.3dBi
WCDMA B4	/	-6.6dBi	/	-1.0dBi
WCDMA B5	/	-7.7dBi	/	-4.6dBi
WCDMA B8	/	-13.7dBi	/	-9.6dBi
LTE B2	/	-6.2dBi	/	-3.3dBi
LTE B3	/	-6.2dBi	/	-4.3dBi
LTE B4	/	-6.6dBi	/	-1.0dBi
LTE B5	/	-7.7dBi	/	-4.6dBi
LTE B7	/	-10.3dBi	/	-5.2dBi
LTE B12	/	-10.0dBi	/	-7.5dBi
LTE B14	/	-10.2dBi	/	-7.2dBi
LTE B20	/	-9.0dBi	/	-5.7dBi
LTE B29	/	-11.5dBi	/	-9.0dBi
LTE B66	/	-6.6dBi	/	-1.0dBi

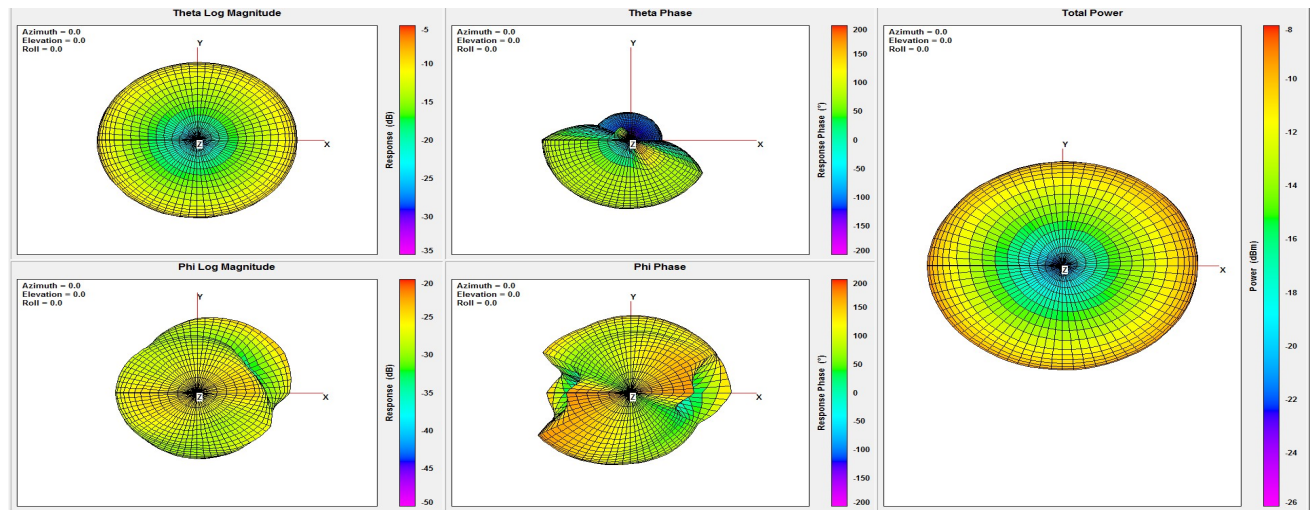
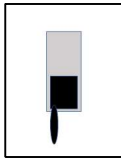
LTE B30	/	-5.9dBi	/	-0.7dBi
---------	---	---------	---	---------

c. GPS/BT/WiFi Antenna

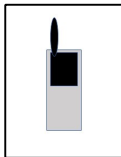
	Average Gain		Maximum Gain	
	TX	RX	TX	RX
GPS	/	-5.5dB	/	-0.6dBi
WIFI 2.4G	-6.1dBi	-6.1dBi	-0.6dBi	-0.6dBi
WIFI 5G	-7.0dBi	-7.0dBi	-2.1dBi	-2.1dBi
BT	-6.1dBi	-6.1dBi	-0.6dBi	-0.6dBi

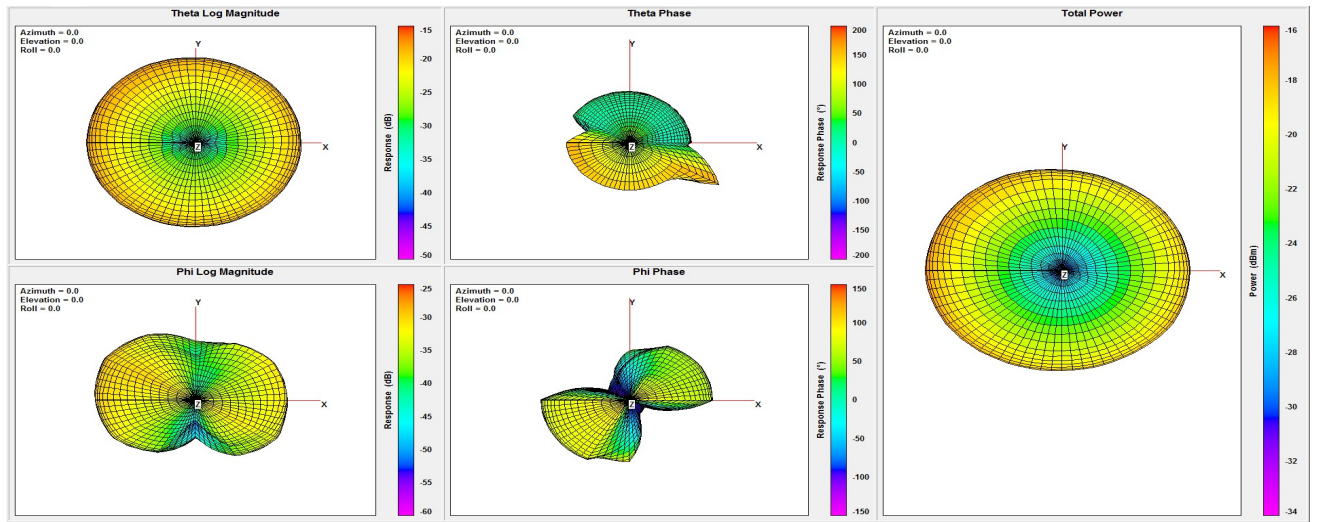
5. Simple Antenna Pattern Plot

a. Main Antenna

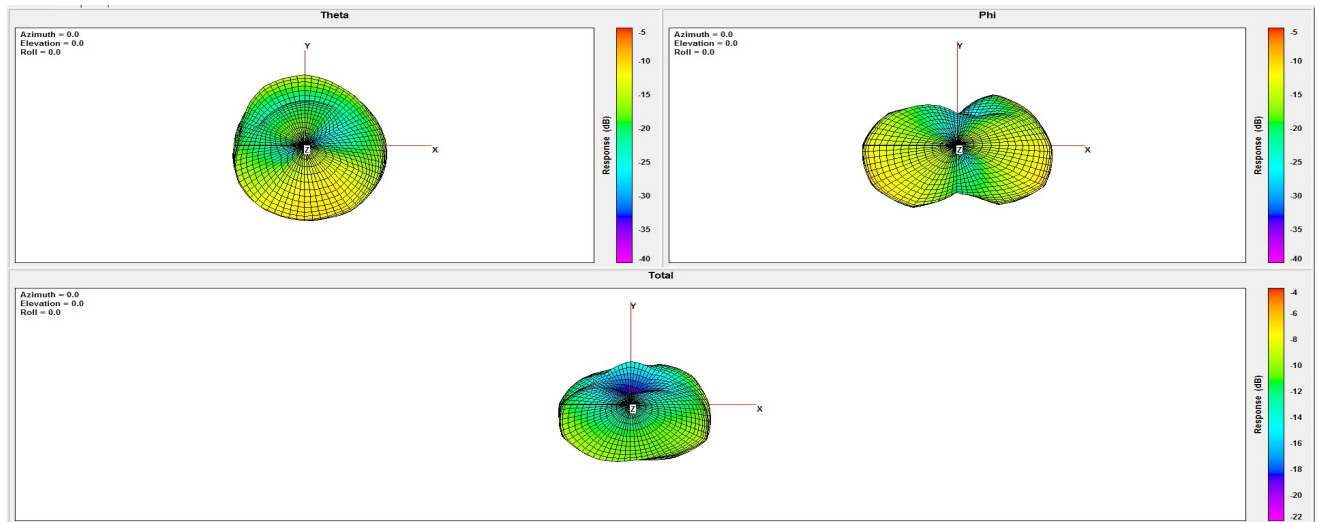
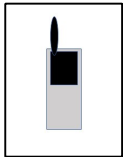


c. Div Antenna





d. GPS/BT/WiFi Antenna



6. Model number of the antenna

a. Main Antenna

U680AA-MAIN RD-Vx.xx

b. Div Antenna

U680AA-DIV RD-Vx.xx

c. GPS/BT/WiFi Antenna

U680AA-3IN1 RD-Vx.xx

7. Antenna return loss

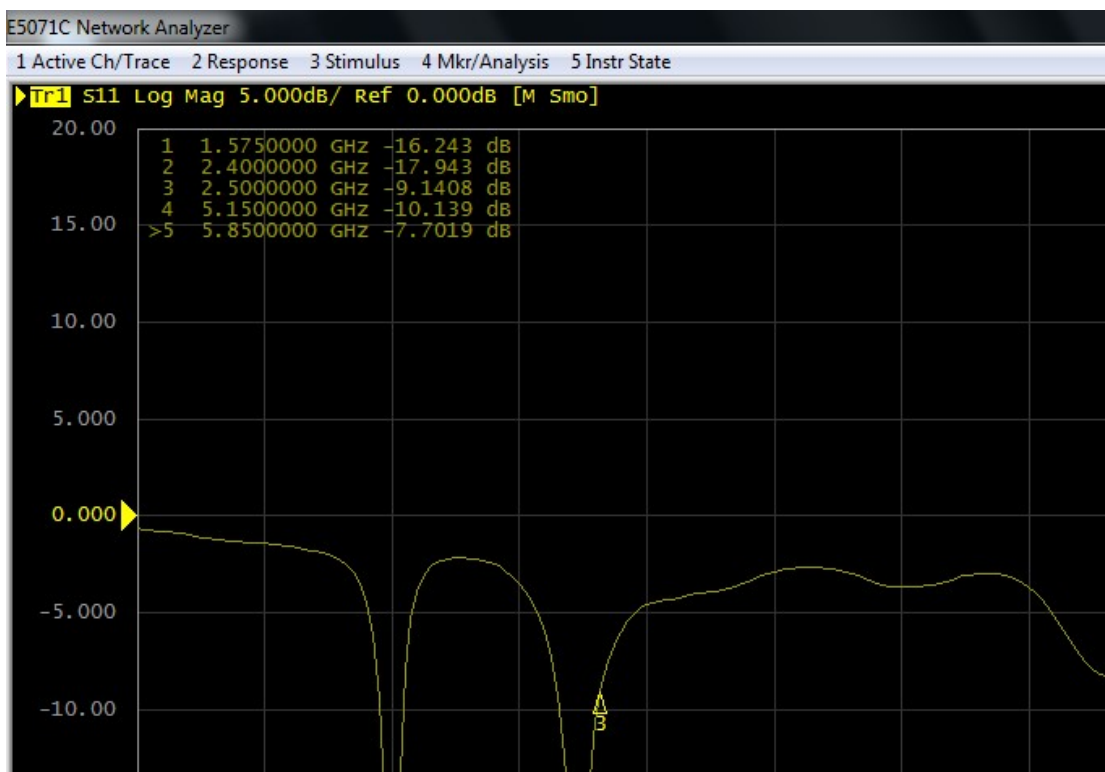
a. Main Antenna



b. Div Antenna



c.GPS/BT/WiFi Antenna



8.Address

Etheta Communication Technology (ShenZhen) Co. Ltd
Add.:No.401Building 6, Zhangfeng Road, Oriental Community, Songgang Street, Bao'an
District, Shenzhen
<http://www.myetheta.com/>

Thank

You !