



Report No.: SEWM2308000314RG12

Rev.: 01

Page: 1 of 1

Appendix A

Detailed System Check Results

1. System Check Results
System Performance Check 835 MHz
System Performance Check 1880 MHz
System Performance Check 2450 MHz
System Performance Check 3500 MHz

Test Laboratory: SGS-SAR Lab

HAC-E-Dipole CD835V3

DUT: CD835V3; Type: CD835V3; Serial: 1030

Communication System: UID 0, CW; Frequency: 835 MHz;Duty Cycle: 1:1

Medium: Air;Medium parameters used: $\sigma = 0$ S/m, $\epsilon_r = 1$; $\rho = 0$ kg/m³

Phantom section: RF Section

DASY 5 Configuration:

- Probe: EF3DV3 - SN4051; ConvF(1, 1, 1); Calibrated: 2023-06-02
- Sensor-Surface: (Fix Surface)
- Electronics: DAE4 Sn1324; Calibrated: 2022-10-17
- Phantom: HAC Test Arch with AMCC; Type: SD HAC P01 BA; Serial:
- DASY52 52.10.4(1527); SEMCAD X 14.6.14(7483)

Dipole E-Field measurement (E-field scan for ANSI C63.19-2007 & -2011 compliance)/E Scan - measurement distance from the probe sensor center to CD835 = 10mm & 15mm/Hearing Aid Compatibility Test at 15mm distance (41x361x1):

Interpolated grid: dx=0.5000 mm, dy=0.5000 mm

Device Reference Point: 0, 0, -6.3 mm

Reference Value = 94.47 V/m; Power Drift = 0.02 dB

PMR not calibrated. PMF = 1.000 is applied.

E-field emissions = 100.8 V/m

Near-field category: M4 (AWF 0 dB)

PMF scaled E-field

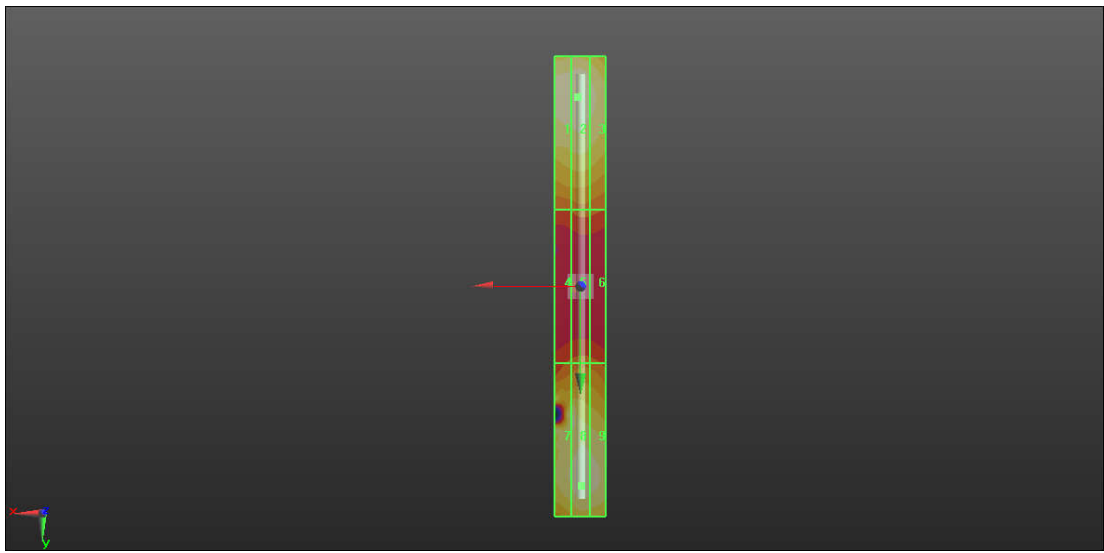
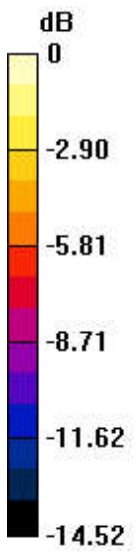
Grid 1 M4 98.39 V/m	Grid 2 M4 100.8 V/m	Grid 3 M4 95.04 V/m
Grid 4 M4 53.69 V/m	Grid 5 M4 55.43 V/m	Grid 6 M4 54.60 V/m
Grid 7 M4 93.29 V/m	Grid 8 M4 96.32 V/m	Grid 9 M4 94.90 V/m

Cursor:

Total = 100.8 V/m

E Category: M4

Location: 1, -74, 9.7 mm



0 dB = 100.8 V/m = 40.07 dBV/m

Test Laboratory: SGS-SAR Lab

HAC-E-Dipole CD1880V3

DUT: CD1880V3; Type: CD1880V3; Serial: 1023

Communication System: UID 0, CW; Frequency: 1880 MHz; Duty Cycle: 1:1

Medium: Air; Medium parameters used: $\sigma = 0$ S/m, $\epsilon_r = 1$; $\rho = 0$ kg/m³

Phantom section: RF Section

DASY 5 Configuration:

- Probe: EF3DV3 - SN4051; ConvF(1, 1, 1); Calibrated: 2023-06-02
- Sensor-Surface: (Fix Surface)
- Electronics: DAE4 Sn1324; Calibrated: 2022-10-17
- Phantom: HAC Test Arch with AMCC; Type: SD HAC P01 BA; Serial:
- DASY52 52.10.4(1527); SEMCAD X 14.6.14(7483)

Dipole E-Field measurement (E-field scan for ANSI C63.19-2007 & -2011 compliance)/E Scan - measurement distance from the probe sensor center to CD1880 =15mm/Hearing Aid Compatibility Test at 15mm distance (41x181x1):

Interpolated grid: dx=0.5000 mm, dy=0.5000 mm

Device Reference Point: 0, 0, -6.3 mm

Reference Value = 153.3 V/m; Power Drift = -0.01 dB

PMR not calibrated. PMF = 1.000 is applied.

E-field emissions = 84.71 V/m

Near-field category: M3 (AWF 0 dB)

PMF scaled E-field

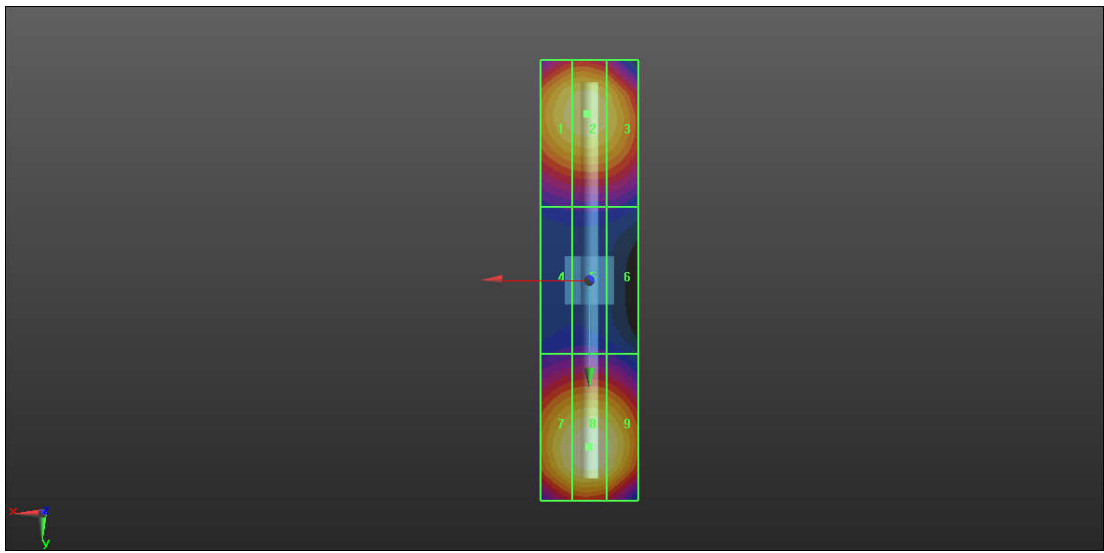
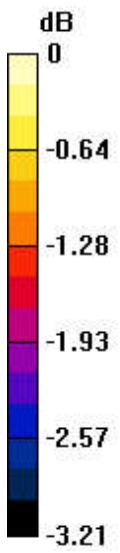
Grid 1 M3 81.86 V/m	Grid 2 M3 82.71 V/m	Grid 3 M3 81.15 V/m
Grid 4 M3 65.57 V/m	Grid 5 M3 65.80 V/m	Grid 6 M3 65.25 V/m
Grid 7 M3 83.23 V/m	Grid 8 M3 84.71 V/m	Grid 9 M3 83.52 V/m

Cursor:

Total = 84.71 V/m

E Category: M3

Location: 0, 34, 9.7 mm



0 dB = 84.71 V/m = 38.56 dBV/m

Test Laboratory: SGS-SAR Lab

HAC-E-Dipole CD2450V3

DUT: CD2450V3; Type: CD2450V3; Serial: 1025

Communication System: UID 0, CW; Frequency: 2450 MHz; Duty Cycle: 1:1

Medium: Air; Medium parameters used: $\sigma = 0$ S/m, $\epsilon_r = 1$; $\rho = 0$ kg/m³
Phantom section: RF Section

DASY 5 Configuration:

- Probe: EF3DV3 - SN4051; ConvF(1, 1, 1); Calibrated: 2023-06-02
- Sensor-Surface: (Fix Surface)
- Electronics: DAE4 Sn1324; Calibrated: 2022-10-17
- Phantom: HAC Test Arch with AMCC; Type: SD HAC P01 BA;
- DASY52 52.10.4(1527); SEMCAD X 14.6.14(7483)

Dipole E-Field measurement (E-field scan for ANSI C63.19-2007 & -2011 compliance)/E Scan - measurement distance from the probe sensor center to CD2450 = 15mm/Hearing Aid Compatibility Test at 15mm distance (41x181x1):

Interpolated grid: dx=0.5000 mm, dy=0.5000 mm

Device Reference Point: 0, 0, -6.3 mm

Reference Value = 82.10 V/m; Power Drift = -0.05 dB

PMR not calibrated. PMF = 1.000 is applied.

E-field emissions = 86.62 V/m

Near-field category: **M3 (AWF 0 dB)**

PMF scaled E-field

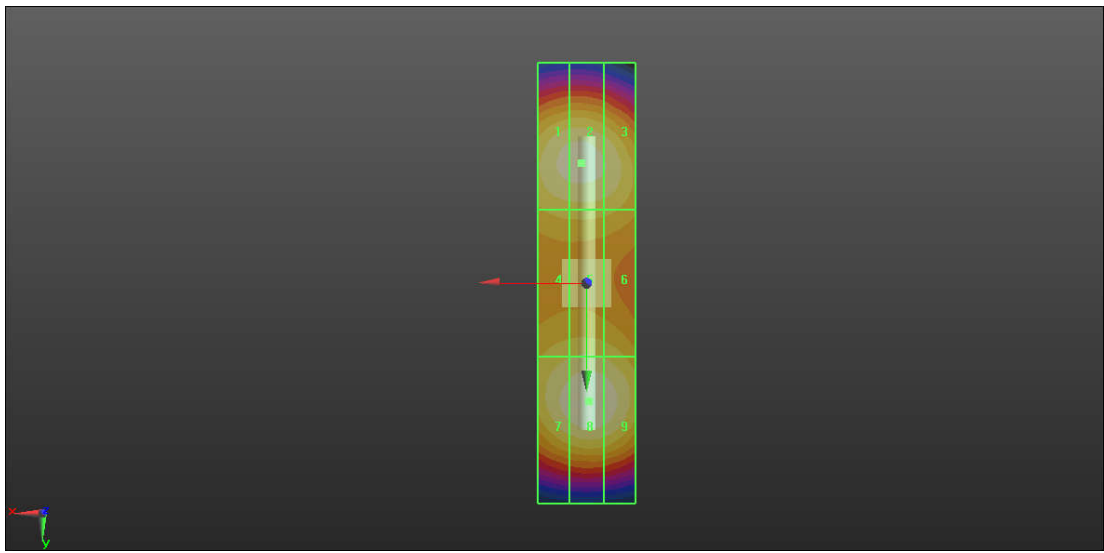
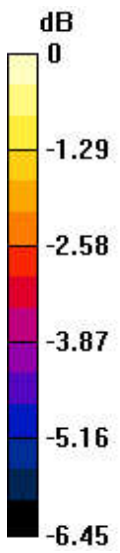
Grid 1 M3 84.22 V/m	Grid 2 M3 84.76 V/m	Grid 3 M3 82.90 V/m
Grid 4 M3 78.23 V/m	Grid 5 M3 79.12 V/m	Grid 6 M3 78.29 V/m
Grid 7 M3 84.55 V/m	Grid 8 M3 86.62 V/m	Grid 9 M3 85.54 V/m

Cursor:

Total = 86.62 V/m

E Category: M3

Location: -0.5, 24, 8.7 mm



0 dB = 86.62 V/m = 38.75 dBV/m

Test Laboratory: SGS-SAR Lab

HAC-E-Dipole CD3500V3

DUT: CD3500V3; Type: CD3500V3; Serial: **Not Specified**

Communication System: UID 0, CW (0); Frequency: 3500 MHz; Duty Cycle: 1:1

Medium: Air; Medium parameters used: $\sigma = 0$ S/m, $\epsilon_r = 1$; $\rho = 0$ kg/m³
Phantom section: TCoil Section

DASY 5 Configuration:

- Probe: EF3DV3 - SN4051; ConvF(1, 1, 1); Calibrated: 2023-06-02
- Sensor-Surface: (Fix Surface)
- Electronics: DAE4 Sn1324; Calibrated: 2022-10-17
- Phantom: HAC Test Arch with AMCC; Type: SD HAC P01 BA;
- DASY52 52.10.4(1527); SEMCAD X 14.6.14(7483)

Dipole E-Field measurement (E-field scan for ANSI C63.19-2007 & -2011 compliance)/E Scan - measurement distance from the probe sensor center to CD3500 = 15mm/Hearing Aid Compatibility Test at 15mm distance (41x121x1):

Interpolated grid: dx=0.5000 mm, dy=0.5000 mm

Device Reference Point: 0, 0, -6.3 mm

Reference Value = 43.68 V/m; Power Drift = -0.04 dB

PMR not calibrated. PMF = 1.000 is applied.

E-field emissions = 87.76 V/m

Near-field category: **M3 (AWF 0 dB)**

PMF scaled E-field

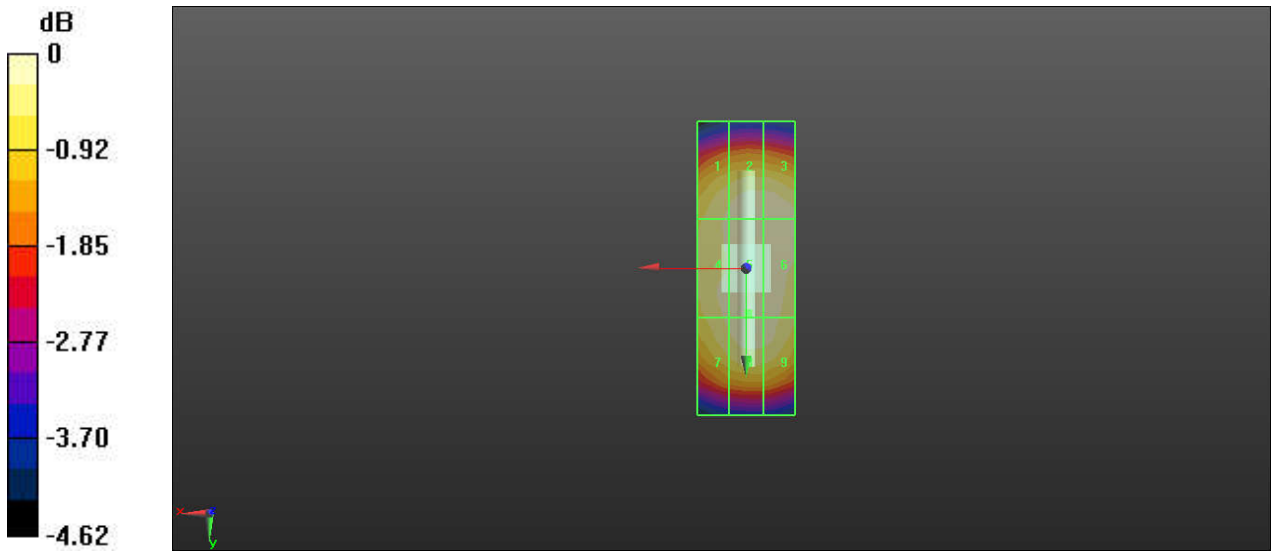
Grid 1 M3 85.35 V/m	Grid 2 M3 87.22 V/m	Grid 3 M3 87.15 V/m
Grid 4 M3 86.19 V/m	Grid 5 M3 87.76 V/m	Grid 6 M3 87.21 V/m
Grid 7 M3 85.42 V/m	Grid 8 M3 87.67 V/m	Grid 9 M3 86.64 V/m

Cursor:

Total = 87.76 V/m

E Category: M3

Location: -0.5, 9, 9.7 mm



0 dB = 87.76 V/m = 38.87 dBV/m