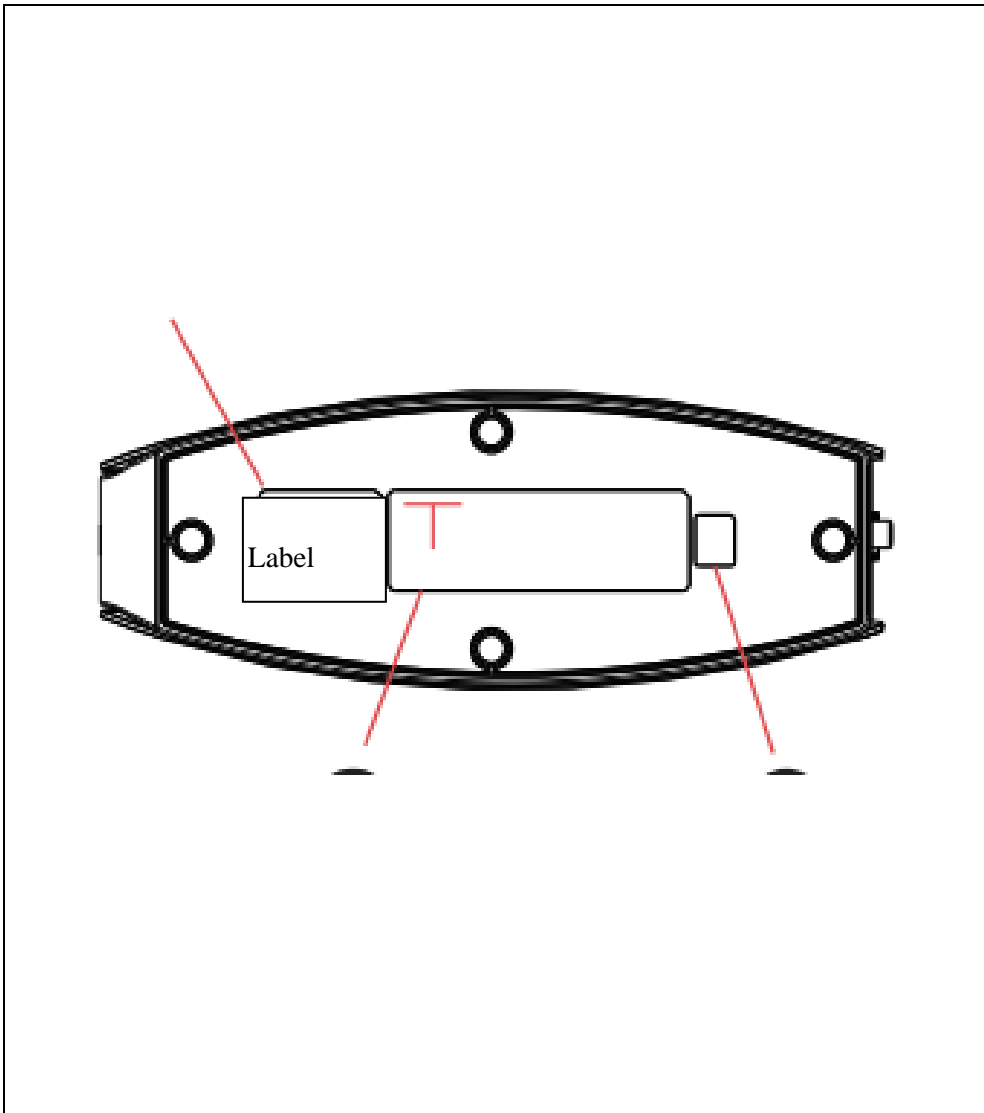


## FCC LABEL LOCATION

The label will be permanently affixed at a conspicuous location on the device.



(Fig. 1) FCC ID: XCNUBC1340



**FCC ID: XCNUBC1340**  
**Model Name: UBC1340**  
**Indoor use only**



**LISTED**  
**I.T.E.**  
**E199598**

This device complies with Part 15 of the FCC rules.  
Operation is subject to the following two conditions:  
(1) this device may not cause harmful interference, and  
(2) this device must accept any interference received,  
including interference that may cause undesired operation.

**INPUT: 12V  3.5A **

(Fig. 1) **FCC ID: XCNUBC1340**