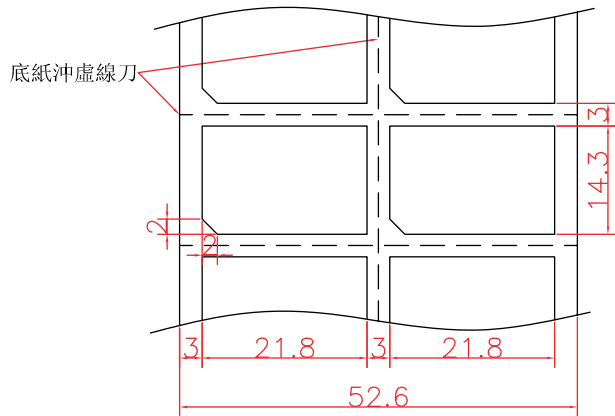
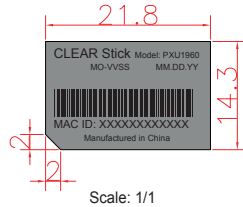


標籤製作黏貼方式/T77W242.01/00/1 of 6

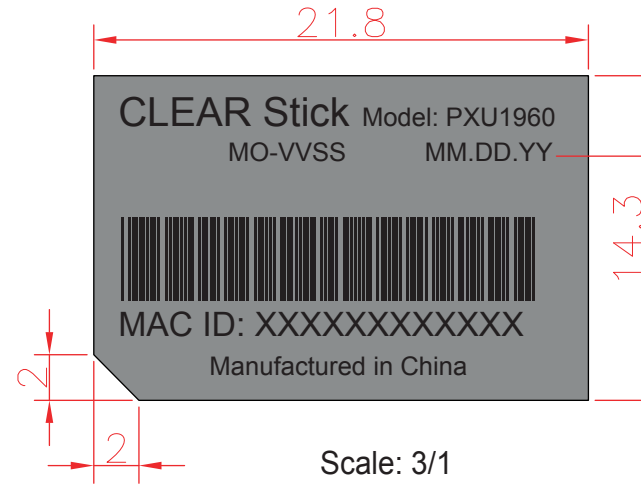
D		C		B		A
REV.	MARK	ECR/ECN NO.	DATE	UPDATE	DESCRIPTION	SIGNATURE
0.0	N/A	N/A	2011.11.02	First release		Longli



Package style



Scale: 1/1



Scale: 3/1
Foxconn printing

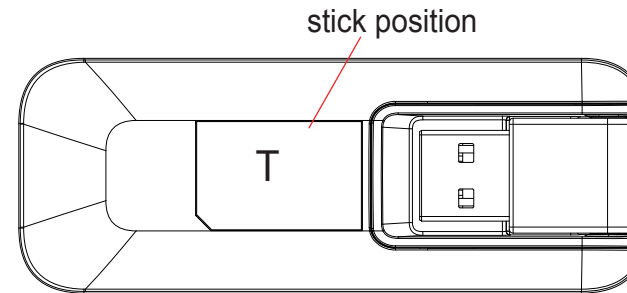
Assembled time(variable)
Format: Month.Day.Year
e.g.: 11.02.11

When label be used in below environmental condition it must be fine
(adhesived on the housing smooth face(material PC+ABS)):

Temperature: -40°C ~ 85°C, Humidity: 5% ~ 95%R.H.

NOTES:

- SURFACE MATERIAL: 75# Mylar+25# PET(matte, printable)
BACKGROUND COLOR: Pantone 8400C
- ADHESIVE NO.: ACRYLIC
- ADHENSIVE THICKNESS:
75#Mylar: 0.024+/-0.003mm
25#PET: 0.018+/-0.003mm
- PRINTING COLOR: Black
- Liner: Glassine release paper
- Package style: Reel
- The part must be RoHS compliant.
- MAC: PM provide
code 39, 1MAC/product
- MO-VVSS:
MO:Foxconn MO#
VV:Pls refer to Foxconn Label Rev.
SS:Pls refer to Doc Rev.
- There is no Hon Hai label in this product.
only show MO-VVSS in PTT label



MATERIAL (SPEC.)										SCALE	FOXCONN HON HAI PRECISION IND. CO., LTD CNSBG					
										1:1						
FINISH										SHEET	PART NAME PTT LABEL					
										1/1						
Select										UNIT	MODEL T77W242.01		PART NO. 500.00XXX.005		DESIGNED Longli Sun	
Dim.	Tol.	A	B	C	EPS	EPE	BAG	CTN	Label	MM						
0~6		0.05	0.05	0.10					0.20		CUSTOMER MODEL T77W242.01		CUSTOMER PART NO.		APPROVED Yanli Yu	
6~30		0.10	0.15	0.20	0.50	0.50	3.00		0.20							
30~120		0.15	0.20	0.30	0.50	0.50	5.00	2.00	0.25							
120~300		0.20	0.30	0.40	1.00	1.00	10.00	3.00	0.30							
300~450		0.25	0.40	0.50	2.00	2.00	15.00	5.00	0.50							
450~600		0.30	0.50	0.60	3.00	3.00	20.00	5.00	0.80							
DRAFT TOLERANCE										± 0.2*	CRITICAL DIM. MARK		*			