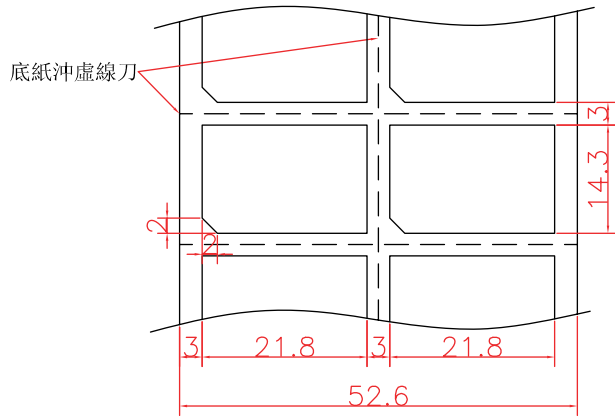
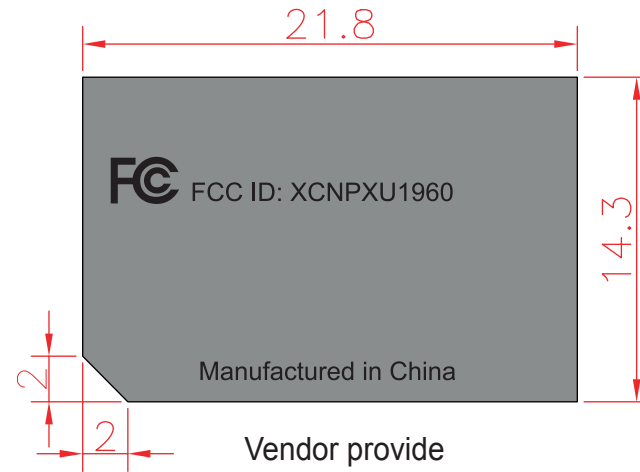
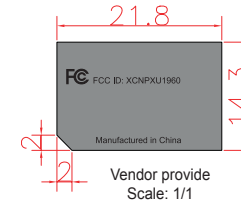
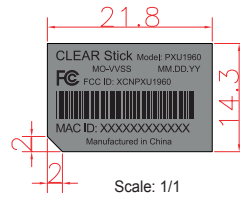


D		C		B		A
REV.	MARK	ECR/ECN NO.	DATE	UPDATE DESCRIPTION	SIGNATURE	
0.0	N/A	N/A	2011.11.02	First release	Longli	
1.0	N/A		2011.12.06	Add FCC ID	Longli	



Package style



When label be used in below environmental condition it must be fine
(adhesived on the housing smooth face(material PC+ABS)):
Temperature: -40°C ~ 85°C, Humidity: 5% ~ 95%R.H.

NOTES:

1. SURFACE MATERIAL: 75# Mylar+25# PET(matte, printable)
BACKGROUND COLOR: Pantone 8400C
2. ADHESIVE NO.: ACRYLIC
3. ADHENSIVE THICKNESS:
75#Mylar: 0.024+/-0.003mm
25#PET: 0.018+/-0.003mm
4. PRINTING COLOR: Black
- 5.Liner: Glassine release paper
6. Package style: Reel
- 7.The part must be RoHS compliant.

MATERIAL (SPEC.)										SCALE	 HON HAI PRECISION IND. CO., LTD CNSBG		
FINISH										1:1			
UNIT										SHEET	PART NAME		
1/1										1/1			
Select										MM	PTT LABEL		
Dim.	Tol.	A	B	C	EPS	EPE	BAG	CTN	Label	USR			
0~6	0.05	0.05	0.10						0.20		MODEL	PART NO.	DESIGNED
6~30	0.10	0.15	0.20	0.50	0.50	3.00			0.20		T77W242.01	500.00XXX.005	Longli Sun
30~120	0.15	0.20	0.30	0.50	0.50	5.00	2.00		0.25				
120~300	0.20	0.30	0.40	1.00	1.00	10.00	3.00		0.30				
300~450	0.25	0.40	0.50	2.00	2.00	15.00	5.00		0.50				
450~600	0.30	0.50	0.60	3.00	3.00	20.00	5.00		0.80				
DRAFT TOLERANCE				± 0.2*		CRITICAL DIM. MARK		*					