

Avalue Intelligent Display & Systems

AID-173S

All-In-One Bedside Terminals

Quick Reference Guide

1st Ed- 15 October 2010

Copyright © 2010 Avalue Technology Inc., All Rights Reserved

:

By Jason Lin



Federal Communication Commission Interference Statement

THIS DEVICE COMPLIES WITH PART 15 OF THE FCC RULES. OPERATION IS SUBJECT TO THE FOLLOWING TWO CONDITIONS: (1) THIS DEVICE MAY NOT CAUSE HARMFUL INTERFERENCE AND (2) THIS DEVICE MUST ACCEPT ANY INTERFERENCE RECEIVED, INCLUDING INTERFERENCE THAT MAY CAUSE UNDESIRE OPERATION.

Note: This equipment has been tested and found to comply with the limits for a Class B digital device, pursuant to Part 15 of FCC Rules. These limits are designed to provide reasonable protection against harmful interference in a residential installation. This equipment generates, uses and can radiate radio frequency energy and, if not installed and used in accordance with the instruction, may cause harmful interference to radio communications. However, there is no guarantee that interference will not occur in a particular installation. If this equipment does cause harmful interference to radio or television reception, which can be determined by turning the equipment off and on, the user is encouraged to try to correct the interference by one or more of the following measures:

- **Reorient or relocate the receiving antenna.**
- **Increase the separation between the equipment and receiver.**
- **Connect the equipment into an outlet on a circuit different from that to which the receiver is connected.**
- **Consult the dealer or an experienced radio/TV technician for help.**

Notice:

- (1) **A Unshielded-type power cord is required in order to meet FCC emission limits and also to prevent interference to the nearby radio and television reception. It is essential that only the supplied power cord be used.**
- (2) **Use only shielded cables to connect I/O devices to this equipment.**
- (3) **Changes or modifications not expressly approved by the party responsible for compliance could void the user's authority to operate the equipment.**

FCC RF Radiation Exposure Statement

This equipment complies with FCC radiation exposure limits set forth for an uncontrolled environment. This equipment should be installed and operated with minimum distance 20cm between the radiator & your body. For product available in the USA/Canada market, only channel 1~11 can be operated. Selection of other channels is not possible. The antenna(s) used for this transmitter must not be co-located or operating in conjunction with any other antenna or transmitter. Shielded interface cables must be used in order to comply with emission limits.

CONTENT

1. AID-173S Bedside Terminals Features	5
1.1 Front Look	6
1.2 Rear & Bottom Look	7
1.3 Handset	8
2. Setting Up AID-173S Bedside Terminals	9
2.1 Mounting	10
2.2 Cabling	11
2.3 System Activation & Registration	12
2.4 Connecting to the Internet	13
3. Using AID-173S Bedside Terminals	14
3.1. Turn ON/OFF the System	15
3.2 Using LCD Display and Touch Screen	16
3.3 Using Earphone and Microphone	17
3.4 Using the Smart Card Reader	18
3.5 Using Magnetic Strip Reader	19
3.6 Using RFID Reader/Writer	20
3.7 Using Handset	21
3.8 Using Barcode Scanner	23
4. Upgrading AID-173S Bedside Terminals	24
4.1 Adding/Removing/Replacing Memory	25
4.2 Adding/Removing/Replacing TV Tuner	26
4.3 Removing and Replacing the Wireless Card	27
4.4 Adding 3rd Party Mini-PCIe Cards	28
4.5 Removing and Replacing the Hard Disk Drive	29

1. AID-173S Bedside Terminals Features

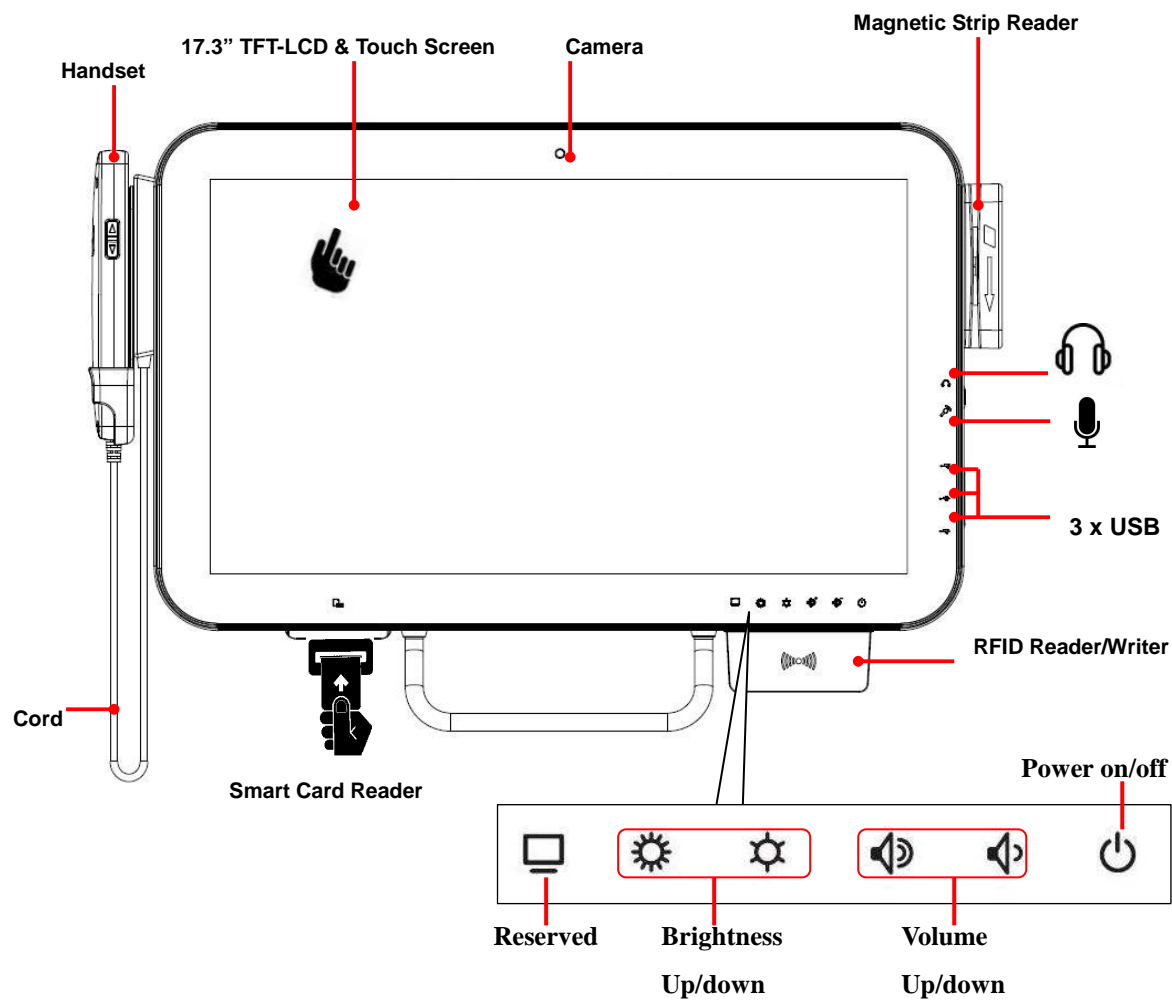
In this chapter, you will learn all of the features of AID-173S bedside terminals.

1.1 Front Look

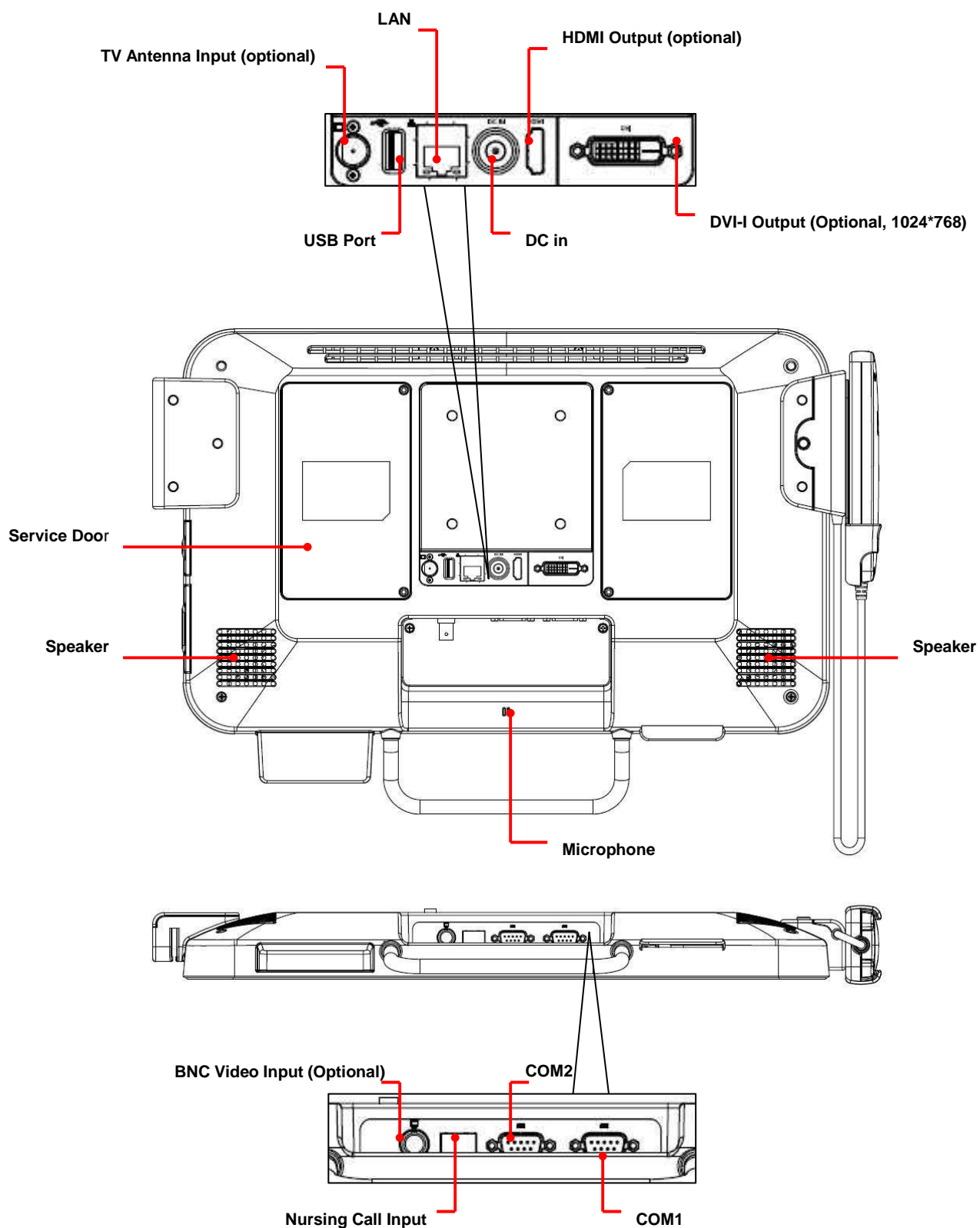
1.2 Rear & Bottom Look

1.3 Handset

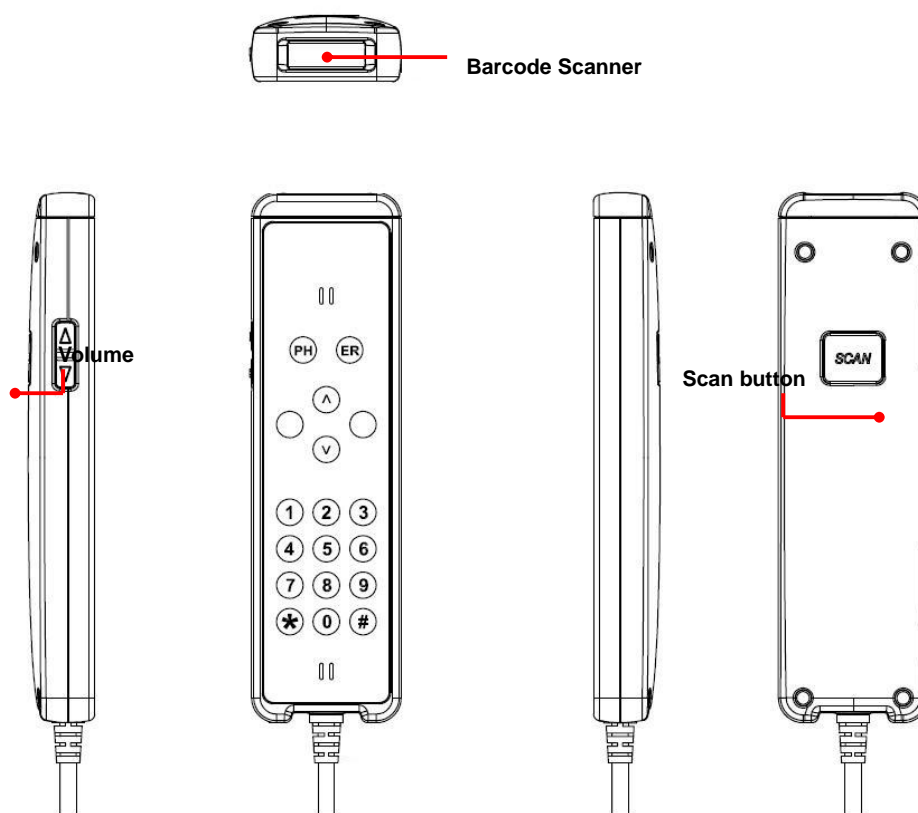
1.1 Front Look



1.2 Rear & Bottom Look



1.3 Handset



Key	Descriptions
	Activate the phone software (i.e. Skype)
	Nurse Call
	Answer
	Hang Up
	Contact List Up
	Contact List Down
	Numeric Keys
	* Key
	# Key



2. Setting Up AID-173S Bedside Terminals

In this chapter, you will learn how to set up AID-173S bedside terminal hardware and cable connection. Finally, with Internet ISP setting information, you will be able to connect AID-173S bedside terminal to the Internet.

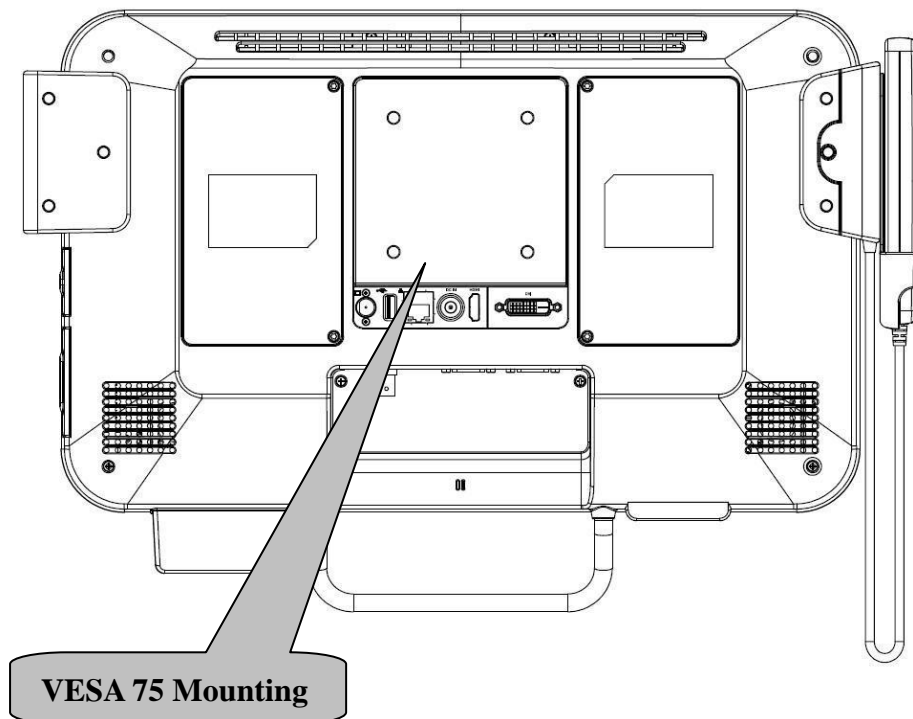
2.1 Mounting

2.2 Cabling

2.3 System Activation & Registration

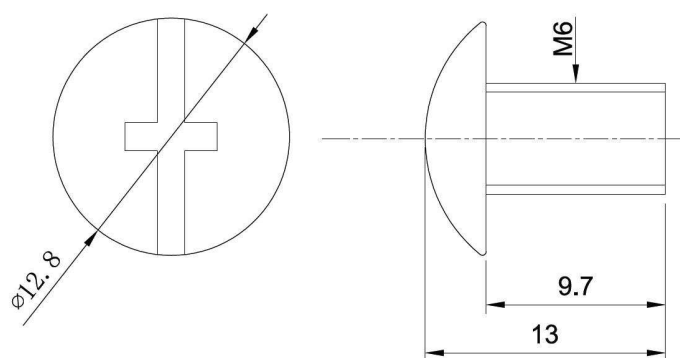
2.4 Connecting to the Internet

2.1 Mounting



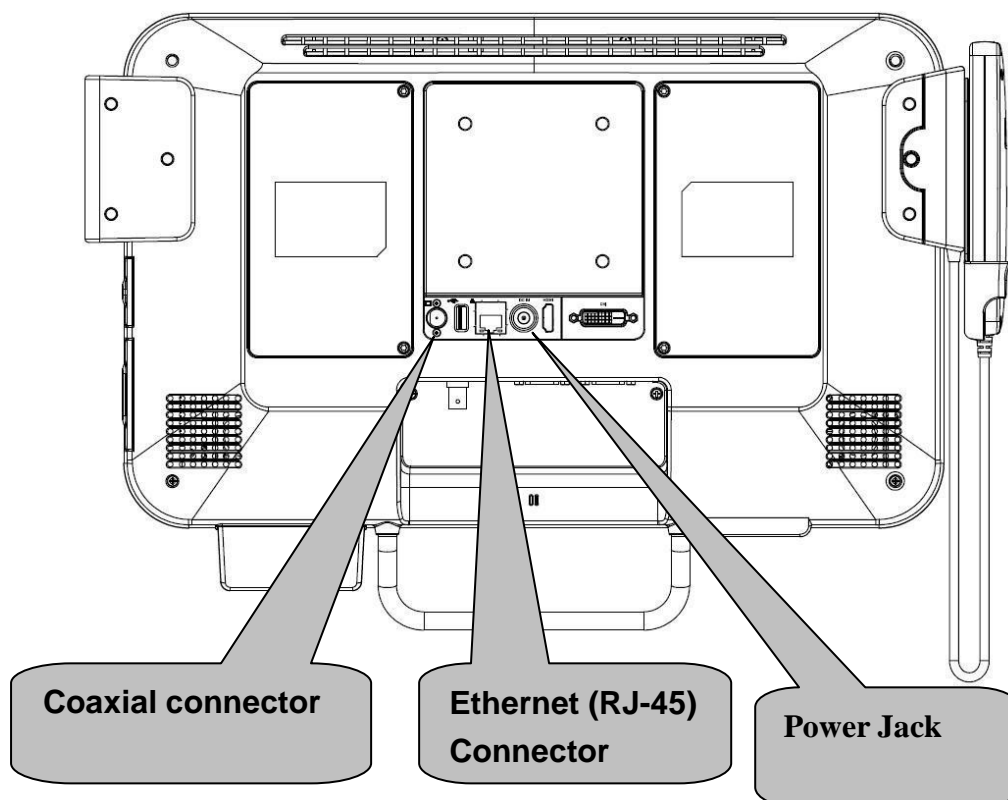
Suggested Mounting Screws

Note: 4 pieces of M6x10 screws




2.2 Cabling

1. Power Cable
2. Ethernet (RJ-45) Cable (Optional)
3. TV (Coaxial) Cable (Optional)




Please follow below steps to connect the power cable and the system.

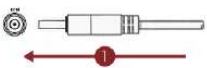


WARNING


RISK OF ELECTRIC SHOCK



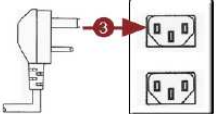
- TO REDUCE THE RISK OF ELECTRIC SHOCK, DO NOT REMOVE FRONT OR BACK COVER.
- READ THE MANUAL AND SAFETY PRECAUTIONS BEFORE PERFORMING INSTALLATION.
- MAKE SURE THE POWER CORD IS PLUGGED INTO THE SYSTEM BEFORE CONNECTING THE POWER CORD TO AN AC POWER OUTLET.
- DISCOUNT POWER FROM THE SYSTEM BY UNPLUGGING THE POWER CORD FROM AC OUTLET.
- THE AC POWER OUTLET SHOULD BE COMPATIBLE WITH THE 3-PIN POWER CORD CONNECTOR.



1. Plug the power cord into your system



2. Connect AC power cord to the power adapter.



3. Plug the power cord into an easily accessible AC power outlet.

2.3 System Activation & Registration

1. When you first receive the system, a system activation and software registration might be performed before the use of this system.
2. Please consult your local service providers for more details.

2.4 Connecting to the Internet

1. Use built-in wireless LAN to connect to the Internet.
2. Use Ethernet (RJ-45) to connect to the Internet.
3. Consult your Internet Service Provider (ISP) for software settings.

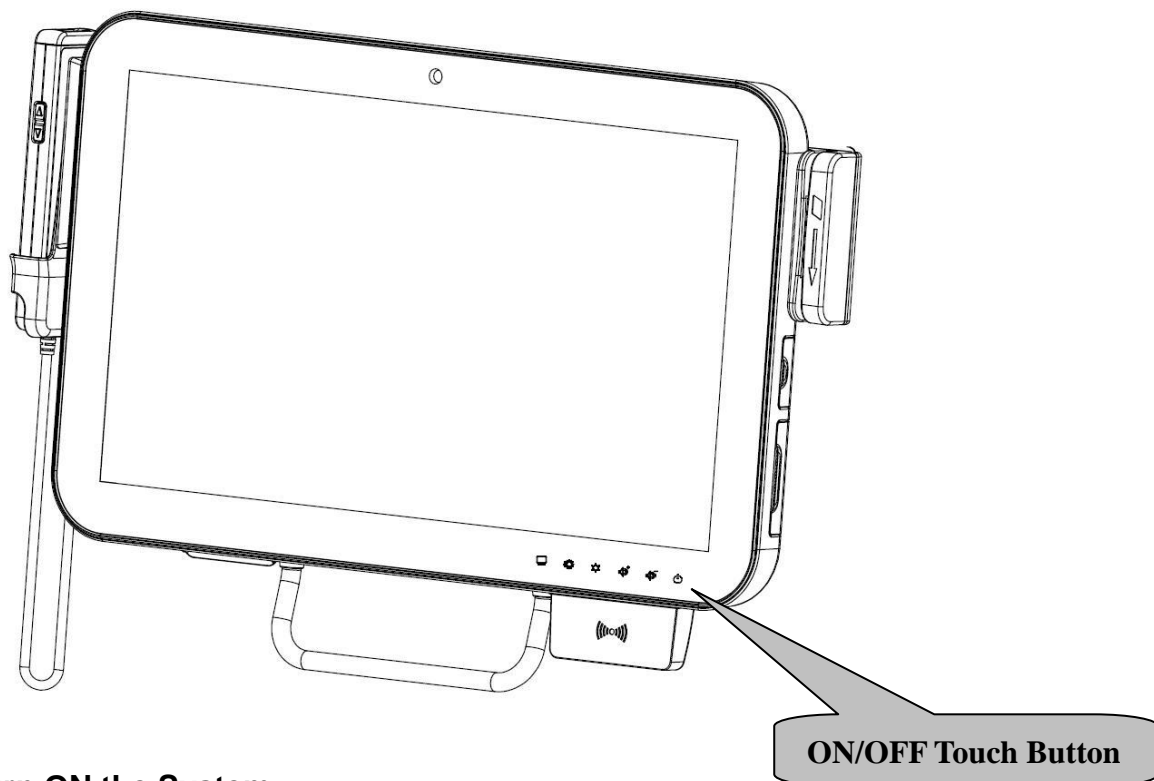
Note: ISP, IP, (wireless) router, Access Point, DSL modem, Access ID & Password, and so on, are needed for Internet access.

3. Using AID-173S Bedside Terminals

In this chapter, you will learn how to use all the features of AID-173S bedside terminal.

- 3.1 Turn ON/OFF the System
- 3.2 Using LCD Display and Touch Screen
- 3.3 Using Ear Phone and Microphone
- 3.4 Using Smart Card Reader
- 3.5 Using Magnetic Strip Reader
- 3.6 Using RFID Reader/Writer
- 3.7 Using Handset
- 3.8 Using Barcode Scanner

3.1. Turn ON/OFF the System



3.1.1 Turn ON the System

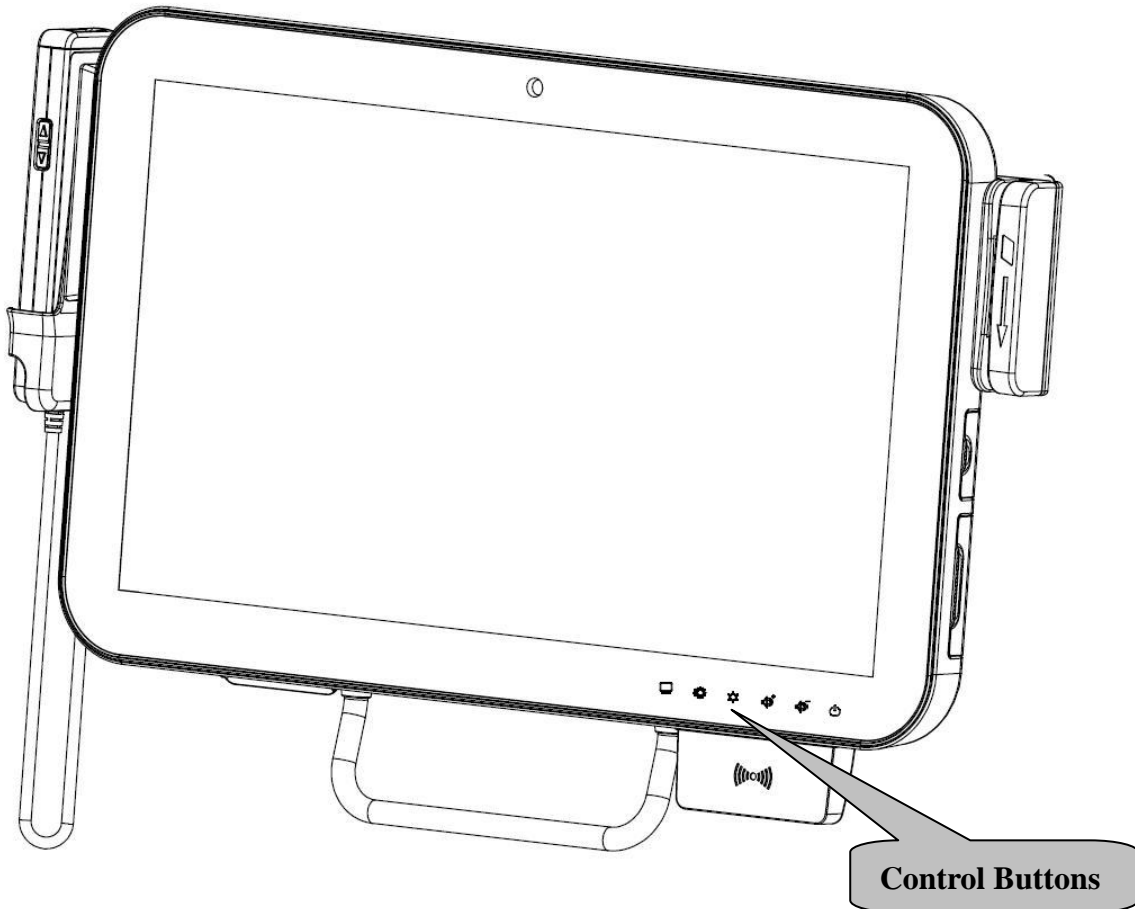
1. Check if the led on the Power ON/OFF icon is red.
2. Move your finger on the top of the Power ON/OFF icon.
3. The led on the Power ON/OFF icon turns green.
4. Now the system is turned ON.

3.1.2 Turn OFF the System

1. Move your finger on the top of the Power ON/OFF icon for about 4 seconds.
2. The led on the Power ON/OFF icon turns red.
3. The system is turned OFF.

Note: We recommend use the operating system shut down procedures to turn OFF the system.

3.2 Using LCD Display and Touch Screen



3.2.1 Adjust System Volume

1. Move your finger on the top of the Volume Up or Volume Down icon.
2. The volume will be adjusted accordingly.

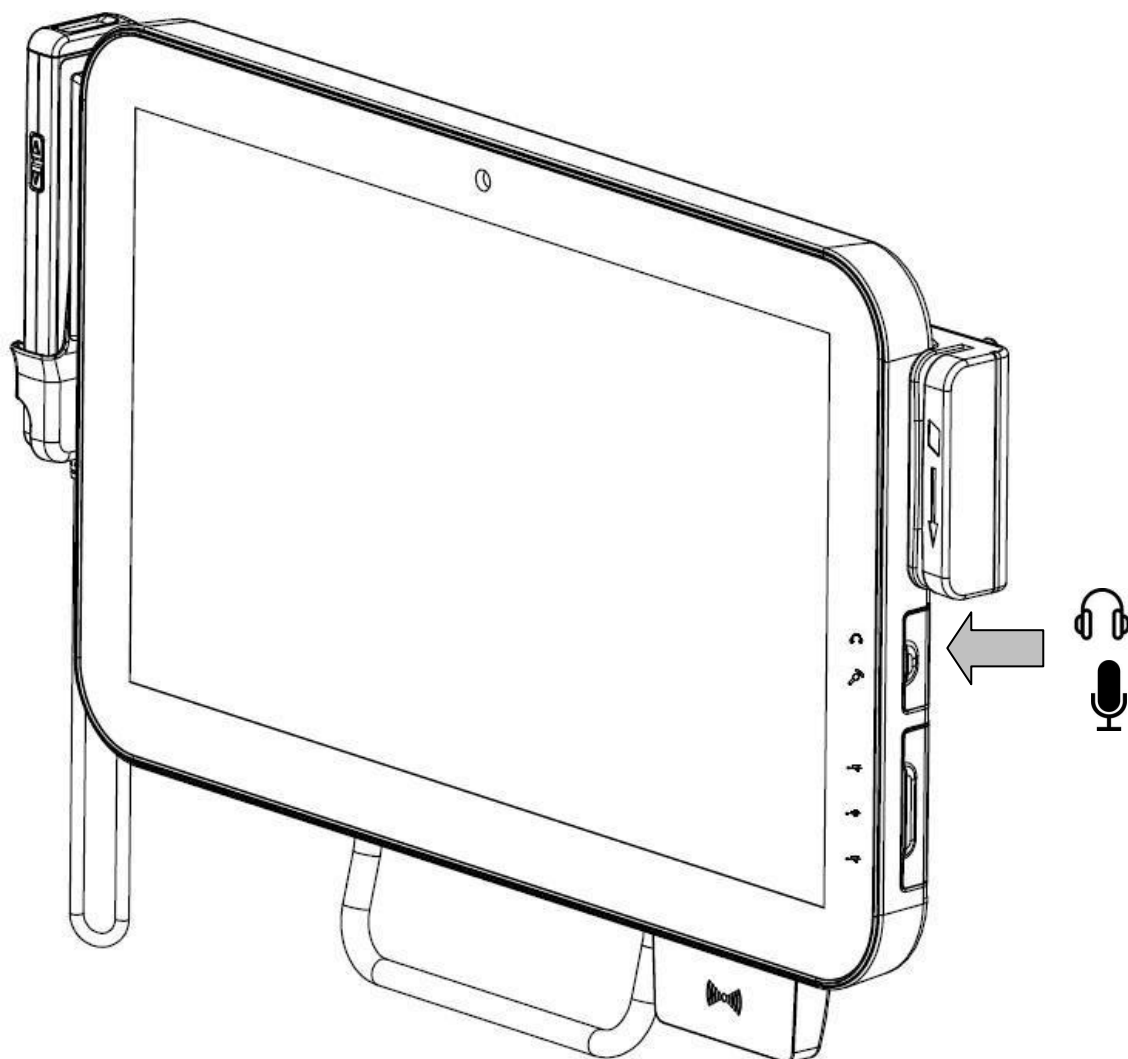
3.2.2 Adjust LCD Display Brightness

1. Move your finger on the top of the Brightness Up or Brightness Down icon.
2. The brightness of the LCD display will be adjusted accordingly.

3.2.3 Using Touch Screen

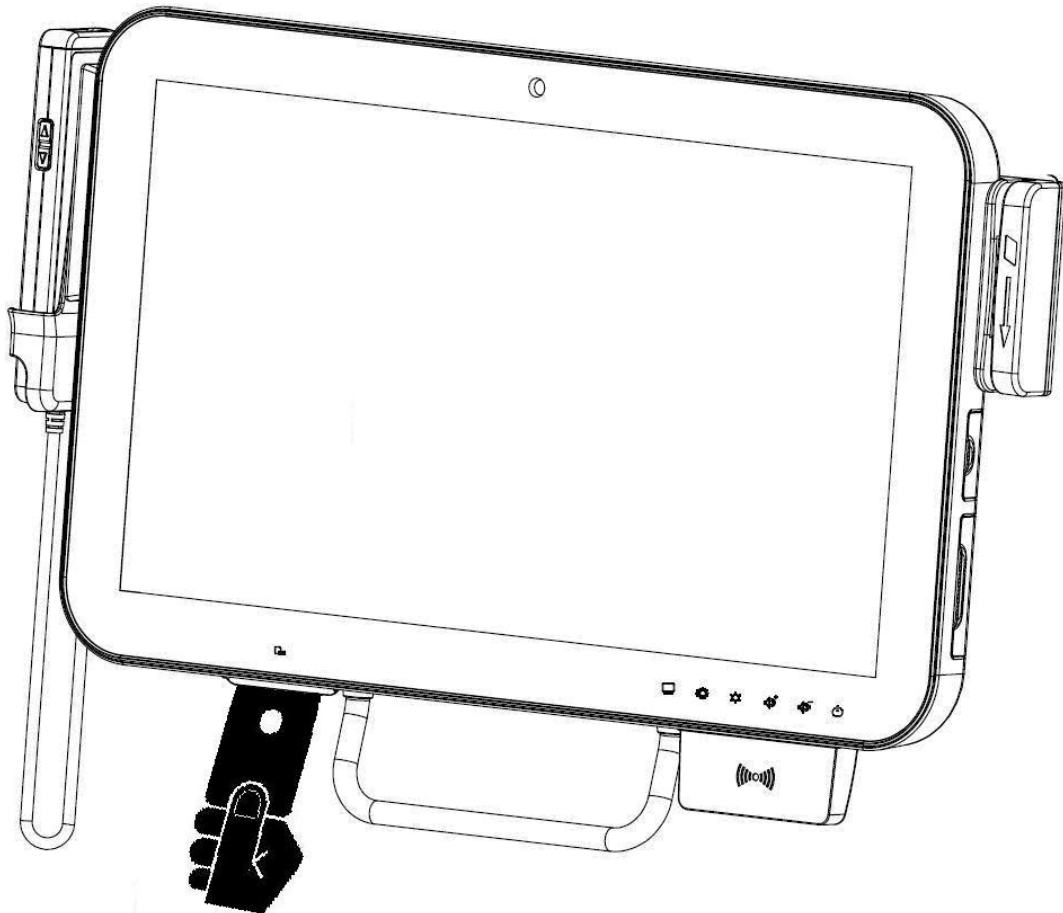
1. To select the item on the touch screen, press the item once.
2. To select and open the item, press the item twice quickly.
3. To open the secondary menu, press and hold until the menu appears and then moving your finger to select the menu item. When you determine the menu item, release your finger and the item is selected.

3.3 Using Earphone and Microphone



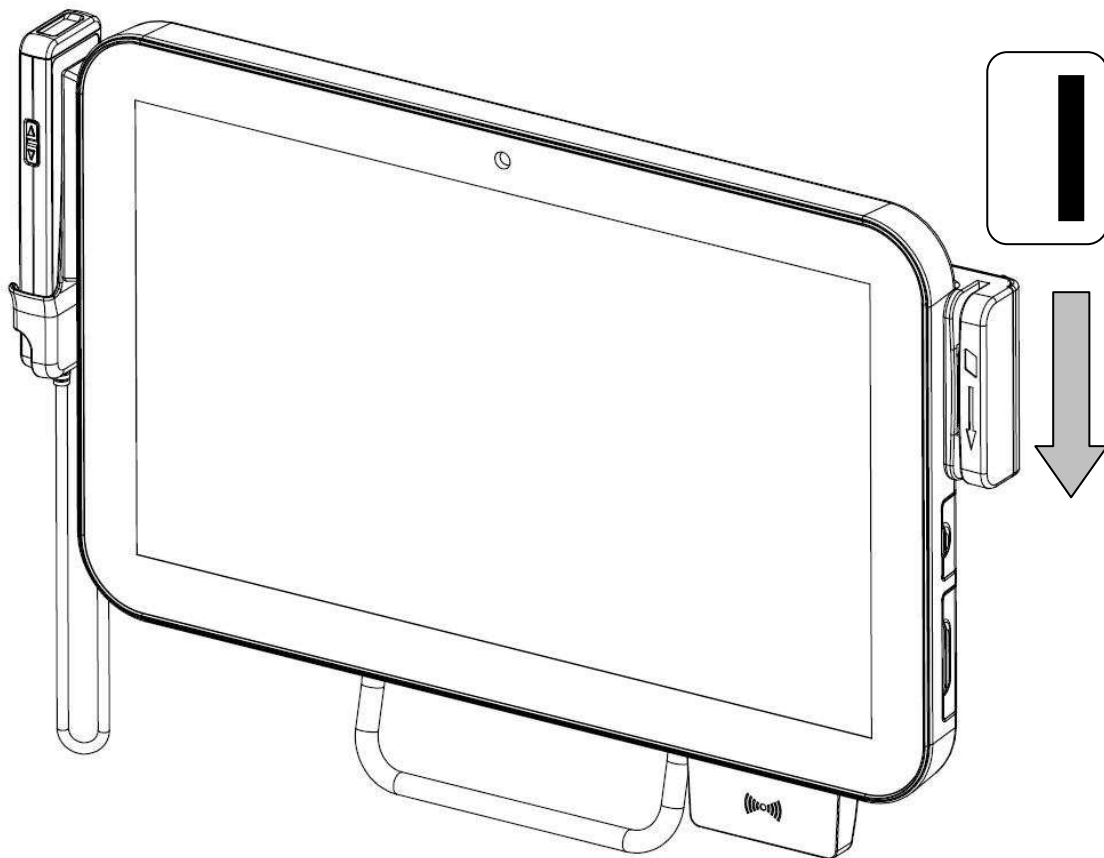
1. Open the rubber cover on the right side of the system.
2. Insert the earphone phone or microphone into the jacks.

3.4 Using the Smart Card Reader



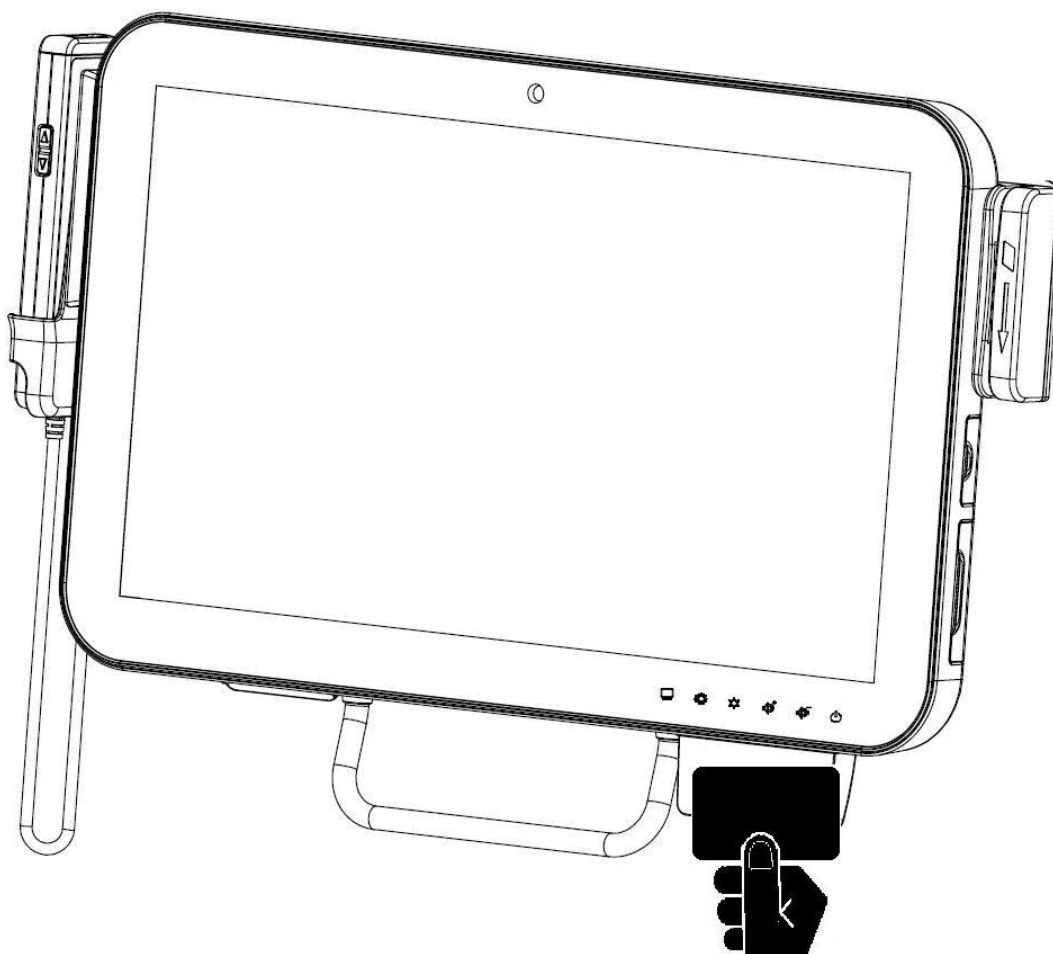
1. Have the IC card face up.
2. Insert the IC card into the Smart Card Reader slot.

3.5 Using Magnetic Strip Reader



1. Have your card with the magnetic strip facing outside.
2. Slide the card from top to the bottom.

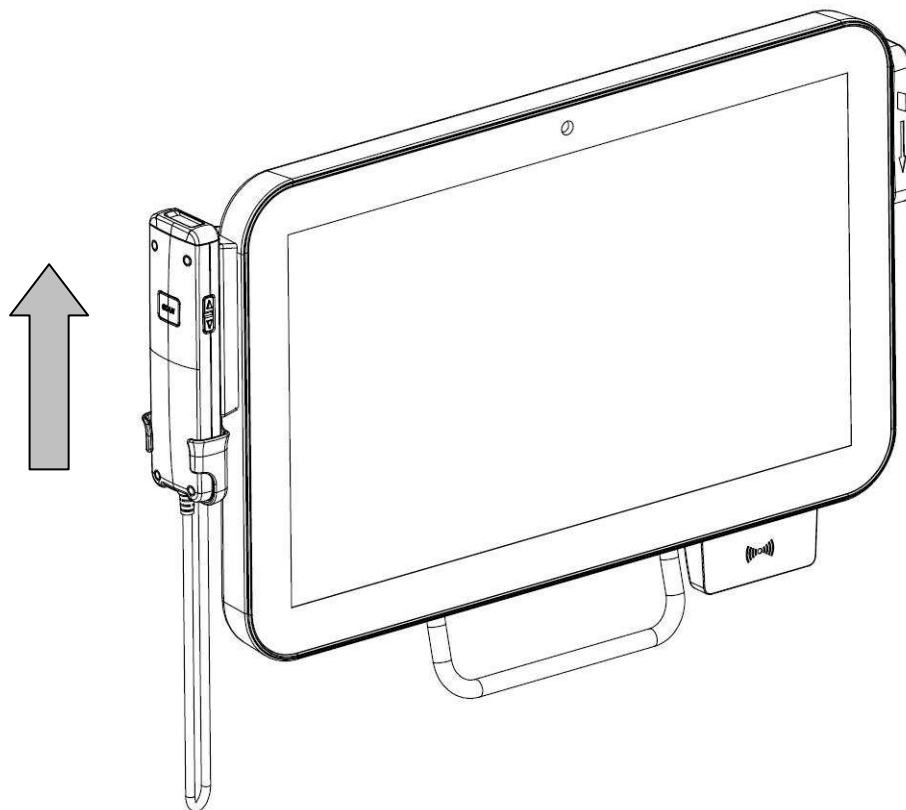
3.6 Using RFID Reader/Writer



1. Attach the card to the RFID Reader/Writer. Keep card close to the reader no greater than 5cm.
2. The RFID will beep if the card is read or written successfully.

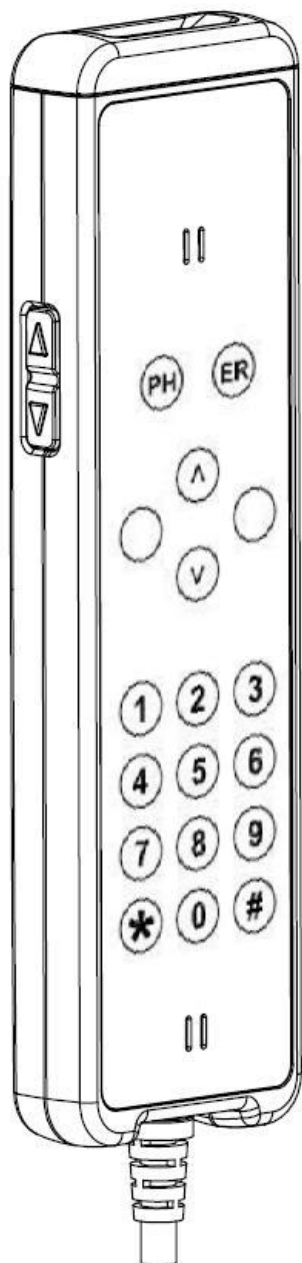
Note: The RFID Reader/Writer accepts ISO 14443A standard cards ONLY.

3.7 Using Handset



Take the Handset

1. When you want to use the handset, lift the handset from the cradle.
2. Replace the handset back to the handset cradle with keypad facing inside.

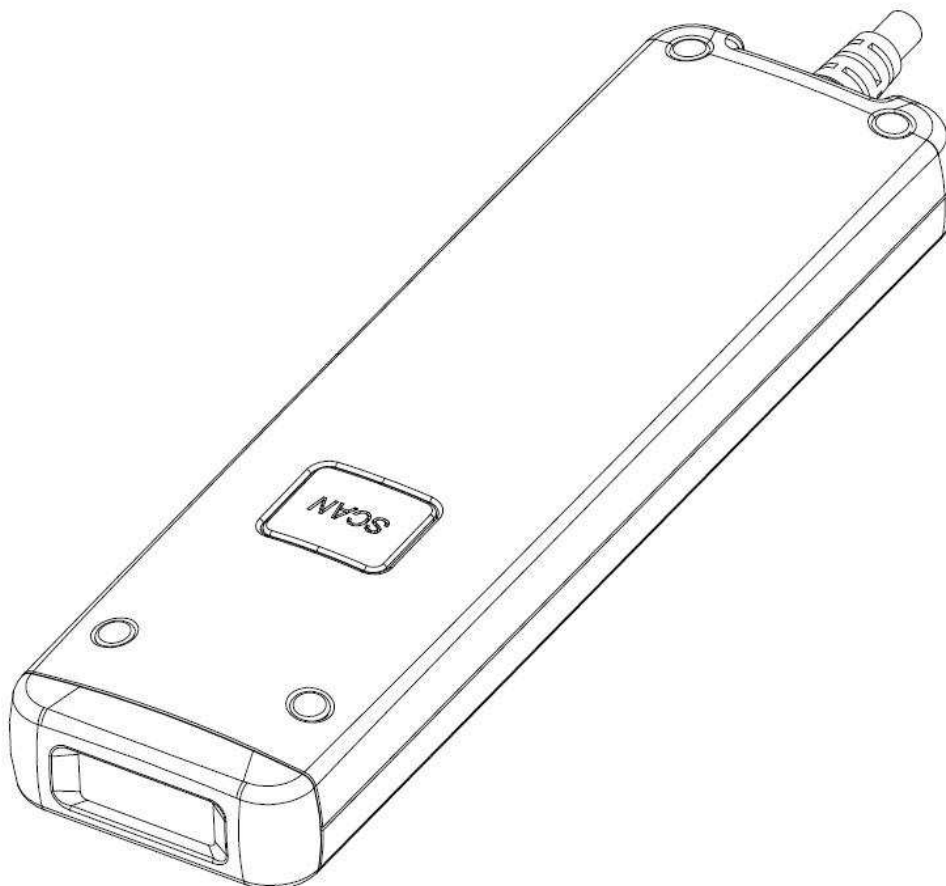


Start and End a Phone Conversation

1. To make a phone call, enter the numbers by press the number on the keypad and press “Dial” icon.
2. To end a phone conversation, press the “Hang Up” icon.
3. Use the volume control to adjust the volume of the handset.

Note: Phone application software and Internet connection are required.

3.8 Using Barcode Scanner



1. Take the handset and turn it over.
2. Aim the barcode and maintain an appropriate distance between and barcode and scanner.
3. Press SCAN button.
4. The Barcode Scanner will “Beep” when the barcode is successfully read.

4. Upgrading AID-173S Bedside Terminals

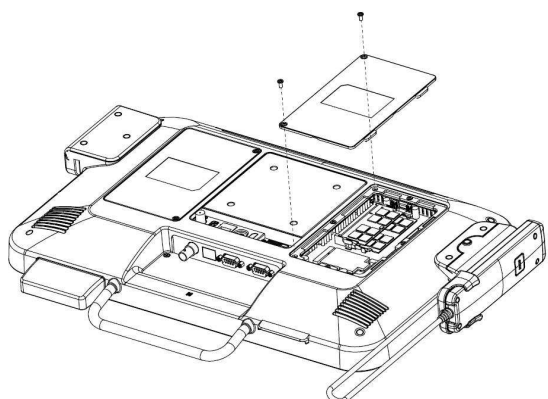
In this chapter, you will learn several peripherals upgrade or replacement. Please perform these steps with care.

▲ **WARNING:** Turn OFF the system and disconnect the power cable before performing the following tasks.

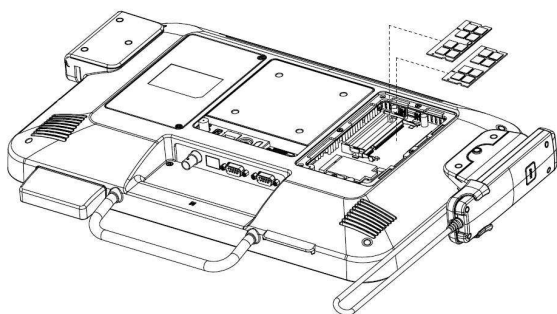
▲ **CAUTION:** Only a certified service technician is authorized to remove the cover and access the components inside the system.

- 4.1 Adding/Removing/Replacing Memory
- 4.2 Adding/Removing/Replacing TV Tuner
- 4.3 Removing and Replacing the Wireless Card
- 4.4 Adding 3rd Party Mini-PCIe Cards
- 4.5 Removing and Replacing the Hard Disk Drive

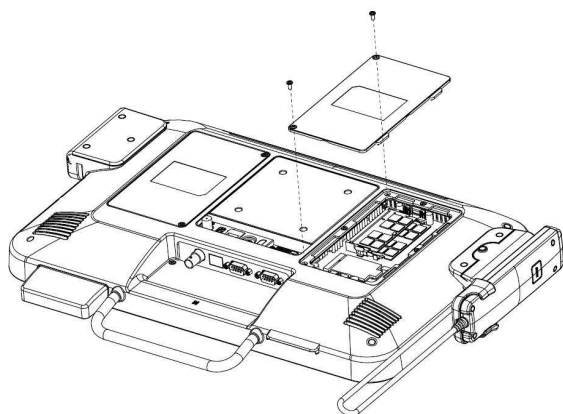
4.1 Adding/Removing/Replacing Memory



1. Remove the two screws from the service door.
2. Open the service door.



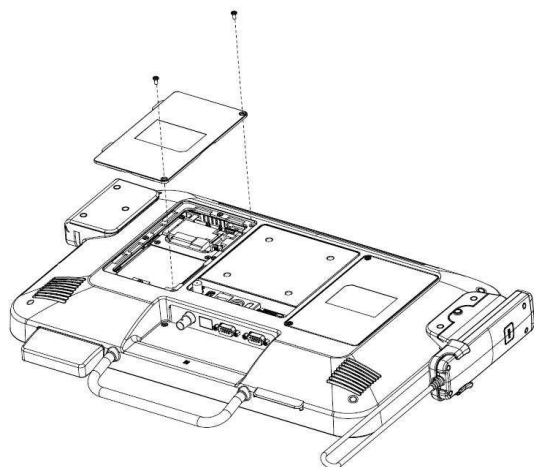
1. Push the two latches of the retaining clips away from the memory module.
2. The memory module will pop up at an angle.
3. Lift the memory module from the memory socket.



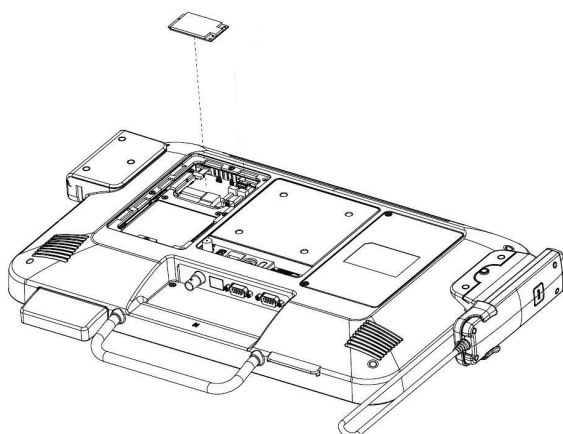
1. Align the correct location of the key slot on the connector edge.
2. Slide the memory module into the memory socket.
3. Push the memory module down until the retaining clip latches catch.
4. Close the service door.
5. Insert the two screws on the service door.

Note: Please use the correct type of memory on both memory sockets.

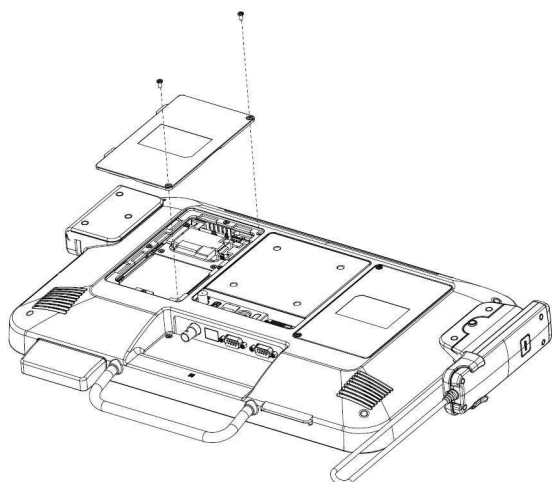
4.2 Adding/Removing/Replacing TV Tuner



1. Remove the two screws from the service door.
2. Open the service door.

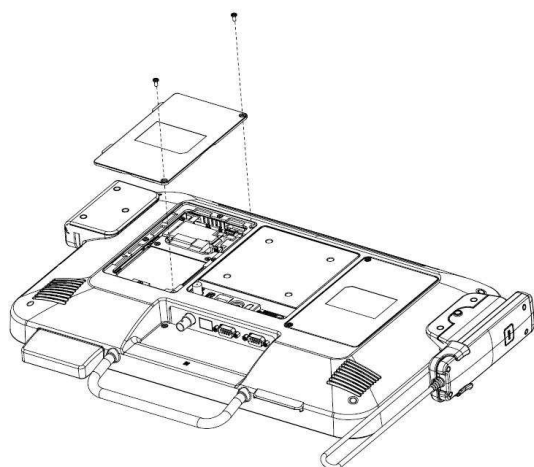


1. Unplug the TV signal cable.
2. Unlock the mini-PCIe socket.
3. Pull the TV module out of the socket.

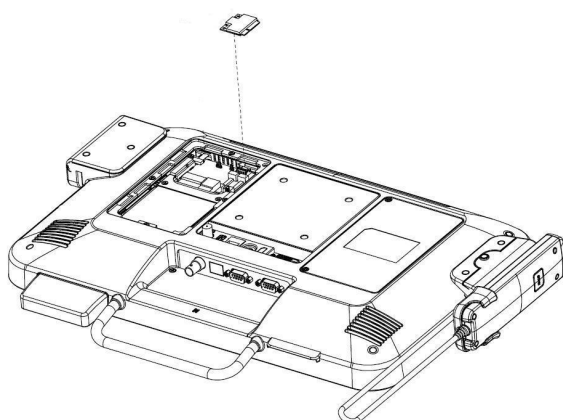


1. Place the TV module into the mini-PCIe socket.
2. Lock the mini-PCIe socket.
3. Connect the TV signal cable to the TV module.
4. Close the service door.
5. Insert the two screws on the service door.

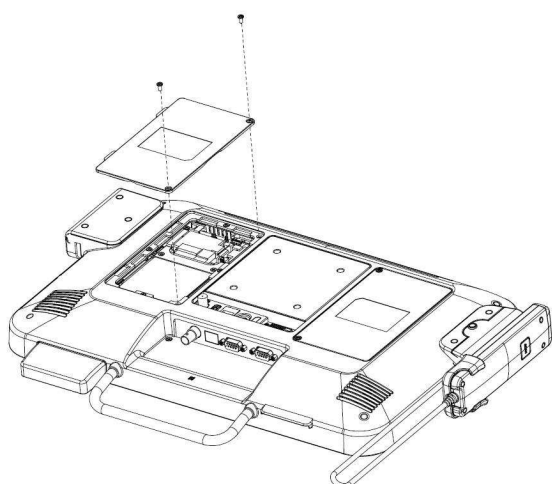
4.3 Removing and Replacing the Wireless Card



1. Remove the two screws from the service door.
2. Open the service door.

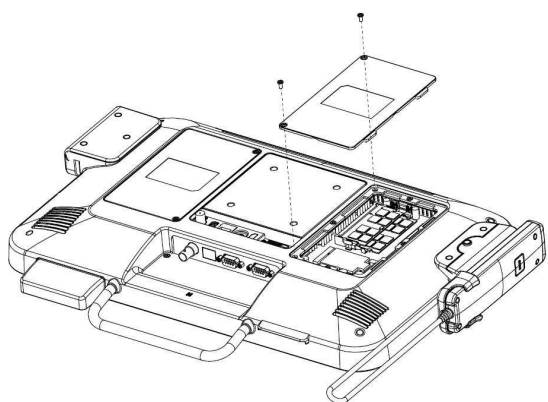


1. Unplug the two antennas from the wireless module.
2. Unlock the mini-PCIe socket.
3. Pull the wireless module out of the socket.

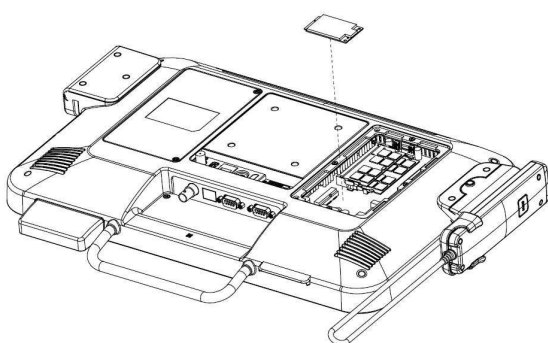


1. Place the wireless module into the mini-PCIe socket.
2. Lock the mini-PCIe socket.
3. Connect the two antenna to the wireless module.
4. Close the service door.
5. Insert the two screws on the service door.

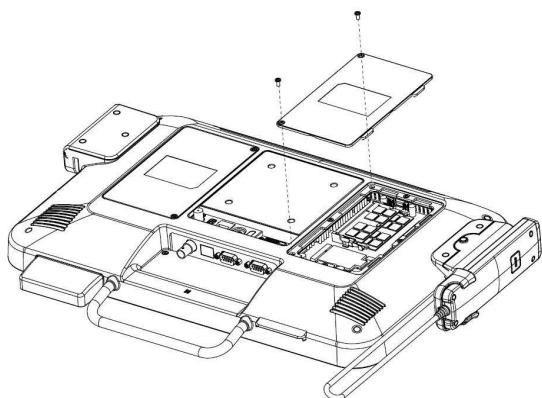
4.4 Adding 3rd Party Mini-PCle Cards



1. Remove the two screws from the service door.
2. Open the service door.

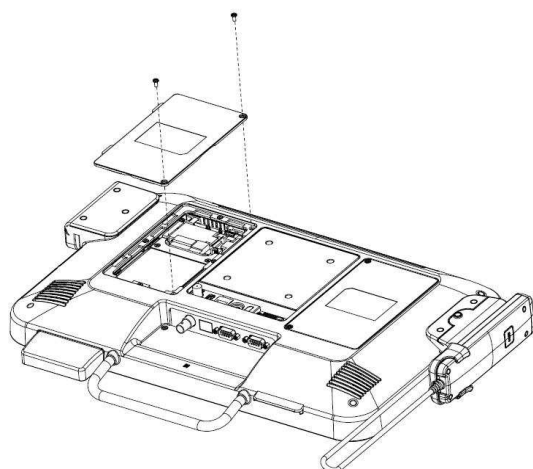


1. Insert the 3rd party mini-PCle card into the empty mini-PCle expansion socket.
2. Lock the mini-PCle socket.

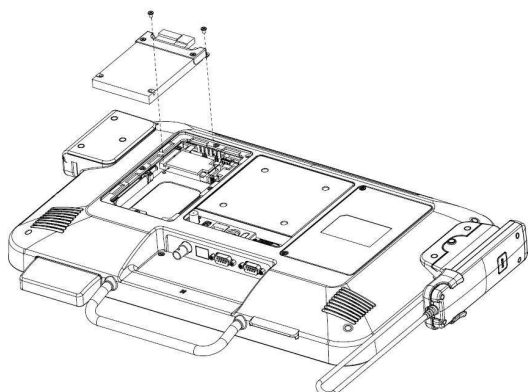


Close the service door and insert two screws.

4.5 Removing and Replacing the Hard Disk Drive

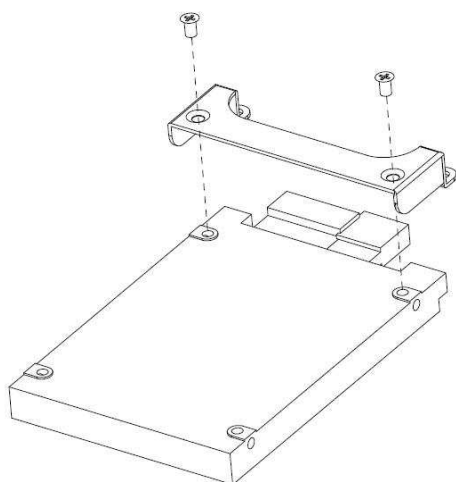


1. Remove the two screws from the service door.
2. Open the service door.

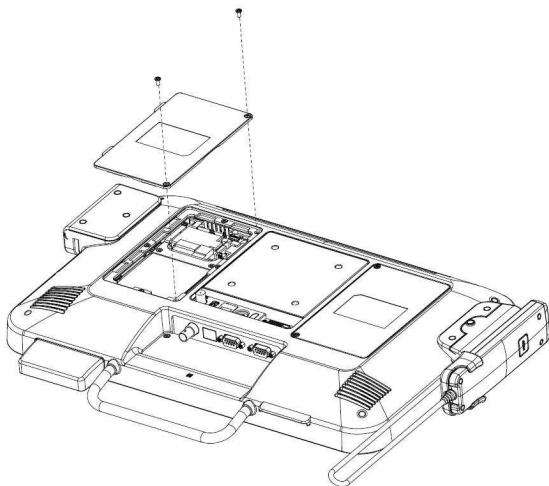


1. Remove the two top screws from the hard bracket from the hard disk cage.
2. Disconnect the power and data cables from the back of the hard disk drive.
3. Lift the top of the hard disk drive bracket and pull the hard disk drive from the cage.

Remove the two screws on the bracket from the hard disk.



Continue on next page...



1. Insert the two screws on the bracket.
2. Place the hard disk drive into the cage.
3. Insert two screws on the bracket and the cage.
4. Connect the power and data cable to the hard disk drive.
5. Close the service door and insert two screws.

End of This Document

**Thank you for purchasing and using AID-173S Bedside Terminals.
We hope you have a joyful experience with our products and services.**