

6

5

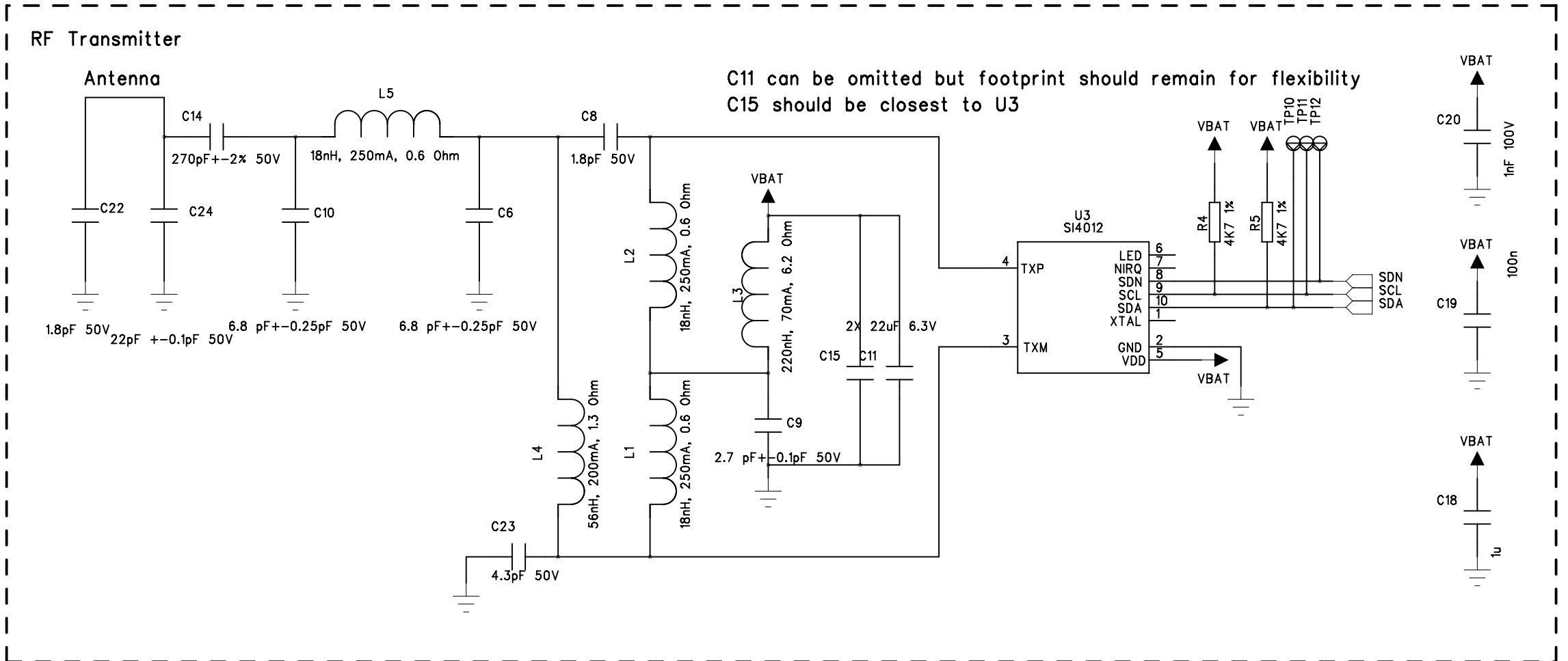
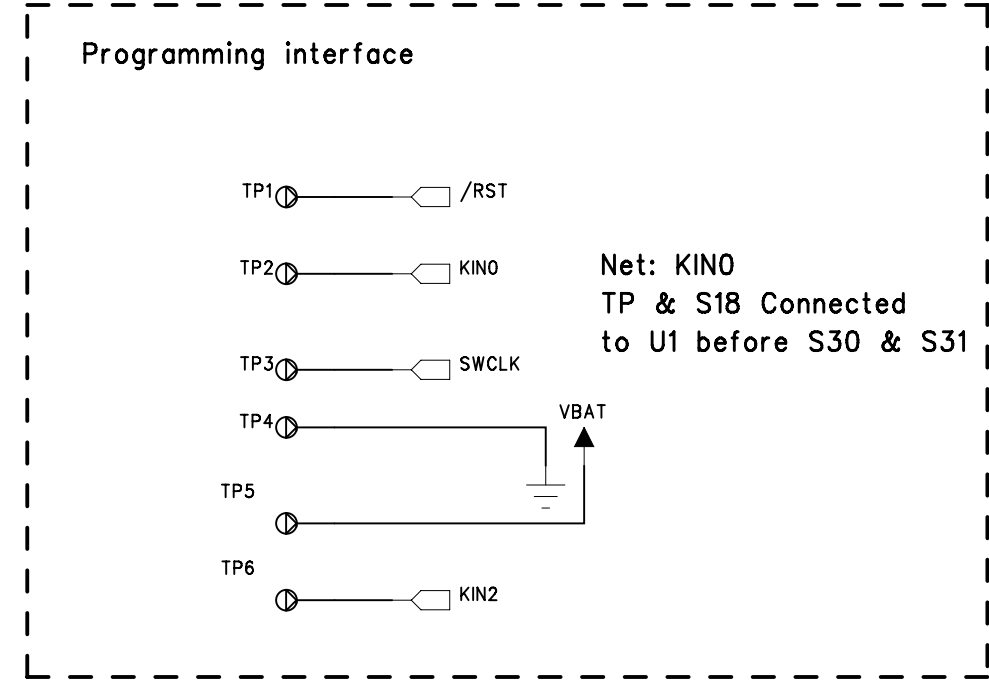
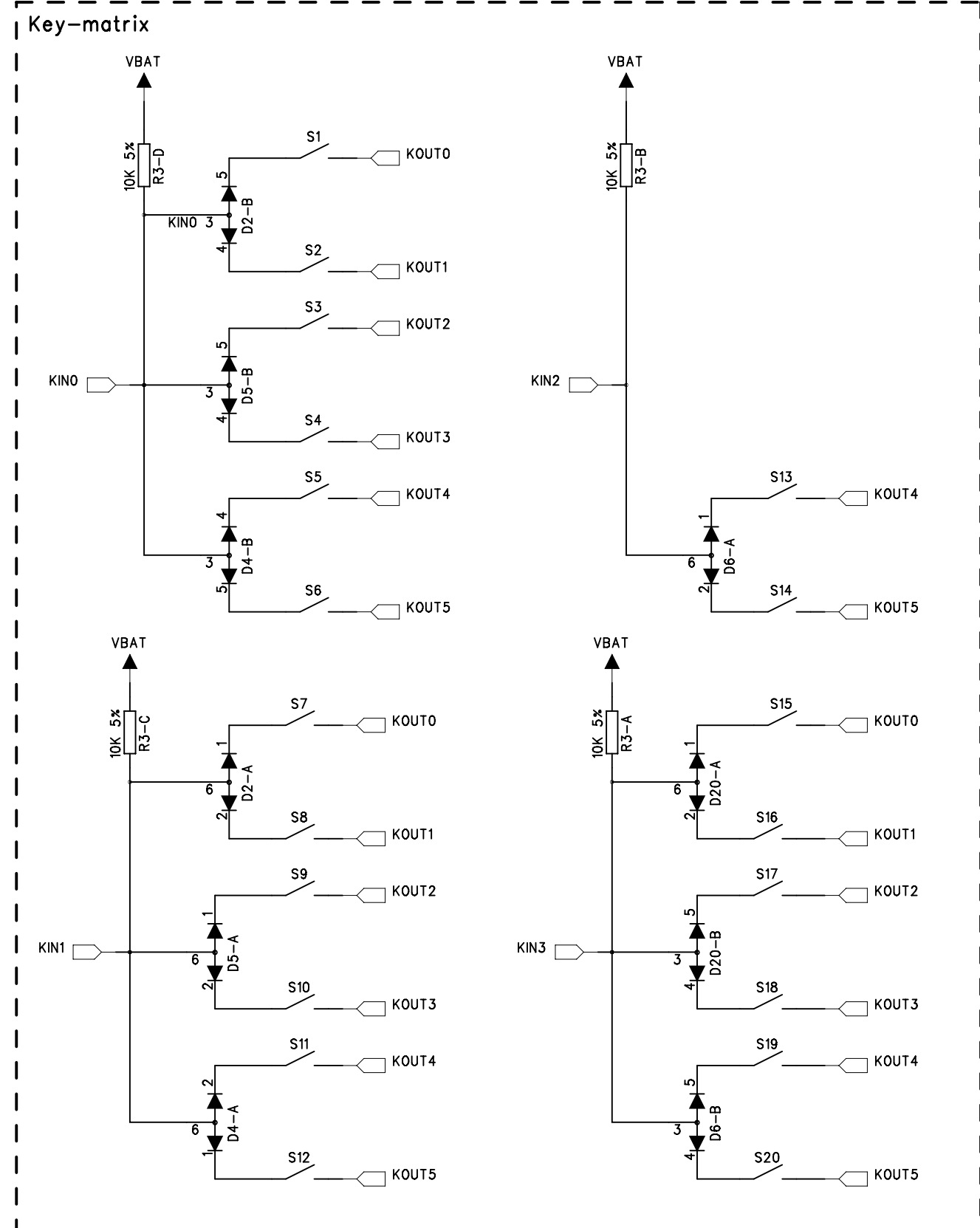
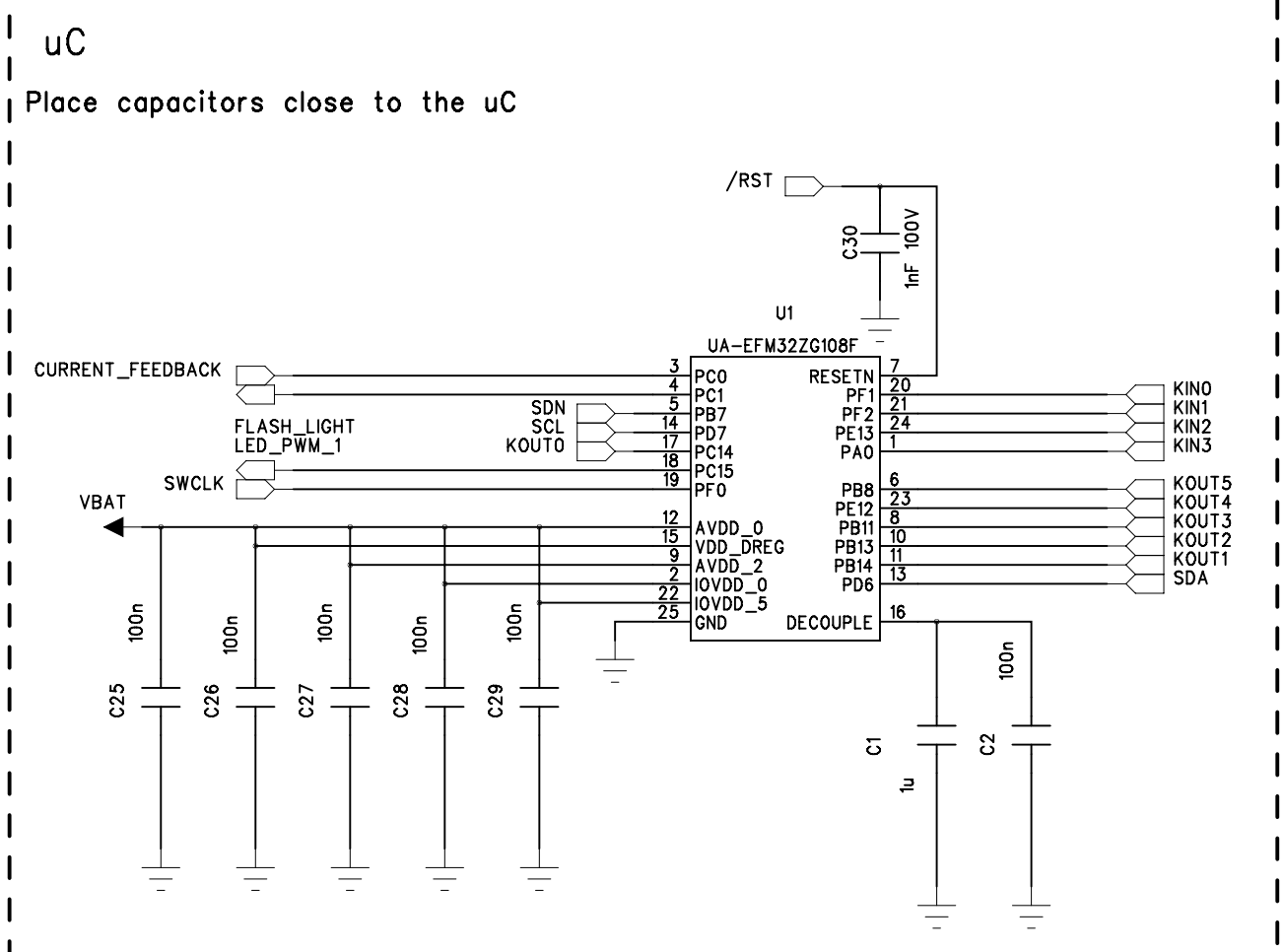
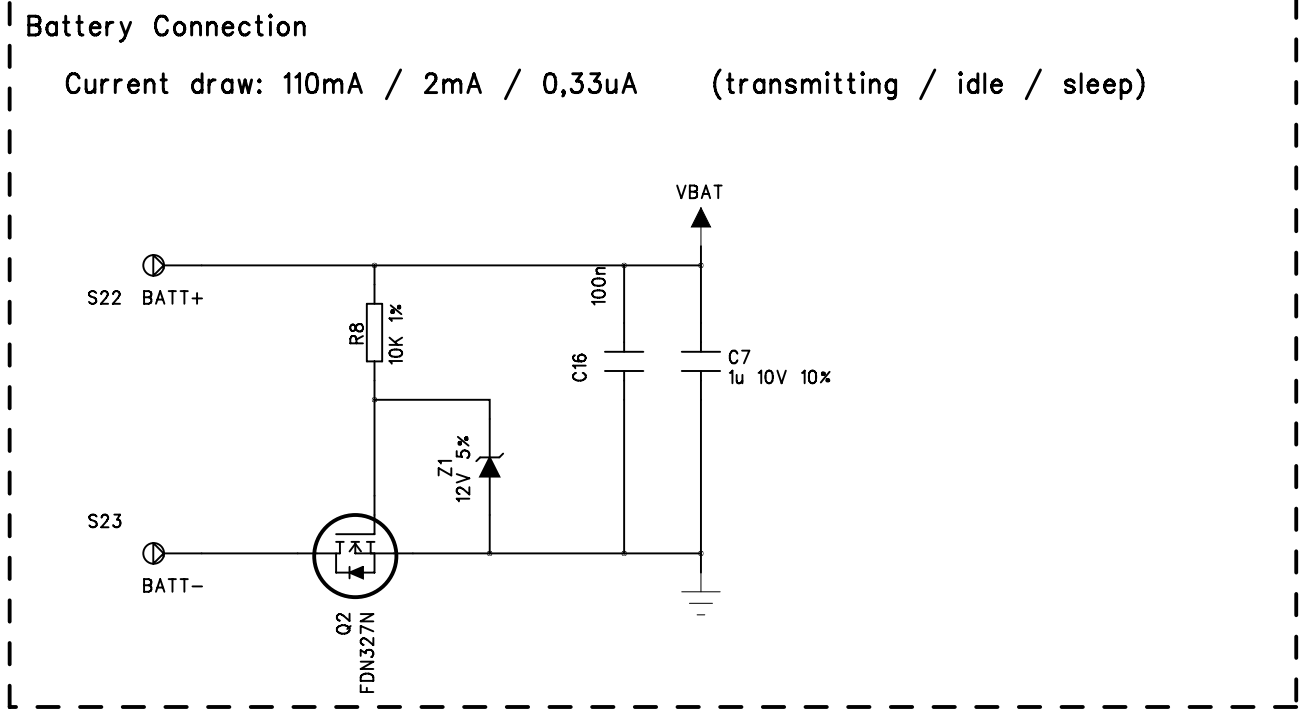
4

3

2

1

REVISION RECORD			
LTR	ECO NO:	APPROVED:	DATE:



COMPANY:		LINAK A/S	
TITLE:			
Navigator			
CODE:	SIZE:	DRAWING NO:	
		10907584-B	
SCALE:	SHEET:		OF

DRAWN:	DATED:
Jais Olesen	2015-06-12
CHECKED:	DATED:
QUALITY CONTROL:	DATED:
RELEASED:	DATED:

6

5

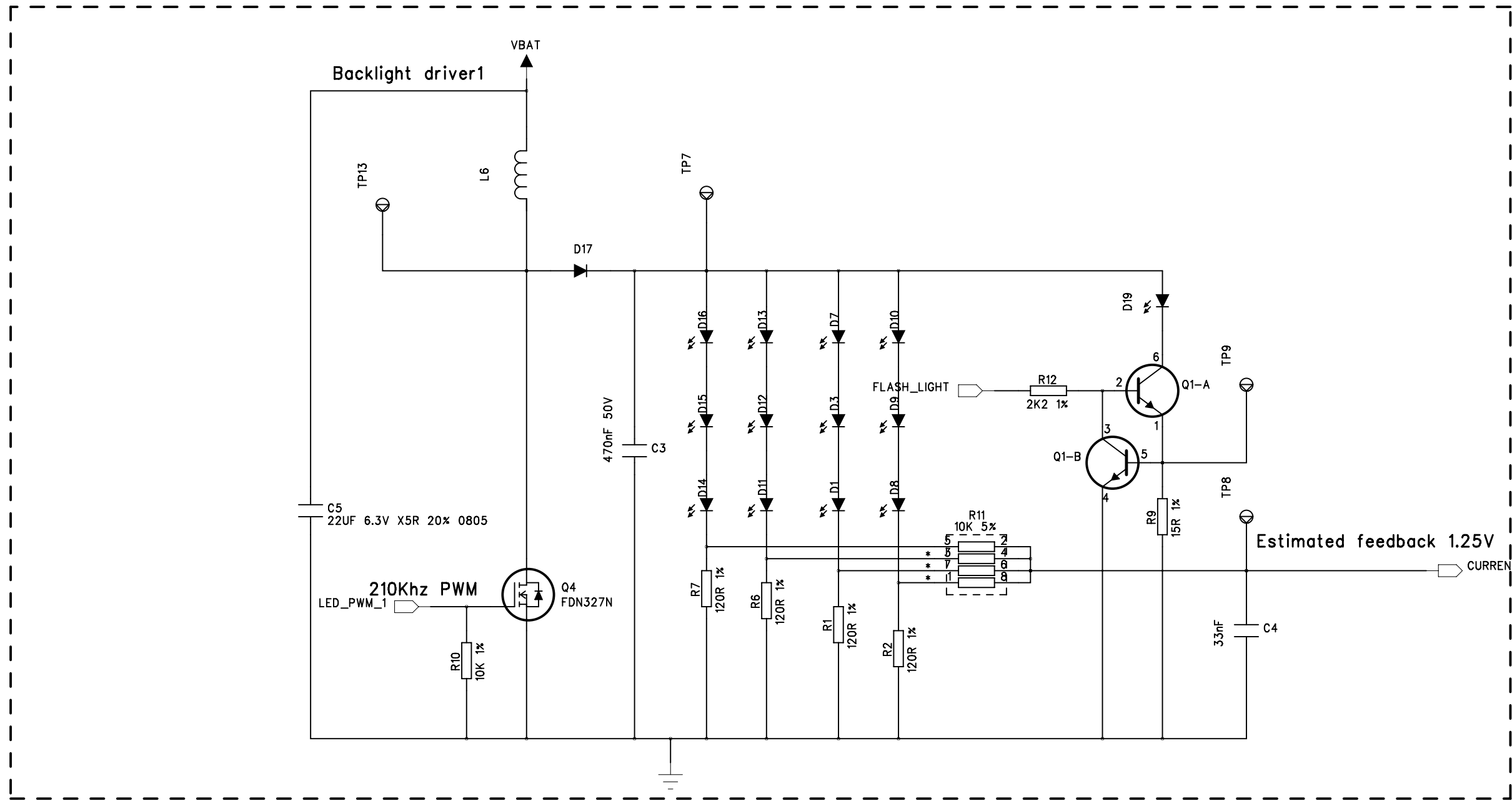
4

3

2

1

REVISION RECORD			
LTR	ECO NO:	APPROVED:	DATE:



D

D

C

C

B

B

A

A

DRAWN:	DATED:
CHECKED:	DATED:
QUALITY CONTROL:	DATED:
RELEASED:	DATED:

COMPANY:			LINAK A/S		
TITLE:					
CODE:		SIZE:		DRAWING NO:	
SCALE:				SHEET: OF	