

6

5

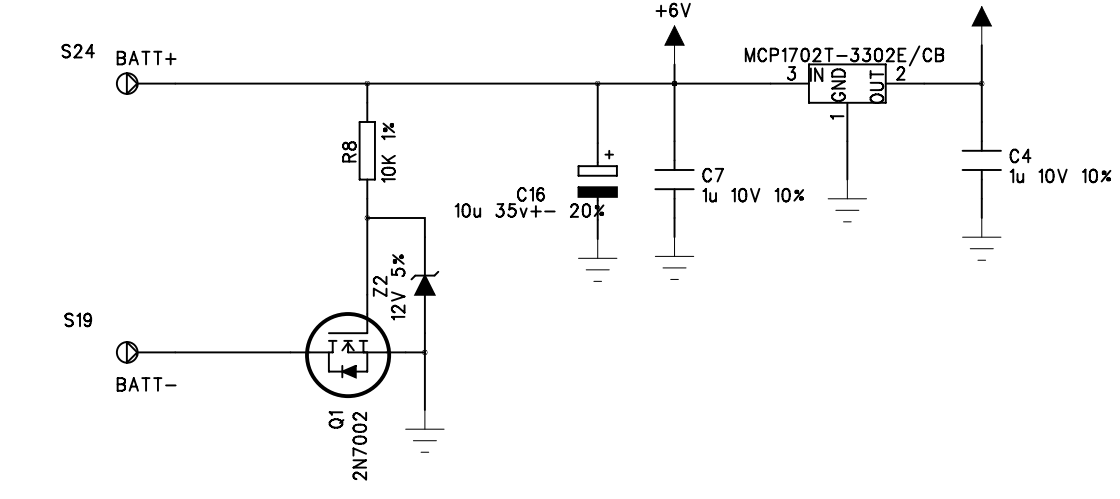
4

3

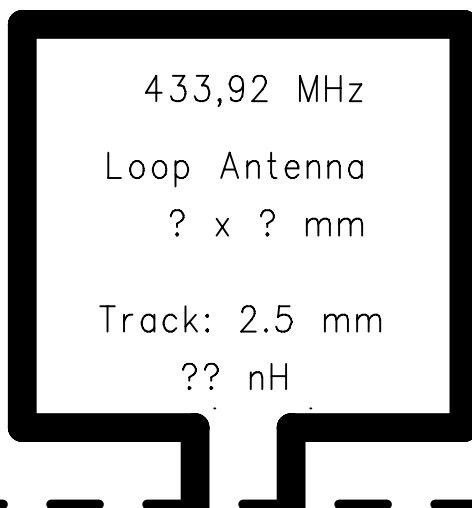
2

1

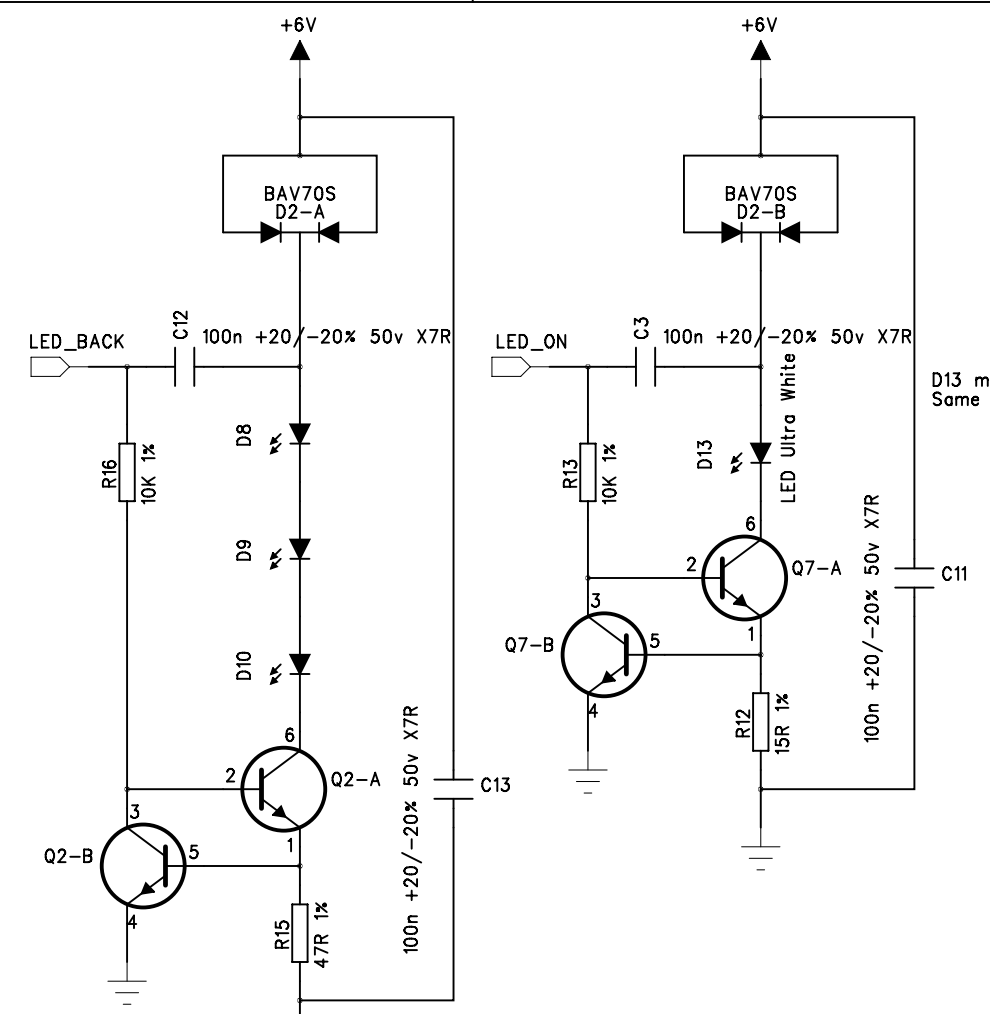
Battery Connection



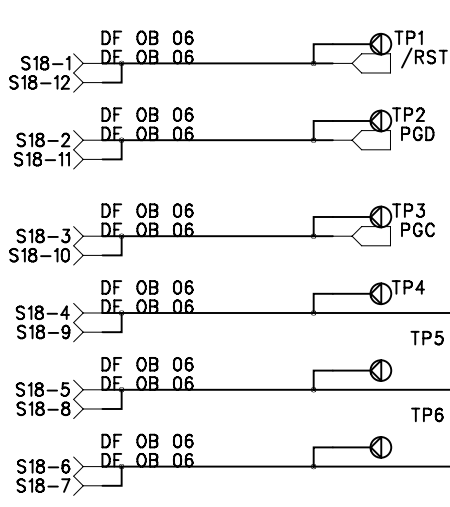
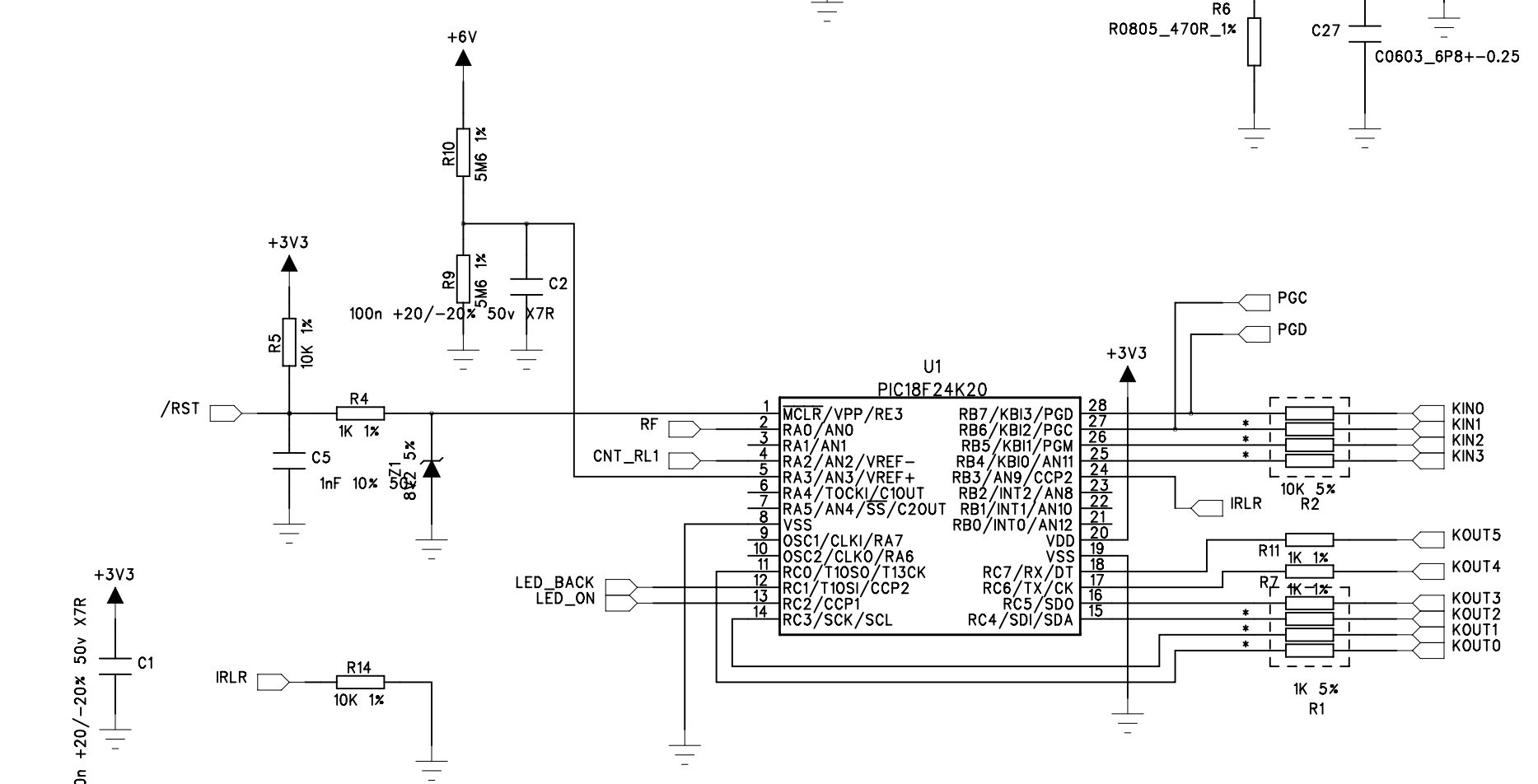
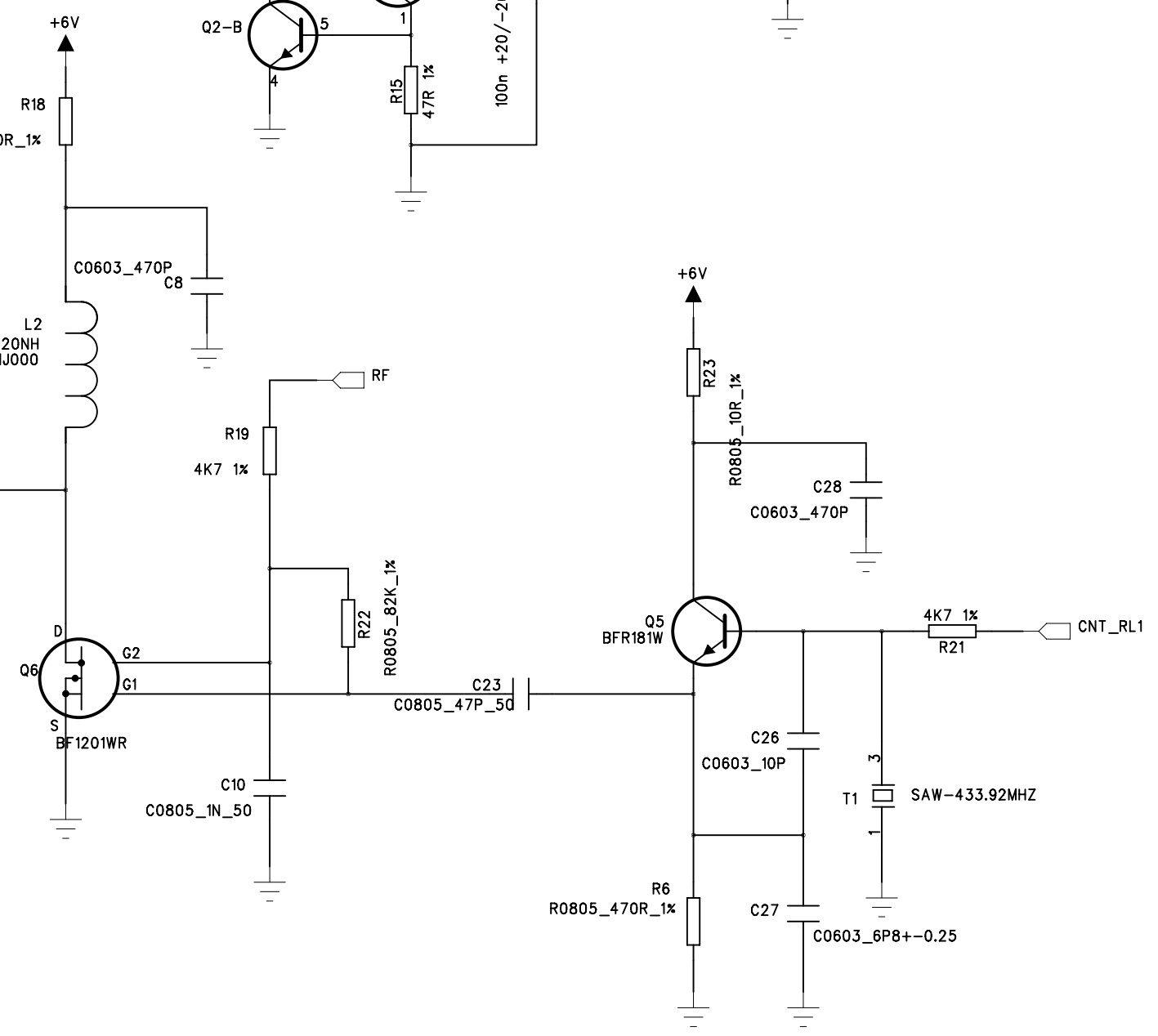
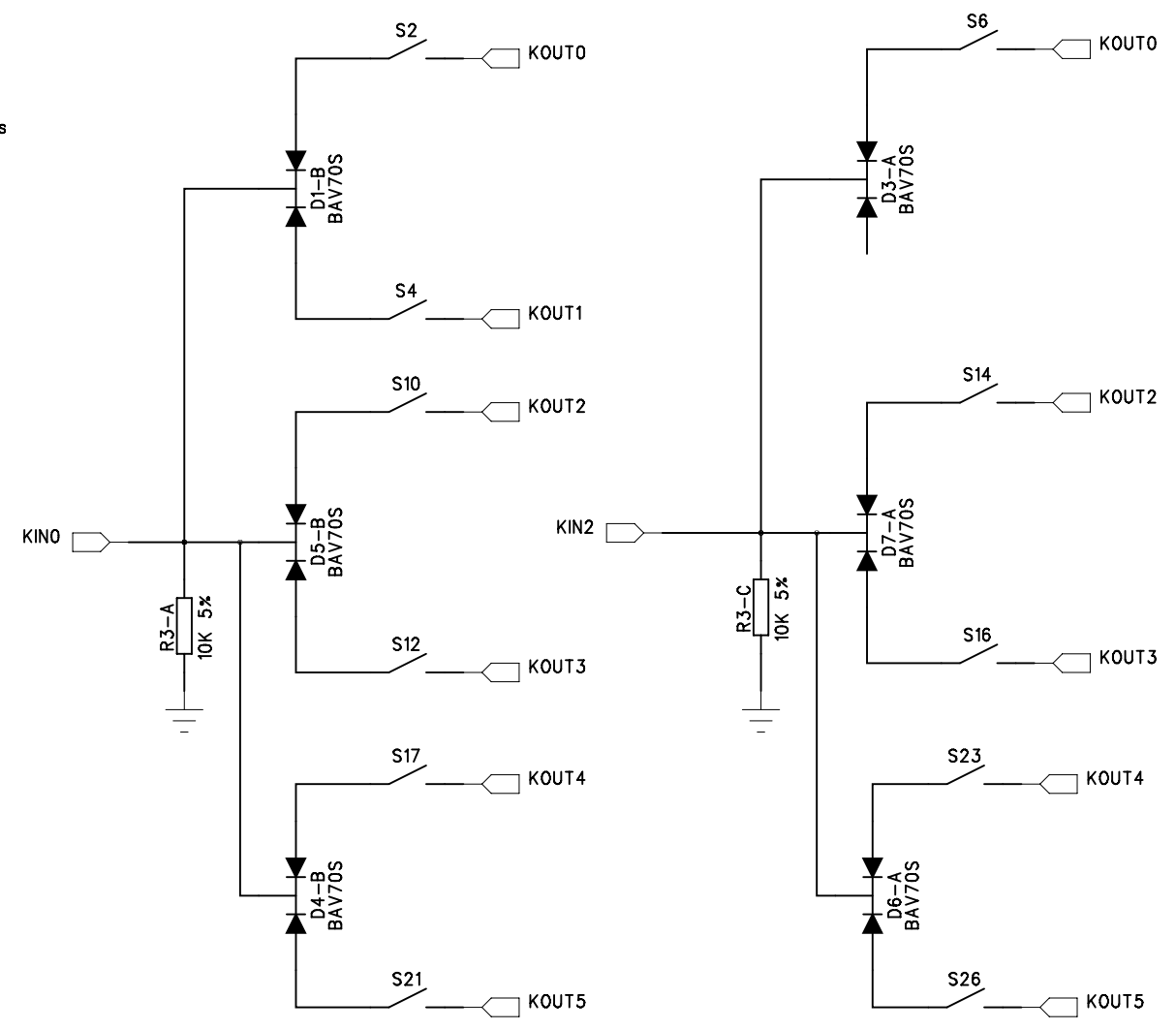
No tracks or groundplane



REVISION RECORD			
LTR	ECO NO:	APPROVED:	DATE:



D13 mounted on Bottom side
Same side as most SMD components



100n +20/-20% 50v X7R

DRAWN: TOP	DATED: 2013-04-05
CHECKED:	DATED:
QUALITY CONTROL:	DATED:
RELEASED:	DATED:

COMPANY: LINAK A/S	
TITLE: 10HC20L001-E-0	
CODE:	SIZE:
DRAWING NO: 10907058-E	
SCALE:	SHEET: OF