

6

5

4

3

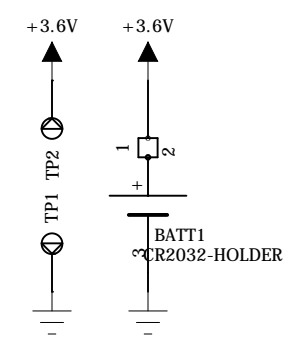
2

1

REVISION RECORD			
LTR	ECO NO:	APPROVED:	DATE:

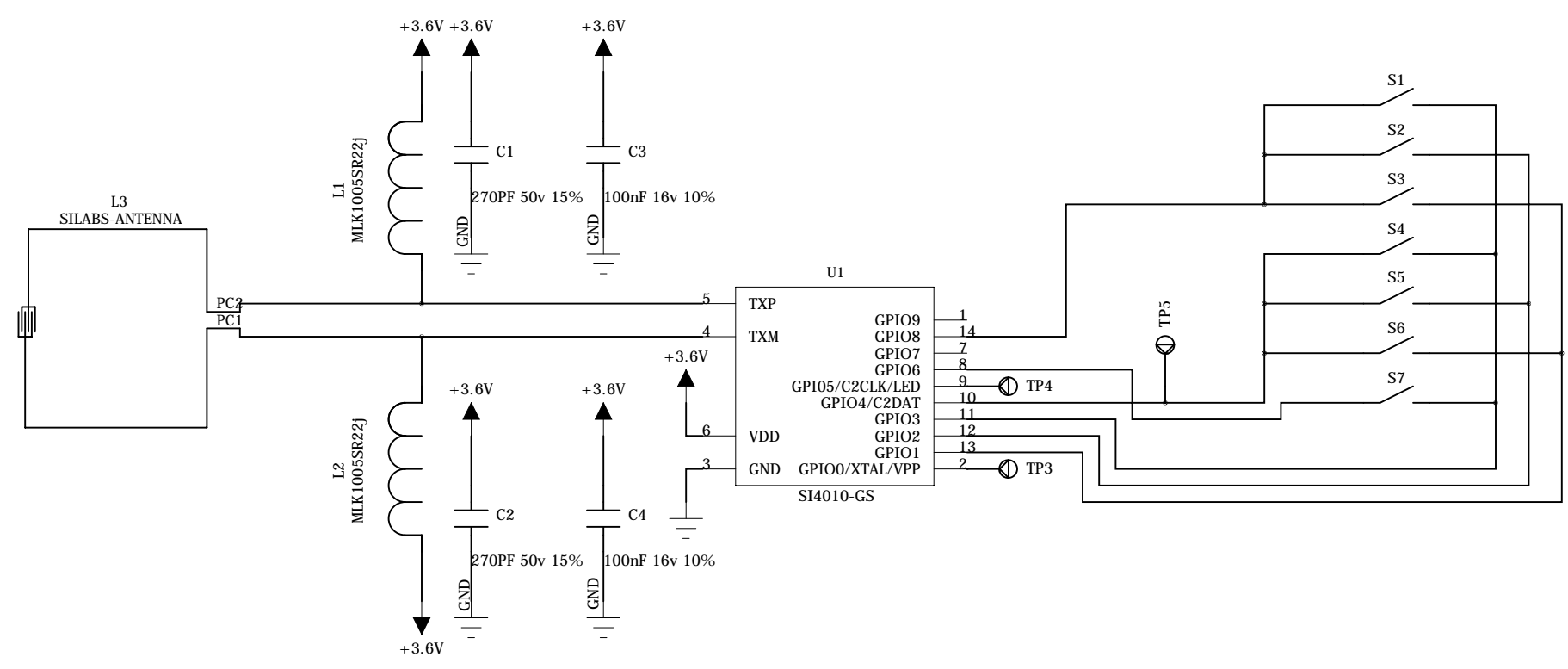
D

D



C

C



B

B

A

A

COMPANY:				LINAK A/S			
TITLE:				CBH RELAY			
DRAWN: HSA		DATED: 2013-06-24		CODE:		SIZE:	
CHECKED:		DATED:		DRAWING NO:		REV: B	
QUALITY CONTROL:		DATED:		10907421			
RELEASED:		DATED:		SCALE:		SHEET: OF	

DRAWN:	HSA	DATED:	2013-06-24
CHECKED:		DATED:	
QUALITY CONTROL:		DATED:	
RELEASED:		DATED:	