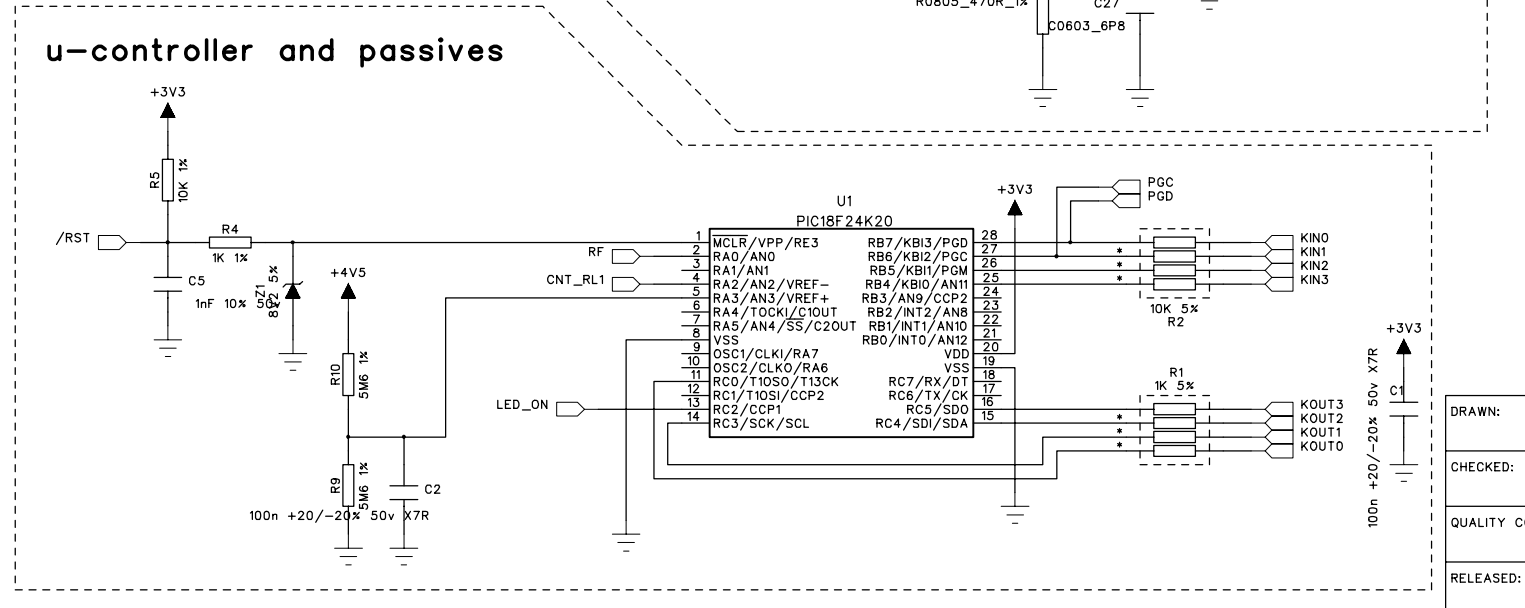
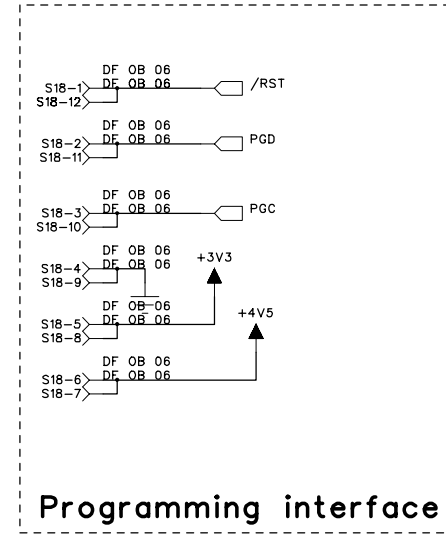
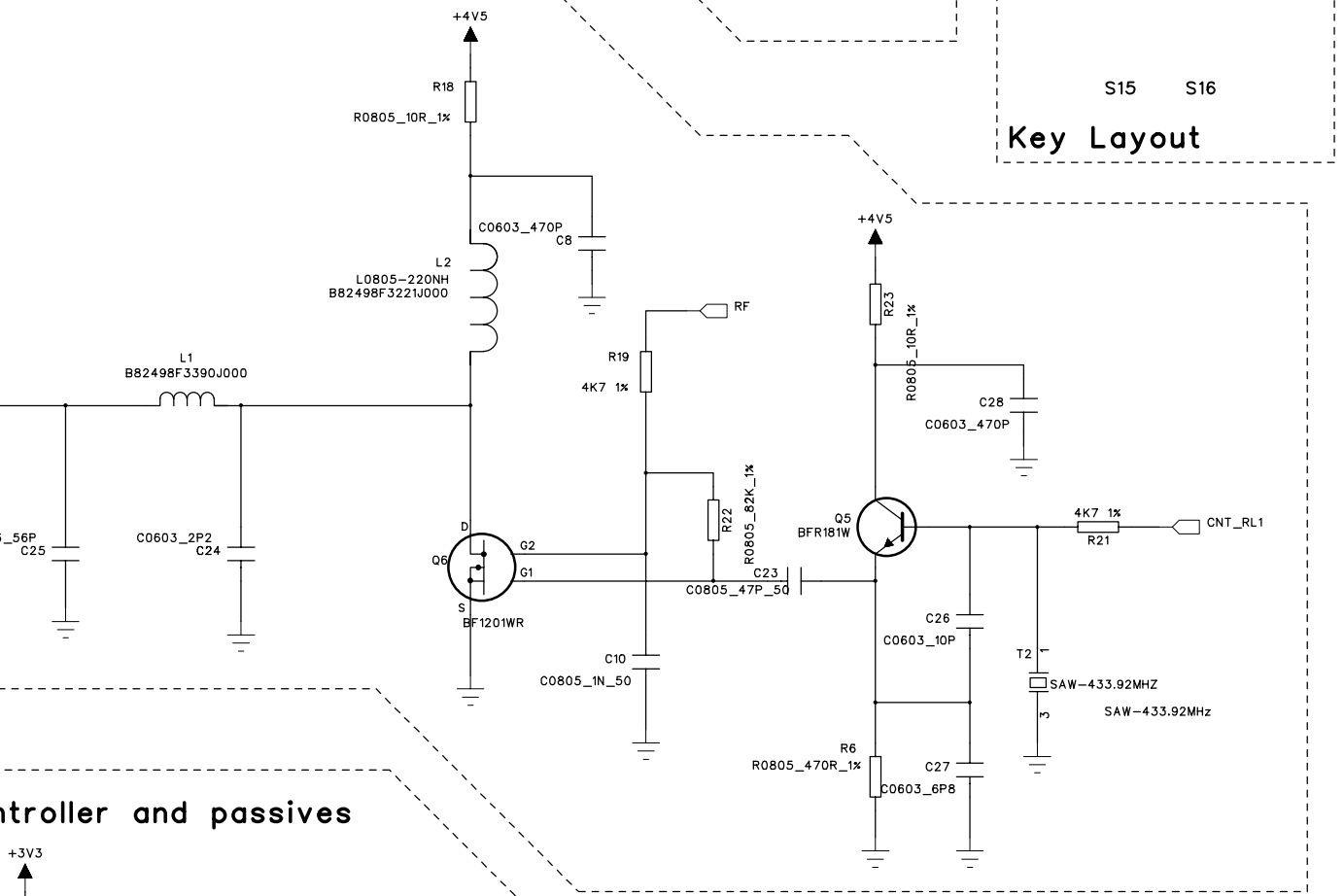
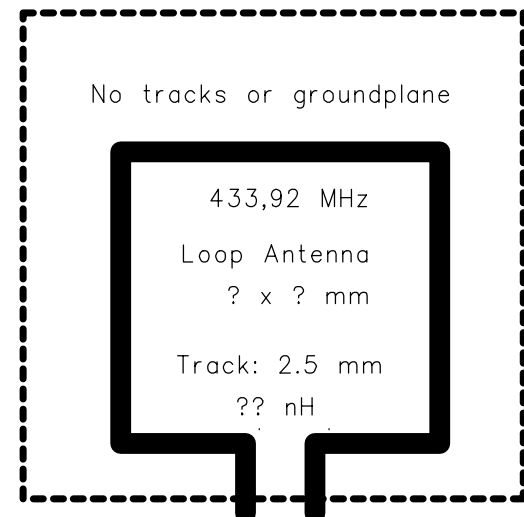
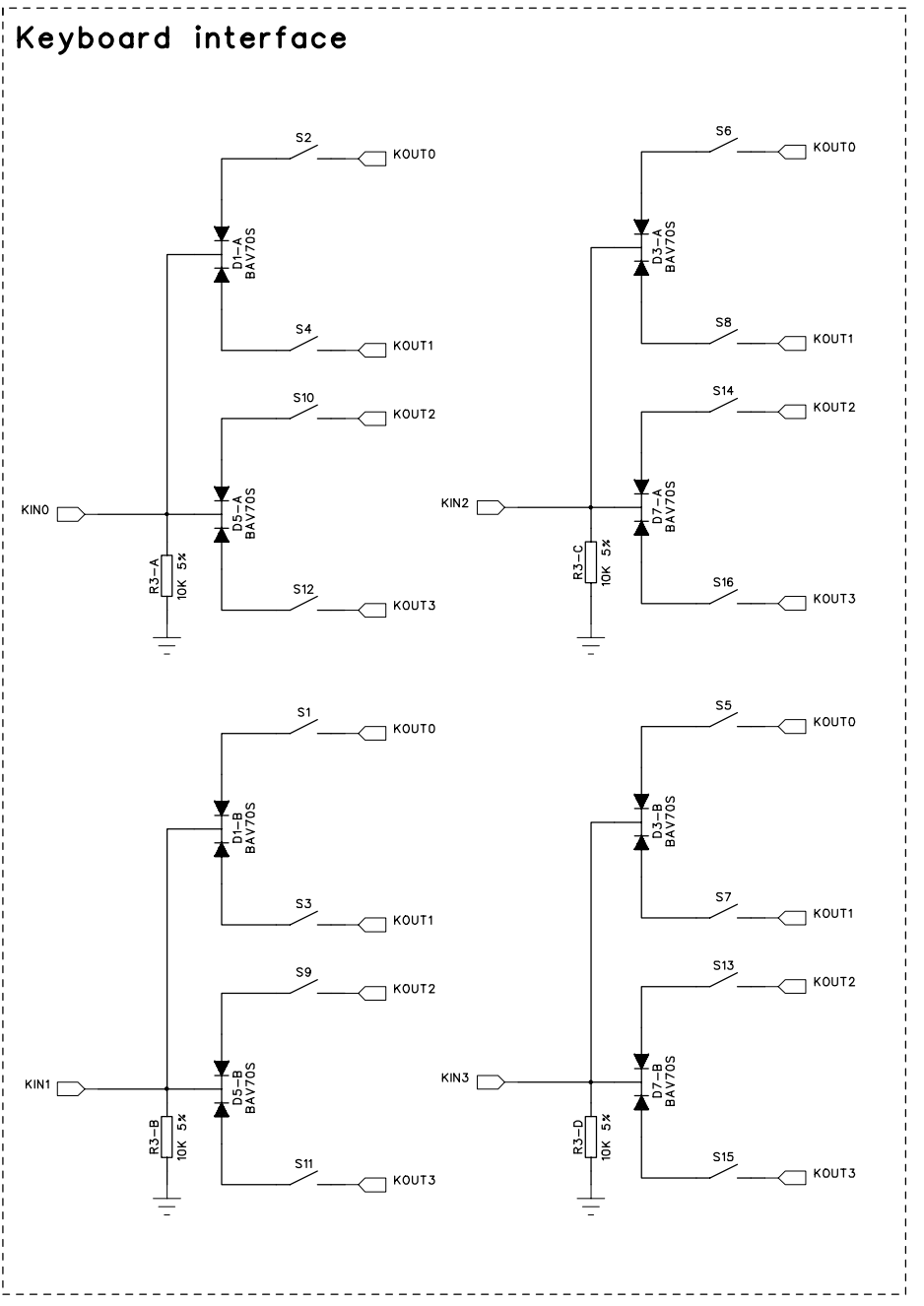
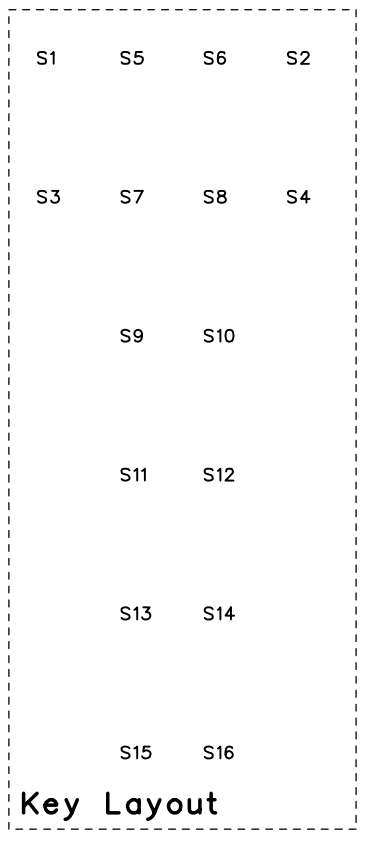
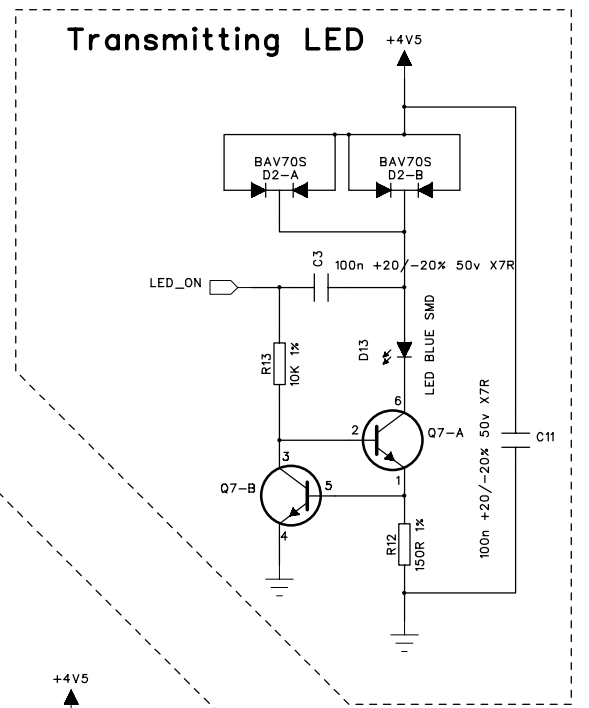
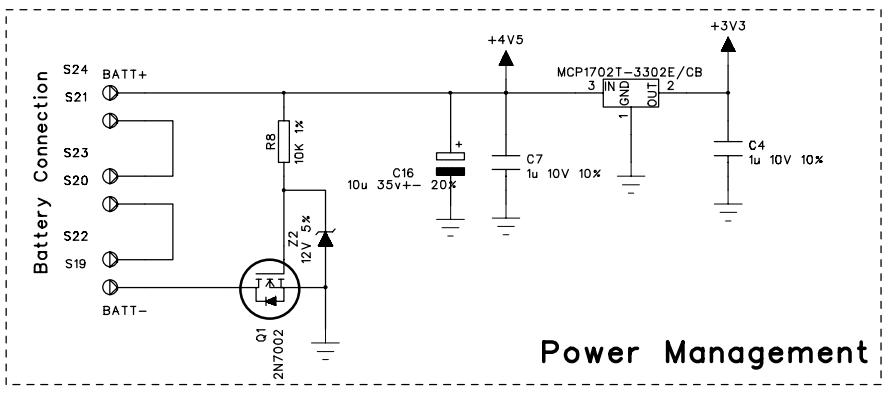


REVISION RECORD			
LTR	ECO NO:	APPROVED:	DATE:



COMPANY:		LINAK A/S	
TITLE:		HB20 with RF (HB25RF)	
DRAWN: KEO / HEK	DATED: 20100302	CODE:	SIZE:
CHECKED: HEK	DATED: 0808xx	DRAWING NO: 10905725-P	
QUALITY CONTROL:	DATED:	SCALE:	SHEET: OF
RELEASED:	DATED:		