



DPI and Desk Connect™ App User Manual

Contents

Preface	3
Terms of use	4
Important information	5
Safety instruction	5
Only for EU markets.....	7
Only for Non EU markets	7
Misuse.....	7
Informations importantes.....	8
Consignes de sécurité	8
Seulement pour les marchés au sein de l'UE.....	9
Seulement pour les marchés hors UE:	9
Utilisation abusive.....	9
Repairs.....	10
Manufacturer's declaration.....	11
EU Declaration of Conformity	13
UK Declaration of Conformity	14
Miscellaneous on the DESKLINE® system	15
Maintenance	15
Cleaning the desk panel	15
ETL-marking.....	16
Products	17
Installation	18
Placing the DPI	18
Mounting the DPI	18
Operation	21
Simple version	21
Advanced version	22
Desk Connect™ App.....	22
Getting started.....	23
Disposal of LINAK products	24
Dimensional drawings.....	25
LINAK application policy.....	26

Preface

Dear User,

We are delighted that you have chosen a LINAK® product.

LINAK systems are high-tech products based on many years of experience in the manufacture and development of actuators, electric control boxes, controls, batteries, accessories and chargers.

This User Manual does not address the end user. It is intended as a source of information for the equipment or system manufacturer only, and it will tell you how to install, use and maintain your LINAK electronics.

The manufacturer of the end product has the responsibility to provide a User Manual where relevant safety information from this manual is passed on to the end user.

We are convinced that your LINAK product/system will give you many years of problem-free operation.

Before our products leave the factory, they undergo full function and quality testing. Should you, nevertheless, experience problems with your product/system, you are always welcome to contact your supplier.

LINAK subsidiaries and some distributors situated all over the world have authorised service centres, which are always ready to help you. Locate your local contact information on the back page.

LINAK provides a warranty on all products.

This warranty, however, is subject to correct use in accordance with the specifications, maintenance being done correctly, and any repairs being carried out at a service centre, which is authorised to repair LINAK products.

Changes in installation and use of LINAK systems can affect their operation and durability. The products are only to be opened by authorised personnel.

This User Manual has been written on the basis of the present technical knowledge. LINAK reserves the right to carry out technical modifications and keeps the associated information updated.

LINAK A/S

Terms of use

LINAK® takes great care in providing accurate and up-to-date information on its products. However, the user is responsible for determining the suitability of LINAK products for a specific application.

Due to continual development, LINAK products are subject to frequent modifications and changes. LINAK reserves the rights to conduct modifications, updates, and changes without any prior notice. For the same reason, LINAK cannot guarantee the correctness and actual status of imprinted information on its products.

LINAK uses its best efforts to fulfil orders. However, for the reasons mentioned above, LINAK cannot guarantee availability of any particular product at any given time. LINAK reserves the right to discontinue the sale of any product displayed on its website or listed in its catalogues or in other written material created and produced by LINAK, LINAK subsidiaries, or LINAK affiliates.

All sales are subject to the 'Standard Terms of Sale and Delivery for LINAK A/S' available on LINAK websites.

LINAK and the LINAK logotype are registered trademarks of LINAK A/S. All rights reserved.

Important information

Important information on LINAK® products can be found under the following headings:



Warning!

Failure to comply with these instructions may result in accidents involving serious personal injury.



Notice!

Failing to follow these instructions can result in the product being damaged or being destroyed.

Safety instruction

General

Safe use of the system is possible only when the operating instructions are read completely and the instructions contained are strictly observed.

Failure to comply with instructions marked with the "NOTE" symbol may result in serious damage to the system or one of its components.



It is important for everyone who is to connect, install, or use the systems to have the necessary information and access to this User Manual. Follow the instructions for mounting – risk of injury if these instructions are not followed.



The appliance is not intended for use by young children or infirm persons without supervision.



If there is visible damage on the product it must not be installed.



Note that during construction of applications, in which the actuator is to be fitted, there must be no possibility of personal injury, for example the squeezing of fingers or arms.



Assure free space for movement of application in both directions to avoid blockade.

**This device complies with part 15 of the FCC Rules.
Operation is subject to the following two conditions:**

- (1) This device may not cause harmful interference, and**
- (2) This device must accept any interference received, including interference that may cause undesired operation**

- **Statement – for all intentional and unintentional radiators:**

Changes or modifications not expressly approved by the party responsible for compliance could void the user's authority to operate the equipment.

- **Statement for digital devices for Class B:**

NOTE: This equipment has been tested and found to comply with the limits for a Class B digital device, pursuant to part 15 of the FCC Rules. These limits are designed to provide reasonable protection against harmful interference in a residential installation. This equipment generates, uses and can radiate radio frequency energy and, if not installed and used in accordance with the instructions, it may cause harmful interference to radio communications. However, there is no guarantee that interference will not occur in a particular installation. If this equipment does cause harmful interference to radio or television reception, which can be determined by turning the equipment off and on, the user is encouraged to try to correct the interference by one or more of the following measures:

- Reorient or relocate the receiving antenna.
- Increase the separation between the equipment and the receiver.
- Connect the equipment into an outlet on a circuit different from that to which the receiver is connected.
- Consult the dealer or an experienced radio/ TV technician for help.

This device contains licence-exempt transmitter(s)/receiver(s) that comply with Innovation, Science and Economic Development Canada's licence-exempt RSS(s). Operation is subject to the following two conditions:

- (1) This device may not cause interference.
- (2) This device must accept any interference, including interference that may cause undesired operation of the device.

L'émetteur/récepteur exempt de licence contenu dans le présent appareil est conforme aux CNR d'Innovation, Sciences et Développement économique Canada applicables aux appareils radio exempts de licence. L'exploitation est autorisée aux deux conditions suivantes:

- (1) L'appareil ne doit pas produire de brouillage;
- (2) L'appareil doit accepter tout brouillage radioélectrique subi, même si le brouillage est susceptible d'en compromettre le fonctionnement.

Labeling Requirements:

This Class B digital apparatus complies with Canadian ICES-003.

Cet appareil numérique de la classe B est conforme à la norme NMB-003 du Canada.

Only for EU markets



This appliance can be used by children aged from 8 years and above and persons with reduced physical, sensory or mental capabilities or lack of experience and knowledge if they have given supervision or instruction concerning the use of the appliance in a safe way and understand the hazards involved.



Children shall not play with the appliance. Cleaning and user maintenance shall not be made by children without supervision.

Only for Non EU markets



Persons who do not have the necessary experience or knowledge of the product/products must not use the product/products. Besides, persons with reduced physical, sensory or mental abilities must not use the product/products, unless they are under surveillance or they have been thoroughly instructed in the use of the apparatus by a person who is responsible for the safety of these persons.



Moreover, children must be under surveillance to ensure that they do not play with the product.

Misuse



Do not overload the actuators – this can cause danger of personal injury and damage to the system.



Do not use the actuator system for lifting persons. Do not sit or stand on a table while operating – risk of personal injury.



Do not use the system in environments other than the intended indoor use.

Informations importantes

Les informations importantes sur les produits Linak® peuvent être trouvées dans les rubriques suivantes:



Attention!

Le non respect de ces instructions peut entraîner des accidents impliquant des blessures graves.



Remarque!

Ne pas suivre ces instructions peut entraîner l'endommagement ou destruction du produit.

Consignes de sécurité

Général

Le non respect de ces instructions peut entraîner des accidents impliquant des blessures graves.

Ne pas suivre ces instructions peut entraîner l'endommagement ou destruction du produit.

L'utilisation en toute sécurité du système n'est possible que si l'intégralité des instructions ont été lues et ont été strictement suivies



Le non respect de se conformer aux instructions marquées du symbole "note" peut entraîner de graves dommages au système ou à un de ses composants.

Il est important pour tout individu qui connecte, installe, ou utilise le système d'avoir les informations nécessaires et l'accès à ce manuel d'utilisation.

Suivez les instructions pour le montage – risque de blessure si ces instructions ne sont pas suivies



L'appareil n'est pas destiné à être utilisé par des enfants ou des personnes handicapées sans surveillance.



S'il y a des dommages visibles sur le produit, l'installation ne doit pas être effectuée.



Prendre en compte lors de la construction du matériel, dans lequel l'actionneur est incorporé, qu'il ne doit y avoir aucune possibilité de blessures corporelles, telles que la compression des doigts ou des bras.



Assurez un espace libre autour du matériel pour éviter tout blocage.

Seulement pour les marchés au sein de l'UE



Cet appareil peut-être utilisé par des enfants âgés de 8 ans et plus, ainsi que les personnes dont les capacités physiques, sensorielles ou mentales sont réduites ou ayant un manque d'expérience et de connaissance si elles ont bénéficié d'une surveillance ou d'instructions concernant l'utilisation de l'appareil en toute sécurité et compris les risques encourus.



Les enfants ne doivent pas jouer avec l'appareil. Le nettoyage et l'entretien ne doivent pas être réalisés par des enfants sans surveillance

Seulement pour les marchés hors UE:



Les personnes qui n'ont pas l'expérience ou les connaissances nécessaires sur le ou les produit(s) ne doivent pas le ou les utiliser. Par ailleurs, les personnes ayant des capacités physiques, sensorielles ou mentales réduites ne doivent pas utiliser le ou les produit(s), sauf si elles sont sous surveillance ou ont suivi une formation approfondie de l'utilisation de l'appareil par l'individu responsable de la sécurité de ces personnes.



De plus, les enfants doivent-être sous surveillance afin de s'assurer qu'ils ne jouent pas avec le produit.

Utilisation abusive



Ne surchargez pas les actionneurs – cela peut engendrer un risque de blessures corporelles et endommager le système.



Ne pas utiliser les actionneurs pour soulever des personnes. Ne pas s'asseoir ou se tenir debout sur une table en fonctionnement – risque de blessures.



Ne pas utiliser le système dans des environnements autres que l'utilisation intérieure prévue.

Repairs

In order to avoid the risk of malfunction, all DESKLINE® repairs must only be carried out by authorised LINAK service centres or repairers, as special tools must be used and special gaskets must be fitted. Products under warranty must also be returned to authorised LINAK service centres.

Further information on DESKLINE warranty can be found on the LINAK website:

www.linak.com/warranty.



Warning!

If any of the DESKLINE® products are opened, there will be a risk of subsequent malfunction.



Warning!

The DESKLINE® systems are not resistant to cutting oil.

Manufacturer's declaration

DECLARATION OF INCORPORATION OF PARTLY COMPLETED MACHINERY

LINAK A/S
Smedevænget 8
DK - 6430 Nordborg

Herewith declares that LINAK DESKLINE® products as characterized by the following models and types:

Control Boxes: CBD6Sa000b0A-c09 (Where -a: can be P, C or H, -b: can be 2, 3 or 4 and -c: can be 0 or 7)

Linear Actuators: LA31

Built in actuator(s): DB5, DB6, DB14,

Lifting Columns: DL1A, DL4S, DL2, DL5, DL6, DL7, DL8, DL9, DL10, DL11, DL12, DL14, DL15, DL16, DL17, DL18, DL19, DL20, DL21

Desk Panels: DPA, DPB, DPH, DPF1K, DPF1M, DPF2K, DPF3K, DPF1C, DPF1D, DPF1U, DPF1W, DPF4T, DPG1K, DPG1M, DPG1B, DPG1C, DPT, DP1V01, DP1CS, DP1K, DP1U, DP2K, DP3K, DPN, DPWA

Accessories: BLE2LIN002, BLE2LIN003, DESK SENSOR 1, USB2LIN, DCCconnector

complies with the following parts of the Machinery Directive 2006/42/EC, ANNEX I, *Essential health and safety requirements relating to the design and construction of machinery*:

- 1.1.2 a) Special use*
- 1.1.2 b) Selection of the most appropriate methods*
- 1.1.2 c) Foreseeable misuse*
- 1.1.2 d) Operator constrains due to the use of personal protective equipment*

1.1.3 Materials and products*

- 1.2.1 Safety and reliability of control systems
- 1.2.2 Control devices. Shape, readability, overview*
- 1.2.3 Starting*
- 1.2.4 Stopping*

- 1.5.1 Electricity supply
- 1.5.10 Radiation. EMC. Emission of electromagnetic radiation, X-rays, γ -rays*
- 1.5.11 External radiation*

*need to be further evaluated in the end product

We confirm that prior to market introduction the relevant technical documentation is compiled in accordance with part B of Annex VII and the assembly instruction pursuant to Annex VI.

This documentation or part hereof will be transmitted by post or electronically to a reasoned request by the national authorities.

The products mentioned in this document are to be combined for use in height adjustable furniture.

This partly completed machinery must not be put into service until the final machinery into which it is to be incorporated has been declared in conformity with the provisions of the Machinery Directive 2006/42/EC where appropriate.

Nordborg, 2020-10-28

LINAK A/S
Dragan Macura
Regulatory Compliance Manager
Deskline and Homeline Segments
Authorized to compile the relevant technical documentation

Original Declaration

DECLARATION OF INCORPORATION OF PARTLY COMPLETED MACHINERY

LINAK A/S
 Smedevænget 8
 DK - 6430 Nordborg

Herewith declares that LINAK DESKLINE® products as characterized by the following models and types:

Master and follower: DLXXXXXXMXXXXXX and DLXXXXXSXXXXXX

Desk Panels: DP1C, DP1K, DPT, DPB, DPF, DP1L, DP1V, DPA, DPH, DP1U, WDPL1, DPG

Power supply: SMPS006, SMPS001

Accessory: KNC1a00bbcddd-eeee, where a can be 0 or 1; bb can be 00 or 01; c can be A, B or C; dddd can be max 1340; and -eeee can be max 1940 or -eeee not used for fixed version. And DLFaab11cddd000, where aa can be 06, 11, or 19; b can be 1 or 2; c can be A, B or D; and ddd can be 560 or 710

complies with the following parts of the Machinery Directive 2006/42/EC, ANNEX I, *Essential health and safety requirements relating to the design and construction of machinery*:

- 1.1.2 a) Special use*
- 1.1.2 b) Selection of the most appropriate methods*
- 1.1.2 c) Foreseeable misuse*
- 1.1.2 d) Operator constraints due to the use of personal protective equipment*

1.1.3 Materials and products*

- 1.2.1 Safety and reliability of control systems
- 1.2.2 Control devices. Shape, readability, overview*
- 1.2.3 Starting*
- 1.2.4 Stopping*

- 1.5.1 Electricity supply
- 1.5.10 Radiation. EMC. Emission of electromagnetic radiation, X-rays, γ -rays*
- 1.5.11 External radiation*

*need to be further evaluated in the end product

We confirm that prior to market introduction the relevant technical documentation is compiled in accordance with part B of Annex VII and the assembly instruction pursuant to Annex VI.

This documentation or part hereof will be transmitted by post or electronically to a reasoned request by the national authorities.

The products mentioned in this document are to be combined for use in height adjustable furniture.

This partly completed machinery must not be put into service until the final machinery into which it is to be incorporated has been declared in conformity with the provisions of the Machinery Directive 2006/42/EC where appropriate.

Nordborg, 2020-12-14

LINAK A/S
 Dragan Macura
 Regulatory Compliance Manager
 Deskline and Homeline Segments
 Authorized to compile the relevant technical documentation

Original Declaration 

EU Declaration of Conformity

LINAK A/S
Smedevænget 8
DK - 6430 Nordborg

hereby declares under our sole responsibility that LINAK DESKLINE® Actuator System, model: **CBD6S**, for use in elevation tables, composed of:

Control Box(s) CBD6Sa000b0A-c09,
(Where -a: can be P, C or H, -b: can be 2, 3 or 4 and -c: can be 0 or 7)

together with an optional combination of:

Linear Actuator(s) **LA31**: 31abcH-defff50S, (Where -a: can be 1, 3, 6 or 7; - b can be from 1 to 8, or A or B; - c can be from 0 to 4; - d can be 0 or 1; - e can be 0 or 1; - fff can be max 500)

Built in actuator(s) **DB5, DB6, DB14**: DBabbcdefghhhiii, (Where: - a: can be 5, 6 or 14,; - b: can be 0, 1, 3, 4 or 9; - c: can be 0, 1, B, L or S; - d: can be 0, 1 or 2; - e: can be 0, A, B or X; - f: can be 0, or A; - g: can be from 0, M, S, E, T or V; - hhh: can be from 000 to 675; - iii: can be from 000 to 630);

Lifting Column(s) **Standard columns**: DLabcdefghhhiii, (Where: - a: can be 1A, 4S, 5, 6, from 8 to 12, from 14 to 21; - b: can be 0, 2, 3, 4 or 5; - c: can be 0, A, B, D, W or x; - d: can be 0, 1, L, R or X; - e: can be A, B, D or X; - f: can be 0, N, M, P or x; - g: can be 0, E, T or V; - hhh: can be from 600 to 1100; - iii: can be from 000 to 785);

DL12: DL12abcdefggghhh (where - a can be A or B; - b can be 0 or E; -c can be 0, L, R or X; - d can be A, B, D or X; - e can be 0 or M; - f can be 0 or E; - ggg can be max 1100; - hhh can be max 785)

DL7: DL73a0b00470645 (where - a can be 0 or R; - b can be A, B, C or D)

DL2: DL2abCdeffggg (where - a can be 3, 6 or 7; - b can be from 0 to 3; - c can be A or B; - d can be 0, F or G; -e can be from 0 to 7; -fff can be from 300 to 500; -ggg can be from 445 to 655)

DF2L: DF2La0000bcP0dddeee (Where -a: can be 05, 06, 18, 19; -b can be 0, V, H; -c can be A, B, D; -ddd can be from 500 to 665; eee can be from 475 to 602)

BASELIFT: BASE1000A0F100100

Desk Panel(s) DPA, DPB, DPH, DPF1K, DPF1M, DPF2K, DPF3K, DPF1C, DPF1D, DPF1U, DPF1W, DPF4T, DPG1K, DPG1M, DPG1B, DPG1C, DPT, DP1V01, DP1CS, DP1K, DP1U, DP2K, DP3K, DPN, DPWA

Accessories BLE2LIN (BLE2LIN002, BLE2LIN003), DESK SENSOR 1, USB2LIN, DCConnector, CHUSB, BA001

Complies with EMC Directive: **2014/30/EU** (OJ L 96, 29.3.2014, p. 79–106) according to following standards:
EN 61000-6-2:2005/AC:2005
EN 61000-6-3:2007/A1:2011/AC:2012

Complies with Low Voltage Directive **2014/35/EU** (OJ L 96, 29.3.2014, p. 357–374) according to the standard:
EN 60335-1:2012+AC:2014+A11:2014+A13:2017+A1:2019 +A14:2019 +A2:2019
EN 62233:2008 + AC:2008

Complies with Directive **2011/65/EU** of the European Parliament and of the Council of 8 June 2011 on the restriction of the use of certain hazardous substances in electrical and electronic equipment (OJ L 174, 1.7.2011, p. 88–110) and Directive **2015/863** (OJ L 137, 4.6.2015, p. 10–12) (amending Annex II to Directive 2011/65/EU) according to the standard:
EN IEC 63000:2018

And the applicable Desk Panels and Accessories complies with the Radio Equipment Directive **2014/53/EU** (OJ L 153, 22.5.2014, p. 62–106) according to the standards listed in the RED DoC for the individual radio products.

Other specification:

The system does also comply with the standard: EN 61000-6-2:2019 and
EN 13849-1:2015 SRP/CS Cat. B, PL = b and SRESW PL = b
Note 1: Exempted CBD6S with SW03003007 printed on the label.

Nordborg, 2022-05-20

LINAK A/S
Dragan Macura
Regulatory Compliance Manager
Deskline and Homeline Segments
Authorized to compile the relevant technical documentation

Original Declaration

Use the DPI in an environment with temperature between -10 and +50 °C. Otherwise, the DPI may be damaged. It can be operated at altitudes up to 2000 m.

Hereby, LINAK A/S declares that the radio equipment type DPI is compliant with Directive 2014/53/EU.



The equipment is a Bluetooth® Adapter powered by 9 V DC or 18 V input charged by an RJ45 port.

Operating Frequency Range:
Bluetooth® 2402 - 2480 MHz

The maximum RF Output Power:
-9.81 dBm EIRP

UK Declaration of Conformity

LINAK A/S
Smedevænget 8
DK - 6430 Nordborg

hereby declares under our sole responsibility that the LINAK Actuator System for DESKLINE composed of:

Control Box(s)	CBD6Sa000b0A-c09, (Where -a: can be P, C or H, -b: can be 2, 3 or 4 and -c: can be 0 or 7)
And Linear Actuator(s)	LA31: 31abcH-defff50S, (Where -a: can be 1, 3, 6 or 7; - b can be from 1 to 8, or A or B; - c can be from 0 to 4; - d can be 0 or 1; - e can be 0 or 1; - fff can be max 500)
Built in actuator(s)	DB5, DB6, DB14: DBabbcdefghhhii, (Where: - a: can be 5, 6 or 14; - b: can be 0, 1, 3, 4 or 9; - c: can be 0, 1, B, L or S; - d: can be 0, 1 or 2; - e: can be 0, A, B or X; - f: can be 0, or A; - g: can be from 0, M, S, E, T or V; - hhh: can be from 000 to 675; - iii: can be from 000 to 630);
Lifting Column(s)	Standard columns: DLabcdeffghhhii, (Where: - a: can be 1A, 4S, 5, 6, from 8 to 12, from 14 to 21; - b: can be 0, 2, 3, 4 or 5; - c: can be 0, A, B, D, W or x; - d: can be 0, 1, L, R or X; - e: can be A, B, D or X; - f: can be 0, N, M, P or x; - g: can be 0, E, T or V; - hhh: can be from 600 to 1100; - iii: can be from 000 to 785); DL12: DL12abcdeffggghh (where - a can be A or B; - b can be 0 or E; - c can be 0, L, R or X; - d can be A, B, D or X; - e can be 0 or M; - f can be 0 or E; - ggg can be max 1100; - hhh can be max 785) DL7: DL73a0b00470645 (where - a can be 0 or R; - b can be A, B, C or D) DL2: DL2abCddeffggg (where - a can be 3, 6 or 7; - b can be from 0 to 3; - c can be A or B; - d can be 0, F or G; - e can be from 0 to 7; - fff can be from 300 to 500; - ggg can be from 445 to 655) DF2L: DF2La0000bcP0dddeee (Where -a: can be 05, 06, 18, 19; -b can be 0, V, H; -c can be A, B, D; -ddd can be from 500 to 665; eee can be from 475 to 602) BASELIFT: BASE1000A0F100100
Desk Panel(s)	DPA, DPB, DPH, DPF1K, DPF1M, DPF2K, DPF3K, DPF1C, DPF1D, DPF1U, DPF1W, DPF4T, DPG1K, DPG1M, DPG1B, DPG1C, DPT, DP1V01, DP1CS, DP1K, DP1U, DP2K, DP3K, DPN, DPWA
Accessories	BLE2LIN (BLE2LIN002, BLE2LIN003), DESK SENSOR 1, USB2LIN, DCCconnector, CHUSB, BA001

Complies with **Electromagnetic Compatibility Regulations 2016** according to following standards:
BS EN 61000-6-2:2005/AC:2005
BS EN 61000-6-3:2007/A1:2011/AC:2012

Complies with **Electrical Equipment (Safety) Regulations 2016** according to the standard:
BS EN 60335-1:2012+AC:2014+A11:2014+A13:2017+A1:2019 +A14:2019 +A2:2019
BS EN 62233:2008 + AC:2008

Complies with **The Restriction of the Use of Certain Hazardous Substances in Electrical and Electronic Equipment Regulations 2012** according to the standard:
BS EN IEC 63000:2018

And the applicable Desk Panels and Accessories complies with the **Radio Equipment Regulations 2017** according to the standards listed in the UK DoC for the individual radio products.

Additional information:

The system does also comply with the standard: BS EN 61000-6-2:2019 and
BS EN 13849-1:2015 SRP/CS Cat. B, PL = b and SRESW PL = b
Note 1: Exempted CBD6S with SW03003007 printed on the label.

Nordborg, 2022-05-20

LINAK A/S
Dragan Macura
Regulatory Compliance Manager
Deskline and Homeline Segments
Authorized to compile the relevant technical documentation

Original Declaration 

Use the DPI in an environment with temperature between -10 and +50 °C. Otherwise, the DPI may be damaged. It can be operated at altitudes up to 2000 m.

Hereby, LINAK A/S declares that the radio equipment type DPI is compliant with [Directive 2014/53/EU](#).



The equipment is a Bluetooth® Adapter powered by 9 V DC or 18 V input charged by an RJ45 port.

Operating Frequency Range:
Bluetooth® 2402 - 2480 MHz

The maximum RF Output Power:
-9.81 dBm EIRP

Miscellaneous on the DESKLINE® system

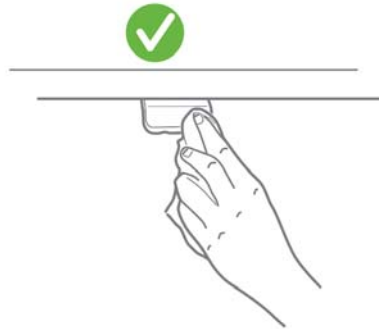
Maintenance

Clean dust and dirt from the outside of the system at appropriate intervals and inspect for damage and breaks.

Inspect connections, cables, and plugs without disconnecting, and check functioning as well as fixing points.

Cleaning the desk panel

Clean your desk panel with a soft damp cloth. Universal cleaning detergents may be used.



For disinfection of the desk panel, use a 70 percent isopropyl alcohol either as a wipe or add a small amount to a soft cloth.



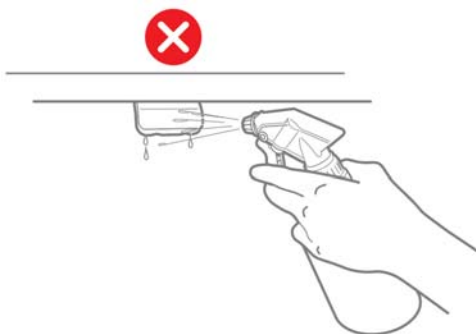
The de:

d there are electr...

If liquids or moisture enter an opening, the PCB may be damaged, and the desk panel ruined.

Thus:

- Avoid moisture penetrating any openings as this may damage the PCB inside the desk panel
- Avoid spraying the cleaning agent or disinfectant directly on the desk panel as moisture may penetrate openings damaging the PCB inside the desk panel



- Cleaning agents and disinfectants must not be highly alkaline or acidic (pH value must be 6 to 8), and they must not contain bleach or chlorine
- Do not use hand sanitizer gel as a cleaning agent

ETL-marking

Due to space limitations, the complete ETL-marking demands are not represented on the marking plates. The full ETL Recognized Component markings are shown here.



C/N 120690

Conforms to ANSI/AAMI Std. E560601-1
Cert. to CSA Std. C22.2 No. 60601-1

ETL Recognized Component mark for Canada and United States



C/N 4008003

Conforms to ANSI/AAMI Std. E560601-1
Cert. to CSA Std. C22.2 No. 60601-1

ETL Recognized Component mark for Canada and United States



C/N 4008004

Conforms to ANSI/AAMI Std. E560601-1
Cert. to CSA Std. C22.2 No. 60601-1

ETL Recognized Component mark for Canada and United States



C/N 9901916

Conforms to ANSI/AAMI Std. E560601-1
Cert. to CSA Std. C22.2 No. 60601-1

ETL Recognized Component mark for Canada and United States



C/N 4008671

Conforms to UL962
Cert. to CSA Std. C22.2 No. 68-09

ETL Recognized Component mark for Canada and United States

Products

DPI



Simple version

- Up/down drive
- Integrated Desk Sensor



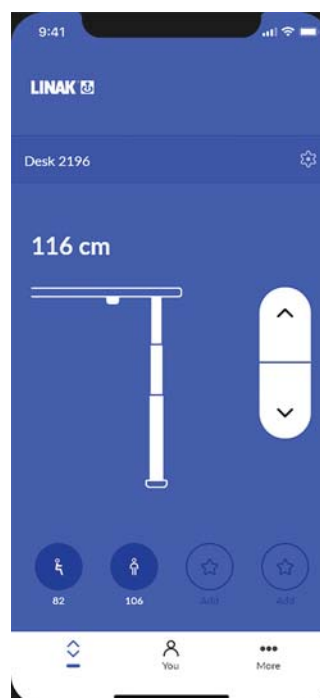
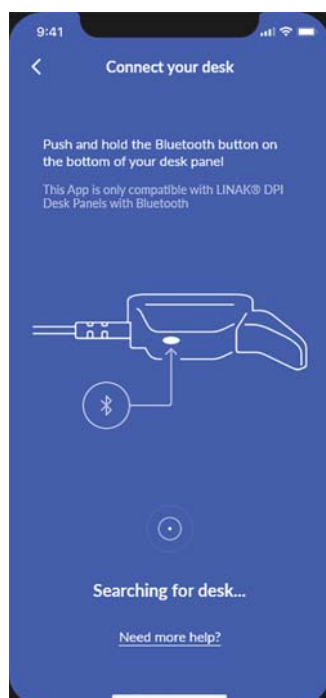
Advanced version

- Up/down drive
- Integrated Desk Sensor
- Display
- Bluetooth® for pairing with app

Desk Connect App

Intuitive onboarding

- Pair to desk
- Set your favourite standing and sitting positions
- Choose automatic drive between stored position



Installation

Placing the DPi

The drawings below are side view examples on how to position the DPi proportionally to the edge of the tabletop.

1. Place DPi so it is easy to operate and display is in a visible position (only advanced version).

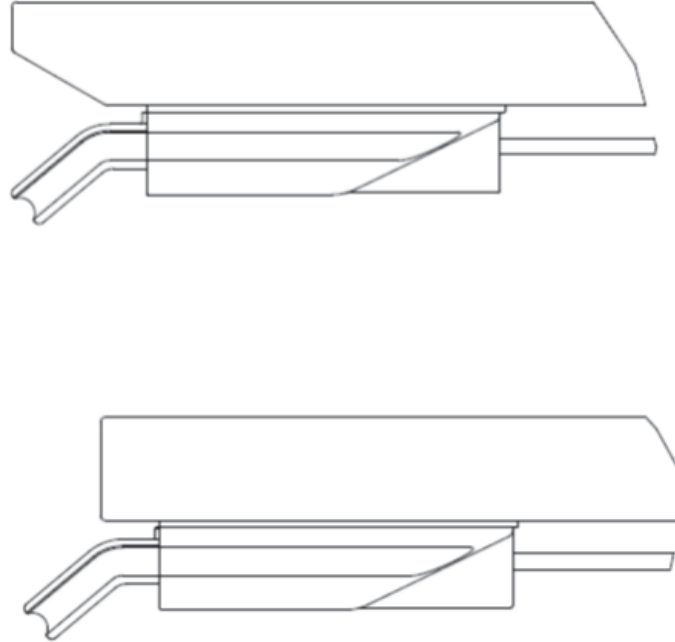


Figure 1 Alignment in proportion to tabletop edge

Mounting the DPi

The DPi series consists of two different desk panels in one size.

We recommend predrilling the holes for the DPi to ensure the same aligned position for all desks.

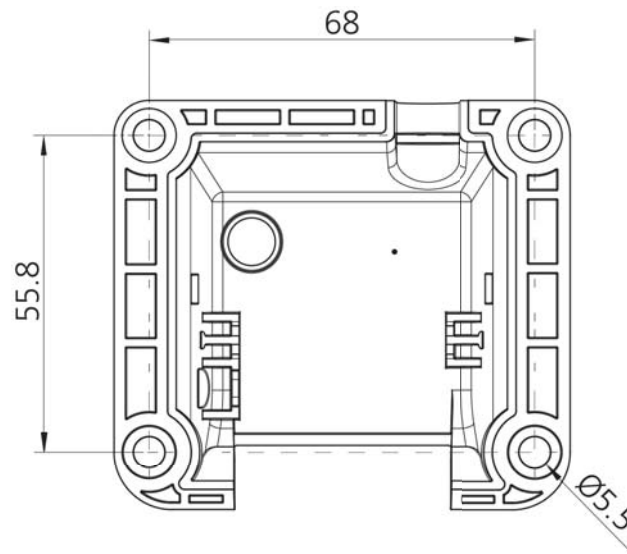


Figure 2 Hole pattern of the DPi

1. Predrill holes.

If no holes are predrilled, a bulge of wood might occur between the tabletop and the DPi – which causes the DPi not to be tightened sufficiently to the tabletop. This might lead to incorrect functionality of the DPi.

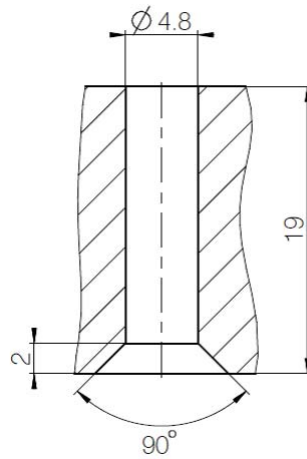
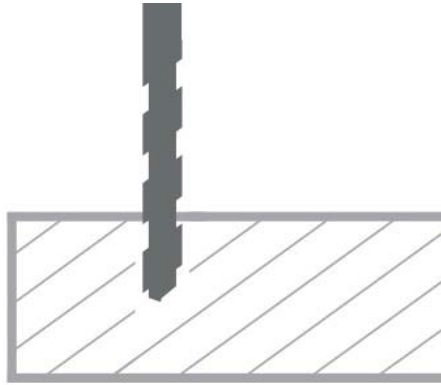
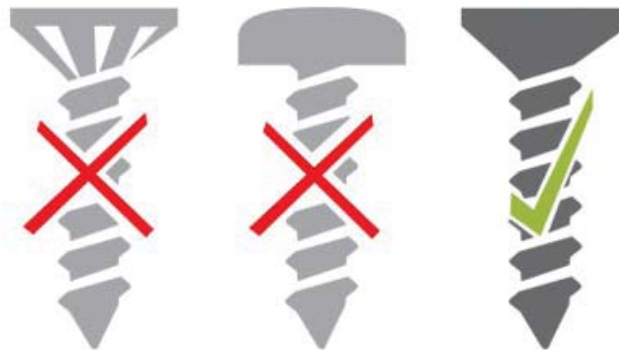


Figure 3 DPi - Max. screw length: 19 mm + thickness of the tabletop

2. Use correct screws.

Mount the DPG to the tabletop using screws with the following specifications:

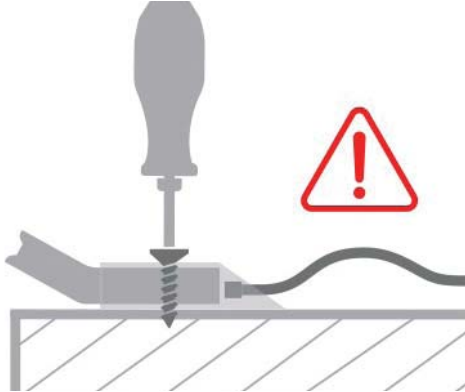
- Ø4.5 mm
- 90° countersink screw



Do not use screws with a milling head as they will cut into the housing of the DPG.

The screws must be fastened sufficiently without being overtightened. It is not possible to mention a specific torque as this depends on the type of screw, the material of tabletop and whether there are predrilled holes or not.

3. Do not overtighten screws.
The screws must be fastened sufficiently, but without damaging the plastic.



4. Mount DPI and make sure that cable is not tightened too much.
When mounting the DPI, it is important to ensure that the cable is not tightened but has free mobility in the first centimetres from the housing. We recommend attaching the cable to the tabletop with a clip as shown below.



Operation

Simple version

Operate the desk panel by tilting it.

1. Tilt and hold up DPi to drive desk up, press and hold down DPi to drive desk down.
2. Release DPi when you have reached your requested position.

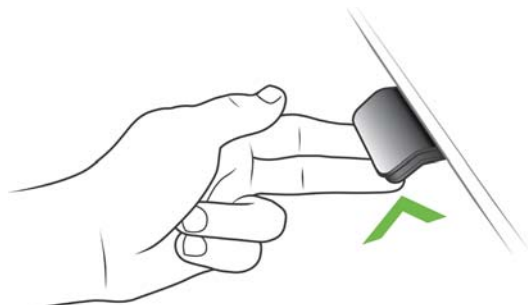


Figure 4 Tilt and hold the DPi to drive the desk up



Figure 5 Press and hold the DPi to drive the desk down

Advanced version

Display

The DPi advanced version has an OLED display, which shows for example the height during drive of the desk and error codes.

Bluetooth® button

The DPi has a Bluetooth button on the bottom side for connection to the Desk Connect™ App.



Figure 6 DPi Advanced with Bluetooth button

Desk Connect™ App

The app is called “Desk Connect” and has the following app logo in iTunes and Apple App store and in Google Play store:



How to download the app for iOS:

Step 1: Use your iPhone or iPad to log into Apple App Store

Step 2: Type “Desk Connect” in the search column

Step 3: Select the “Desk Connect” app

Step 4: Click install to download the app to your device

You can also scan this QR code to reach the Apple App Store:



How to download the app for Android:

Step 1: Use your Android device to log into Google Play Store

Step 2: Type “Desk Control” in the search column

Step 3: Select the “Desk Control” app

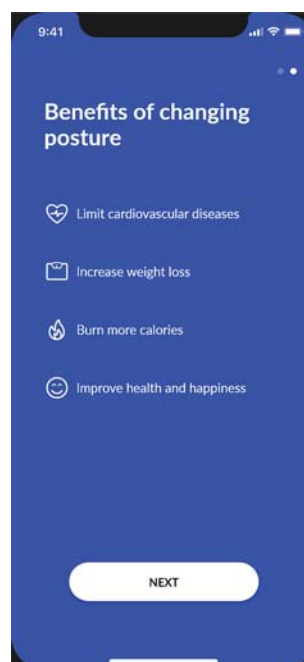
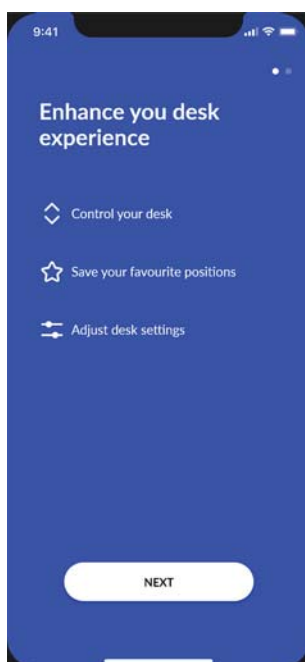
Step 4: Click install to download the app to your device

You can also scan this QR code to reach the Google Play Store:



Getting started

When you open the app, a list of options available in the app is displayed. If you swipe to the left on your smart device, a list of benefits of changing posture during the day displays.



Press "NEXT" on either screen.

For Android only:

Enable GPS location to allow the app to scan for Bluetooth® devices. If not done, the app will not be able to detect desks nearby in pairing mode and thus not work.

Disposal of LINAK products

As our customers often ask us how our products can be disposed of or scrapped we have prepared this guidance that enables a classification to different waste fractions for recycling or combustion.

Guidance

We recommend that our products be disassembled as much as possible and divided into different waste groups for recycling or combustion.

For example, waste can be sorted into metals, plastics, cable scrap, combustible material and recoverable resources.

Some of these main groups can be further divided into subgroups; e.g. metal can be divided into steel/aluminium/copper and plastic can be divided into ABS/PA/PE/PP.

As an example, the table below breaks down the different components in LINAK products to various recycling groups:

Product	Components	Recycling group
Handset/Control:	Plastic housing Cable PCB board	Plastic recycling or combustion Cable scrap or combustion Electronics scrap

By now, almost all our casted plastic parts are supplied with an interior code for plastic type and fibre contents, if any.

Main groups of disposal

Product main groups	Metal scrap	Cable scrap	Electronics scrap	Plastic recycling or combustion	Comments
Bluetooth® Adapter			X	X	
DPG		X	X	X	

Disposal of batteries

Details regarding safe disposal of used and leaking batteries:

Batteries should be disposed in accordance with appropriate federal, state and local regulations. LINAK recommends that used or leaking batteries are disposed through local recycling system. Please do not throw used or leaking batteries in normal household waste or in nature. This will cause damage to the environment.

How to deal with leaking batteries

Leaking batteries should be disposed as described above.

If leaking batteries are discovered in the product, the batteries must be removed at once to minimise damage to the product.

If leaking batteries are left in the product, it becomes defective.

It is recommended to use plastic gloves when handling leaking batteries. The contents of leaking batteries can cause chemical burns and respiratory irritation.

If exposed to the contents of a leaking battery, please wash with soap and water. If irritation persists, please seek medical attention. In case of eye contact, please flush eyes thoroughly with water for 15 minutes and seek medical attention.

Dimensional drawings

LINAK application policy

The purpose of the application policy is to define areas of responsibilities in relation to applying a LINAK product defined as hardware, software, technical advice, etc. related to an existing or new customer application.

LINAK products as defined above are applicable for a wide range of applications within the Medical, Furniture, Desk and Industry areas. Yet, LINAK cannot know all the conditions under which LINAK products will be installed, used, and operated, as each individual application is unique.

The suitability and functionality of the LINAK product and its performance under varying conditions (application, vibration, load, humidity, temperature, frequency, etc.) can only be verified by testing, and shall ultimately be the responsibility of the LINAK customer using any LINAK product.

LINAK shall be responsible solely that the LINAK products comply with the specifications set out by LINAK and it shall be the responsibility of the LINAK customer to ensure that the specific LINAK product can be used for the application in question.

FACTORIES**DENMARK - HEADQUARTERS**

LINAK A/S
 PHONE: +45 73 15 15 15
 FAX: +45 74 45 80 48
 FAX (SALES): +45 73 15 16 13
 WWW.LINAK.COM

CHINA

LINAK (SHENZHEN) ACTUATOR SYSTEMS, LTD.
 PHONE: +86 755 8610 6656
 PHONE: +86 755 8610 6990
 WWW.LINAK.CN

SLOVAKIA

LINAK SLOVAKIA S.R.O.
 PHONE: +421 51 7563 444
 WWW.LINAK.SK

THAILAND

LINAK APAC LTD.
 PHONE: +66 33 265 400
 WWW.LINAK.COM

USA

LINAK U.S. INC.
 AMERICAS HEADQUARTERS
 PHONE: +1 502 253 5595
 FAX: +1 502 253 5596
 WWW.LINAK-US.COM
 WWW.LINAK-LATINAMERICA.COM

SUBSIDIARIES**Australia**

LINAK Australia Pty. Ltd
 Phone: +61 3 8796 9777
 Fax: +61 3 8796 9778
 E-mail: sales@linak.com.au
 www.linak.com.au

Austria

LINAK Repräsentanz - Österreich (Wien)
 Phone: +43 (1) 890 7446
 Fax: +43 (1) 890 744615
 E-mail: info@linak.de
 www.linak.at - www.linak.hu

Belgium

LINAK Actuator-Systems NV/SA
 (Belgium & Luxembourg)
 Phone: +32 (0)9 230 01 09
 E-mail: beinfo@linak.be
 www.linak.be - www.fr.linak.be

Brazil

LINAK Do Brasil Comércio De Atuadores Ltda.
 Phone: +55 (11) 2832 7070
 Fax: +55 (11) 2832 7060
 E-mail: info@linak.com.br
 www.linak.com.br

Canada

LINAK Canada Inc.
 Phone: +1 502 253 5595
 Fax: +1 416 255 7720
 E-mail: info@linak.ca
 www.linak-us.com

Czech Republic

LINAK C&S s.r.o.
 Phone: +42 058 174 1814
 Fax: +42 058 170 2452
 E-mail: info@linak.cz
 www.linak.cz - www.linak.sk

Denmark - International

LINAK International
 Phone: +45 73 15 15 15
 E-mail: info@linak.com
 www.linak.com

Denmark - Sales

LINAK DANMARK A/S
 Phone: +45 86 80 36 11
 Fax: +45 86 82 90 51
 E-mail: linak@linak-silkeborg.dk
 www.linak.dk

Finland

LINAK OY
 Phone: +358 10 841 8700
 E-mail: linak@linak.fi
 www.linak.fi

France

LINAK FRANCE E.U.R.L
 Phone: +33 (0) 2 41 36 34 34
 Fax: +33 (0) 2 41 36 35 00
 E-mail: linak@linak.fr
 www.linak.fr

Germany

LINAK GmbH
 Phone: +49 6043 9655 0
 Fax: +49 6043 9655 60
 E-mail: info@linak.de
 www.linak.de

India

LINAK A/S India Liaison Office
 Phone: +91 120 4531797
 Fax: +91 120 4786428
 E-mail: info@linak.in
 www.linak.in

Ireland

LINAK UK Limited (Ireland)
 Phone: +44 (0)121 544 2211
 Fax: +44 (0)121 544 2552
 +44 (0)796 855 1606 (UK Mobile)
 +35 387 634 6554

(Republic of Ireland Mobile)
 E-mail: sales@linak.co.uk
 www.linak.co.uk

Italy

LINAK ITALIA S.r.l.
 Phone: +39 02 48 46 33 66
 Fax: +39 02 48 46 82 52
 E-mail: info@linak.it
 www.linak.it

Japan

LINAK K.K.
 Phone: 81-45-533-0802
 Fax: 81-45-533-0803
 E-mail: linak@linak.jp
 www.linak.jp

Malaysia

LINAK Actuators Sdn. Bhd.
 Phone: +60 4 210 6500
 Fax: +60 4 226 8901
 E-mail: info@linak-asia.com
 www.linak.my

Netherlands

LINAK Actuator-Systems B.V.
 Phone: +31 76 5 42 44 40 /
 +31 76 200 11 10
 E-mail: info@linak.nl
 www.linak.nl

New Zealand

LINAK New Zealand Ltd
 Phone: +64 9580 2071
 Fax: +64 9580 2072
 E-mail: nzsales@linak.com.au
 www.linak.com.au

Norway

LINAK Norge AS
 Phone: +47 32 82 90 90
 E-mail: info@linak.no
 www.linak.no

Poland

LINAK Polska
 LINAK Danmark A/S (Spółka Akcyjna)
 Phone: +48 22 295 09 70 /
 +48 22 295 09 71
 E-mail: info@linak.pl
 www.linak.pl

Republic of Korea

LINAK Korea Ltd.
 Phone: +82 2 6231 1515
 Fax: +82 2 6231 1516
 E-mail: info@linak.kr
 www.linak.kr

Slovakia

LINAK SLOVAKIA S.R.O.
 Phone: +421 51 7563 444
 www.linak.sk

Spain

LINAK Actuadores, S.L.U
 Phone: +34 93 588 27 77
 Fax: +34 93 588 27 85
 E-mail: esma@linak.es
 www.linak.es

Sweden

LINAK Scandinavia AB
 Phone: +46 8 732 20 00
 Fax: +46 8 732 20 50
 E-mail: info@linak.se
 www.linak.se

Switzerland

LINAK AG
 Phone: +41 43 388 31 88
 Fax: +41 43 388 31 87
 E-mail: info@linak.ch
 www.linak.ch - www.fr.linak.ch
 www.it.linak.ch

Taiwan

LINAK (Shenzhen) Actuator systems Ltd.
 Taiwan Representative office
 Phone: +886 2 272 90068
 Fax: +886 2 272 90096
 E-mail: sales@linak.com.tw
 www.linak.com.tw

Turkey

LINAK İth. İhr. San. ve Tic. A.Ş.
 Phone: +90 312 4726338
 Fax: +90 312 4726635
 E-mail: info@linak.com.tr
 www.linak.com.tr

United Kingdom

LINAK UK Limited
 Phone: +44 (0)121 544 2211
 Fax: +44 (0)121 544 2552
 E-mail: sales@linak.co.uk
 www.linak.co.uk

DISTRIBUTORS**Argentina**

NOVOTEC ARGENTINA SRL
 Phone: 011-4303-8989 / 8900
 Fax: 011-4032-0184
 E-mail: info@novotecargentina.com
 www.novotecargentina.com

Colombia

MEM Ltda
 Phone: +[57] (1) 334-7666
 Fax: +[57] (1) 282-1684
 E-mail: servicioalcliente@memltda.com.co
 www.mem.net.co

India

Mechatronics Control Equipments India Pvt Ltd
 Phone: +91-44-2858484, 85
 E-mail: bala@mechatronicscontrol.com
 www.mechatronicscontrol.com

Indonesia

PT. HIMALAYA EVEREST JAYA
 Phone: +6 221 544 8956,
 +6 221 544 8965
 Fax: +6 221 619 1925
 Fax (Sales): +6 221 619 4658
 E-mail: hejplastic-div@centrin.net.id
 www.hej.co.id

Israel

NetivTech LTD
 Phone: +972 55-2266-535
 Fax: +972 2-9900-560
 Email: info@NetivTech.com
 www.netivtech.com

Singapore

Servo Dynamics Pte Ltd
 Phone: +65 6844 0288
 Fax: +65 6844 0070
 E-mail: servodynamics@servo.com.sg

South Africa

Industrial Specialised Applications CC
 Phone: +27 011 466 0346
 E-mail: gartht@isagroup.co.za
 www.isaza.co.za

United Arab Emirates

Mechatronics
 Phone: +971 4 267 4311
 Fax: +971 4 267 4312
 E-mail: mechtron@emirates.net.ae