



# DL8IC, DL9IC, DL10IC and DL11IC system User manual

# Contents

<b>Preface</b> .....	3
<b>Important information</b> .....	4
<b>Safety instructions</b> .....	4
Safety issues .....	6
Before installation, reinstallation or troubleshooting.....	7
Before start-up .....	7
During operation .....	7
Misc .....	7
<b>Only for EU markets</b> .....	7
<b>Only for Non EU markets</b> .....	8
<b>Misuse</b> .....	8
<b>Informations importantes</b> .....	9
<b>Consignes de sécurité</b> .....	9
<b>Seulement pour les marchés au sein de l'UE</b> .....	10
<b>Seulement pour les marchés hors UE</b> .....	10
<b>Utilisation abusive</b> .....	10
<b>Repairs</b> .....	10
<b>Declaration of incorporation of partly completed machinery</b> .....	11
<b>Misc. on the DESKLINE® DL8IC/DL9IC/DL10IC/DL11IC system</b> .....	12
Warranty .....	12
Maintenance .....	12
<b>ETL-marking</b> .....	12
<b>Description of the DESKLINE® system</b> .....	13
Mounting guidelines for the DL8IC/DL9IC/DL10IC/DL11IC (motor housing) .....	14
Mounting guidelines for the DL8IC/DL9IC (foot part) .....	14
Mounting guidelines for the DL10IC (foot part).....	14
Mounting guidelines for the DL11IC (foot part).....	15
<b>PIEZO™ : description of the feature</b> .....	19
<b>Desk Control Apps</b> .....	20
<b>Accessories and repair</b> .....	20
<b>Disposal of LINAK products</b> .....	21
<b>Labels</b> .....	22
<b>Drawing appendix</b> .....	20
<b>Declaration of conformity</b> .....	29
<b>LINAK application policy</b> .....	30
<b>Addresses</b> .....	31

# Preface

Dear User,

We are delighted that you have chosen a product from LINAK®.

LINAK systems are high-tech products based on many years of experience in the manufacture and development of actuators, electric control boxes, controls and chargers.

This User Manual does not address the end-user. It is intended as a source of information for the manufacturer of the equipment or system only, and it will tell you how to install, use and maintain your LINAK electronics. It is the responsibility of the manufacturer of the end-use product to provide a User Manual where relevant safety information from this manual is passed on to the end-user.

We are sure that your LINAK product/system will give you many years of problem-free operation. Before our products leave the factory they undergo full function and quality testing. Should you nevertheless experience problems with your LINAK product/system, you are always welcome to contact your local dealer.

LINAK subsidiaries and some distributors situated all over the world have authorised service centres, which are always ready to help you.

LINAK provides a warranty on all its products. This warranty, however, is subject to correct use in accordance with the specifications, maintenance being done correctly and any repairs being carried out at a service centre, which is authorised to repair LINAK products.

Changes in installation and use of LINAK products/systems can affect their operation and durability. The products are not to be opened by unauthorised personnel.

The User Manual has been written based on our present technical knowledge. We are constantly working on updating the information and we therefore reserve the right to carry out technical modifications.

**LINAK A/S**

## Important information

Important information on LINAK® products can be found under the following headings:



### Warning!

Failure to comply with these instructions may result in accidents involving serious personal injury.



Failing to follow these instructions can result in the product being damaged or being destroyed.

---

## Safety instruction



### General

Safe use of the system is possible only when the operating instructions are read completely and the instructions contained are strictly observed.

Failure to comply with instructions marked with the "NOTE" symbol may result in serious damage to the system or one of its components.



It is important for everyone who is to connect, install, or use the systems to have the necessary information and access to this User Manual. Follow the instructions for mounting – risk of injury if these instructions are not followed.



The appliance is not intended for use by young children or infirm persons without supervision.



If there is visible damage on the product it must not be installed.



Note that during construction of applications, in which the actuator is to be fitted, there must be no possibility of personal injury, for example the squeezing of fingers or arms.



Only the power supply type SMPS001, SMPS002 or SMPS006, shall be used with the system.

The power supply shall not be covered while operating to allow sufficient cooling of this appliance.

...to be continued

Furthermore take care about the connecting wires from the power supply to the DL8IC/DL9IC/DL10IC/DL11IC system, don't damage this by overrun.



Assure free space for movement of application in both directions to avoid blockade.



The appliance is only to be used with the power supply unit provided with the appliance.

---

**This device complies with part 15 of the FCC Rules. Operation is subject to the following two conditions:**

- (1) This device may not cause harmful interference, and**
- (2) This device must accept any interference received, including interference that may cause undesired operation**

- **Statement – for all intentional and unintentional radiators:**

Changes or modifications not expressly approved by the party responsible for compliance could void the user's authority to operate the equipment.



- **Statement for digital devices for Class B:**

NOTE: This equipment has been tested and found to comply with the limits for a Class B digital device, pursuant to part 15 of the FCC Rules. These limits are designed to provide reasonable protection against harmful interference in a

residential installation. This equipment generates, uses and can radiate radio frequency energy and, if not installed and used in accordance with the instructions it may cause harmful interference to radio communications. However, there is no guarantee that interference will not occur in a particular installation. If this equipment does cause harmful interference to radio or television reception, which can be determined by turning the equipment off and on, the user is encouraged to try to correct the interference by one or more of the following measures:

- Reorient or relocate the receiving antenna.
  - Increase the separation between the equipment and the receiver.
  - Connect the equipment into an outlet on a circuit different from that to which the receiver is connected.
  - Consult the dealer or an experienced radio/ TV technician for help.
- 

## Safety issues

-  The builder of the equipment shall ensure that the use of the component complies with relevant standards – like the Machine Directive. Care must be taken to avoid squeezing of cables as it can cause movement of the system! The SMPS001/SMPS002/SMPS006 must not be packed in heat insulating material, but must be placed so that it can emit waste heat to the surroundings. There are no ventilation holes to consider, the SMPS emits heat through its surface.
-  Only the power supply type SMPS001, SMPS002 or SMPS006, shall be used with the system.

## **Before installation, re-installation, or troubleshooting:**

- Stop the DL.
- Switch off the power supply and pull out the mains plug.
- Relieve the DL of any loads, which may be released during the work.

## **Before start-up:**

- Make sure that the system has been installed as instructed in this User Manual.
- Make sure that the voltage of the control box is correct before the system is connected to the mains.
- System connection. The individual parts must be connected before the control box is connected to the mains. See the User Manual for LINAK actuators, if necessary.

## **During operation**

- If the column makes unusual noise or smells, switch off the mains voltage immediately.
- Take care that the cables are not damaged.
- Unplug the mains cable on mobile equipment before it is moved.
- The products must only be used in an environment, that corresponds to their IP protection.

## **Misc.**

The actuator system has a sound level below 55dB(A) in typical applications. Updated manuals and declarations can always be found here:  
[www.linak.com/deskline](http://www.linak.com/deskline)

## **Only for EU markets**



This appliance can be used by children aged from 8 years and above and persons with reduced physical, sensory or mental capabilities or lack of experience and knowledge if they have given supervision or instruction concerning use of the appliance in a safe way and understand the hazards involved.



Children shall not play with the appliance. Cleaning and user maintenance shall not be made by children without supervision.

### **Only for Non EU markets**



Persons who do not have the necessary experience or knowledge of the product/products must not use the product/products. Besides, persons with reduced physical, sensory or mental abilities must not use the product/ products, unless they are under surveillance or they have been thoroughly instructed in the use of the apparatus by a person who is responsible for the safety of these persons.



Moreover, children must be under surveillance to ensure that they do not play with the product.



It is the operator's responsibility to ensure that there is free space for the application to move without risk for the operator or bystanders before operating the application.

### **Misuse**



Do not overload the actuators – this can cause danger of personal injury and damage to the system.



Do not use the actuator system for lifting persons. Do not sit or stand on a table while operating – risk of personal injury.



Do not use the system in environments other than the intended indoor use.

---

This device complies with Industry Canada licence-exempt RSS standard(s).

Operation is subject to the following two conditions:

(1) this device may not cause interference, and (2) this device must accept any interference, including interference that may cause undesired operation of the device.

Le présent appareil est conforme aux CNR d'Industrie Canada applicables aux appareils radio exempts de licence. L'exploitation est autorisée aux deux conditions suivantes :

- (1) l'appareil n' doit pas produire de brouillage, et
- (2) l'utilisateur de l'appareil doit accepter tout brouillage radioélectrique subi, même si le brouillage est susceptible d'en compromettre le fonctionnement.



## Labeling Requirements:

This Class B digital apparatus complies with Canadian ICES-003.

Cet appareil numérique de la classe B est conforme à la norme NMB-003 du Canada.

## Informations importantes

Les informations importantes sur les produits LINAK® peuvent être trouvées dans les rubriques suivantes:



### Attention!

Le non respect de ces instructions peut entraîner des accidents impliquant des blessures graves.



Ne pas suivre ces instructions peut entraîner l'endommagement ou destruction du produit.

---

## Consignes de sécurité



## Général

Le non respect de ces instructions peut entraîner des accidents impliquant des blessures graves.

Ne pas suivre ces instructions peut entraîner l'endommagement ou destruction du produit. L'utilisation en toute sécurité du système n'est possible que si l'intégralité des instructions ont été lues et ont été strictement suivies.



Le non respect de se conformer aux instructions marquées du symbole "note" peut entraîner de graves dommages au système ou à un de ses composants.

Il est important pour tout individu qui connecte, installe, ou utilise le système d'avoir les informations nécessaires et l'accès à ce manuel d'utilisation.

Suivez les instructions pour le montage – risque de blessure si ces instructions ne sont pas suivies.



L'appareil n'est pas destiné à être utilisé par des enfants ou des personnes handicapées sans surveillance.



S'il y a des dommages visibles sur le produit, l'installation ne doit pas être effectuée.



Prendre en compte lors de la construction du matériel, dans lequel l'actionneur est incorporé, qu'il ne doit y avoir aucune possibilité de blessures corporelles, telles que la compression des doigts ou des bras.



Assurez un espace libre autours du materiel pour éviter tout blocage.

### **Seulement pour les marchés au sein de l'UE:**



Cet appareil peut-être utilisé par des enfants âgés de 8 ans et plus, ainsi que les personnes dont les capacités physiques, sensorielles ou mentales sont réduites ou ayant un manque d'expérience et de connaissance si elles ont bénéficié d'une surveillance ou d'instructions concernant l'utilisation de l'appareil en toute sécurité et compris les risques encourus.



Les enfants ne doivent pas jouer avec l'appareil. Le nettoyage et l'entretien ne doivent pas être réalisés par des enfants sans surveillance.

### **Seulement pour les marchés hors UE.**



Les personnes qui n'ont pas l'expérience ou les connaissances nécessaires sur le ou les produit(s) ne doivent pas le ou les utiliser. Par ailleurs, les personnes ayant des capacités physiques, sensorielles ou mentales réduites ne doivent pas utiliser le ou les produit(s), sauf si elles sont sous surveillance ou ont suivi une formation approfondie de l'utilisation de l'appareil par l'individu responsable de la sécurité de ces personnes.



De plus, les enfants doivent-être sous surveillance afin de s'assurer qu'ils ne jouent pas avec le produit.

### **Utilisation abusive:**



Ne surchargez pas les actionneurs – cela peut engendrer un risque de blessures corporelles et endommager le système.



Ne pas utiliser les actionneurs pour soulever des personnes. Ne pas s'asseoir ou se tenir debout sur une table en fonctionnement – risque de blessures.



Ne pas utiliser le système dans des environnements autres que l'utilisation intérieure prévue.

### **Repairs**

In order to avoid the risk of malfunction, all DESKLINE® repairs must only be carried out by authorised LINAK workshops or repairers, as special tools must be used and special gaskets must be fitted. Lifting units under warranty must also be returned to authorised LINAK workshops.

**Warning!**

If any of the DESKLINE<sup>®</sup> products are opened, there will be a risk of subsequent malfunction.

**Warning!**

The DESKLINE<sup>®</sup> systems do not withstand cutting oil.

---

**DECLARATION OF INCORPORATION OF PARTLY COMPLETED MACHINERY**

**LINAK A/S**  
Smedevænget 8  
DK - 6430 Nordborg

Herewith declares that LINAK DESKLINE<sup>®</sup> products as characterized by the following models and types:

Control Boxes	CBD6S
Linear Actuators	DB5, DB6, DB7, DB9, DB12, DB14, DB16, LA23, LA31
Lifting Columns	DL1A, DL2, DL4S, DL5, DL6, DL7, DL8, DL9, DL10, DL11, DL12, DL14, DL15, DL16, DL17, DL19, BASE1
Desk Panels	DPA, DPB, DPH, DPF, DPG1K, DPG1M, DPG1B, DPG1C, DPT, DP1, DP1CS, DP1K, DP1V, DP1U
RF Controls	HB10RF, HB20RF, RFT, RFRL
Accessories	BA001, SLS, Kick & Click

comply with the following parts of the Machinery Directive 2006/42/EC, ANNEX I, *Essential health and safety requirements relating to the design and construction of machinery*:

**1.5.1 Electricity supply**

The relevant technical documentation is compiled in accordance with part B of Annex VII and that this documentation or part hereof will be transmitted by post or electronically to a reasoned request by the national authorities.

**This partly completed machinery must not be put into service until the final machinery into which it is to be incorporated has been declared in conformity with the provisions of the Machinery Directive 2006/42/EC where appropriate.**

Nordborg, 2017-12-08

**LINAK A/S**  
John Kling, B.Sc.E.E.  
Certification and Regulatory Affairs  
Authorized to compile the relevant technical documentation

## Misc. on the DESKLINE® DL81C/DL91C/DL101C/DL111C system

This system is a DESKLINE system developed for desks and for indoor use in offices. Do not use it in industrial kitchens or in other environments that have to be cleaned with aggressive detergents.

Do not bolt the legs to the floor so that free movement is prevented. This could cause serious damage to the legs in fault situations.

### Warranty - 60 months on DESKLINE®

This will be valid for all DESKLINE® products produced after the 1<sup>st</sup> of May 2015.

Products produced before 1<sup>st</sup> of May 2015 will still be covered by 36 months.

Products used in DESKLINE application: If these products are used in another application, they will be covered by 18 months warranty.

If there is any doubt that returned products are within the warranty period it is to be treated as if they are covered by the warranty. We recommend that you use the date of the Control box or actuator as reference if possible. We will have our purchase no. printed on the label.

### Maintenance

Clean dust and dirt on the outside of the system at appropriate intervals and inspect them for damage and breaks. Inspect the connections, cables, and plugs and check for correct functioning as well as fixing points.

### Service of double-insulated products:



Class II

A Class II or **double insulated** electrical appliance is one which has been designed in such a way that it does not require a safety connection to electrical earth (US: ground).

The basic requirement is that no single failure can result in dangerous voltage becoming exposed so that it might cause an electric shock and that this is achieved without relying on an earthed metal casing. This is usually achieved at least in part by having two layers of insulating material surrounding live parts or by using reinforced insulation. There is no earthing/grounding means provided on the product, and no earthing/grounding means is to be added to the product.

In Europe, a double insulated appliance must be labelled "Class II", "double insulated" or bear the double insulation symbol (a square inside another square).

Servicing a double-insulated product requires extreme care and knowledge of the system, and is to be done only by qualified service personnel. Replacement parts for a double-insulated product must be identical to the parts they replace.



**The cleaners and disinfectants must not be highly alkaline or acidic (pH value 6-8).**

### ETL-marking

Due to space limitations, the complete ETL-marking demands are not represented on the marking plates.

The full ETL Recognized Component markings are shown here.



C/N 120690

Conforms to UL962  
Cert. to CSA Std. C22.2 No. 68-09

ETL Recognized Component mark for Canada and United

States



C/N 9901916

Conforms to UL962  
Cert. to CSA Std. C22.2 No. 68-09

ETL Recognized Component mark for Canada and United States



C/N 4008003

Conforms to UL962  
Cert. to CSA Std. C22.2 No. 68-09

ETL Recognized Component mark for Canada and United States



C/N 4008004

Conforms to UL962  
Cert. to CSA Std. C22.2 No. 68-09

ETL Recognized Component mark for Canada and United States



C/N 4008005

Conforms to UL962  
Cert. to CSA Std. C22.2 No. 68-09

ETL Recognized Component mark for Canada and United States



C/N 4008671

Conforms to UL962  
Cert. to CSA Std. C22.2 No. 68-09

ETL Recognized Component mark for Canada and United States



C/N 4009507

Conforms to UL962  
Cert. to CSA Std. C22.2 No. 68-09

ETL Recognized Component mark for Canada and United States

## Description of the DESKLINE® DL8IC/DL9IC/DL10IC/DL11IC system

### Application of the DESKLINE® DL8IC / DL9IC / DL10IC / DL11IC system:

Irrespective of the load the **duty cycle 10% ~ 6 min./ hour or max. 2 min. at continuous use** stated in the data sheets, must **NOT** be exceeded as this will result in an overheating of the motor and control box. Exceeding the duty cycle will result in a dramatic reduction of the life of the system.

A typically DL IC system consists of:

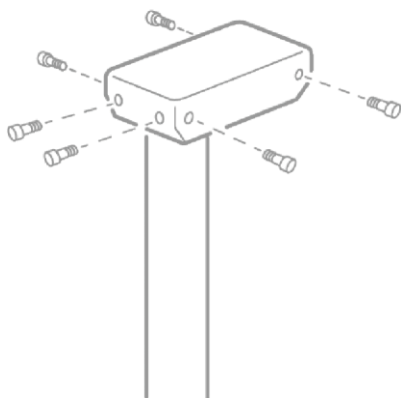
- 2 lifting columns DL8IC, DL9IC, DL10IC or DL11IC (1 - 3 (4))
- Power supply SMPS001, SMPS002 or SMPS006

- Desk panel DPA, DPB, DPH, DP1K, DPF1K, DPG1K, DPG1M
- Exchangeable cables

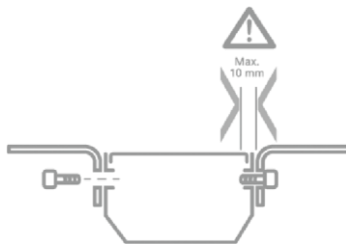
## Mounting guidelines for the DL8IC/DL9IC/DL10IC/DL11IC system

### Mount the columns:


The motor housing is supplied with 6 pcs. M6 threaded holes meant for mounting on the desk frame. We advise you to fasten the desk frame by means of 6 pcs. M6 screws of a good quality and a suitable length, which must not go further into the motor housing than max.10 mm. The thrust moment must not exceed 7.5 Nm.





Use all 6 threaded mounting holes M6 for screws.  
Thrust moment is 7.5Nm




DL motor housing: be aware of the screw length.

 LINAK recommends that the DESKLINE® DL8IC/DL9IC/DL10IC/DL11IC system should be used in push applications with the motor housing mounted upwards.

 It is recommended to use all 6 M6 threaded holes to mount the desk frame. The values for the bending moments of the lifting units are only valid if the desk frame is mounted in this way. Tests with fixing the motor housing only by means of the 4 threaded holes have proved that this is not enough to obtain a sufficient torsional stability of the desk.

 As the tabletop amplifies the sound, we advise you to place a vibration/ shock-absorbing material between the tabletop and the desk frame.

 With a desktop thickness of 25 mm, it is necessary for the lowest edge of the lifting unit to be mounted max. 15 mm above floor level to obtain a desk height of only 600 mm in the lowest position. If e.g. 2 mm vibration absorbing material is placed between the desktop and the desk frame, the lifting unit must be mounted max. 13 mm above floor level. This can be obtained by mounting the lifting unit on a 6-8 mm bottom plate by means of 4 pcs. of M6 countersunk screws. We recommend you to use screws of min. quality 8.8.

The thrust moment must not exceed 10 Nm in the bottom plate thread.

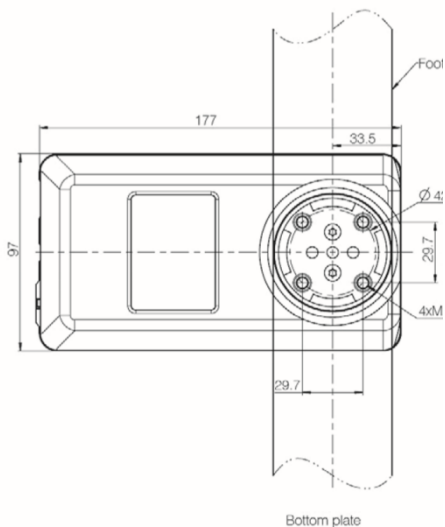
## Mounting guidelines for the DL8 and DL9 (foot part)

The DL8IC/DL9IC is supplied with 4 M6 threaded holes for the mounting of the foot.

We advise you to fasten the foot by means of 4 pcs. M6 screws of a good quality (min. 8.8) and of a suitable length, which must not go further into the DL8IC/DL9IC column than 20 mm.

The thrust moment must not exceed 10 Nm in the bottom plate thread. The 4 holes in the bottom of the DL8IC/DL9IC are placed on a  $\varnothing 42$  mm diameter circle.

The holes in the foot must be sufficiently larger than  $\varnothing 6$  so that it is possible to bring the foot to a level line at assembly/ mounting.

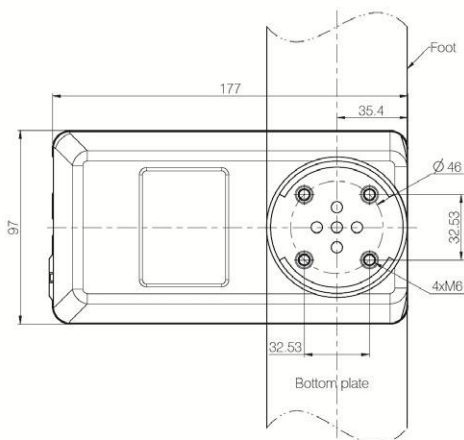


## Mounting guidelines for the DL10IC (foot part)

The DL10IC is supplied with 4 M6 threaded holes for the mounting of the foot.

We advise you to fasten the foot by means of 4 pcs. M6 screws of a good quality (min. 8.8) and of a suitable length, which must not go further into the DL10IC column than 20 mm.

The thrust moment must not exceed 10 Nm in the bottom plate thread. The 4 holes in the bottom of the DL10IC are placed on a  $\varnothing 46$  mm diameter circle.

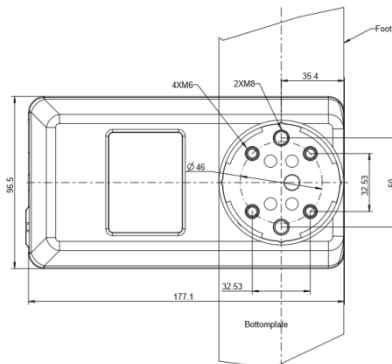




## Mounting guidelines for the DL11IC (foot part)

The DL11IC is supplied with 4 M6 and 2 M8 threaded holes for mounting of the foot. We advise you to fasten the foot by means of 4 pcs. M6 screws or 2 pcs M8 screws of a good quality (min. 8.8) and of a suitable length. The holes in the foot ought to be sufficiently larger than  $\varnothing 6$  so that it is possible to bring the foot to a level line at assembly/mounting.

The 4 M6 holes in the bottom of the column are placed on an  $\varnothing 46$ mm pitch circle. The 2 M8 holes have their center 25 mm from the center of the column.



## Mounting of the foot part of standard DL11IC

M6 screws must not go further than 20mm into the DL11IC column. M8 screws must go min. 9 mm and not further than 11 mm into the column. The thrust moment must not exceed 10Nm in the bottom plate thread.

### Further mounting:

Beside the two DESKLIFT™ columns, you need following to get the system running:

Motor cable



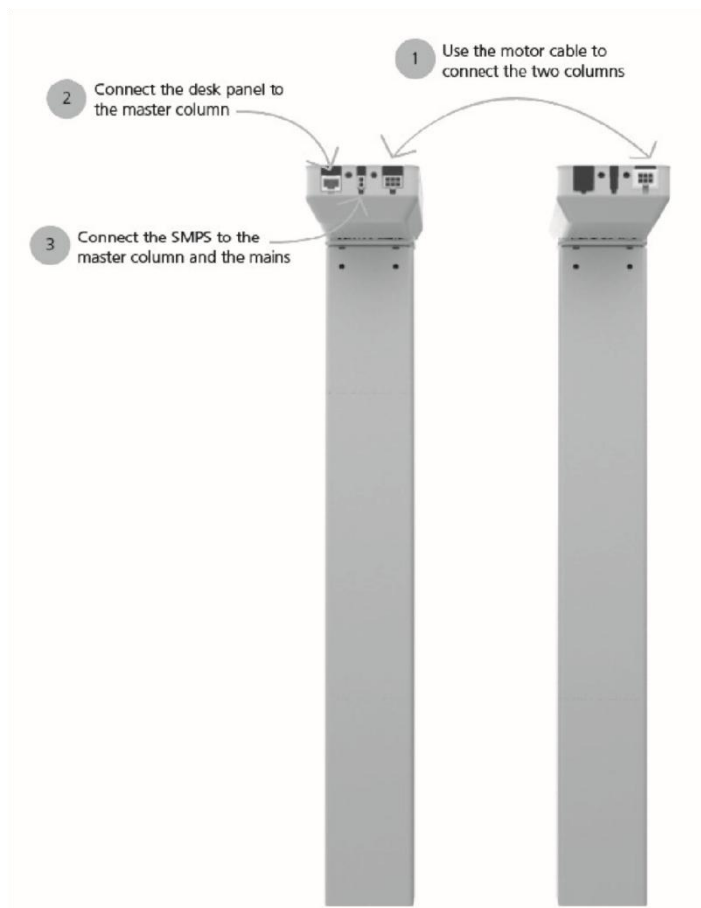
SMPS + cable



Desk panel (e.g.)



Connect the master and slave columns by using the motor cable. Then mount the chosen desk panel on the desk and connect it to the DL8IC/DL9IC/DL10IC/DL11IC master. Finally, connect the chosen SMPS to the DL8IC/DL9IC/DL10IC/DL11IC master and to the mains.



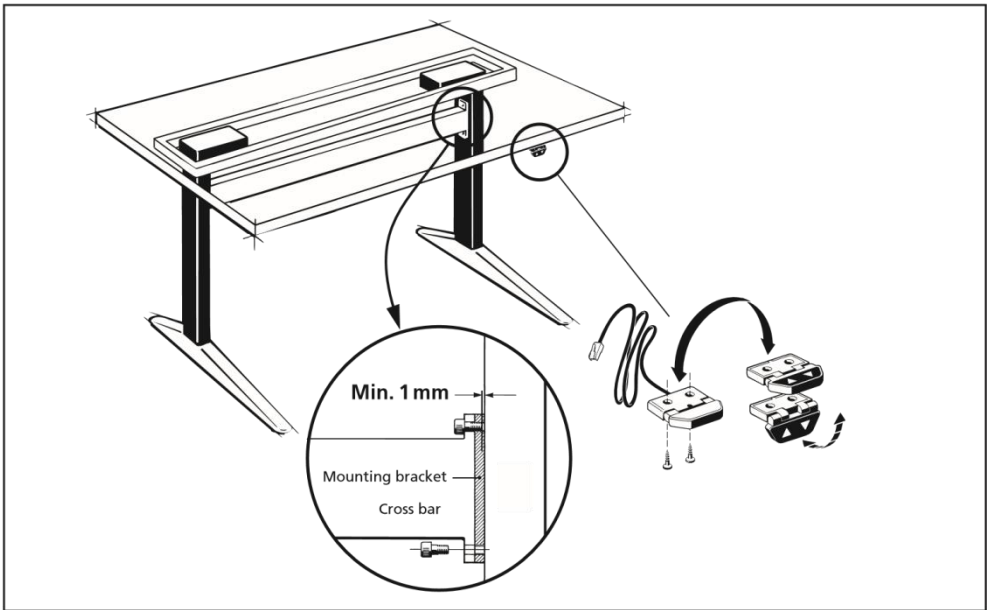


Figure 3

(Example of how to mount a 2 parallel DESKLINE® DL81C/DL91C/DL101C/DL111C system)



To avoid damage of the lifting unit there must be min. 1 mm space between the end of the screw for the mounting bracket and the surface of the lifting unit (see figure 1). The use of any longer screws will come into contact with the inner parts. This will result in an irregular operation or even damage the lifting unit.

The DESKLINE® DL system can only be used in push applications with the motor housing mounted upwards.



Placement of a monitor directly above the motor housing may cause malfunction of the monitor. Magnets inside the motor may interrupt the picture on the monitor depending on the distance and type of monitor. If this is the case the problem may be solved by placing an iron plate/tube or another magnetic material, somewhat larger than the motor housing, between the motor, and the tabletop.



The end-stop system is based on a buffer system meaning that you must be aware of the lengths when initialising. The products must be able to drive:


Inwards direction: built-in dimension - tolerances – 5 mm

Outwards direction: built-in dimension + stroke length + tolerances + 5 mm

## PIEZO™: description of the feature

For optimised safety against squeezing and blocking on a desk, LINAK has developed DLXX columns with integrated sensor, called PIEZO. The option minimises the risk for damages on a desk caused by squeezing or blocking of obstacles in up and down direction. Examples could be driving down into an office chair or into a container or up into a windowsill. To a certain extent, the system also increases the personal safety, but it does not comply with legislation describing personal safety.

PIEZO allows the DLXX columns to have the standard built-in dimension and the standard stroke length. There are no visible changes to the column.

 Do not use the Dlx with Piezo in combination with a crossbar or foot construction where you place the column in a tube welded on the foot.



Examples where PIEZO avoids squeezing situations.



## Desk Control™ Apps

- Up and down drive (if supported by the connected product)
- Displays actual height
- Displays error codes and links to LINAK website support
- Up to 4 memory positions
- Tracks usage of the desk
- Reminder notifications to get standing
- Possibility to enable automatic drive on memory positions (if supported by the connected product)
- Works via Bluetooth® Low Energy Technology
- Available in English, German, French, Spanish, Italian, Korean, Chinese and Japanese

## Accessories and repair

### Ordering accessories

Order from your nearest LINAK® dealer or subsidiary.

### Accessories

Please contact your nearest LINAK dealer for information.

### Repairs

Systems should only be repaired by an authorised LINAK service centre or engineer. Systems to be repaired under warranty must be sent to an authorised LINAK service centre.



### Warning!

By unauthorised opening of the system there is a risk that it may malfunction at a later date.

### Spare parts

Please contact your nearest LINAK dealer for information on spare parts.

## Disposal of LINAK products

As LINAK customers often ask us how our products can be disposed of or scrapped we have prepared this guidance that enables a classification to different waste fractions for recycling or combustion.

### Guidance

We recommend that our products be disassembled as much as possible and divided into different waste groups for recycling or combustion.

For example, waste can be sorted into metals, plastics, cable scrap, combustible material, and recoverable resources. Some of these main groups can be further divided into subgroups; e.g. metal can be divided into steel/aluminium/copper and plastic can be divided into ABS/PA/PE/PP.

As an example, the table below breaks down the different components in LINAK products to various recycling groups:

Product	Components	Recycling group
<b>Column/ Actuator :</b>	Spindle and motor Plastic housing Cable PCB boards	Scrap Plastic recycling or combustion Cable scrap or combustion Electronics scrap
<b>Control Box :</b>	PCB boards Plastic housing Cable Transformer	Electronics scrap Plastic recycling or combustion Cable scrap or combustion Metal scrap
<b>Handset/Control :</b>	Plastic housing Cable PCB board	Plastic recycling or combustion Cable scrap or combustion Electronics scrap

By now almost all our casted plastic parts are supplied with an interior code for plastic type and fibre contents, if any.

## Main groups of disposal

Product main groups	Metal scrap	Cable scrap	Electronics scrap	Plastic recycling or combustin	Comments
DLXXIC	X	X	X	X	
DPXX		X	X	X	
SMPS			X	X	

## Disposal of batteries

Details regarding safe disposal of used and leaking batteries:

Batteries should be disposed in accordance with appropriate federal, state and local regulations. LINAK recommends that used or leaking batteries are disposed through local recycling system. Please do not throw used or leaking batteries in normal household waste or in nature. This will cause damage to the environment.

### How to deal with leaking batteries.

Leaking batteries should be disposed as described above.

If leaking batteries are discovered in the product the batteries must be removed at once to minimise damage to the product. If leaking batteries are left in the product it might become defect.

It is recommended to use plastic gloves when handling leaking batteries. The contents of a leaking batteries can cause chemical burns and respiratory irritation.

If exposed to the contents of a leaking battery, please wash with soap and water. If irritation persists, please seek medical attention. In case of eye contact, please flush eyes thoroughly with water for 15 minutes and seek medical attention."

## Labels

Label for DL81C

**LINAK®**  **GROUP HEADQUARTERS SMEDEVAENGET 8**  
 WE IMPROVE YOUR LIFE  
 DESIGNED IN DENMARK DK 6430 NORDBORG

Item No. : DL8000BOM500645  
 Prod. Date : 2016.06.27  
 Max Load : 500 N  
 Power Rate: 24-30 V= / Max. 8.0 A  
 Duty Cycle : 10%, Max. 2 min. / 18 min.  120690

NOT TO BE OPENED BY UNAUTHORIZED PERSONNEL  
 NE PAS OUVRIER PAR DU PERSONNEL NON AUTORISE

       S.W. P/N. : 3002002 Ver. 1.08

W/O # -0001

Label for DL91C

**LINAK®**  **GROUP HEADQUARTERS SMEDEVAENGET 8**  
 WE IMPROVE YOUR LIFE  
 DESIGNED IN DENMARK DK 6430 NORDBORG

Item No. : DL9000BOM650560  
 Prod. Date : 2016.06.27  
 Max Load : 500 N  
 Power Rate: 24-30 V= / Max. 8.0 A  
 Duty Cycle : 10%, Max. 2 min. / 18 min.  120690

NOT TO BE OPENED BY UNAUTHORIZED PERSONNEL  
 NE PAS OUVRIER PAR DU PERSONNEL NON AUTORISE

      S.W. P/N. : 3002002 Ver. 1.08

W/O # -0001

Label for DL101C

**LINAK®**  **GROUP HEADQUARTERS SMEDEVAENGET 8**  
 WE IMPROVE YOUR LIFE  
 DESIGNED IN DENMARK DK 6430 NORDBORG

Item No. : DL10000BOM500645  
 Prod. Date : 2016.06.27  
 Max Load : 500 N  
 Power Rate: 24-30 V= / Max. 8.0 A  
 Duty Cycle : 10%, Max. 2 min. / 18 min.  120690

NOT TO BE OPENED BY UNAUTHORIZED PERSONNEL  
 NE PAS OUVRIER PAR DU PERSONNEL NON AUTORISE

      S.W. P/N. : 3002002 Ver. 1.08

W/O # -0001

Label for DL111C

**LINAK®**  **SMEDEVAENGET 8 DK 6430 NORDBORG**  
 WE IMPROVE YOUR LIFE

Type: DL110A0XOM650560 Model: DLICBLE  
 Item No.: DL11KM0011 FCC ID: XBE-DLICBLE  
 Prod. Date: 2018.02.26 IC: 12338B-DLICBLE  
 Max. Load: Push 500N  
 Power Rate: 22-32V=, Max. 9.0A  
 Duty Cycle: 10%, Max. 2 min./ 18min.

NOT TO BE OPENED BY UNAUTHORIZED PERSONNEL  
 NE PAS OUVRIER PAR DU PERSONNEL NON AUTORISE

        S.W. P/N.: 03002012 Ver. 1.1X

W/O #3214051-0001 MADE IN DENMARK

Label for SMPS001

**LINAK®**  **WE IMPROVE YOUR LIFE**

Type :Power Supply  
 Item No :SMPS001  
 Input : 230-240V-50Hz 1.2A  
 Output : 24V=, 2A

Model No:ASW0539-24020002A  
 Serial No :CY11227

 NOT TO BE OPENED BY UNAUTHORIZED PERSONNEL


     Made In China

Label for SMPS002

**LINAK®**  **WE IMPROVE YOUR LIFE**

Type :Power Supply  
 Item No :SMPS002  
 Input : 120V-60Hz 1.2A  
 Output : 24V=, 2A

Model No:ASW0551-24020002A  
 Serial No :PO.632312 CY140401

 NOT TO BE OPENED BY UNAUTHORIZED PERSONNEL

     S.J.X.T  
 US E308336  
 CLASS 2 POWER SUPPLY  
 LISTED Made In China

Label for SMPS006

**LINAK®**  **WE IMPROVE YOUR LIFE**

Type :Power Supply  
 Item No:SMPS006  
 Input: 100-240V- 50/60Hz 1.6A  
 Output: 29V = 2A  
 Model No.:ASW0552-29020002B  
 Serial No :PO.867734CY141030  
 Int 10%,max. 6A 2min.,/18 min

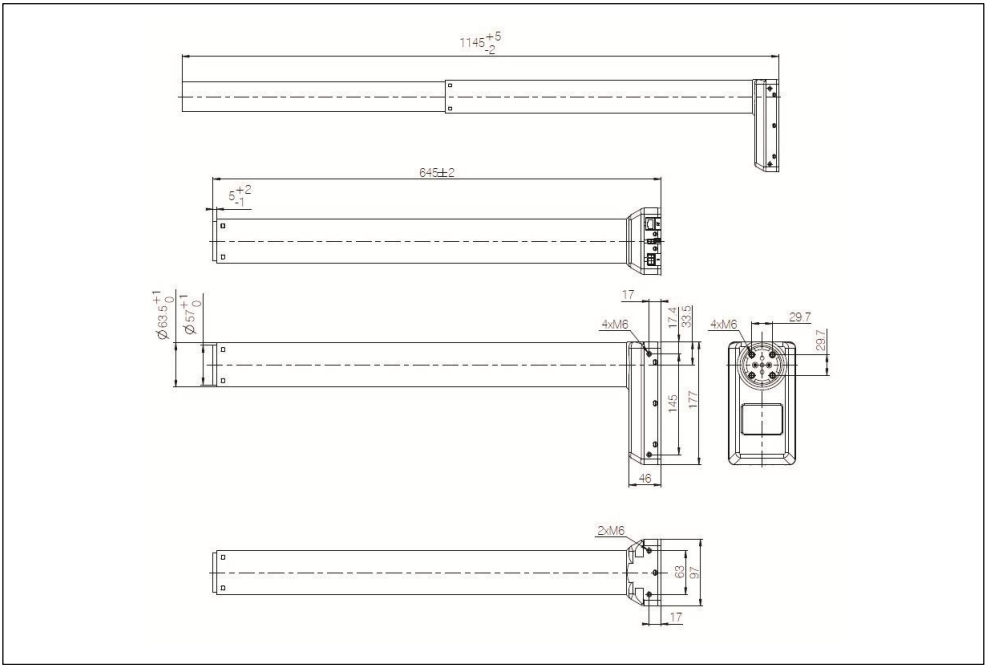
 **CAUTION**

- Risk of electric shock
- For indoor use only
- Do not open the unit
- Dry location use only

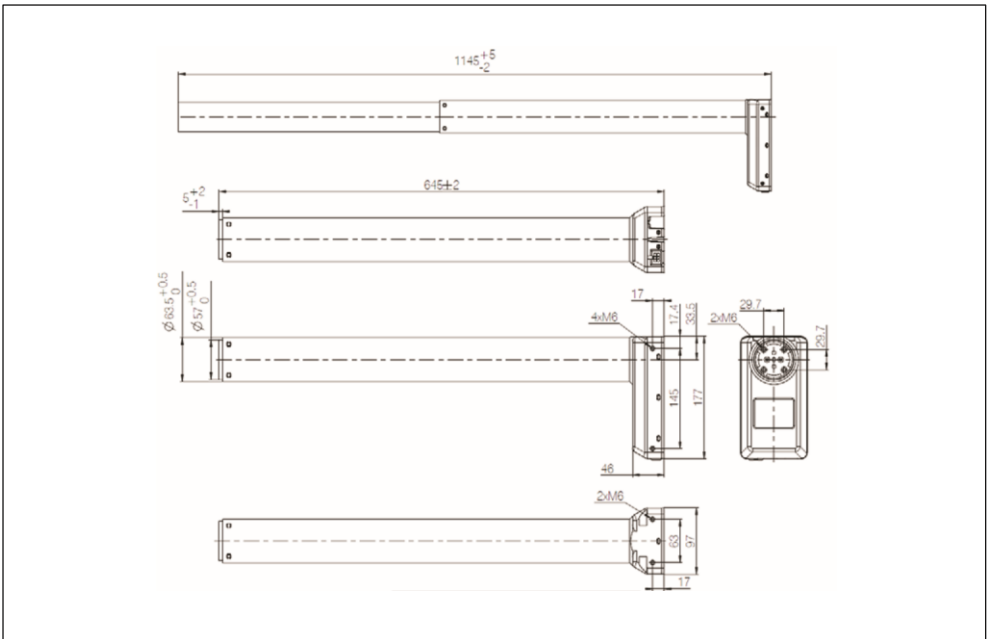
     S.J.X.T  
 US E308336  
 CLASS 2 POWER SUPPLY  
 LISTED Made In China

## DRAWING APPENDIX

DL8IC M (Master)

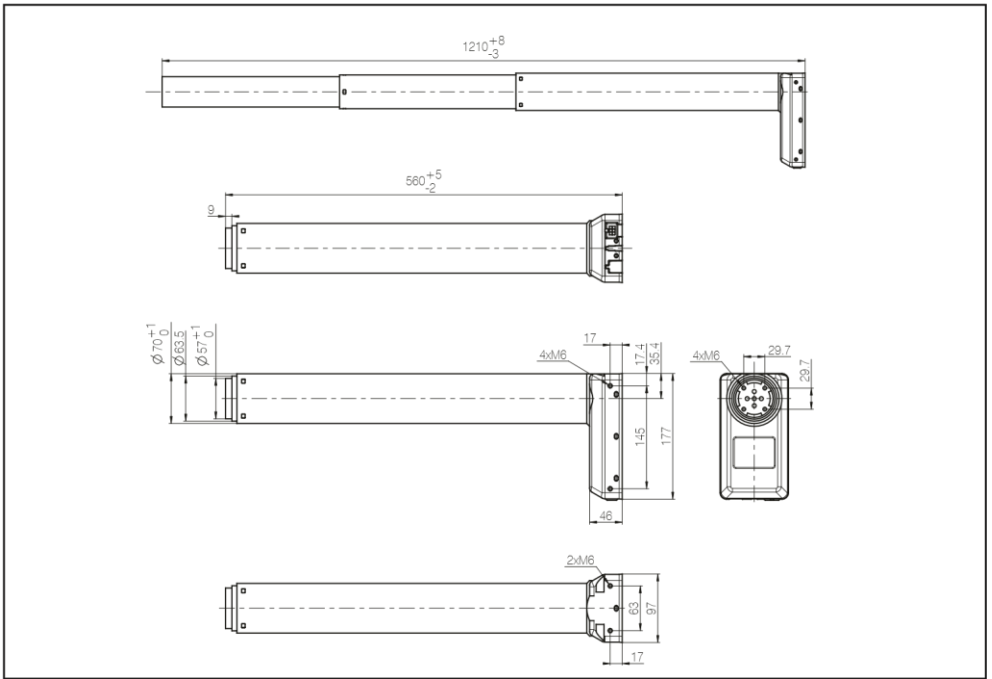


DL8IC S (Slave)

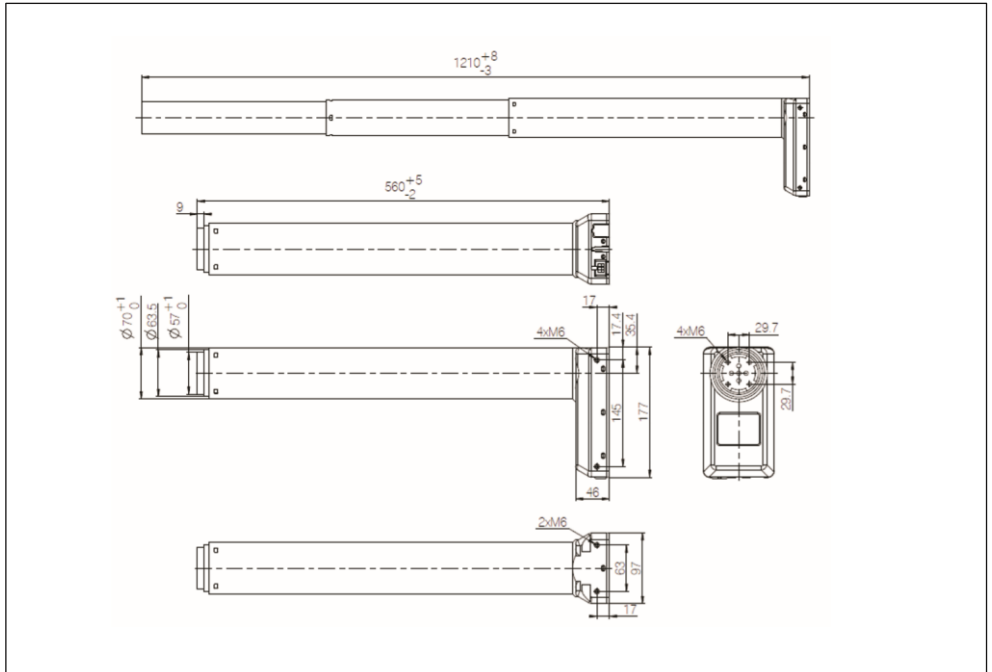


DL9IC M (Master)

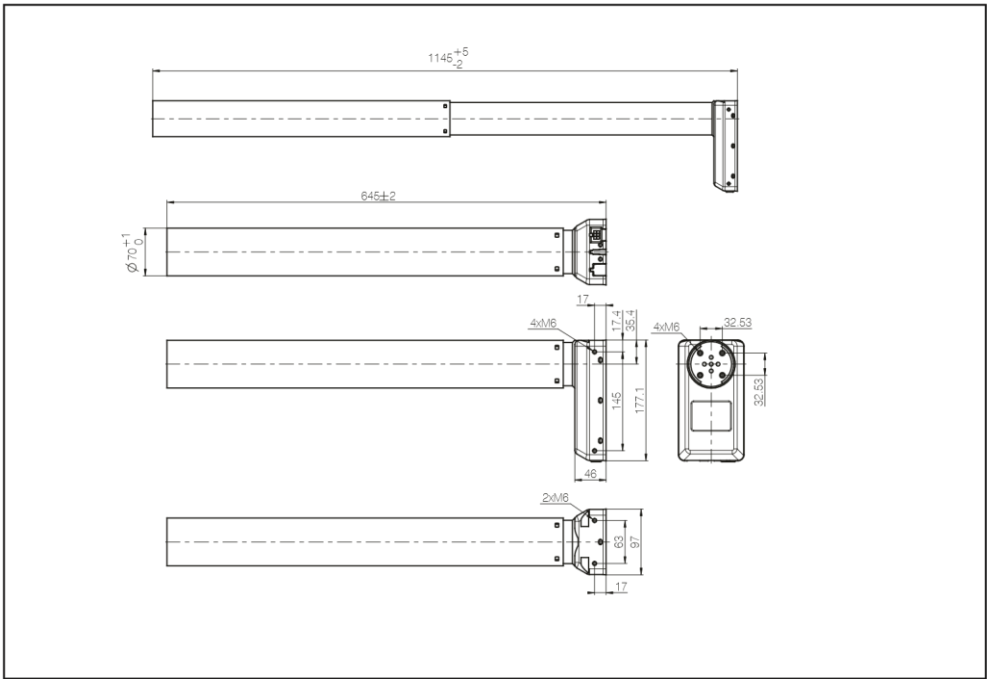




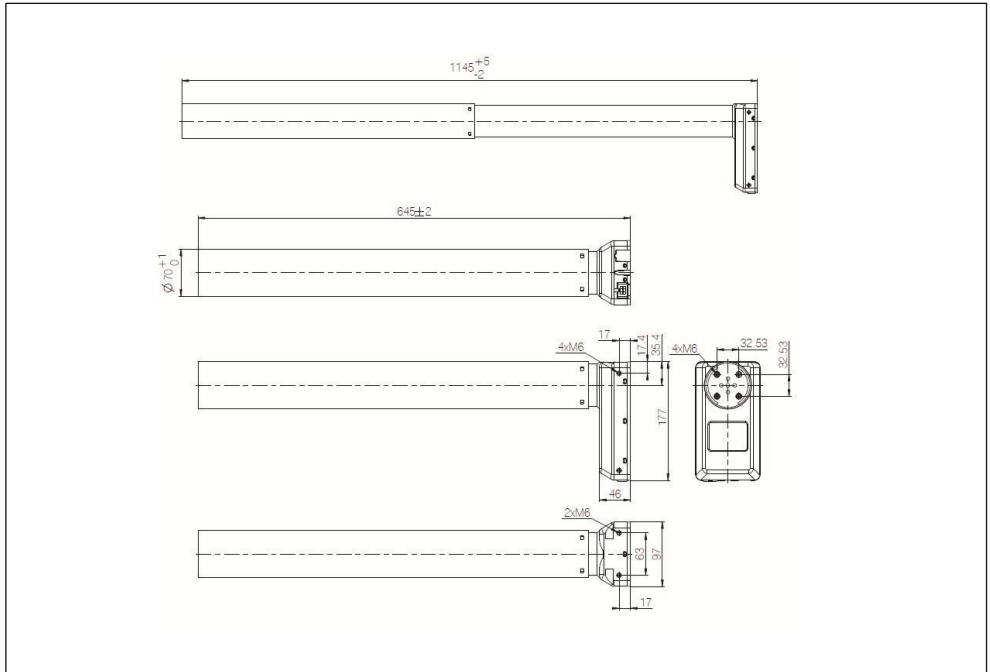
DL9IC S (Slave)



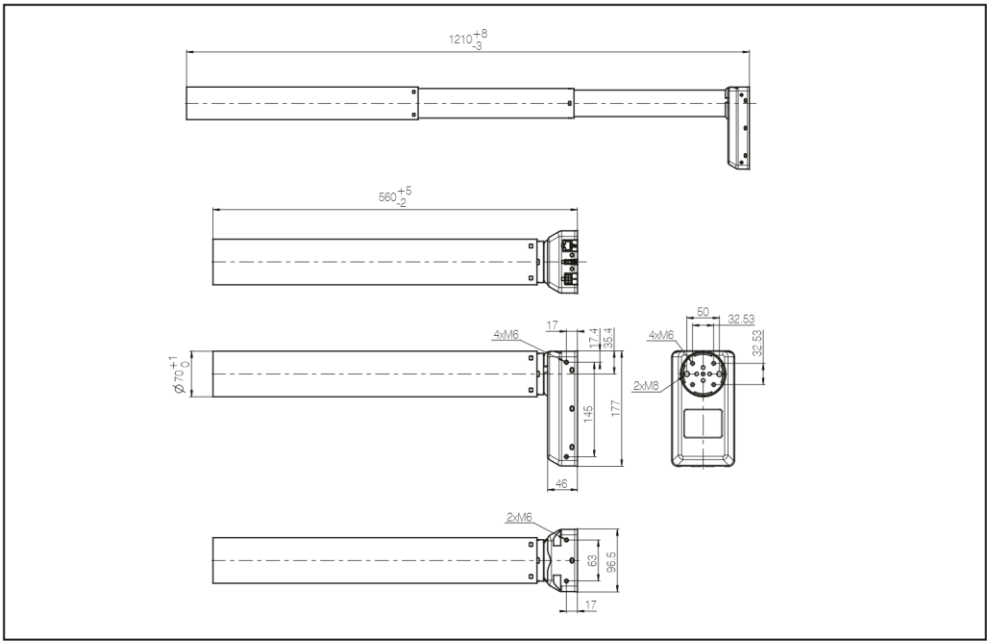
DL10IC M (Master)



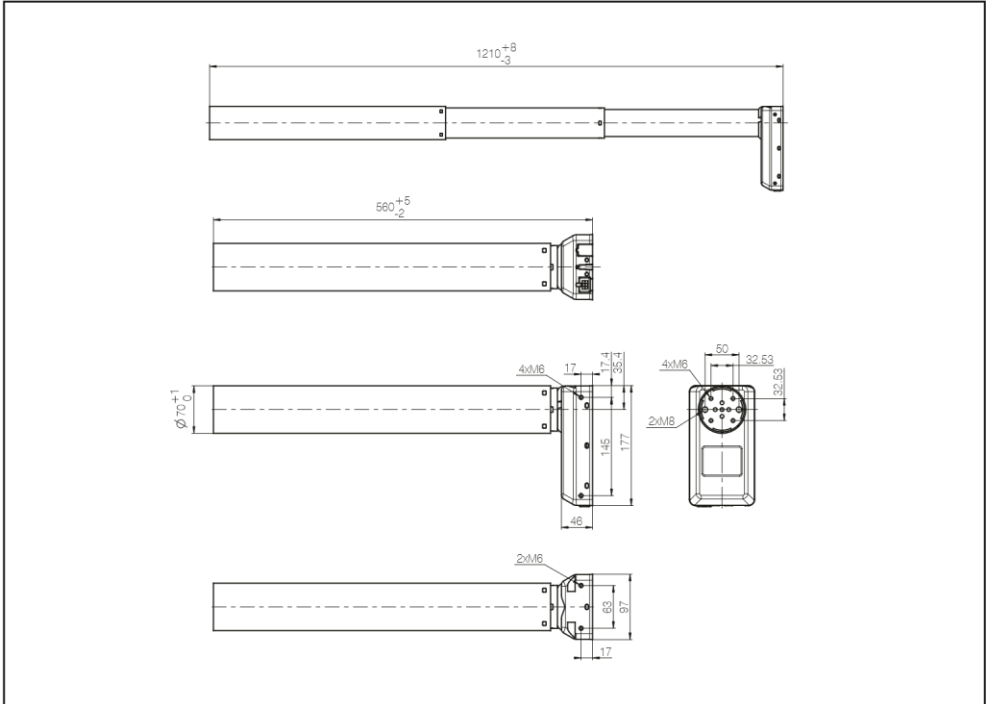
DL10C S (Slave)



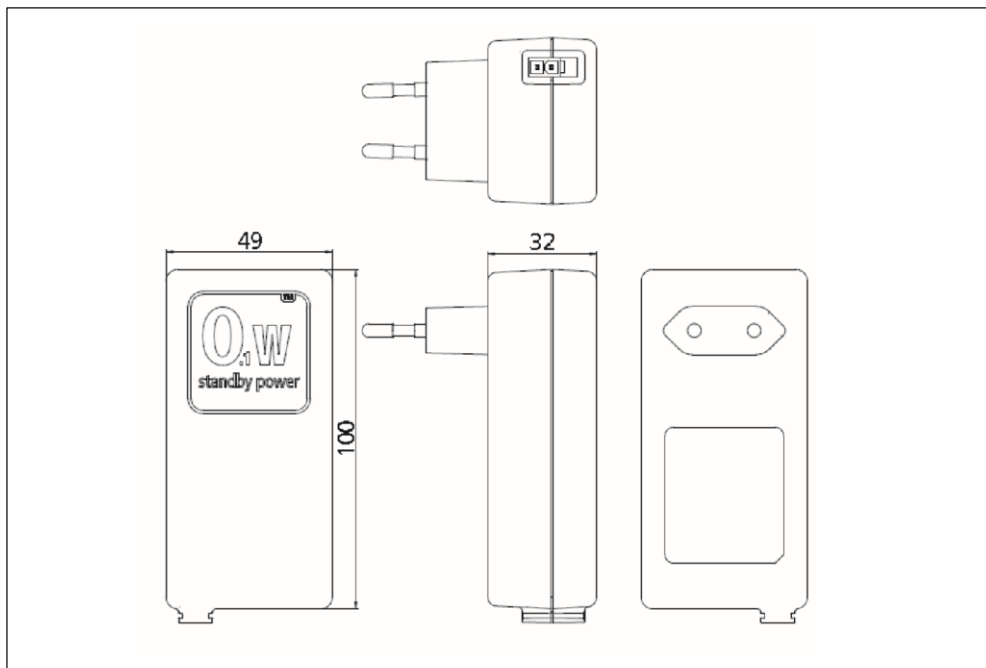
DL11IC M (Master)



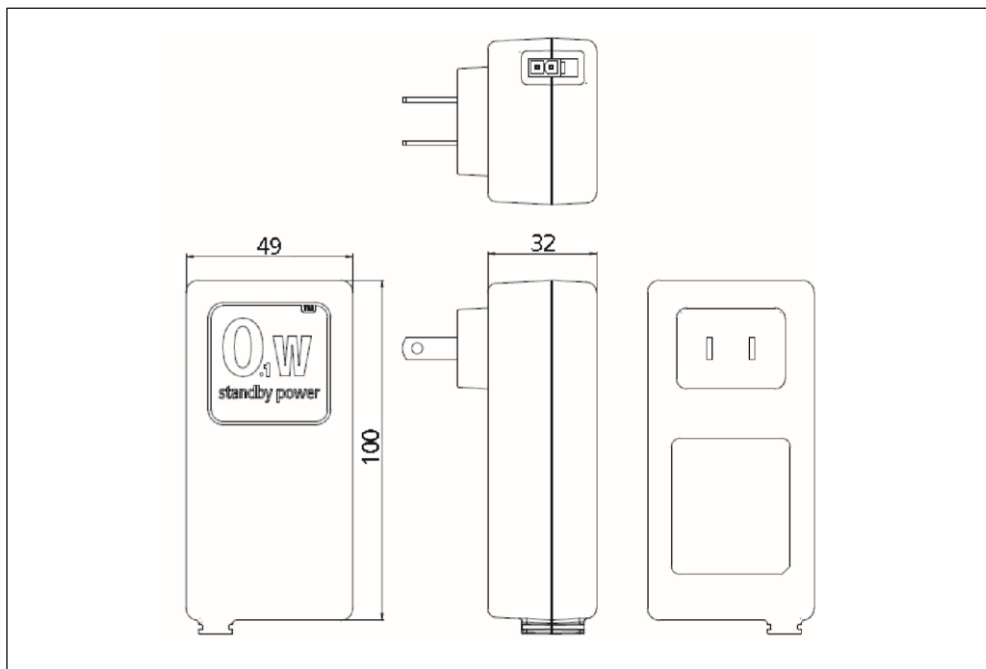
DL111C S (Slave)



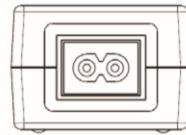
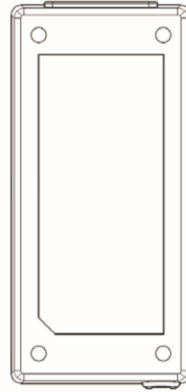
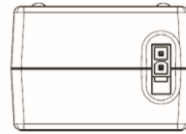
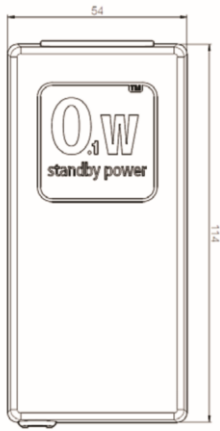
SMPS001



SMPS002



SMPS006



# DECLARATION OF CONFORMITY

LINAK A/S  
Smedevænget 8  
DK - 6430 Nordborg

hereby declares that LINAK Actuator System composed of:

Control Box(s)            CBD6SP00020A-309  
                                  CBD6S\*000\*0A-709

(The "\*" in the product description can either be a character or a number, thereby defining the variation of the product)

And

Linear Actuator(s)        31, DB4, DB5, DB6, DB7, DB9, DB12, DB14, DB16, LA23 series    and / or  
Lifting Column(s) DL1A, DL2, DL4, DL5, DL6, DL7, DL8, DL9, DL10, DL11, DL12, DL14, DL15, DL16, DL17, DL19,  
                                  BASE1 series

And

Desk Panel(s)            DP1C, DP1K, DP1L, DP1V, DP1U, DPA, DPB, DPF, DPG, DPH, DPT, WDPL1 series

complies with EMC Directive: 2014/30/EU according to following standards: EN 61000-6-1:2007, EN 61000-6-3:2007+A1:2011+AC:2012

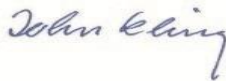
complies with Low Voltage Directive 2014/35/EU according to the standard:  
EN 60335-1:2012+A11:2014

complies with RoHS2 Directive 2011/65/EU according to the standard:  
EN 55581:2012

Additional information:

The system does also comply with the standard: EN 13849-1:2015 SRP/CS Cat. B, PL = b and SRESW PL = b Note 1:  
Exempted CBD6S with SW03003007 printed on the label.

Nordborg, 2017-12-08



**LINAK A/S**  
John Kling, B.Sc.E.E.  
Certification and Regulatory Affairs  
Authorized to compile the relevant technical documentation

Original Declaration

## **LINAK APPLICATION POLICY**

The purpose of the application policy is to define areas of responsibilities in relation to applying a LINAK product defined as hardware, software, technical advice, etc. related to an existing or new customer application.

LINAK products as defined above are applicable for a wide range of applications within the Medical, Furniture, Desk and Industry areas. Yet, LINAK cannot know all the conditions under which LINAK products will be installed, used, and operated, as each individual application is unique.

The suitability and functionality of the LINAK product and its performance under varying conditions (application, vibration, load, humidity, temperature, frequency, etc.) can only be verified by testing, and shall ultimately be the responsibility of the LINAK customer using any LINAK product.

LINAK shall be responsible solely that the LINAK products comply with the specifications set out by LINAK and it shall be the responsibility of the LINAK customer to ensure that the specific LINAK product can be used for the application in question.

## FACTORIES

### China

LINAK (Shenzhen) Actuator Systems, Ltd.  
Tel: +86 755 8610 6656  
Tel: +86 755 8610 6990  
E-mail: [sales@linak.cn](mailto:sales@linak.cn)  
[www.linak.cn](http://www.linak.cn)

### Denmark – Headquarters

#### LINAK A/S Group Headquarters

Tel: +45 73 15 15 15  
Fax: +45 74 45 80 48  
Fax (Sales): +45 73 15 16 13  
E-mail: [info@linak.com](mailto:info@linak.com)  
[www.linak.com](http://www.linak.com)

### USA

LINAK U.S. Inc.  
North and South American Headquarters  
User support: +1 800 905 4625  
Tel: +1 502 253 5595  
Fax: +1 502 253 5596  
E-mail: [info@linak-us.com](mailto:info@linak-us.com)  
[www.linak-us.com](http://www.linak-us.com)

## SUBSIDIARIES

### Australia

LINAK Australia Pty. Ltd  
Tel: +61 3 8796 9777  
Fax: +61 3 8796 9778  
E-mail: [sales@linak.com.au](mailto:sales@linak.com.au)  
[www.linak.com.au](http://www.linak.com.au)

### Austria

LINAK Repräsentanz  
Österreich (Wien)  
Tel: +43 (1) 890 7446  
Fax: +43 (1) 890 744615  
E-mail: [info@linak.de](mailto:info@linak.de)  
[www.linak.at](http://www.linak.at)

### Belgium

LINAK Actuator-Systems NV/SA  
(Belgium & Luxembourg)  
Tel: +32 (0)9 230 01 09  
Fax: +32 (0)9 230 88 80  
E-mail: [beinfo@linak.be](mailto:beinfo@linak.be)  
[www.linak.be](http://www.linak.be)

### Brazil

LINAK DO BRASIL COMÉRCIO DE  
ATUADORES LTDA.  
Tel: +55 (11) 2832 – 7070  
Fax: +55 (11) 2832 – 7060  
E-mail: [info@linak.com.br](mailto:info@linak.com.br)  
[www.linak.com.br](http://www.linak.com.br)

### Canada

LINAK Canada Inc.  
Tel: +1 502 253 5595  
Fax: +1 416-255-7720  
E-mail: [info@linak.ca](mailto:info@linak.ca)  
[www.linak-us.com](http://www.linak-us.com)

### Czech Republic

LINAK C&S S.R.O.  
Tel: +420581741814  
Fax: +420581702452  
E-mail: [info@linak.cz](mailto:info@linak.cz)  
[www.linak.cz](http://www.linak.cz)

### LINAK International

Tel: +45 73 15 15 15  
Fax: +45 74 45 90 10  
Fax (Sales): +45 73 15 16 13  
E-mail: [info@linak.com](mailto:info@linak.com)  
[www.linak.com](http://www.linak.com)

### Denmark - Sales

LINAK DANMARK A/S  
Tel: +45 86 80 36 11  
Fax: +45 86 82 90 51  
E-mail: [linak@linak-silkeborg.dk](mailto:linak@linak-silkeborg.dk)  
[www.linak.dk](http://www.linak.dk)

### Finland

LINAK OY  
Tel: +358 10 841 8700  
E-mail: [linak@linak.fi](mailto:linak@linak.fi)  
[www.linak.fi](http://www.linak.fi)

### France

LINAK FRANCE E.U.R.L  
Tel: +33 (0) 2 41 36 34 34  
Fax: +33 (0) 2 41 36 35 00  
E-mail: [linak@linak.fr](mailto:linak@linak.fr)  
[www.linak.fr](http://www.linak.fr)

### Germany

LINAK GmbH  
Tel: +49 6043 9655 0  
Fax: +49 6043 9655 60  
E-mail: [info@linak.de](mailto:info@linak.de)  
[www.linak.de](http://www.linak.de)

### India

LINAK A/S India Liaison Office  
Tel: +91 120 4734631  
Fax: +91 120 4273708  
E-mail: [info@linak.in](mailto:info@linak.in)  
[www.linak.in](http://www.linak.in)

### Ireland

LINAK UK Limited (Ireland)  
Tel: +44 (0)121 544 2211  
Fax: +44 (0)121 544 2552  
+44 (0)796 855 1606 (UK Mobile)  
+35 387 634 6554 (Republic Of Ireland Mobile)  
E-mail: [sales@linak.co.uk](mailto:sales@linak.co.uk)  
[www.linak.co.uk](http://www.linak.co.uk)

### Italy

LINAK ITALIA S.r.l.  
Tel: +39 02 48 46 33 66  
Fax: +39 02 48 46 82 52  
E-mail: [info@linak.it](mailto:info@linak.it)  
[www.linak.it](http://www.linak.it)

### Japan

LINAK K.K.  
Tel: 81-45-533-0802  
Fax: 81-45-533-0803  
E-mail: [linak@linak.jp](mailto:linak@linak.jp)  
[www.linak.jp](http://www.linak.jp)

### Malaysia

LINAK Actuators Sdn. Bhd.  
Tel: +60 4 210 6500  
Fax: +60 4 226 8901  
E-mail: [info@linak-asia.com](mailto:info@linak-asia.com)  
[www.linak.my](http://www.linak.my)

### Netherlands

LINAK Actuator-Systems B.V.  
Tel: +31 76 5 42 44 40  
Fax: +31 76 5 42 61 10  
E-mail: [info@linak.nl](mailto:info@linak.nl)  
[www.linak.nl](http://www.linak.nl)

### New Zealand

LINAK New Zealand Ltd  
Tel: +64 9580 2071  
Fax: +64 9580 2072  
E-mail: [nzsales@linak.com.au](mailto:nzsales@linak.com.au)  
[www.linak.com.au](http://www.linak.com.au)

### Norway

LINAK Norge AS  
Tel: +47 32 82 90 90  
Fax: +47 32 82 90 98  
E-mail: [info@linak.no](mailto:info@linak.no)  
[www.linak.no](http://www.linak.no)

### Poland

LINAK Polska  
Tel: +48 22 295 09 70  
E-mail: [info@linak.pl](mailto:info@linak.pl)  
[www.linak.pl](http://www.linak.pl)

### Republic of Korea

LINAK Korea Ltd.  
Tel: +82-(0)2-6231-1515  
Fax: +82-(0)2-6231-1516  
E-mail: [info@linak.kr](mailto:info@linak.kr)  
[www.linak.kr](http://www.linak.kr)

### Russian Federation

OOO LINAK  
Tel: +7 495 280 14 26  
Fax: +7 495 687 14 26  
E-mail: [info@linak.ru](mailto:info@linak.ru)  
[www.linak.ru](http://www.linak.ru)

### Spain

LINAK Actuadores, S.L.U  
Tel: +34 93 588 27 77  
Fax: +34 93 588 27 85  
E-mail: [esma@linak.es](mailto:esma@linak.es)  
[www.linak.es](http://www.linak.es)

### Sweden

LINAK Scandinavia AB  
Tel: +46 8 732 20 00  
Fax: +46 8 732 20 50  
E-mail: [info@linak.se](mailto:info@linak.se)  
[www.linak.se](http://www.linak.se)

### Switzerland

LINAK AG  
Tel: +41 43 388 31 88  
Fax: +41 43 388 31 87  
E-mail: [Info@linak.ch](mailto:Info@linak.ch)  
[www.linak.ch](http://www.linak.ch)

### Taiwan

LINAK (Shenzhen) Actuator systems Ltd.  
Taiwan Representative office  
Tel: +886 2 27290068  
Fax: +886 2 27290096  
Mobile: +886 989292100  
E-mail: [sales@linak.com.tw](mailto:sales@linak.com.tw)  
[www.linak.com.tw](http://www.linak.com.tw)

### Turkey

LINAK İth. İhr. San. ve Tic. A.Ş.  
Tel: +90 312 4726338  
Fax: +90 312 4726635  
E-mail: [info@linak.com.tr](mailto:info@linak.com.tr)  
[www.linak.com.tr](http://www.linak.com.tr)

### United Kingdom

LINAK UK Limited  
Tel: +44 (0)121 544 2211  
Fax: +44 (0)121 544 2552  
E-mail: [sales@linak.co.uk](mailto:sales@linak.co.uk)  
[www.linak.co.uk](http://www.linak.co.uk)

## DISTRIBUTORS

### Argentina

NOVOTEC ARGENTINA SRL  
Tel: 011-4303-8989/8900  
Fax: 011-4032-0184  
E-mail: [info@novotecargentina.com](mailto:info@novotecargentina.com)  
[www.novotecargentina.com](http://www.novotecargentina.com)

### Colombia

MEM Ltda  
Tel: +[57] (1) 334-7666  
Fax: +[57] (1) 282-1684  
E-mail: [servicioalcliente@memltda.com.co](mailto:servicioalcliente@memltda.com.co)  
[www.mem.net.co](http://www.mem.net.co)

### India

Mechatronics Control Equipments  
Tel: +91-44-28558484, 85  
E-mail: [bala@mechatronicscontrol.com](mailto:bala@mechatronicscontrol.com)  
[www.mechatronicscontrol.com](http://www.mechatronicscontrol.com)

### Indonesia

HIMALAYA EVEREST JAYA PT.  
Tel: +6 221 544 8956, +6 221 544 8965  
Fax: +6 221 619 4658, +6 221 619 1925  
E-mail: [hejplastic-div@centrin.net.id](mailto:hejplastic-div@centrin.net.id)  
[www.hej.co.id](http://www.hej.co.id)

### Iran

Bod Inc.  
Tel: +98 2188998635 – 6  
Fax: +98 2188954481  
E-mail: [info@bod.ir](mailto:info@bod.ir)  
[www.bod.ir](http://www.bod.ir)

### Russian Federation

OOO FAM  
Tel: +7 812 3319333  
Fax: +7 812 3271454  
E-mail: [purchase@fam-drive.ru](mailto:purchase@fam-drive.ru)  
[www.fam-drive.ru](http://www.fam-drive.ru)

### Singapore

SERVO DYNAMICS PTE.LTD.  
Tel: +65 6844 0288  
Fax: +65 6844 0070  
E-mail: [servodynamics@servo.com.sg](mailto:servodynamics@servo.com.sg)  
[www.servo.com.sg](http://www.servo.com.sg)

### South Africa

Industrial Specialised Applications CC  
Tel: +27 11 312 2292  
or +27 11 2077600 (Switch Board)  
Fax: +27 11 315 6999  
E-mail: [gartht@isagroup.co.za](mailto:gartht@isagroup.co.za)  
[www.isaza.co.za](http://www.isaza.co.za)

### United Arab Emirates

Mechatronics  
Tel: +971 4 267 4311  
Fax: +971 4 267 4312  
E-mail: [mecatron@emirates.net.ae](mailto:mecatron@emirates.net.ae)

## Terms of use

The user is responsible for determining the suitability of LINAK products for specific application. LINAK takes great care in providing accurate and up-to-date information on its products. However, due to continuous development in order to improve its products, LINAK products are subject to frequent modifications and changes without prior notice. Therefore, LINAK cannot guarantee the correct and actual status of said information on its products. While LINAK uses its best efforts to fulfil orders, LINAK cannot, for the same reasons as mentioned above, guarantee the availability of any particular product. Therefore, LINAK reserves the right to discontinue the sale of any product displayed on its website or listed in its catalogues or other written material drawn up by LINAK. All sales are subject to the Standard Terms of Sale and Delivery for LINAK. For a copy hereof, please contact LINAK.