

TWINDRIVE[®] TD3.2 / TD3.3



To learn more about LINAK please visit:
WWW.LINAK.COM

Contents

Preface	4
Important information	5
Safety instructions	5
Before installation, reinstallation or troubleshooting	5
Before start-up	5
During operation	6
Repairs	6
Misc. on the TD3 TWINDRIVE® system.....	7
Description of the TWINDRIVE® TD3 system.....	7
Mounting guidelines for the TWINDRIVE® system.....	8
Functional description	9
Handset for massage	10
Child lock	12
Start-up - How to install RF handset	13
Connections.....	14
Changing of batteries.....	13
Disposal of batteries.....	16
Welding the twist bracket on the frame	17
Mounting instructions for the massage motor	18
Labels	19
Disposal of LINAK's products	20
Drawing appendix	21
Manufacturer's declaration	23
LINAK application policy	23
Addresses	24

Preface

We are delighted that you have chosen a product from LINAK A/S. LINAK systems are high-tech products based on many years of experience in the manufacture and development of actuators, electric control boxes, controls, and chargers. We are also constantly improving our products to meet customer requirements.

This User Manual will tell you how to install, use, and maintain your LINAK TWINDRIVE® products.

We are sure that the TWINDRIVE® products will give you many years of trouble-free operation. Before our products leave the factory they undergo a full function and quality test. Should you nevertheless experience problems with your systems, you are always welcome to contact our service departments or service centres.

LINAK subsidiaries and distributors all over the world have authorised service centres, which are always ready to help you.

LINAK provides a warranty on all its products. This warranty, however, is subject to correct use in accordance with the specifications, maintenance being done correctly, and any repairs being carried out at a service centre, which is authorised to repair LINAK products.

Changes in installation and use of LINAK systems can affect their operation and durability. Therefore, changes must only be made according to agreement with LINAK A/S and changes are made at your own risk.

LINAK A/S

Important information

Important information on LINAK® products can be found under the following headings:



Warning!

Failure to comply with these instructions may result in accidents involving serious personal injury.



Failing to follow these instructions can result in the product being damaged or being ruined.

Safety instructions



Safe use of the system is possible only when the operating instructions are read completely and the instructions contained are strictly observed.

Failure to comply with instructions marked with the "NOTE" symbol may result in serious damage to the system or one of its components.

Persons who do not have the necessary experience or knowledge of the product/products must not use the product/products. Besides, persons with reduced physical or mental abilities must not use the product/products, unless they are under surveillance or they have been thoroughly instructed in the use of the apparatus by a person who is responsible for the safety of these persons.

Moreover, children must be under surveillance to ensure that they do not play with the product.



It is important for everyone who is to connect, install or use the systems to have the necessary information and access to this User Manual.



If there is visible damage on the product it must not be installed

Before installation, de-installation or troubleshooting:

- Stop the TD3.
- Switch off the power supply and pull out the mains plug.
- Relieve the TD3 of any loads, which may be released during the work.

Before start-up:

- Make sure that the system has been installed as instructed in this User Manual.
- Make sure that the voltage is correct before the system is connected to the mains. (See TD3 label on page 10).
- System connection. The individual parts must be connected before connection to the mains.

(continued)

During operation

- Take care that the cables are not damaged or get jammed.
 - The products must only be used in an environment, which corresponds to their IP protection or where no IP protection is required.
-

Repairs

In order to avoid the risk of malfunction, all TWINDRIVE® repairs must only be carried out by authorised LINAK workshops or repairers, as special tools must be used and special gaskets must be fitted. TWINDRIVE under warranty must also be returned to authorised LINAK workshops.



Warning!

If any of the TWINDRIVE® products are opened, there will be a risk of subsequent malfunction. Furthermore, the warranty will not cover, when the product has been opened by unauthorised personnel.



Warning!

The TWINDRIVE® systems do not withstand cutting oil.

• Statement – for all intentional and unintentional radiators:

Changes or modifications not expressly approved by the party responsible for compliance could void the user's authority to operate the equipment.

• Statement for Digital devices for Class B:

NOTE: This equipment has been tested and found to comply with the limits for a Class B digital device, pursuant to part 15 of the FCC Rules. These limits are designed to provide reasonable protection against harmful interference in a residential installation. This equipment generates, uses and can radiate radio frequency energy and, if not in-stalled and used in accordance with the instructions, may cause harmful interference to radio communications. However, there is no guarantee that interference will not occur in a particular installation. If this equipment does cause harmful interference to radio or television reception, which can be determined by turning the equipment off and on, the user is encouraged to try to correct the interference by one or more of the following measures:

- Reorient or relocate the receiving antenna.
- Increase the separation between the equipment and receiver.
- Connect the equipment into an outlet on a circuit different from that to which the receiver is connected.
- Consult the dealer or an experienced radio/ TV technician for help.

Misc. on the TD3 TWINDRIVE® system

This system is a TWINDRIVE system developed for leisure beds and for indoor use in private homes.

Warranty

There is 36 months' warranty on the TWINDRIVE® products TD3 and HB20 against manufacturing faults calculated from the production date of the individual products (see label). LINAK A/S' warranty is only valid in so far as the equipment has been used and maintained correctly and has not been tampered with. Furthermore, the system must not be exposed to violent treatment. In the event of this, the warranty will be ineffective/invalid. For further details, please see LINAK A/S' ordinary conditions of sale.

Maintenance

Clean dust and dirt on the outside of the system, at appropriate intervals and inspect them for damage and breaks.

Inspect the connections, cables and plugs and check for correct functioning as well as fixing points.



Check emergency lowering batteries yearly for their full capacity. If not, they have to be changed. Type 9V 6F22 or 6LR61.



The cleaners and disinfectants must not be highly alkaline or acidic (pH value 6-8).



It is not allowed to use solvents for cleaning up.



Max. load running head and foot end motors at the same time in upward direction is 350 Nm on Head motor, and 200 Nm on Foot end motor.

If massage motors are running at the same time, the load limit is reduced.

Description of the TWINDRIVE® TD3 system

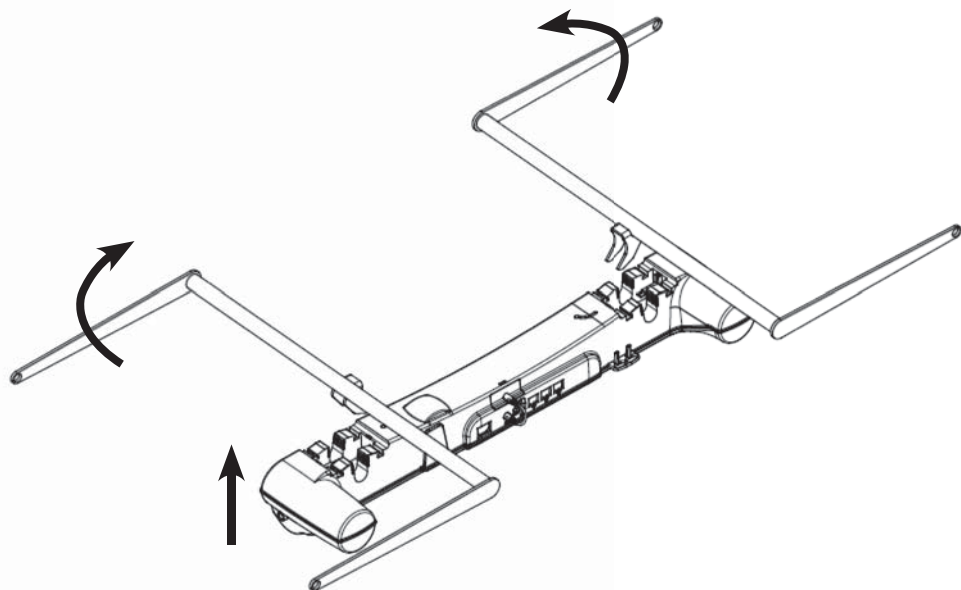
Each TWINDRIVE® TD3 unit consists of 2 internal motors and a built-in control, which makes it a very compact unit. The mains cable is exchangeable. Only the handset must be paired.

Application of the TWINDRIVE® TD3 system:

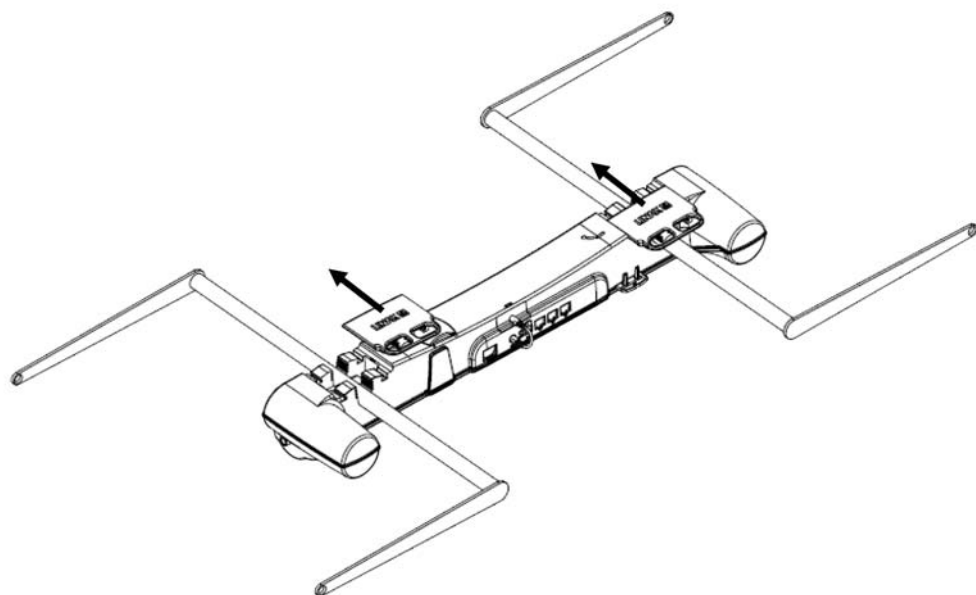
Irrespective of the load the **Duty cycle: 10% ~ 3 min./ hour or max. 2 min. at continuous use followed by 18 min. not in use.**

Do not turn on the system if it is not mounted in a bed.

Mounting guidelines for the TWINDRIVE® system



Place the TD3 below the twist brackets/ "arms" of the bed



Mount the TD3 and slide the closing devices over the gaps and make sure that the closing devices are in place before the TD3 is used.

Functional description

Transmitter HB10:



- Up – down head motor
- Up – down foot motor
- Simultaneous up/down

Transmitter HB20:



- Up – down head motor
- Up – down foot motor
- up to 3 extra channels



common operation up/down (option)



Memory positions
(3 positions)

Store Button

How to store

- Drive to the desired position
- Push "S"
- Immediately afterwards the desired memory position must be pushed (1, 2 or 3)
- The position is now stored

Drive to stored memory position

Push (1, 2 or 3) keep the button down until the position has been reached

Handset for massage

HB220G1+00003 (transmitter)



Usage:



Enter/exit message command mode

Sets the control in message mode for controlling the massage functions (LED flashing) or returns to normal mode for controlling the bed adjustment (LED off). Pressing this key has no influence on the TWINDRIVE unit except from waking it up to make its response time to massage commands shorter. If no keys are pressed in 10 min. the control will automatically go to normal mode (LED off).



Controlling the backrest massage motor

Short key press turns the backrest massage motor on or off (left key on, right key off).

Turning on a motor, which has been turned off by turning the intensity to off, starts the motor with lowest configured intensity.

Keep key pressed to adjust the intensity up or down (left key up, right key down). Keeping the down key pressed will turn the motor off when going below minimum intensity. The intensity can be controlled when running in a massage program, but the massage program will be temporarily halted and both motors are run with currently chosen intensity until up/down-key is released.



Controlling the legrest massage motor

Short key press turns the legrest massage motor on or off (left key on, right key off).

Turning on a motor, which has been turned off by turning the intensity to off, starts the motor with lowest configured intensity.

Keep key pressed to adjust the intensity up or down (left key up, right key down). Keeping the down key pressed will turn the motor off when going below minimal intensity. The intensity can be controlled when running in a massage program, but the massage program will be temporarily halted and both motors are run with currently chosen intensity until up/down-key is released.



Controlling the massage program

Short key press on left key turns on a massage program (constant on - handwave - software - hand pulse - soft pulse) or change to next program if a program is already activated.

Starting a massage program always turns on both motors at current intensity. Short key press on right key turns off both massage motors no matter if it is running in a massage program, or separately. Keep key pressed to adjust the motor change speed up or down (left key down, right key up.)



Store and recall massage settings.

2 massage settings can be stored.

Adjust the massage to the preferred settings. Pres the "S" key followed by either key "1" or "2". To recall a pervious stored setting pres key "1" or "2".

In general

Massage will turn off automatically 10 min. after the last adjustment of the settings.

Adjusting the bed will turn off the massage, but massage will automatically start up again afterwards.

When turning on a single massage motor it will start up with the same intensity as it was last time it was running as a single motor.

When turning on a massage program it will start up with the same settings (program, motor change speed, intensity) as it was last time.

Turning on a massage function can also be done by keeping the up key pressed. Then it will turn on, and after a short delay adjust the intensity up.

Massage functions can only be controlled by the transmitter. The receiver is a standard hand control.

Pressing any key on the receiver will stop the massage, and adjust the bed according to the key pressed. After releasing the key, massage will automatically start up again.

In case of any errors: current-limitation, high temperature or short-circuit, the massage system will stop both motors, even if only one motor is affected.

Normal operation

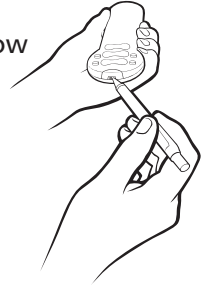
In normal mode to adjust the bed position, the hand control is working exactly as a normal Handset without massage functionality, except there are only 2 memory positions instead of 3.

If there are any extra motors in the system, the keys to control these motors will, as normal, be placed between the leg rest keys and the "reset and massage program" keys.

Child lock

To enable the function the position of the switch in the front of the transmitter must be changed.

To unlock the handset press up and down keys of the 2nd row at the same time for one sec. When the blue LED turns on the handset is unlocked for 10 sec. after last key press. Then it automatically locks again. If the up + down key is pressed more than 2 sec. the handset will lock again. If the handset is locked and the user tries to operate it, it will give a short flash with the LED to indicate "key is pressed, but handset is locked".



Enable/Disable Child lock

To enable the function the position of the switch in the front of the transmitter must be changed.

N.B The Child lock only locks actuator functions. Therefore, it is disabled while the HB is in massage command mode.

Unlock of Child lock

Press up and down keys of the 2nd row at the same time for one sec. When the blue LED turns on the handset is unlocked.



The handset is not unlocked If the key is not are released again before the blue led turns off.

Automatic lock

The handset is unlocked for 10 sec. after last key press. Then it automatically locks again.

Signaling of handset is locked

If the handset is locked and the user tries to operate it, it will give a short flash with the LED to indicate "key is pressed, but handset is locked".

Start-up - How to install RF handset:

The TD3 can accept commands from up to 2 RF handsets.

From the factory the TD3 cannot recognize any RF handsets at all and must be matched to the RF handset(s) by the end-user/bed manufacturer before these can control the TD3 operation.

Conditions which must be fulfilled prior to activating the learning mode:

- Both the back and the leg actuators must be in the fully down position; *if one or both actuators are NOT in the fully down position; the matching procedure cannot be continued as now an ordinary reset down function is performed instead.* Thereafter the reset key must be released and re-activated.

Activating the learning mode:

- Activate the reset key on the TD3 by using a pen or similar to keep the button pressed.
- Keeping the reset key activated; the RF handset(s) must be activated one at a time by pressing a random key on the RF handset. The RF handset ID's are stored in the TD3 memory and at the same time, previous RF handset ID's are erased.



HB12



HB20

- After having activated the RF handset keys; the reset key must be released.
- If no RF handset keys are activated during the matching procedure; no changes are made in the ID memory of the TD3.



Disturb of RF signals:

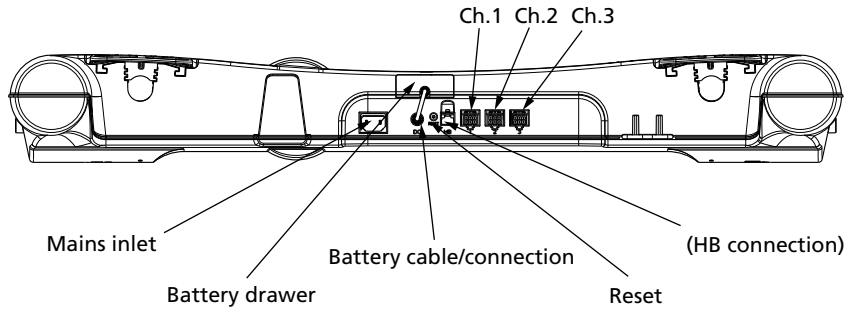


Please be aware that other equipments (as e.g. doorbells) which use the 433 MHz can disturb the RF signal.



Under some circumstances it isn't possible to run 2 or more TD3 at the same time (RF signal gets disturbed).

Connections



Connection of massage motors:

CH1	CH2
Footrest	Headrest

Connection of LA27 actuators:

TD3 will default detect and run LA27 using plug and play rules illustrated in table below. Idea is Headrest is the first actuator then Footrest then Extra function. Headrest is always the one nearest Back-end and Footrest always the one nearest Leg-end.

CH1	CH2	CH3
Headrest	-	-
-	Headrest	-
-	-	Headrest
Footrest	Headrest	-
Footrest	-	Headrest
-	Footrest	Headrest
Footrest	Extra function	Headrest

Start up/initialisation of LA27:

After connection of the LA27 the system has to be initialised. Push on the button down for the LA27 which has to be initialised, when the sound from the LA27 stops is the system initialised. If more than 1 actuator is connected, the same has to be done with the other channels.

Changing of batteries

1. Remove the battery cover (see *Figure 1*).
2. Use a blunt instrument to remove the battery.
3. Place 3 new batteries type R03 or LR03 (AAA) in the transmitter. Press a button for 3 sec. If above procedure not is performed the handset will function anyway after app. 5 minutes. Direction of how to place the batteries in the transmitter is shown in *Figure 2*

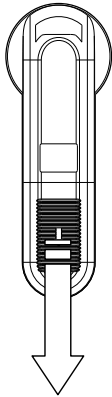


Figure 1

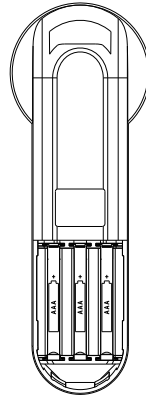
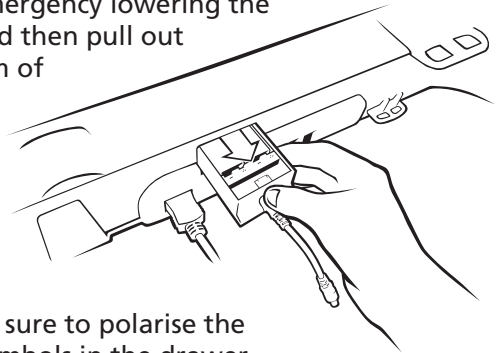


Figure 2

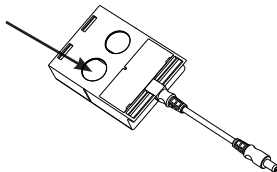
Removal/fitting of the 2 x 9 V batteries:

To change the 2 x 9 V batteries for emergency lowering the first step is to disconnect the cable and then pull out the drawer of the TD3. On the bottom of the drawer are 2 holes where to push with a finger or a blunt instrument. The batteries will be released from the drawer when pushing. The new batteries can be placed and the drawer can be placed in the TD3 as well as the cable again.

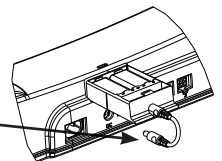
Only use alkaline batteries, and make sure to polarise the batteries correctly according to the symbols in the drawer. Lifetime when not used is 5 years.



To pull out the batteries press here



Remember to connect the cable again afterwards



Disposal of batteries.

"Details regarding safe disposal of used and leaking batteries: Batteries should be disposed in accordance with appropriate federal, state and local regulations. LINAK recommends that used or leaking batteries are disposed through the local recycling system. Please do not throw used or leaking batteries in normal household waste or in nature. This will cause damage to the environment.

How to deal with leaking batteries.

Leaking batteries should be disposed as described above.

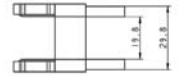
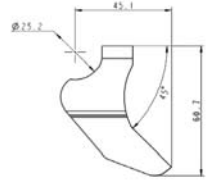
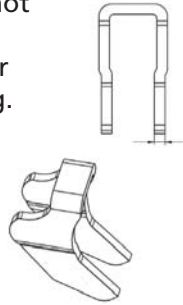
If leaking batteries are discovered in the product the batteries must be removed at once to minimise damage to the product. If leaking batteries are left in the product it might become defect.

It is recommended to use plastic gloves when handling leaking batteries. The contents of a leaking batteries can cause chemical burns and respiratory irritation.

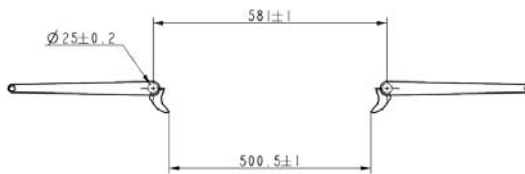
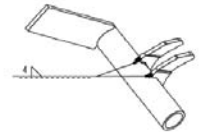
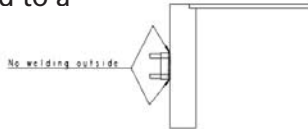
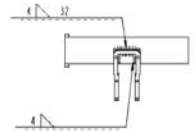
If exposed to the contents of a leaking battery, please wash with soap and water. If irritation persists, please seek medical attention. In case of eye contact, please flush eyes thoroughly with water for 15 minutes and seek medical attention."

Welding the twist bracket on the frame

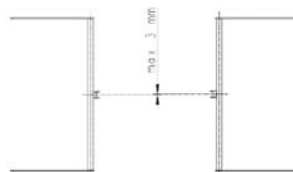
- 1) For the TD3 it is important that it is not welded on the outside of the twist bracket because there is not room for a welding seam in the motor housing. Instead weld the bracket on the whole length of its ends.



- 2) To maintain the correct angle of rotation of the head rest and the foot rest it is important that the twist bracket is welded according to the below instructions. Non compliance with the instructions could lead to a smaller angle of rotation or in a worst case damage to TD3.

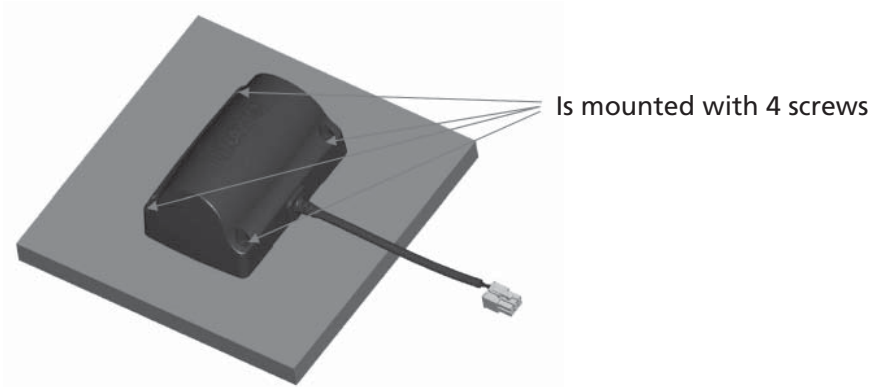


Tolerance of the parallels:

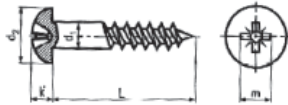


Mounting instructions of the massage motor:

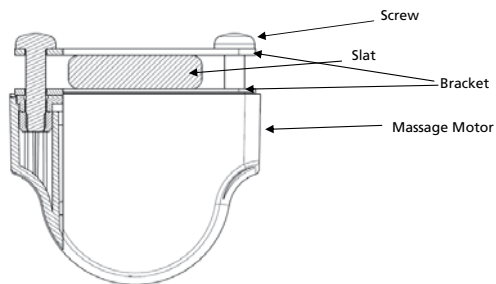
Mounting on plate:



The massage unit is mounted with 4 x 4 mm round headed wood screws with flat underside. The head must be 8 mm in diameter and in length 19 mm + the thickness of the plate where the massage motor is mounted. Torque max. 2 Nm + resistance in the plate.

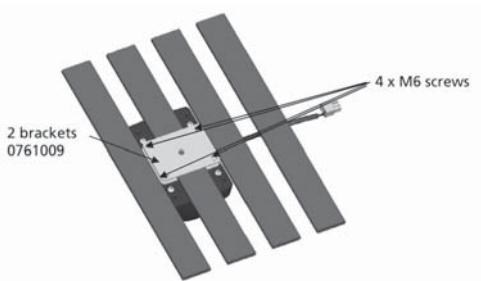


Mounting instructions of the massage motor by using brackets:



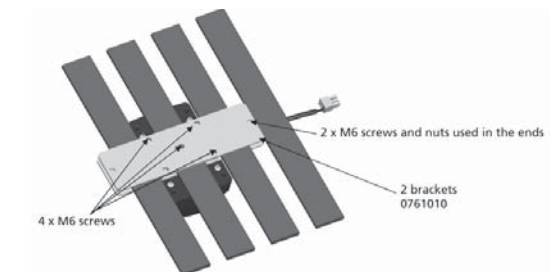
The massage unit is mounted with 4 x M6 round headed machine screws with flat underside. 15 to 20 mm long + the thickness of the bracket. Torque max. 2-3 Nm. 2 Brackets must be used – one on each side of the slat.

Mounted on one slat:

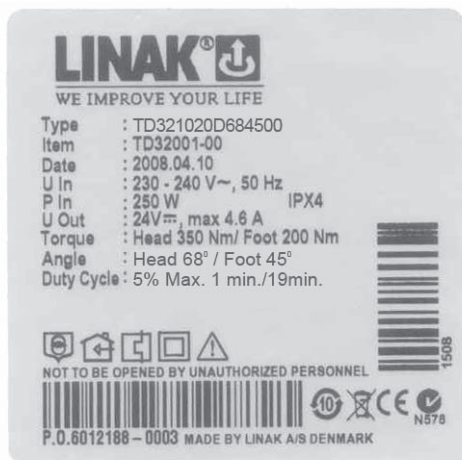


The massage motor is mounted to the slat by using 2 brackets 0761009 and 4 x M6 screws of good quality. Inside the motor 4 self-locking nuts avoid the mounting screws to get loose.

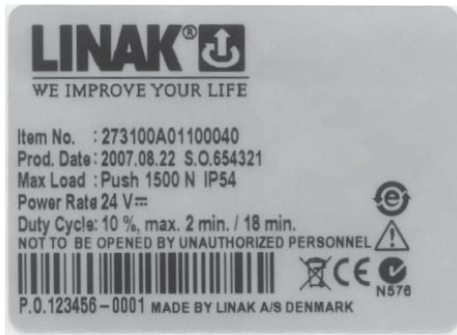
Mounted on three slats:



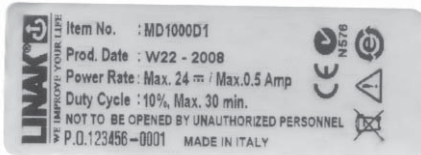
Label for the TD3 TWINDRIVE® System



Label for the LA27



Label for the Massage Motor



Label for HB12 and HB20



Disposal of LINAK's products

As LINAK's customers often ask us how our products can be disposed of or scrapped we have prepared this guidance that enables a classification to different waste fractions for recycling or combustion.

Guidance

We recommend to disassemble our product into as many fractions as possible at the disposal and try to make it recyclable. As examples of main groups within waste fractions we can mention:

Metal, plastic, cable shoe, combustible waste, and collection for recovery.

Some of these main groups can be subdivided, e.g. metal can be divided into iron, stainless steel and aluminium, and alloy steel. Plastic can e.g. be divided into ABS, PA, PE, and PP.

As an example of sorting, please find below a list stating in which recycling groups the different components of LINAK's products ought to be placed:

Product	Components	Recycling group
Actuator:	Spindle and motor Plastic housing Cable	Scrap Plastic recycling or combustion Cable scrap or combustion
Massage motor:	Plastic housing Cable	Plastic recycling or combustion Cable scrap or combustion
Twindrive:	PCB Plastic housing Cable Trafo Scrap Batteries Spindle and motor	Electronics scrap Plastic recycling or combustion Cable scrap Recovery Scrap
Handset/Control:	Plastic housing Cable PCB	Plastic recycling or combustion Cable scrap Electronics scrap

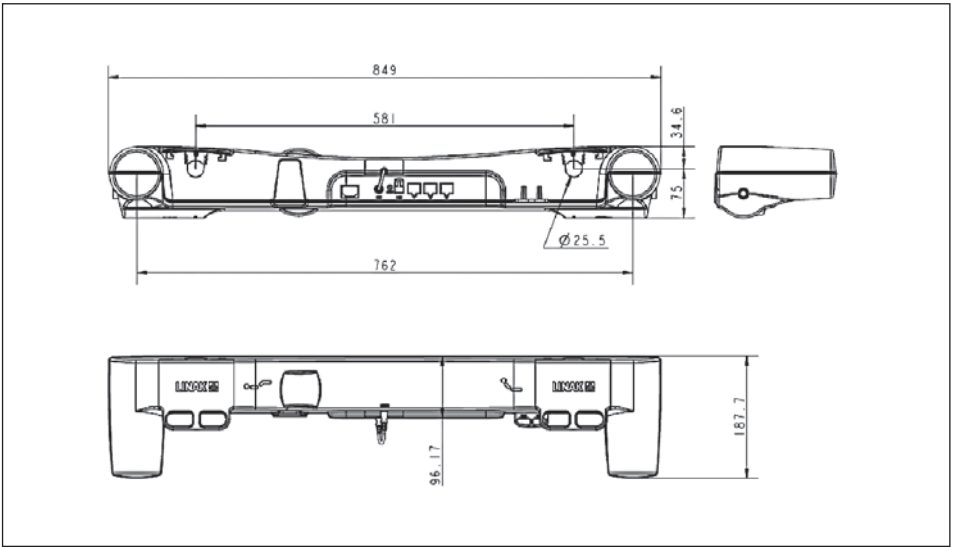
By now almost all our casted plastic parts are supplied with an interior code for plastic type and fibre contents, if any.

Main groups of disposal

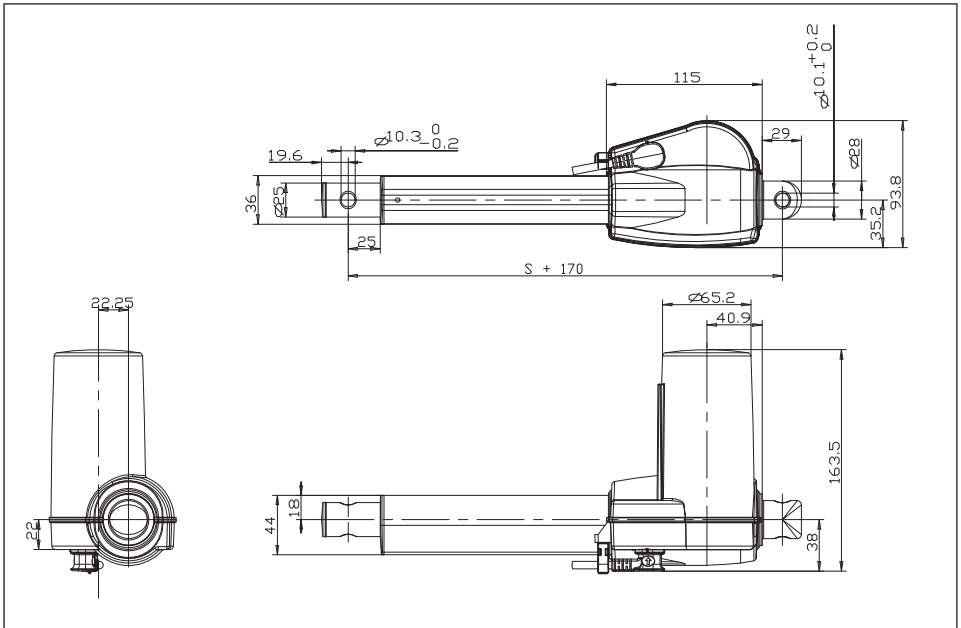
Product main groups	Scrap	Cable scrap	Electronics scrap	Plastic recycling or combustion	Comments
LA27	X	X		X	The metals can be sorted for steel or aluminum
TD3	X	X			The metals can be sorted for steel or aluminum
HB10		X	X	X	
HB20		X	X	X	
MD1	X	X		X	

DRAWING APPENDIX

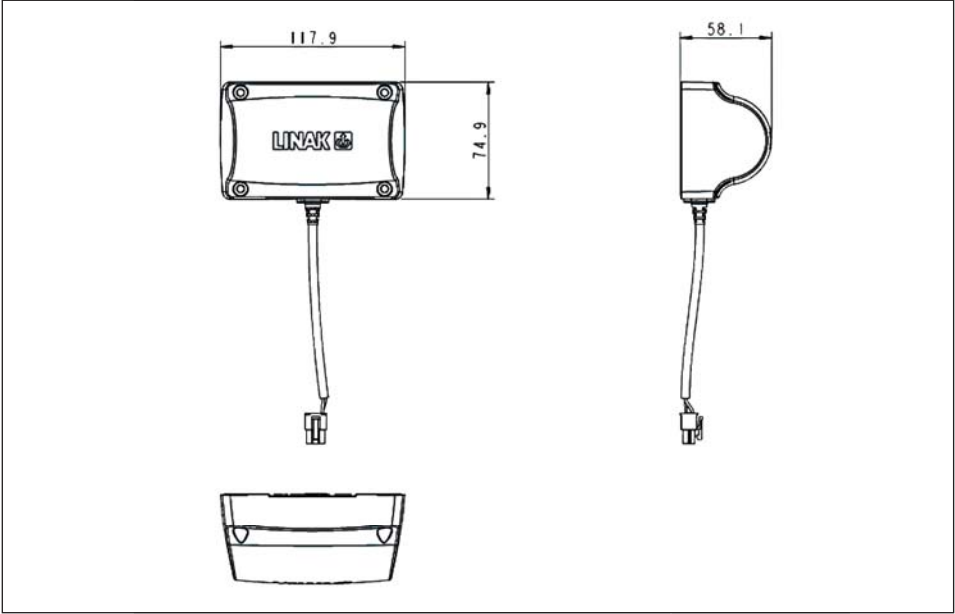
TWINDRIVE® TD3 System:



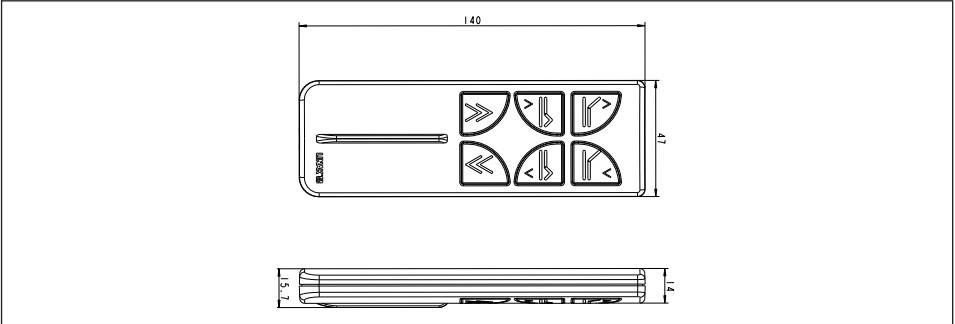
LA27



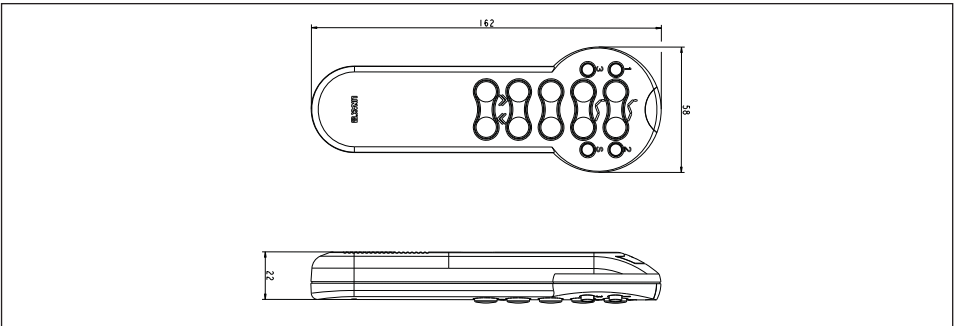
Massage motor MD1



HB10 Transmitter



HB20 Transmitter



Manufacturer's declaration

Implementation with regard to the Community
legislation on machinery

Directive 98/37/EC attachment II B:

LINAK A/S, subsidiaries or representatives,
(see back cover)

prohibit that actuators are put into service
until the machinery into which the actuator is to be
incorporated has been declared in conformity with
the provisions of all relevant Directives.

Bent Jensen
LINAK A/S

LINAK APPLICATION POLICY

The purpose of the application policy is to define areas of responsibilities in relation to applying a LINAK product defined as hardware, software, technical advice, etc. related to an existing or new customer application.

LINAK products as defined above are applicable for a wide range of applications within the Medical, Furniture, Desk, and Industry areas. Yet, LINAK cannot know all the conditions under which LINAK products will be installed, used, and operated, as each individual application is unique.

The suitability and functionality of the LINAK product and its performance under varying conditions (application, vibration, load, humidity, temperature, frequency, etc.) can only be verified by testing, and shall ultimately be the responsibility of the LINAK customer using any LINAK product.

LINAK shall be responsible solely that the LINAK products comply with the specifications set out by LINAK and it shall be the responsibility of the LINAK customer to ensure that the specific LINAK product can be used for the application in question.

FACTORIES

CHINA

LINAK (Shenzhen) Actuator Systems, Ltd.
Phone: +86 755 8610 6656 · Fax: +86 755 8610 6990
E-mail: sales@linak.cn · www.linak.cn

DENMARK

LINAK A/S · Group Headquarters Guderup
Phone: +45 73 15 15 15 · Fax: +45 74 45 80 48
Fax (Sales): +45 73 15 16 13
E-mail: info@linak.com · www.linak.com

SLOVAKIA

LINAK Slovakia s.r.o.
Phone: +421 51 57663 414 · Fax: +421 51 57663 410
E-mail: jp@linak.sk · www.linak.com

USA

LINAK U.S. Inc.
North and South American Headquarters
Phone: +1 502 253 5595 · Fax: +1 502 253 5596
E-mail: info@linak-us.com · www.linak-us.com

SUBSIDIARIES

AUSTRALIA

LINAK Australia Pty. Ltd
Phone: +61 3 8796 9777 · Fax: +61 3 8796 9778
E-mail: sales@linak.com.au · www.linak.com.au

AUSTRIA

LINAK GmbH
Phone: +43 2746 21036 · Fax: +43 2746 21044
www.linak.at

BELGIUM & LUXEMBOURG

LINAK Actuator-Systems NV/SA
Phone: +32 (0)9 230 01 09 · Fax: +32 (0)9 230 88 80
E-mail: info@linak.be · www.linak.be

BRAZIL

LINAK do Brasil Comércio de Atuadores Ltda.
Phone: +55 (11) 6832-7070 · Fax: +55 (11) 6832-7060
E-mail: linakbrasil@ig.com.br · www.linak.com.br

CANADA

LINAK Canada Inc.
Phone: +1 905 821 7727 · Fax: +1 905 821 4281
E-mail: info@linak.ca · www.linak.ca

CZECH REPUBLIC

LINAK C&S S.R.O.
Phone: +420581741814 · Fax: +420581702452
E-mail: ponizi@linak.cz · www.linak.cz

DENMARK

LINAK DANMARK A/S
Phone: +45 86 80 36 11 · Fax: +45 86 82 90 51
E-mail: linak@linak-silkeborg.dk · www.linak.dk

FINLAND

LINAK OY
Phone: +358 10 841 8700 · Fax: +358 10 841 8729
E-mail: linak@linak.fi · www.linak.fi

FRANCE

LINAK FRANCE S.A.R.L.
Phone: +33 (0)2 4136 3434 · Fax: +33 (0)2 4136 3500
E-mail: linak@linak.fr · www.linak.fr

GERMANY

LINAK GmbH
Phone: +49 6043 9655 0 · Fax: +49 6043 9655 60
E-mail: info@linak.de · www.linak.de

INDIA

LINAK A/S India Liaison Office
Phone: +91 80 2299 6533 · Fax: +91 80 2224 3863
E-mail: info@linak.in · www.linak.in

IRELAND

LINAK UK Limited
Phone: +44(0)121 544 2211 · Fax: +44(0)121 544 2552
E-mail: stephen@linak.co.uk · www.linak.co.uk

ITALY

LINAK ITALIA S.r.l.
Phone: +39 02 48 46 33 66 · Fax: +39 02 48 46 82 52
E-mail: info@linak.it · www.linak.it

JAPAN

LINAK K.K.
Phone: +81 45 533 0802 · Fax: +81 45 533 0803
E-mail: linak@linak.jp · www.linak.jp

MALAYSIA

LINAK A/S Asian Representative Office
Phone: +60 4 210 6500 · Fax: +60 4 226 8901
E-mail: info@linak-asia.com · www.linak-asia.com

NETHERLANDS

LINAK Actuator-Systems B.V.
Phone: +31 76 5 42 44 40 · Fax: +31 76 5 42 61 10
E-mail: info@linak.nl · www.linak.nl

NEW ZEALAND

LINAK New Zealand Ltd.
Phone: +64 9580 2071 · Fax: +64 9580 2072
E-mail: nzsales@linak.com.au · www.linak.co.nz

NORWAY

LINAK Norge AS
Phone: +47 32 82 90 90 · Fax: +47 32 82 90 98
E-mail: info@linak.no · www.linak.no

POLAND

LINAK Polska
Phone: +48 (22) 500 28 74 · Fax: +48 (22) 500 28 75
E-mail: dkreh@linak.com · www.linak.pl

SPAIN

LINAK Actuadores S.L.
Phone: +34 93 588 27 77 · Fax: +34 93 588 27 85
E-mail: linakact@linak.es · www.linak.es

SWEDEN

LINAK Scandinavia AB
Phone: +46 8 732 20 00 · Fax: +46 8 732 20 50
E-mail: info@linak.se · www.linak.se

SWITZERLAND

LINAK AG
Phone: +41 43 388 31 88 · Fax: +41 43 388 31 87
E-mail: info@linak.ch · www.linak.ch

TAIWAN

LINAK A/S Taiwan Representative Office
Phone: +886 2 250 80296 · Fax: +886 2 2508 3604
E-mail: info@linak.com.tw · www.linak-asia.com

TURKEY

LINAK A/S Turkey Representative Office
Phone: +90 312 4726338-59 · Fax: +90 312 4726635
E-mail: vozen@linak.com.tr · www.linak.com.tr

UNITED KINGDOM

LINAK UK Limited
Phone: +44(0)121 544 2211 · Fax: +44(0)121 544 2552
E-mail: sales@linak.co.uk · www.linak.co.uk

DISTRIBUTORS

ARGENTINA

NOVOTEC ARGENTINA SRL
Phone: +[54] (11) 4303-8900/89 · Fax: +[54] (11) 4032-0184
E-mail: info@novotecargentina.com
www.novotecargentina.com

COLOMBIA

MEM Ltda
Phone: +[57] (1) 334-7666 · Fax: +[57] (1) 282-1684
E-mail: serviciocliente@mem Ltda.com.co
www.mem Ltda.com.co

INDONESIA

PT. HIMALAYA EVEREST JAYA
Phone: +6 221 544 8956/65 · Fax: +6 221 619 4658/1925
E-mail: hejplastic-div@centrin.net.id

IRAN

Bod Inc.
Phone: +98 21 88527255 · Fax: +98 21 88514037
E-mail: mail@bod.ir · www.bod.ir

MEXICO

ILSA S.A. de C.V.
Phone: +[52] (55) 5388-3960 · Fax: +[52] (55) 5388-3966
E-mail: linak@ilsamexico.com · www.ilsamexico.com

RUSSIAN FEDERATION

000 FAM
Phone: +7 812 3319333 · Fax: +7 812 3271454
E-mail: purchase@fam-drive.ru · www.fam-drive.ru

SINGAPORE

SERVO DYNAMICS PTE. Ltd.
Phone: +65 6844 0288 · Fax: +65 6844 0070
E-mail: servodynamics@servo.com.sg · www.servo.com.sg

SOUTH AFRICA

Industrial Specialised Applications CC
Phone: +27 11 312 2292 or +27 11 2077600
Fax: +27 11 315 6999
www.stabilus.com

SOUTH KOREA

UNITEK ENG.
Phone: +82 2 567 0888 · Fax: +82 2 3453 1177
E-mail: unitekeng@unitekeng.co.kr · www.unitekeng.co.kr

UNITED ARAB EMIRATES

Mechtronics
Phone: +971 4 267 4311 · Fax: +971 4 267 4312
E-mail: mechtron@emirates.net.ae
www.mechtronics.ae

For contact details on other countries please visit
www.linak.com or contact:

LINAK INTERNATIONAL

Fax: +45 74 45 90 10
E-mail: info@linak.com · www.linak.com

The user is responsible for determining the suitability of LINAK products for a specific application.

LINAK A/S takes great care in providing accurate and up-to-date information on its products. However, due to continuing developments in order to improve its products, LINAK products are subject to frequent modifications and changes without prior notice. Therefore, LINAK cannot guarantee the correct and actual status of said information on its products. While LINAK uses its best efforts to fulfill orders, LINAK cannot, for the same reasons as mentioned above, guarantee the availability of any particular product. Therefore, LINAK reserves the right to discontinue the sale of any product displayed on its website or listed in its catalogues or other written material drawn up by LINAK.

All sales are subject to the Standard Terms of Sale and Delivery for LINAK A/S. For a copy hereof, please contact LINAK.



WE IMPROVE YOUR LIFE