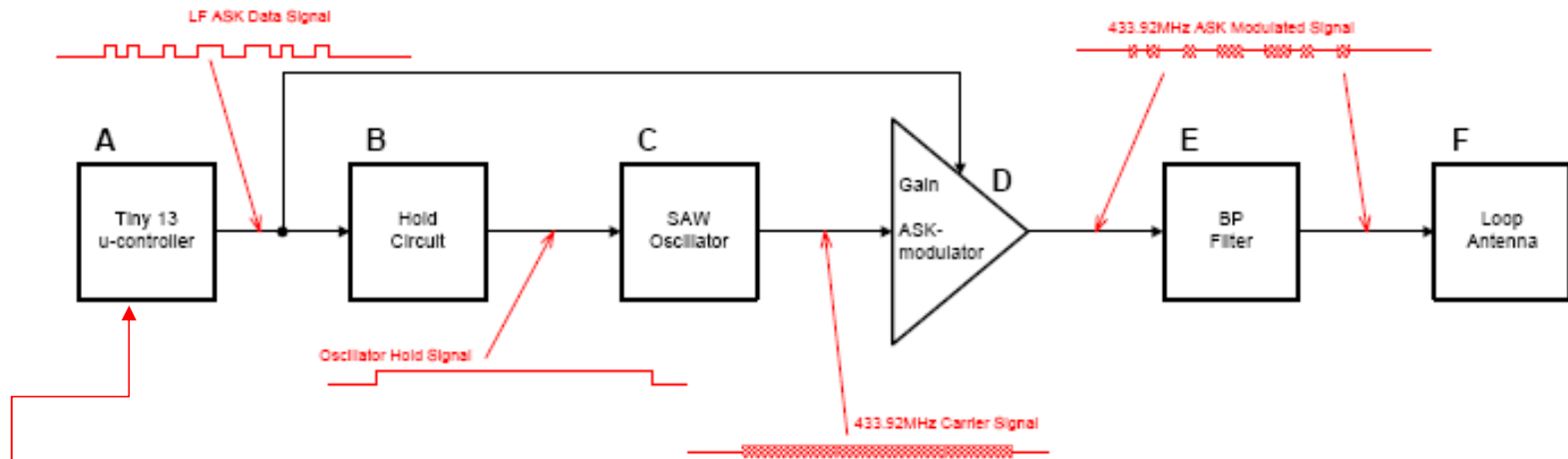


HB1xRFxxxx Block Diagram



The calibrated internal RC Oscillator provides a 4.8 MHz clock.

The ATtiny13 system clock can be divided by setting the Clock Prescale Register – CLKPR. In this application, the CLKPR is set to 8, and the clock frequency of the CPU is 600kHz.

The frequency of the 'Watchdog' is 128kHz.

HB1xRFxxxx Block diagram

Updated by Karsten E. Ottsen, 20090512

