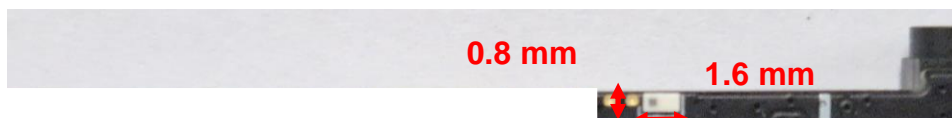


## Antenna Information

Item	Contents
Antenna Type	Multilayer Antenna
Antenna peak gain	1.6 dBi
Manufacturer / Model name	TDK Corporation / ANT016008LCS2442MA1
Address of manufacturer	No.68 West Huaihe Road, Dalian Economic & Technical Development Zone, Liaoning Province 116600, China
Test laboratory	TDK Corporation
Antenna Length	1.6 mm
Antenna Width	0.8 mm





May. 2020 Ver.6.0  
TDK Corporation

## Multilayer Antenna

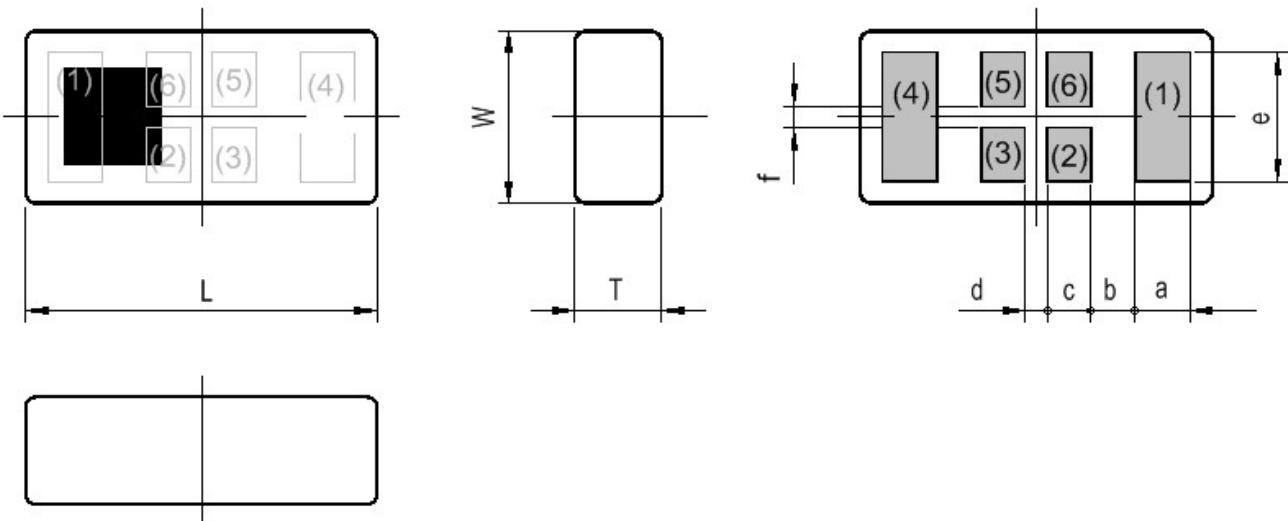
For 2.4GHz W-LAN & Bluetooth

ANT Series 1.6x0.8mm [EIA 0603] TYPE

P/N: **ANT016008LCS2442MA1**

## ANT016008LCS2442MA1

### ■ SHAPES AND DIMENSIONS



Dimensions (mm)

L	W	T	a	b	c	d	e	f
1.60	0.80	0.40	0.215	0.25	0.20	(0.10)	0.63	(0.10)
+/-0.10	+/-0.10	Max	+/-0.10	+/-0.10	+/-0.10		+/-0.10	

Terminal functions

(1)	Radiator electrode
(2)	Dummy pad
(3)	Dummy pad
(4)	Feed point
(5)	Dummy pad

(6)	Dummy pad
-----	-----------

\*Terminal (2),(3),(5) and (6) :Connected in inner structure

### ■ TERMINATION FINISH

Material
Au plate

## ANT016008LCS2442MA1

### ■ ELECTRICAL CHARACTERISTICS

( Measurement )

Parameter	Frequency (MHz)	TDK Spec		
		Min.	Typ.	Max.
VSWR	2400 to 2484	-	1.60	3.0
Antenna Gain (dBi)**	2400 to 2484	-	1.6	-
Polarization		Linear		
PCB Size (mm)		50 x 20		
Antenna keep-out Area (mm)		5 x 3		
Characteristic Impedance (ohm)		50 (Nominal)		

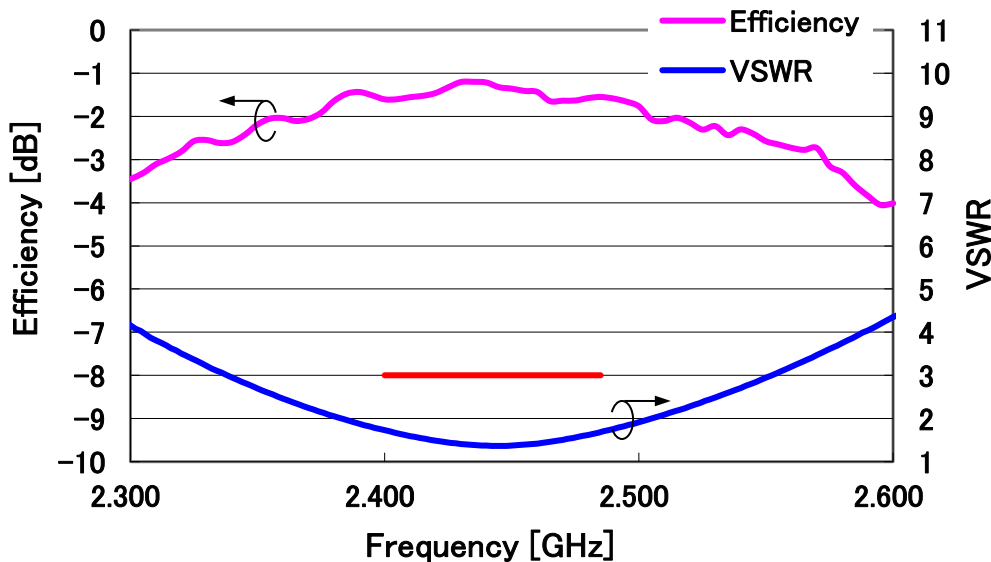
\* This is typical antenna performance with the standard PCB.

\*\* Reference value

### ■ FREQUENCY CHARACTERISTICS

Note: Tested antenna has been soldered. Evaluation board size is 50x20x1 mm.

Efficiency and VSWR



## ANT016008LCS2442MA1

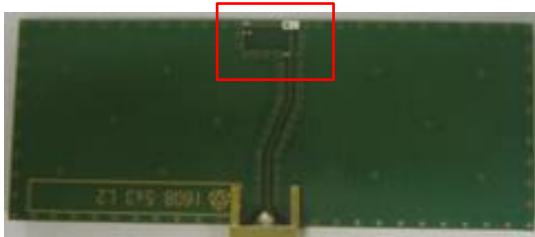
### ■ MAXIMUM RATINGS

Parameter	TDK Spec	Conditions
Operating temperature (°C)	-40 to +85 °C	
Storage temperature (°C)	-40 to +85 °C	
Power Handling (W) *1	0.8	CW
Human Body Model : HBM @Each Port (V)	+/-1000	100pF / 1500ohm
Machine Model : MM @Each Port (V)	+/-150	200pF / 0ohm
Charged Device Model : CDM @Each Port (V)	+/-500	Humidity : 60%RH max

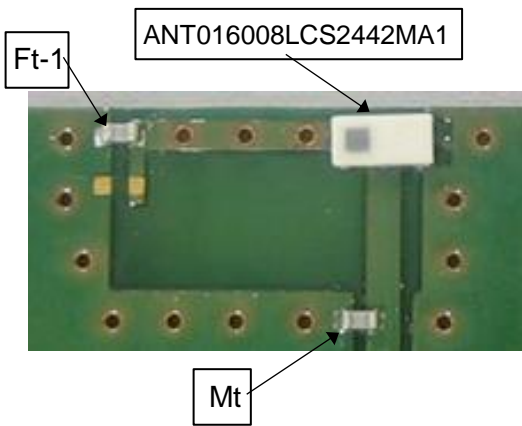
\*1 : Refer to 3GPP TS 38.101-1 V15.2.0

# ANT016008LCS2442MA1

## EVALUATION BOARD

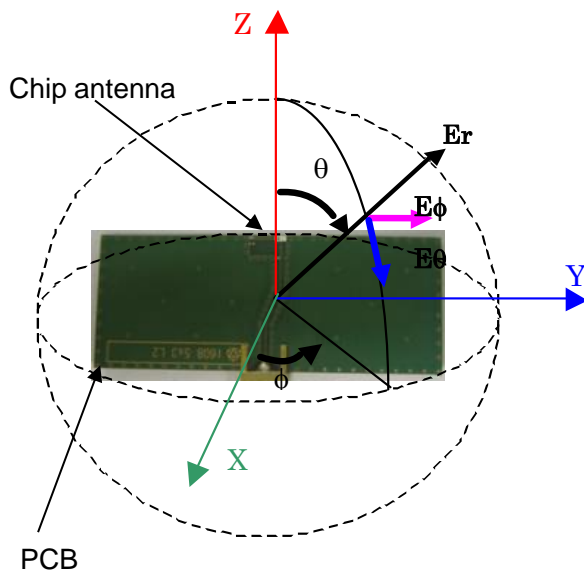


PCB size : 50mm x 20mm x 1mm  
Antenna area : 5 x 3 mm



	Element Value
Ft-1	6.2pF
Mt	0.8pF

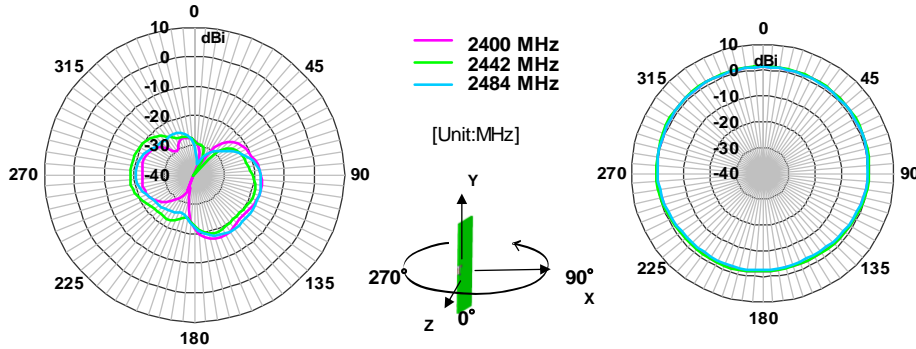
Measurement condition for Radiation pattern



# ANT016008LCS2442MA1

## Radiation Pattern

Note: Tested antenna has been soldered. Evaluation board size is 50x20x1 mm.  
2.4GHz band

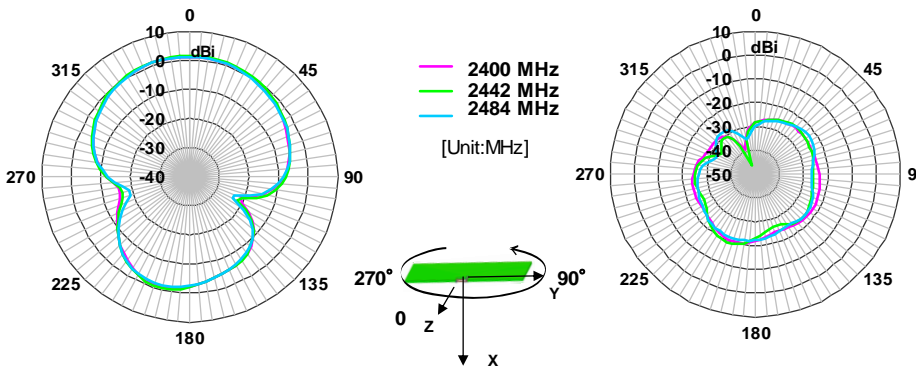


**Horizontal Polarization**

Frequency [MHz]	2400	2442	2484
Average[dBi]	-21.5	-21.5	-21.3
Maximum[dBi]	-16.9	-18.5	-17.2
Minimum[dBi]	-46.0	-40.8	-36.4

**Vertical Polarization**

Frequency [MHz]	2400	2442	2484
Average[dBi]	0.0	0.3	-0.2
Maximum[dBi]	1.3	1.6	1.2
Minimum[dBi]	-2.4	-2.2	-3.0

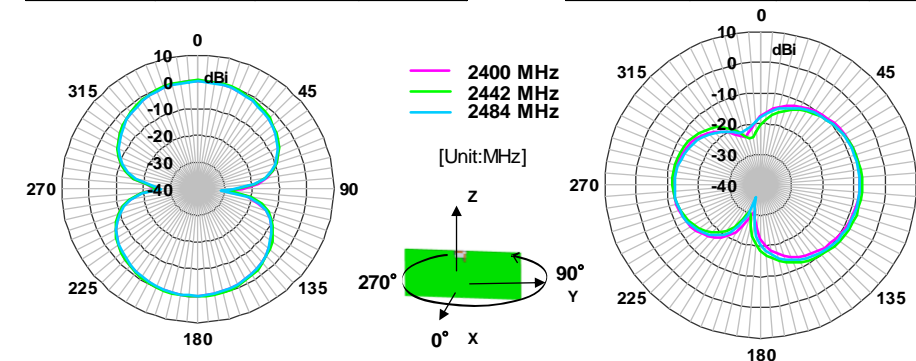


**Horizontal Polarization**

Frequency [MHz]	2400	2442	2484
Average[dBi]	-2.9	-2.6	-3.1
Maximum[dBi]	1.3	1.6	1.2
Minimum[dBi]	-21.5	-21.9	-23.6

**Vertical Polarization**

Frequency [MHz]	2400	2442	2484
Average[dBi]	-24.1	-24.7	-24.8
Maximum[dBi]	-20.2	-19.1	-21.5
Minimum[dBi]	-39.2	-46.1	-34.9



**Horizontal Polarization**

Frequency [MHz]	2400	2442	2484
Average[dBi]	-3.1	-2.7	-3.2
Maximum[dBi]	0.2	0.6	0.1
Minimum[dBi]	-29.8	-28.5	-31.3

**Vertical Polarization**

Frequency [MHz]	2400	2442	2484
Average[dBi]	-12.2	-11.8	-12.3
Maximum[dBi]	-8.0	-7.5	-8.2
Minimum[dBi]	-31.2	-30.5	-35.8

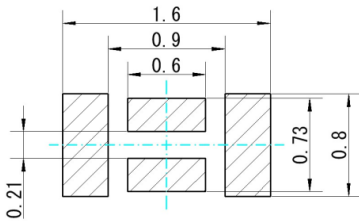
All specifications are subject to change without notice.

# ANT016008LCS2442MA1

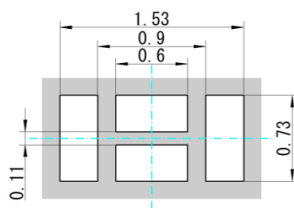
## RECOMMENDED LAND PATTERN

Recommend land pattern and solder resist pattern

< Land pattern >

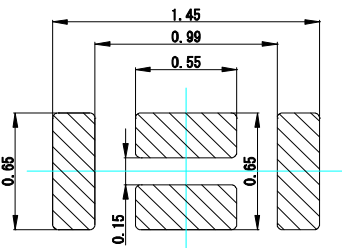


< Solder resist pattern >



- Center line of Chip
- Land Pattern
- Resist Pattern

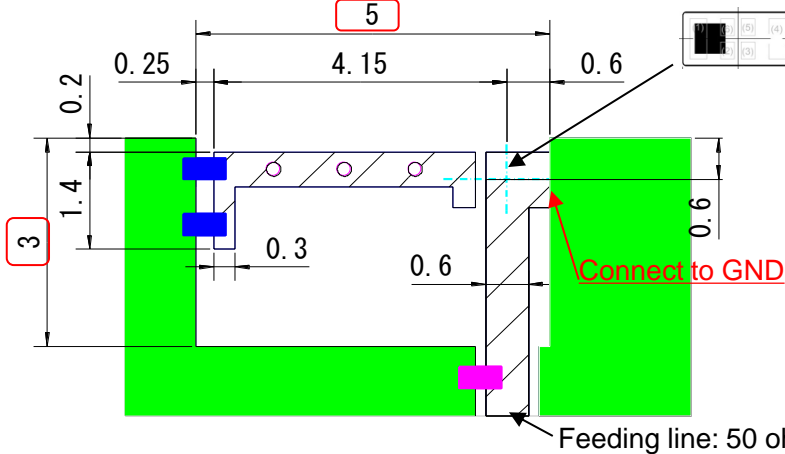
### Recommend aperture size of metal mask for solder



- Center line of Chip
- Aperture of metal

### Example of Antenna pattern layout (TDK Standard PCB)

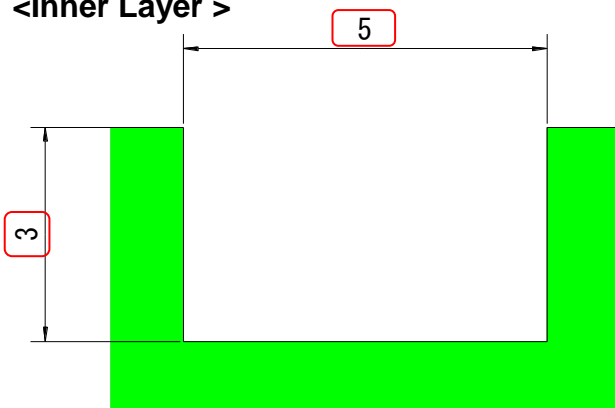
<Top Layer (Parts mounted side) >



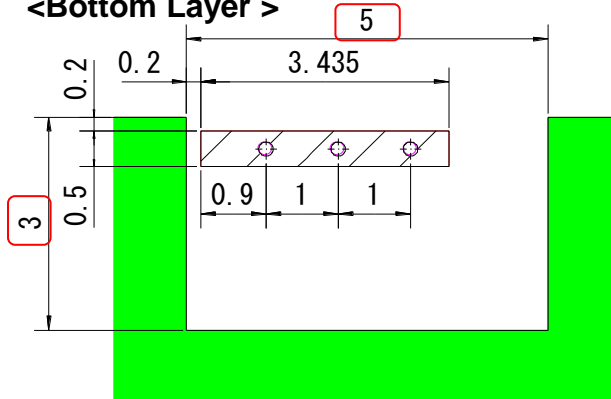
- Center line of Chip antenna
  - Antenna keep out area (All Layer GND off)
  - Ft : Frequency tuning component
  - Mt : Impedance matching component
  - Antenna Pattern
  - VIA :  $\Phi 0.2\text{mm}$
  - GND
- [ Unit : mm ]

Feeding line: 50 ohm

<Inner Layer >



<Bottom Layer >





May. 2020 Ver.6.0  
TDK Corporation

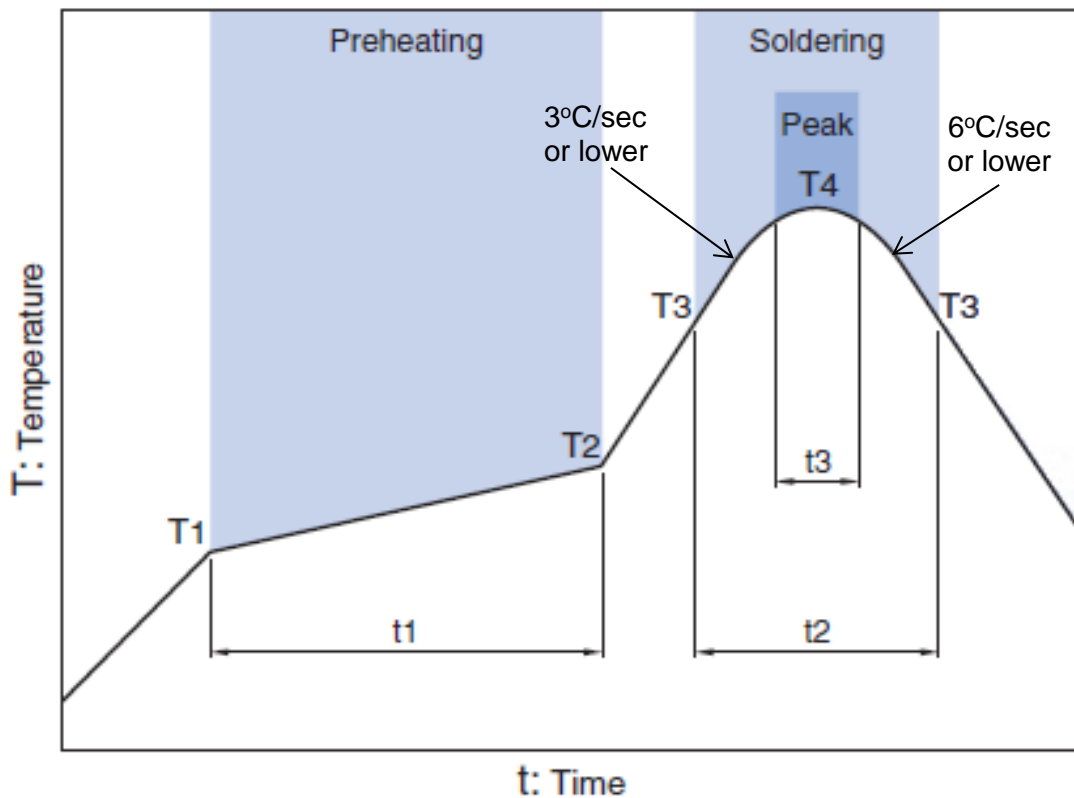
## ANT016008LCS2442MA1

### ■ ENVIROMENT INFORMATION

RoHS Statement  
RoHS Compliance

TDK Corporation

## RECOMMENDED REFLOW PROFILE



Preheating			Soldering			
			Critical zone (T3 to T4)		Peak	
Temp.	Temp.	Time	Temp.	Time	Temp.	Time
T1	T2	t1	T3	t2	T4	t3 *
150°C	200°C	60 to 120sec	217°C	60 to 120sec	240 to 260°C	30 sec Max

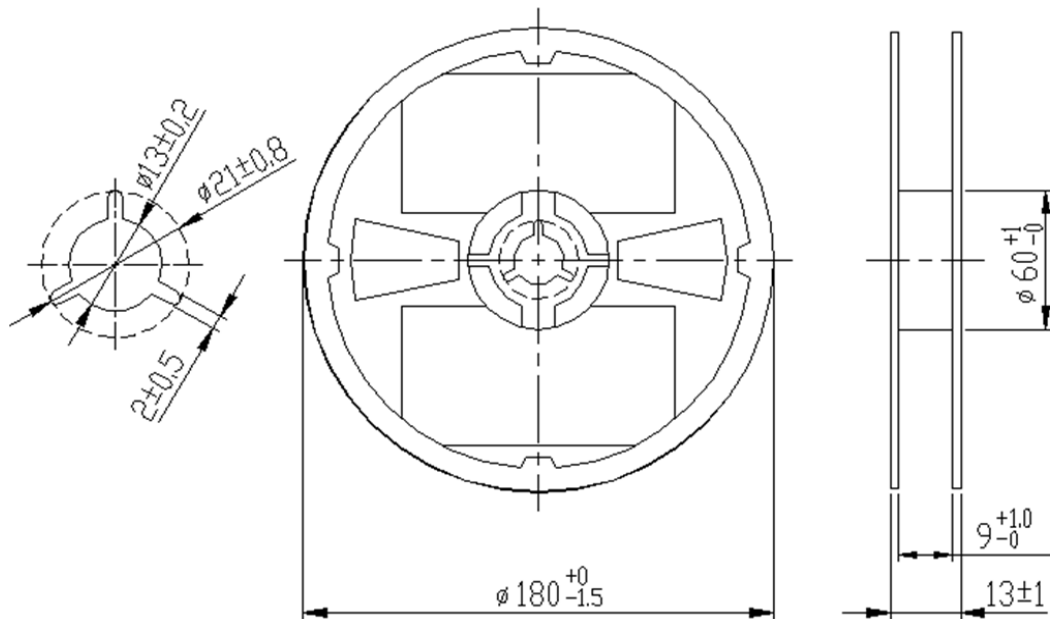
\* t3 : Time within 5°C of actual peak temperature

The maximum number of reflow is 3.

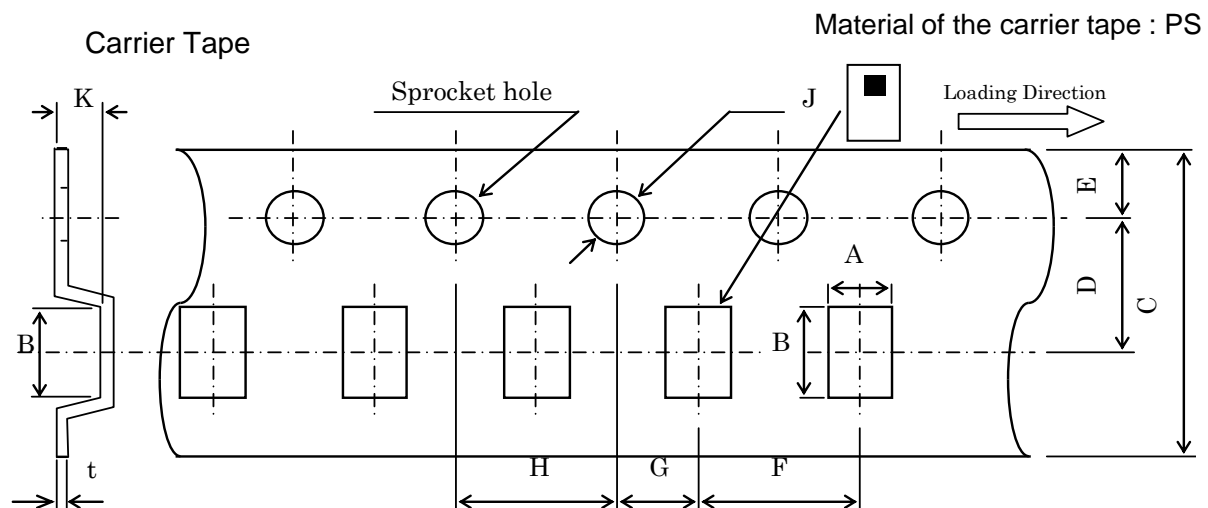
Note: Lead free solder is recommended.  
Recommended solder is Sn-3.0Ag-0.5Cu. (M705 by Senju Metal Industry)

**ANT016008LCS2442MA1****PACKAGING STYLE**

## Reel Dimensions



Dimensions in mm



## Dimensions (mm)

A	B	C	D	E	F	G	H	J	K	t
0.97	1.8	8.0	3.5	1.75	4.0	2.0	4.0	1.5	0.55	0.25
+/-0.05	+/-0.05	+/-0.2	+/-0.05	+/-0.1	+/-0.1	+/-0.05	+/-0.1	+0.1/-0	MAX	+/-0.05

**STANDARD PACKAGE QUANTITY**  
**( pieces/reel )**

4,000

All specifications are subject to change without notice.

TDK Technology - Proprietary and Confidential Information of TDK Group Companies

## REMINDERS FOR USING THESE PRODUCTS

Before using these products, be sure to request the delivery specifications.

### SAFETY REMINDERS

Please pay sufficient attention to the warnings for safe designing when using these products.

 **REMINDERS**

The products listed on this specification sheet are intended for use in general electronic equipment (AV equipment, telecommunications equipment, home appliances, amusement equipment, computer equipment, personal equipment, office equipment, measurement equipment, industrial robots) under a normal operation and use condition.

The products are not designed or warranted to meet the requirements of the applications listed below, whose performance and/or quality require a more stringent level of safety or reliability, or whose failure, malfunction or trouble could cause serious damage to society, person or property. Please understand that we are not responsible for any damage or liability caused by use of the products in any of the applications below or for any other use exceeding the range or conditions set forth in this specification sheet.

1. Aerospace/Aviation equipment
2. Transportation equipment (cars, electric trains, ships, etc.)
3. Medical equipment
4. Power-generation control equipment
5. Atomic energy-related equipment
6. Seabed equipment
7. Transportation control equipment
8. Public information-processing equipment
9. Military equipment
10. Electric heating apparatus, burning equipment
11. Disaster prevention/crime prevention equipment
12. Safety equipment
13. Other applications that are not considered general-purpose applications

When using this product in general-purpose applications, you are kindly requested to take into consideration securing protection circuit/equipment or providing backup circuits, etc., to ensure higher safety.