

1

2

3

4

5

6

7

8

REVISIONS			
LET	DESCRIPTION	DATE	APPROVAED
A	第一次发行		

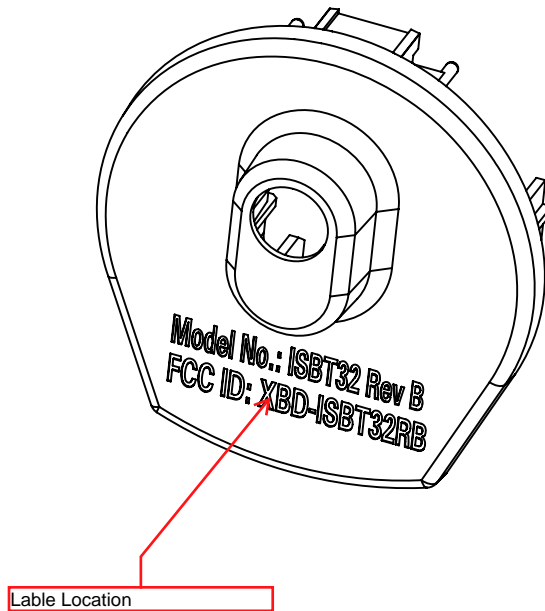
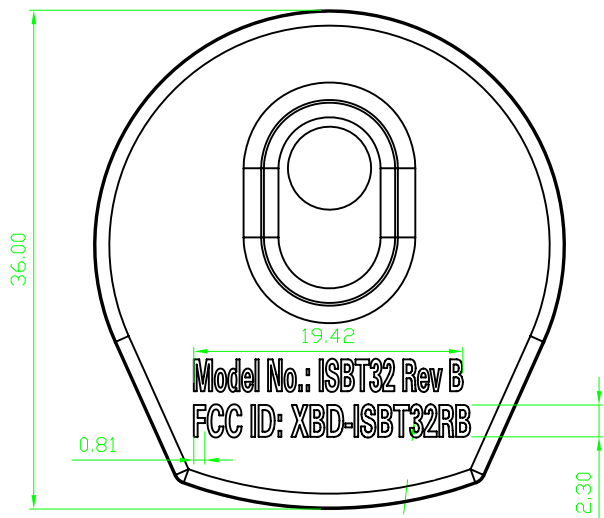
A

B

C

D

E



東莞天恒電子制品有限公司 Dongguan Skytech Creations Limited		TITLE: ISBT32R-下壳丝印																					
PART NO.		DRAWING BY																					
UNIT: mm	CUSTOMER NO. ***	CHECK BY	APPROVE BY																				
SCALE:	CUSTOMER OR USER'S NO. ***	UNLESS OTHERWISE SPECIFIED TOLERANCE																					
REV: A	DATE: 2018-2-1	<table border="1"> <thead> <tr> <th></th> <th>X</th> <th>XX</th> <th>XXX</th> <th>X"</th> </tr> </thead> <tbody> <tr> <td>A</td> <td>±0.20</td> <td>±0.10</td> <td>±0.05</td> <td>±1</td> </tr> <tr> <td>B</td> <td>±0.50</td> <td>±0.20</td> <td>±0.10</td> <td>±2</td> </tr> <tr> <td>C</td> <td>±0.80</td> <td>±0.40</td> <td>±0.20</td> <td>±3</td> </tr> </tbody> </table>			X	XX	XXX	X"	A	±0.20	±0.10	±0.05	±1	B	±0.50	±0.20	±0.10	±2	C	±0.80	±0.40	±0.20	±3
	X	XX	XXX	X"																			
A	±0.20	±0.10	±0.05	±1																			
B	±0.50	±0.20	±0.10	±2																			
C	±0.80	±0.40	±0.20	±3																			

备注:所有物質必須符合本厂环境有害物質管控標準最新版