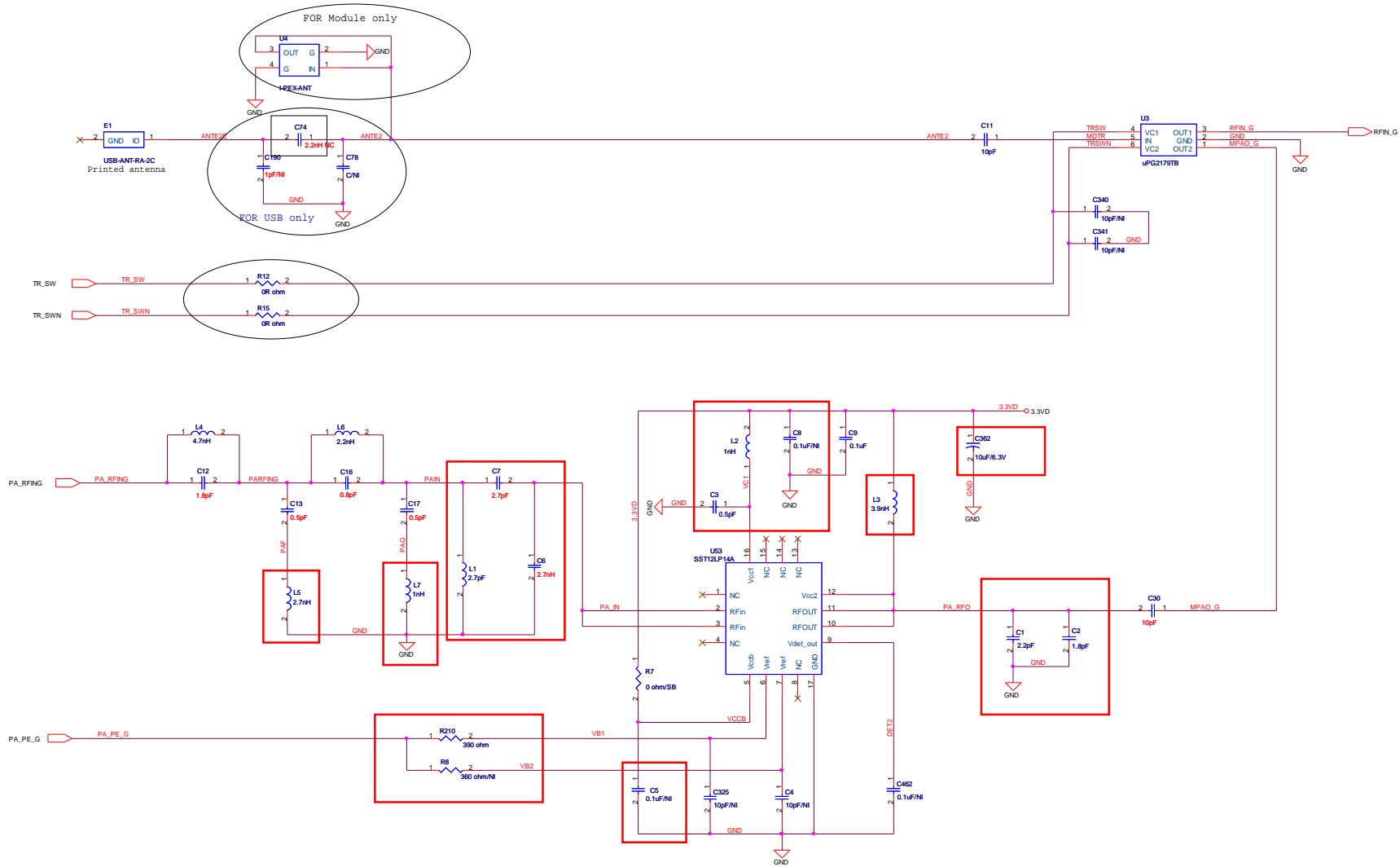

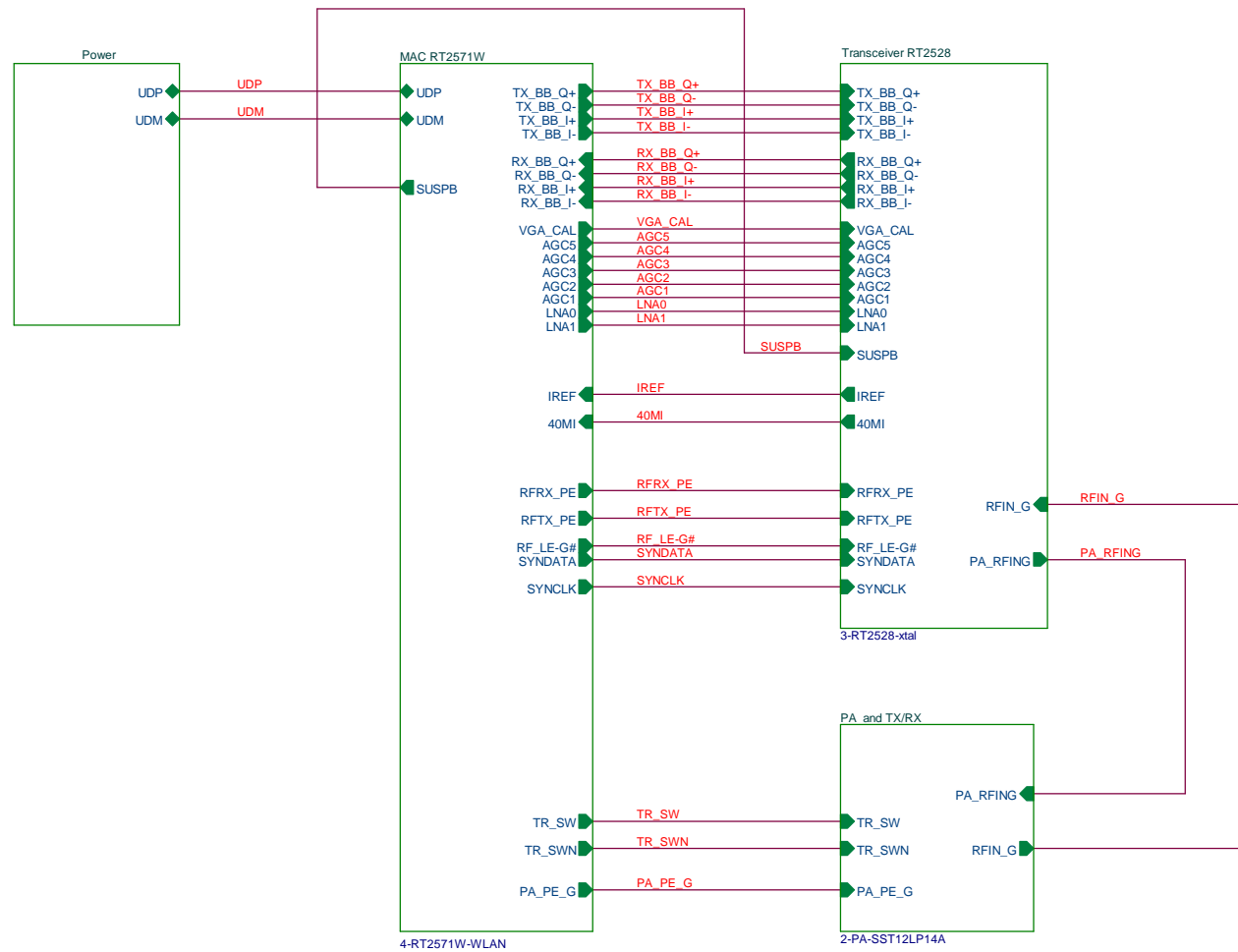



	Shenzhen Allwins Technology Corporation.	
	Title <b>AWU501G</b>	
Document Number	5- A .SCH	
Date: Tuesday, June 30, 2009	Sheet	5 of 5
		VER D



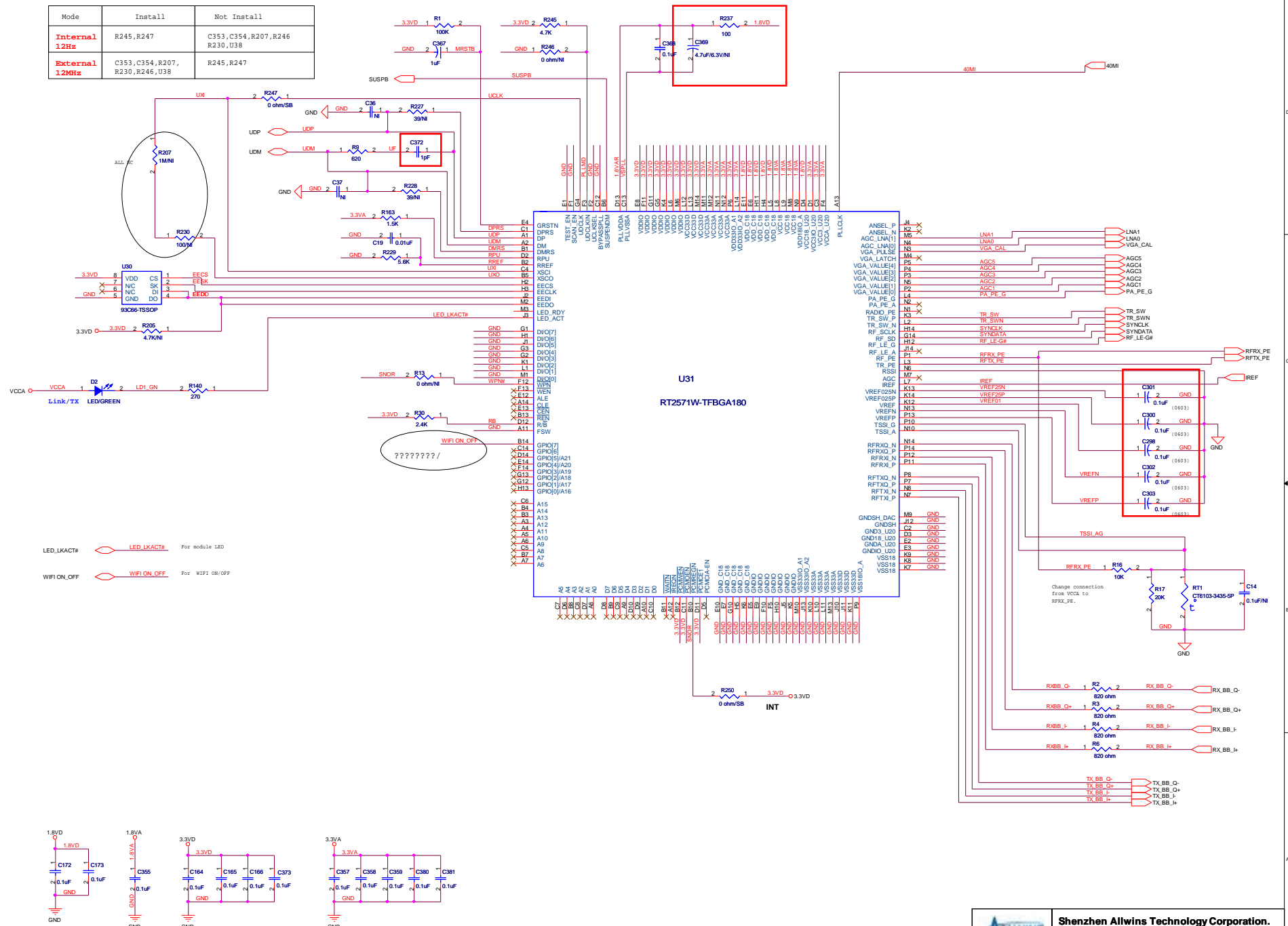
	<b>Shenzhen Allwins Technology Corporation.</b>		
	File	<b>AWU501G</b>	
Document Number	<b>2-PA-S5T12LP14A.SCH</b>		VER D
Date:	Tuesday, June 30, 2009	L Sheet	2 of 5



Filename:  
PEN-RT2501W-V31ST-X-4L-NOBPF.DSN

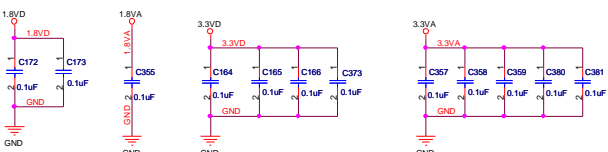
	Shenzhen Allwins Technology Corporation.	
	Title <b>AWU501G</b>	
Document Number	RT2501WUSB-V31ST-X.SCH	
Date:	Tuesday, June 30, 2009	Sheet 1 of 5
		VER D

Mode	Install	Not Install
Internal 12Hz	R245, R247	C353, C354, R207, R246 R230, U38
External 12MHz	C353, C354, R207, R230, R246, U38	R245, R247



LED\_LKACTF LED\_LKACTF For module LED

WIFI\_ON\_OFF WIFI\_ON\_OFF For WIFI ON/OFF



		<b>Shenzhen Allwins Technology Corporation.</b>	
File		<b>AWU501G</b>	
Document Number		<b>4-RT2571W-WLAN.SCH</b>	
Date:	Tuesday, Apr 30, 2008	Sheet	4 of 5