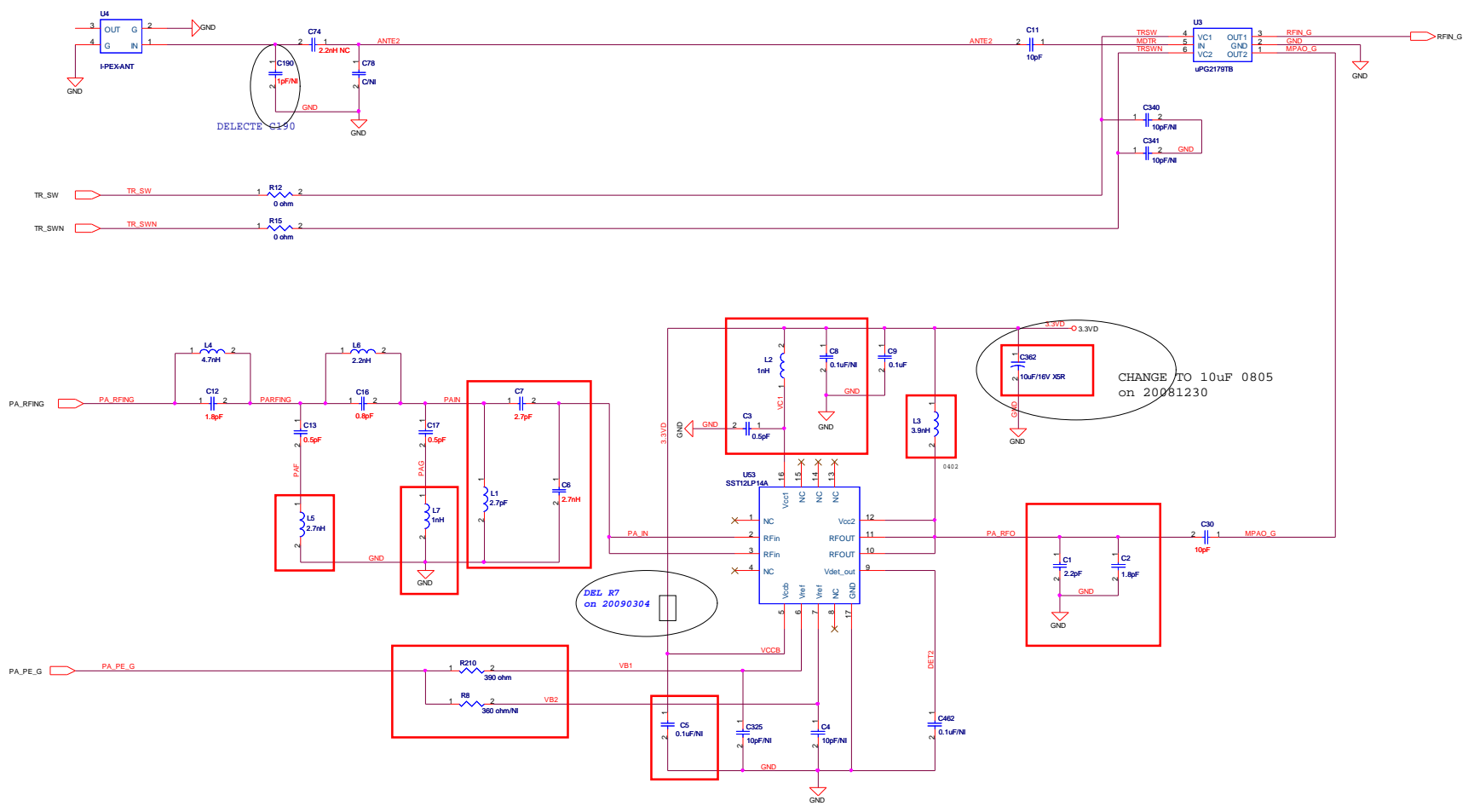
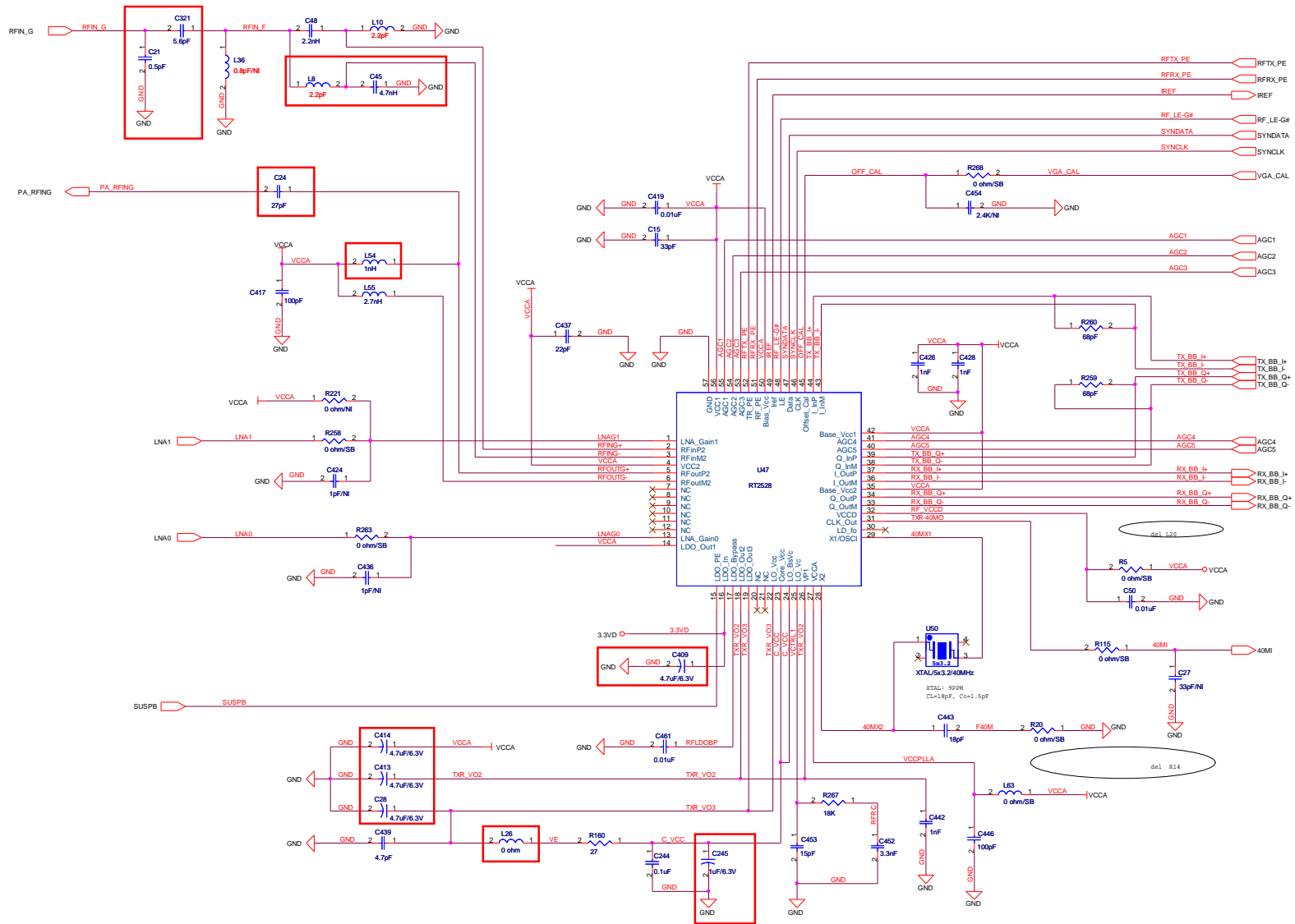


Filename:
 USB-PEN-RT2501W-V31ST-X-4L-NOBPF-060330.DSN

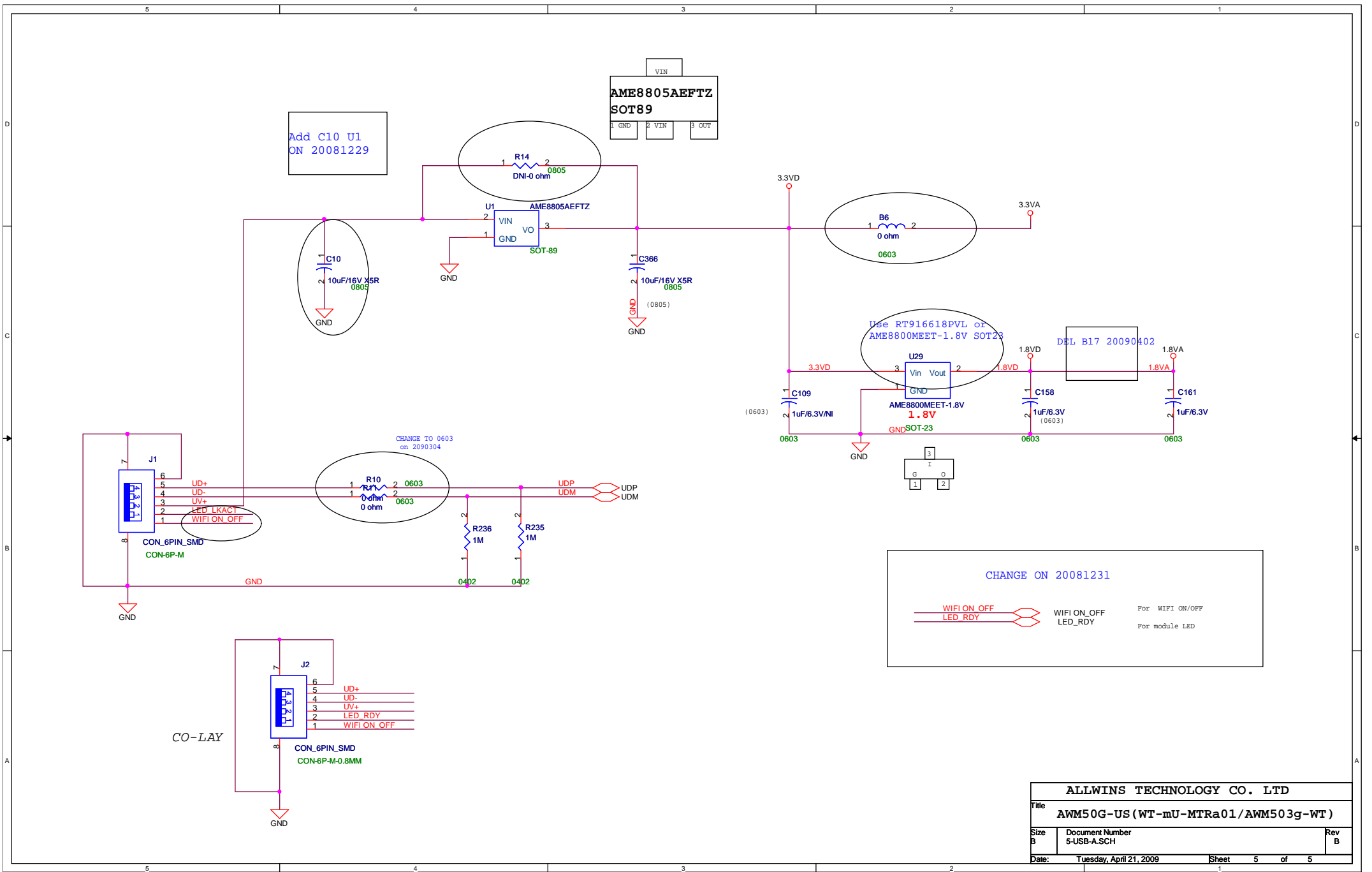
ALLWINS TECHNOLOGY CO. LTD		
Title AWM50G-US (WT-mU-MTRa01/AWM503g-WT)		
Size B	Document Number USB-RT2501WUSB-V31ST-X.SCH	Rev B
Date: Tuesday, April 21, 2009	Sheet 1	of 5



ALLWINS TECHNOLOGY CO. LTD		
File	AWM50G-US (WT-mU-MTRa01/AWM503g-WT)	
Size	Document Number	Rev
C	2-PA-SST12LP14A.SCH	B
Date	Tuesday, April 21, 2009	Sheet 2 of 5



ALLWINS TECHNOLOGY CO., LTD		
File	AWM50G-US (WT-mU-MTRa01/AWM503g-WT1)	
Size	Document Number	Rev
C	3-RT2528-xtal.SCH	B
Date	Tuesday, April 21, 2009	Sheet 3 of 5



ALLWINS TECHNOLOGY CO. LTD		
Title	AWM50G-US (WT-mU-MTRa01 / AWM503g-WT)	
Size	Document Number	Rev
B	S-USB-A.SCH	B
Date:	Tuesday, April 21, 2009	Sheet 5 of 5