

WHA YU INDUSTRIAL CO., LTD.(HEAD OFFICE)
 DONGGUAN AEON TECH CO.,LTD.(CHINA)
 SUZHOU AEON TECH CO.,LTD.(CHINA)
 AEON TECH (SHANGHAI) CO.,LTD(CHINA)
 DONGGUAN PARNER TECH CO.,LTD.(CHINA)



SPECIFICATION FOR APPROVAL

CUSTOMER: 雙贏偉業


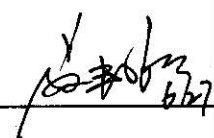
PART NAME: RF Antenna Cable Assembly

PART NO.:

REVISION:

W. Y. P/NO.: K136-510023-A

REV.: X1

	MANUFACTURER SIGNATURE	CUSTOMER SIGNATURE
APPROVED BY :		
DATE :		 2008.6.27

WHA YU GROUP

WHA YU INDUSTRIAL CO., LTD.(HEAD OFFICE)

譚裕實業股份有限公司

Address: No. 326, Sec. 2, Kung Tao 5 Road, Hsin Chu City, Taiwan, R.O.C.

Tel:+886-3-5714225(REP.) Fax:+ 886-3-5713853 · + 886-3-5723600

DONGGUAN AEON TECH CO.,LTD.(CHINA)

東莞台霖電子通訊有限公司

Address:Hupan Industrial District,Tai Ling Shan Town,Dong Guan City,Guangdong,China

Tel:+86-769-85655858 Fax:+86-769-85655258

SUZHOU AEON TECH CO.,LTD(CHINA)

蘇州華廣電通有限公司

Address:Limin North Road, LiLi Town,LiLi Industrial Park,LinHu Economic Zone

Wujiang City, Jiangsu Province, China

Tel:+86-512-63627980 Fax:+86-512-63627981

AEON TECH (SHANGHAI) CO.,LTD(CHINA)

普翔電子貿易(上海)有限公司

Address:Flat 501,5F,Build 27, NO.68,Guiqing Road, Huhui District, Shanghai,China

Tel:+86-21-64959151 Fax:+86-21-64959059

DONGGUAN PARNER TECH CO.,LTD.(CHINA)

東莞倍能電子有限公司

Address:Hupan Industrial District, Shida Road, Tai Ling Shan Town,

Dong Guan City, Guangdong, China

Tel:+86-769-81662366 Fax:+86-769-81602681

RF Antenna Cable Assembly

Specification

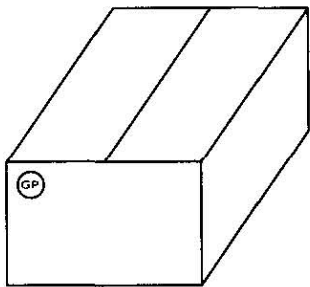
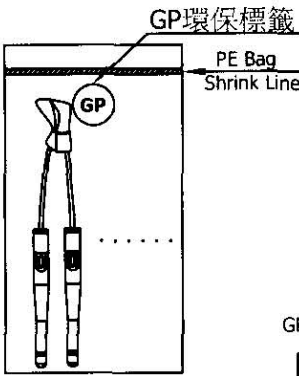
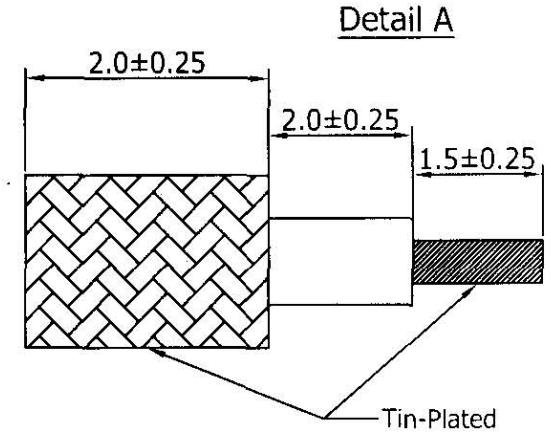
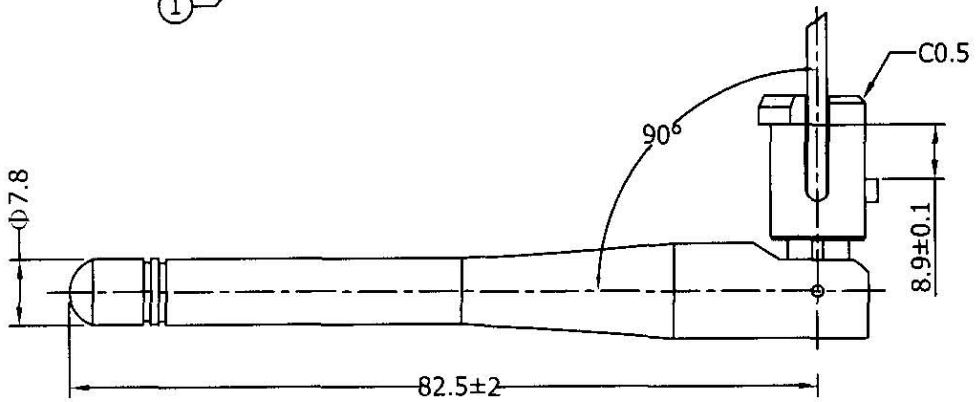
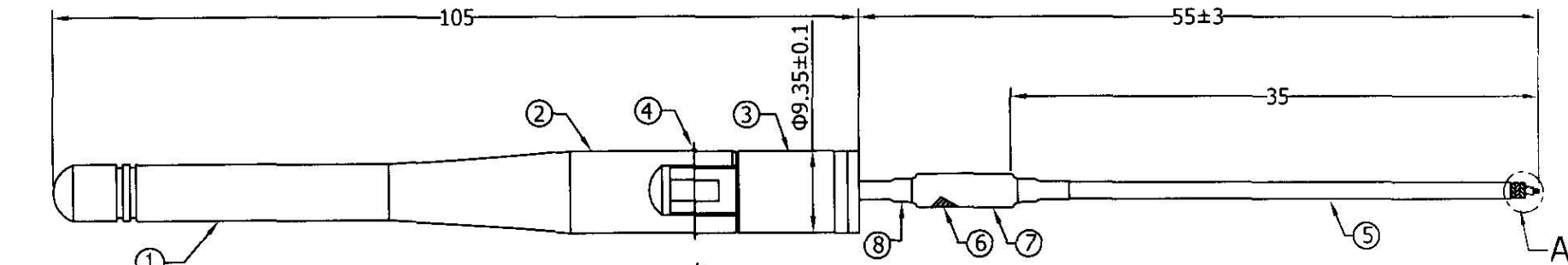
1. Electrical Properties :

- 1.1 Frequency Range..... 2.4GHz ~ 2.5GHz
- 1.2 Impedance 50Ω Nominal
- 1.3 VSWR 1.92:1 Max.
- 1.4 Return Loss..... -10 dB Max.
- 1.5 Radiation Omni-directional
- 1.6 Gain(peak)..... 2.0dBi (excluding cable loss)
- 1.7 Cable Loss..... 0.5dB Max.
- 1.8 Polarization..... Linear ; Vertical
- 1.9 Admitted Power..... 1W
- 1.10 Cable..... Φ1.13Coaxial Cable

2. Physical Properties :

- 2.1 Antenna Body..... TPE
- 2.2 Antenna Base..... PC
- 2.3 Antenna Base..... PBT
- 2.4 Operating Temp. -10°C ~ +60°C
- 2.5 Storage Temp. -10°C ~ +70°C
- 2.6 Color Black

REV	DATE	DESCRIPTION
X1	06/24-2008	New Issue



GP標籤貼於紙箱兩側左上角(共2PCS)

NO	DESCRIPTION	QTY	REMARK
8	H.S.Tube Heat Shrink Tube	2	
7	Core RH 4*10*2mm	1	
6	H.S.Tube Heat Shrink Tube	1	
5	Cable (Φ 1.13mm Cable, Gray, 50 Ω)	1	
4	Rivet POM, Color: Black	2	
3	Antenna Base PBT, Color: Black	1	
2	Antenna Base PC, Color: Black	1	
1	Antenna Body TPE, Color: Black	1	

CUSTOMER'S SIGNATURE

XX.	±5.0	APPROVED
X.	±3.0	<i>[Signature]</i>
.X	±1.0	CHECKED
.XX	±0.5	<i>[Signature]</i>
.XXX	±0.1	DRAWING

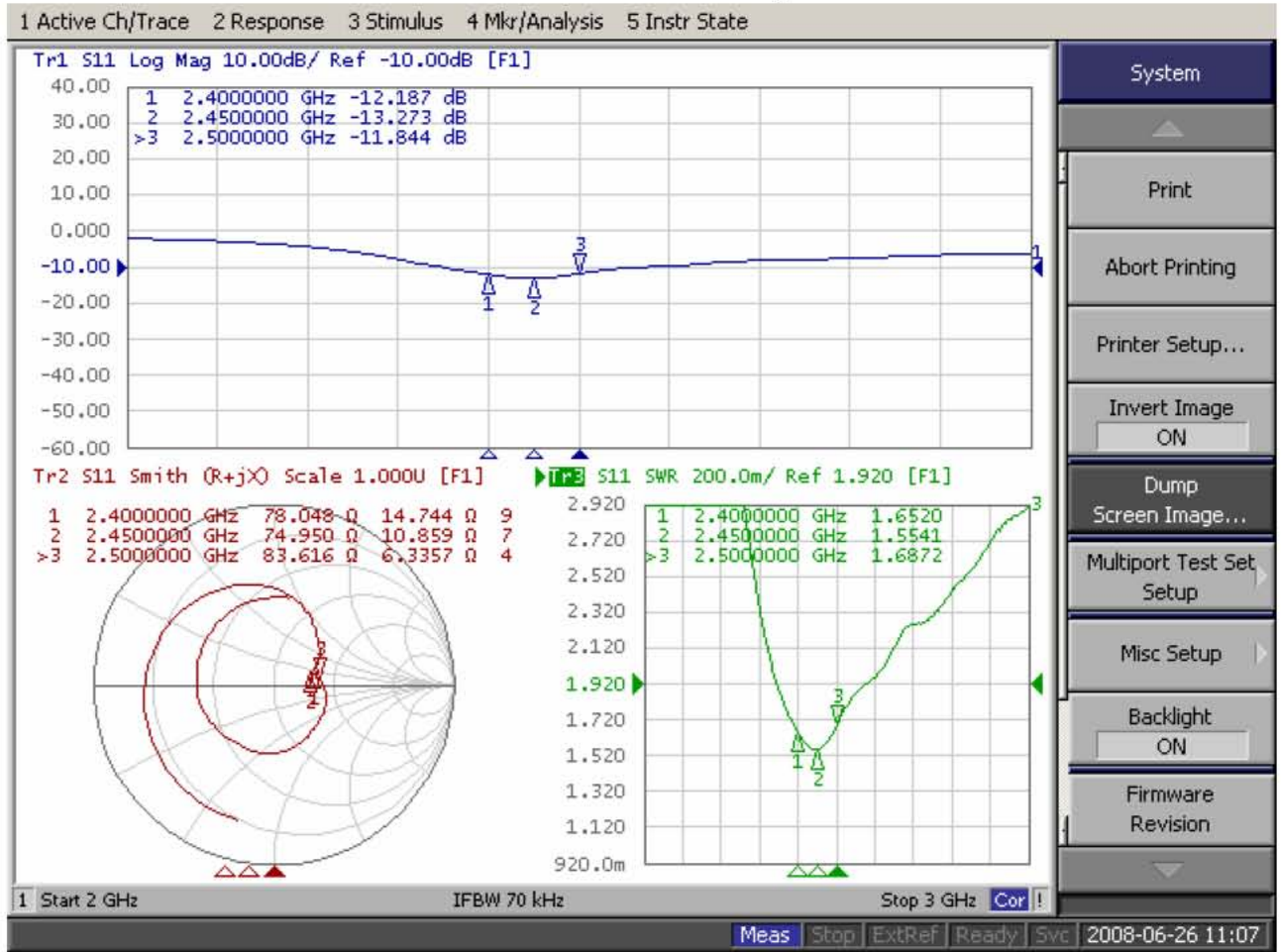
CUSTOMER:	雙贏偉業		
PART NO :			
PART NAME:	RF Antenna Cable Assembly		
W.Y P/NO :	K136-510023-A		
REV	UNIT	FILE	SHEET
X1	mm	SSR-0800496	1/1

M.gear Wha Yu Group

THIS DRAWING, AND ITS INHERANT DESIGN CONCEPTS, ARE THE PROPERTY OF WHA YU AND AS SUCH MAY NOT BE COPIED, REPRODUCED, OR GIVEN TO THIRD PARTIES WITHOUT THE WRITTEN CONSENT OF WHA YU

RF Antenna Assembly

P/No. K136-510023-A SSR-0800496 Spec:2.4~2.5GHz



System

Print

Abort Printing

Printer Setup...

Invert Image ON

Dump Screen Image...

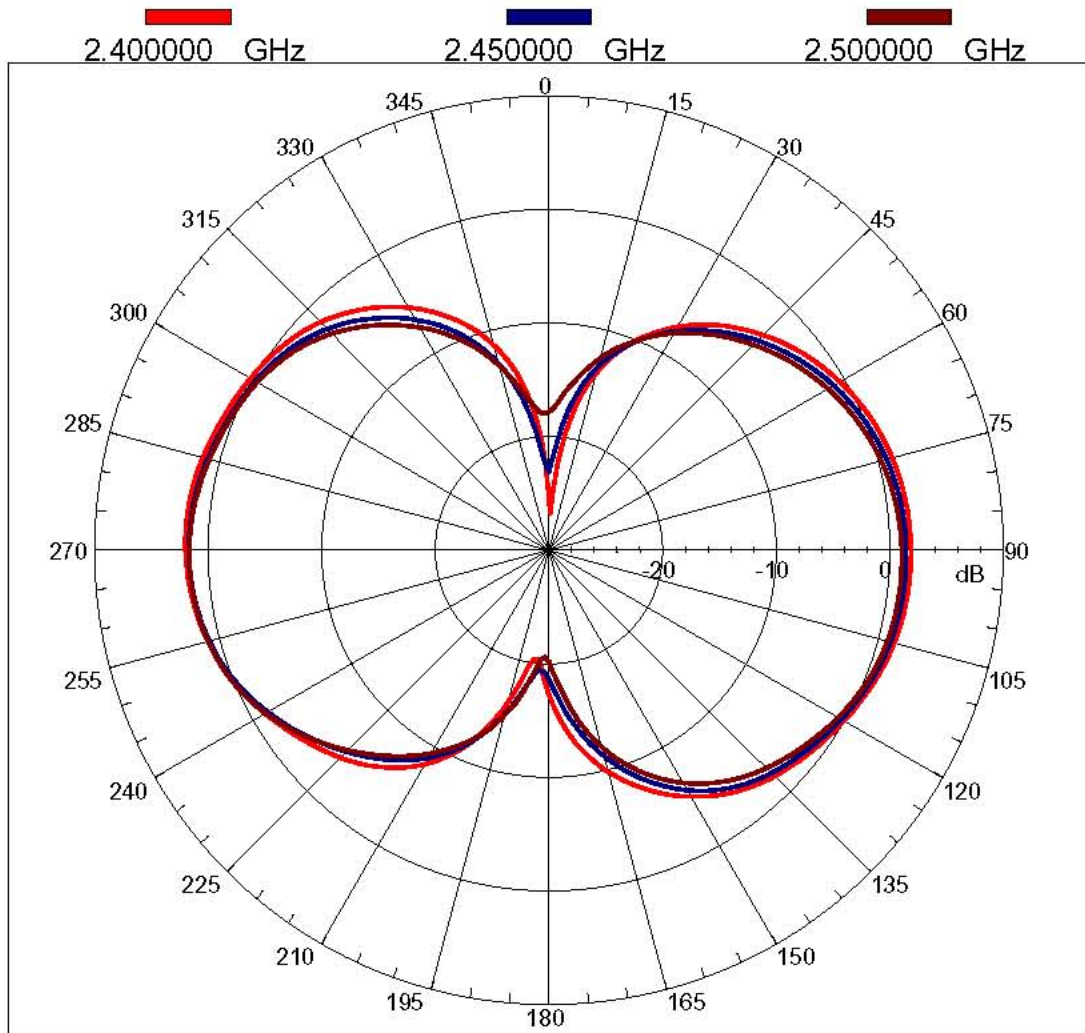
Multiport Test Set Setup

Misc Setup

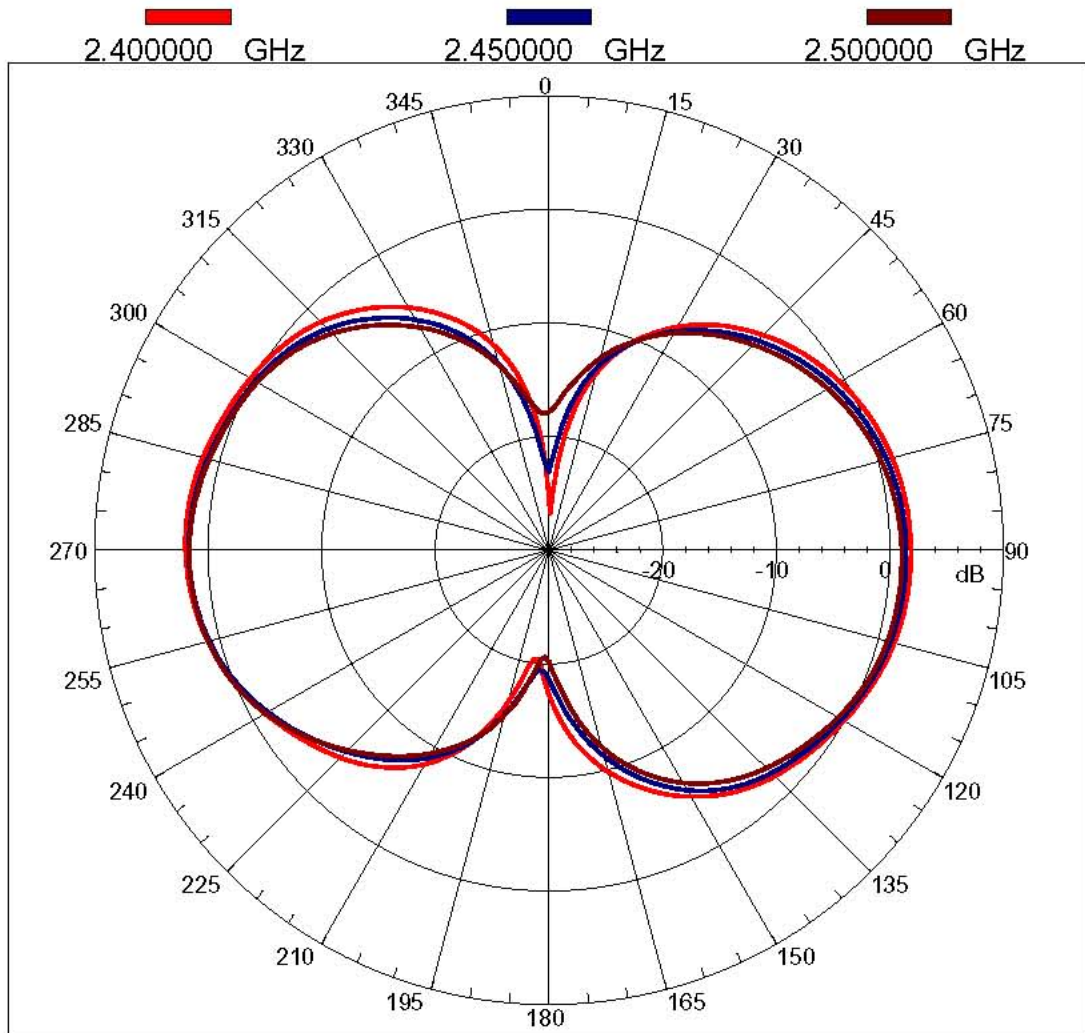
Backlight ON

Firmware Revision

Far-field amplitude of K136-510023-A SSR-0800496 E H-PLANE.nsi



Far-field amplitude of K136-510023-A SSR-0800496 E H-PLANE.nsi



Far-field amplitude of K136-510023-A SSR-0800496 H V-PLANE.nsi

