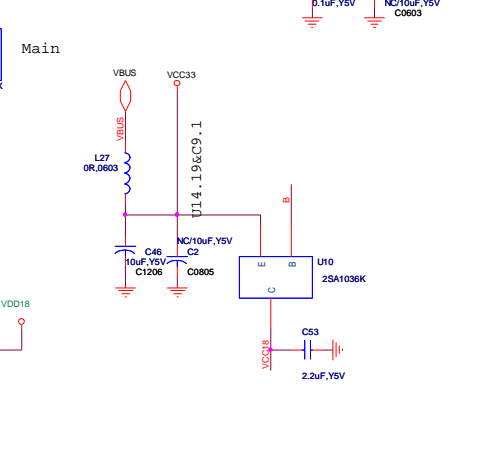
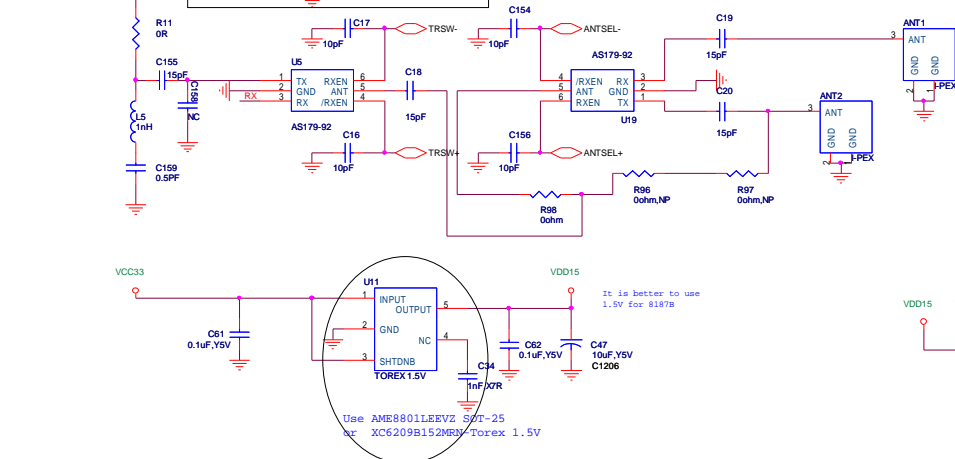
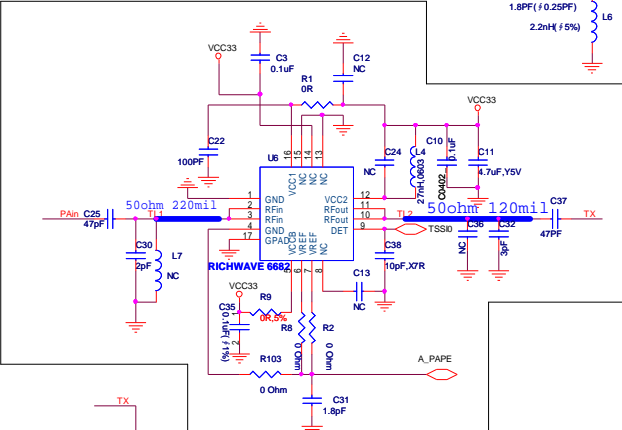
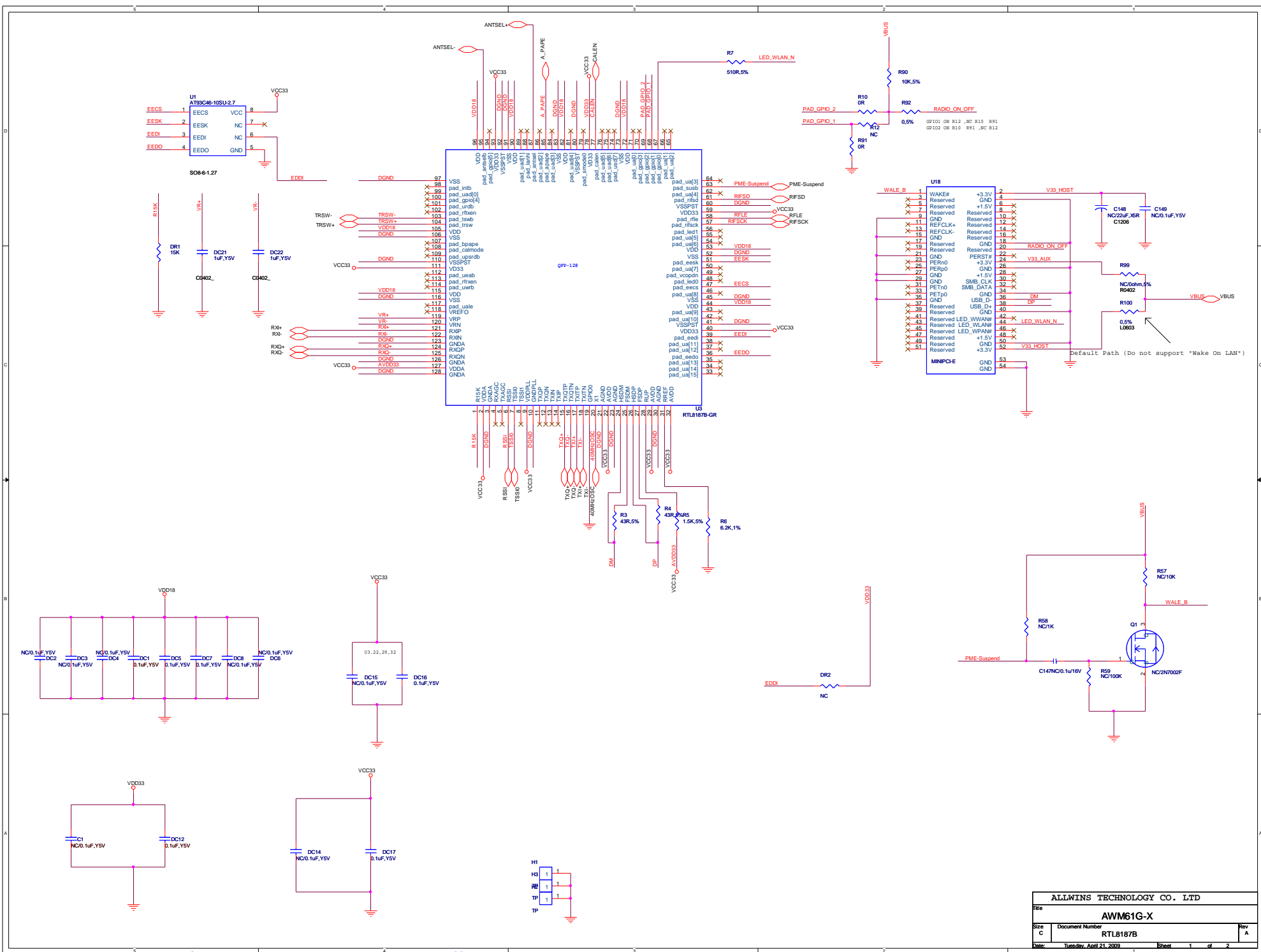


PA_VCC=>VCC33



ALLWINS TECHNOLOGY CO., LTD			
Title	AWM61G-X		
Size	Document Number	RTL8225	Rev
Custom			A
Date:	Wednesday, April 22, 2009	Sheet	1 of 2



ALLWINS TECHNOLOGY CO., LTD		
File	AWM61G-X	
Size	Document Number	Rev
C	RTL8187B	A
Date:	Tues4dy, April 21, 2009	Sheet 1 of 2