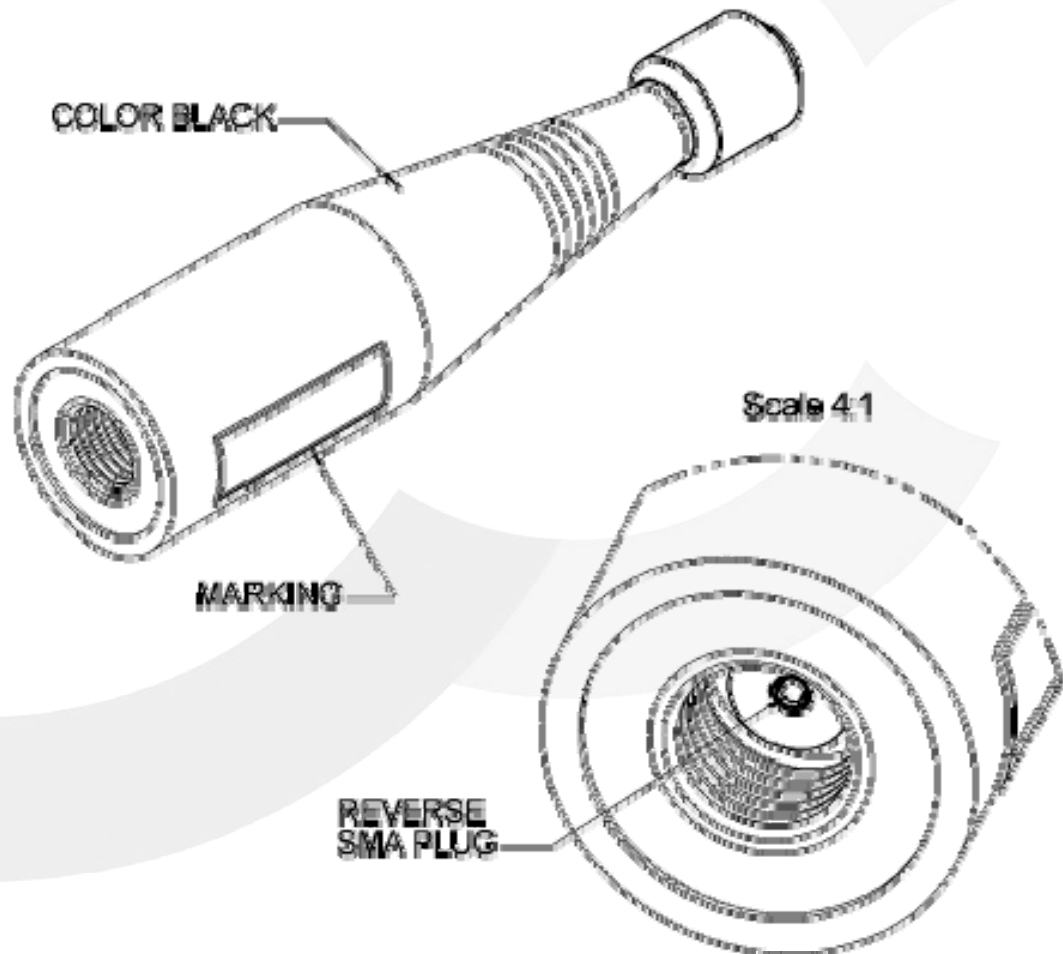
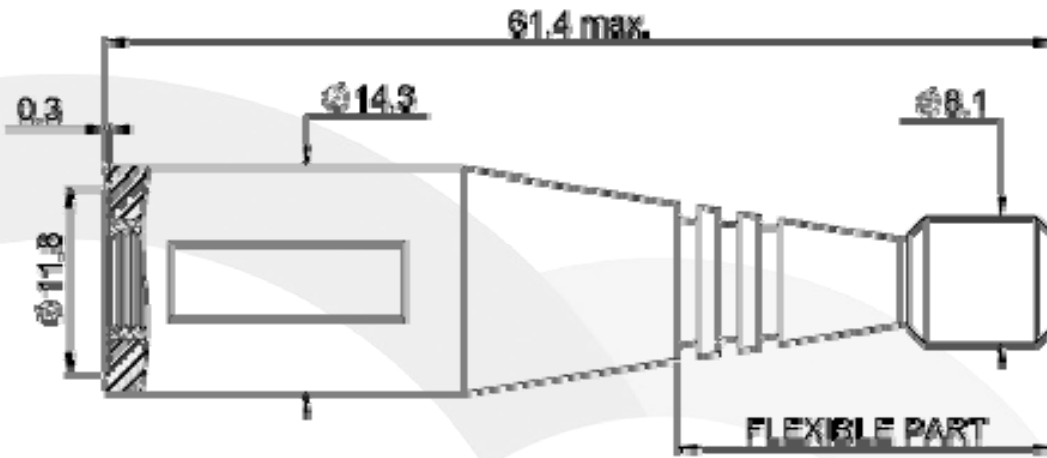


DIPOLE REVERSE SMA OMNIDIRECTIONAL

2.4 GHz

R380500125

Series : ANTENNA



All dimensions are mm

Issue : 1003

In the effort to improve our products, we reserve the right to make changes judged to be necessary.



DIPOLE REVERSE SMA OMNIDIRECTIONAL**2.4 GHz****R380500125**Series : **ANTENNA****ELECTRICAL SPECIFICATIONS**

Frequency :.....	2.4-2.5 GHz
Nominal Impedance :.....	50 Ω
VSWR :.....	1.5:1 Max
Gain (Overall gain) :	2 dBi
Radiation Pattern	
Horizontal Plane :	Omnidirecional ° ± 2 °
Polarization :	Vertical
Power withstanding :.....	1 W Max
Connector type :	Reverse SMA Plug

MECHANICAL SPECIFICATIONS

Plastic radome :	Hytrel G 3548L
Color :	Black
Ingress Protection :.....	IP68
Weight :	10.1 g
Flammability :	UL94-HB Km/h
Overall length :	61.4 mm
Pull force:	15 lbs
Torque resistantance :.....	1.6 lbs

ENVIRONMENTAL SPECIFICATIONS

Operating temperature :.....	-30/+55 ° C
------------------------------	--------------------