

PARTRON RFID Patch ANT.

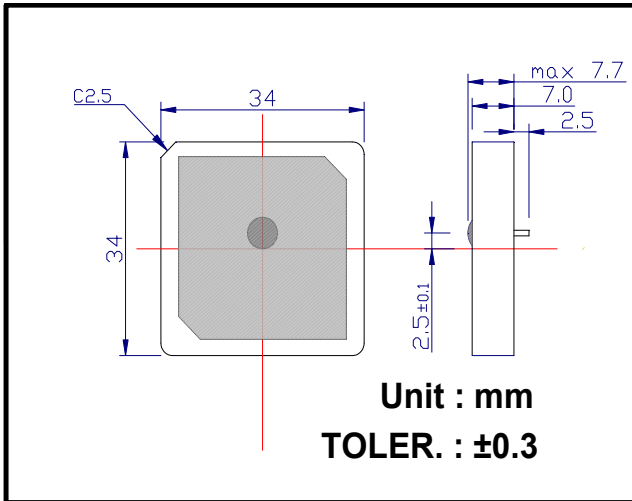
Ver 1.0

DATE : 2010-10-29

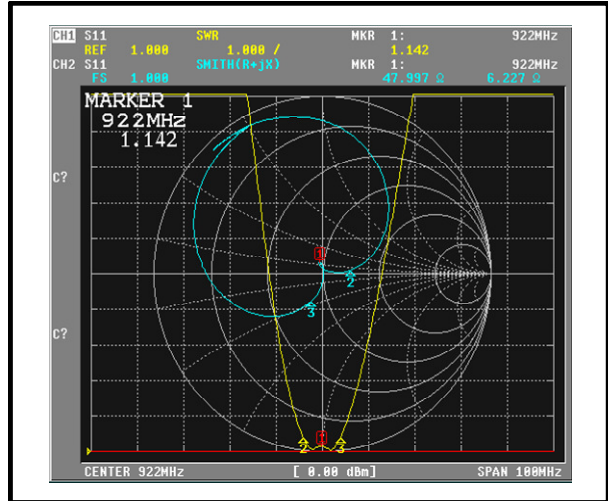
■ CUSTOMER : DEQTRON

■ TEMPORARY P/N : ANPS0922D7ZGA

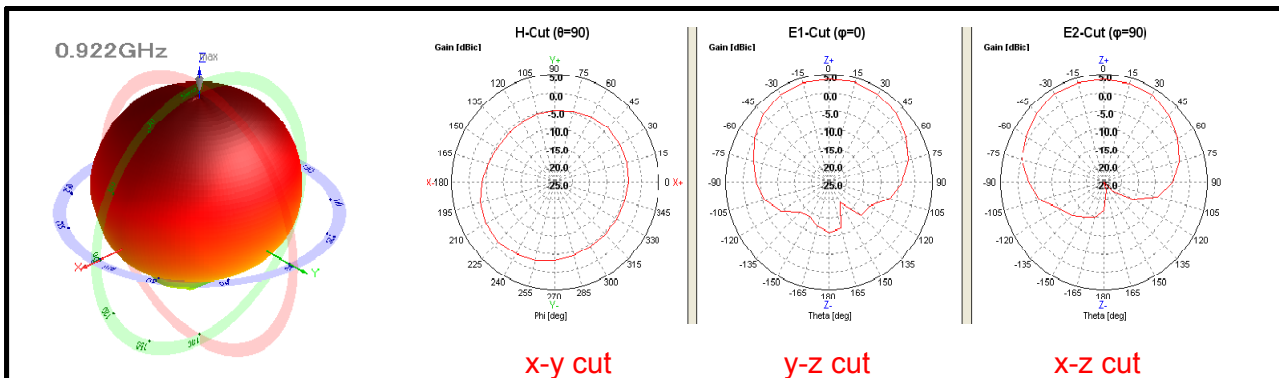
■ MECHANICAL DIMENSION (unit : mm)



■ SMITH CHART & VSWR



■ RADIATION PATTERN 3D & 2D



■ ELECTRICAL CHARACTERISTICS

	ITEM	Spec.	UNIT	Remark	
Antenna	1) Operating frequency	918 ~926	MHz	@ set condition @ VSWR 2.0:1	
	2) Gain@peak	918 MHz	3.3	dBic typ	@ set condition
		922 MHz	3.9		
		926 MHz	3.2		
	3) Axial Ratio	918 MHz	7.9	dB typ	@ set condition
		922 MHz	1.5		
		926 MHz	6.5		
4) Polarization		R.H.C.P	-	-	
5) Impedance		50	Ω	-	
6) Size		34x34x7.7T	mm	-	