

# LR62XE LoRa with Power Amplifier Modules

## LoRa Sensor, Beacon Applications

LR62XE LoRa transceiver module uses a Semtech SX1262 sub-GHz radio transceiver and a Skyworks SKY65313 power amplifier. An u.FL connector is on-board for external antenna. It is paired with Fanstel BT840F, a Nordic nRF52840 BLE 5.2 module. The Cortex M4F MCU in BT840F manages LR62XE through SPI interface. BT840F GPIOs can be used for sensor data input or control output. Android OS app is available for field set up through Bluetooth interface.

BT840F + LR62XE pair can be used in LoRaWAN™ application. LoRaWAN stacks are not available from Fanstel.

## Cloud Connection, LoRa Gateway

The 2nd application example is in a gateway for connecting to a cloud server(AWS, Microsoft, Google, Fanstel development server, etc.) through Ethernet, WiFi, or LTE network.

BLE 5.2 module manages LR62XE through SPI interface.

## LR62XE Specifications:

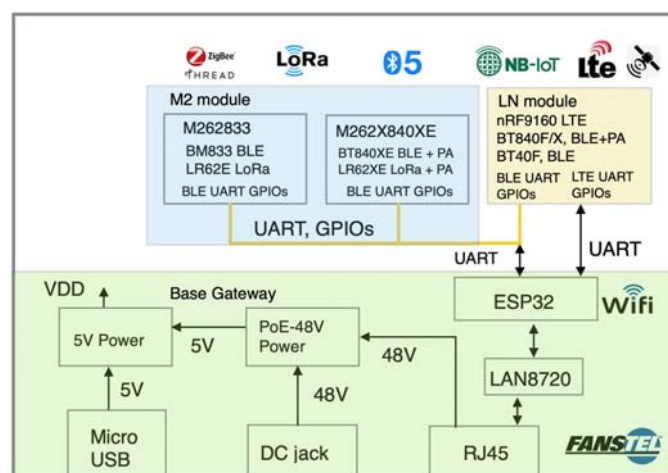
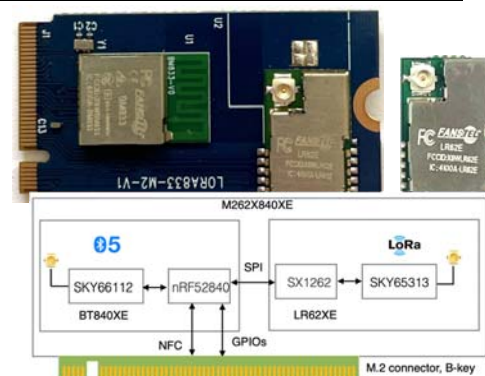
- Semtech SX1262 transceiver with Skyworks SKY65313 power amplifier
- Size: 10 (14) x 22.3mm, L- shape.
- +?? dBm TX power (USA).
- FCC ID:
- ISED ID:

## M262X840F/M262X840XE Specifications:

- M262X840F with BT840F BLE module.
- M262X840XE with BT840XE BLE module.
- Nordic nRF52 with ARM Cortex M4F at 64 MHz.
- Over-the-Air (OTA) firmware update
- Flash/RAM: 1024KB/256KB
- 34 GPIOs
- 12 bit/200KSPS ADC, 8 configurable channels with programmable gain.
- 3X SPI Master/Slave (8Mbps)

## Model Summaries

module	M262X840F	M262X840XE	LR62XE
BLE module/Flash/RAM	BT840F/1024KB/512KB	BT840XE/1024KB/256KB	
Size	30x42mm, M.2, B key	30x42mm, M.2, B key	10(14) x22.3mm
GPIO	34	34	0
Antenna LoRa/BLE	u.FL/PCB	u.FL/u.FL	u.FL
Max. TX power, LoRa			
Max. TX power, BLE	+8.49 dBm	+21.0 dBm	
Availability			



Open Source IoT Gateway supporting multiple radios, multiple networks

- 3X 4-channel pulse width modulator (PWM)
- 2X 2-wire Master/Slave (I<sup>2</sup>C compatible)
- UART (with CTS/RTS and DMA)
- 128-bit AES HW encryption
- 5 x 32 bits, 3 x 24 bits Real Time Counters (RTC)
- Available NFC-A tag interface for OOB pairing
- Size: 30x42 mm for M.2 connector, B-key
- Operation temperature: -40 °C to +85 °C

# LR62XE LoRa with Power Amplifier Modules

---

## Table Of Contents

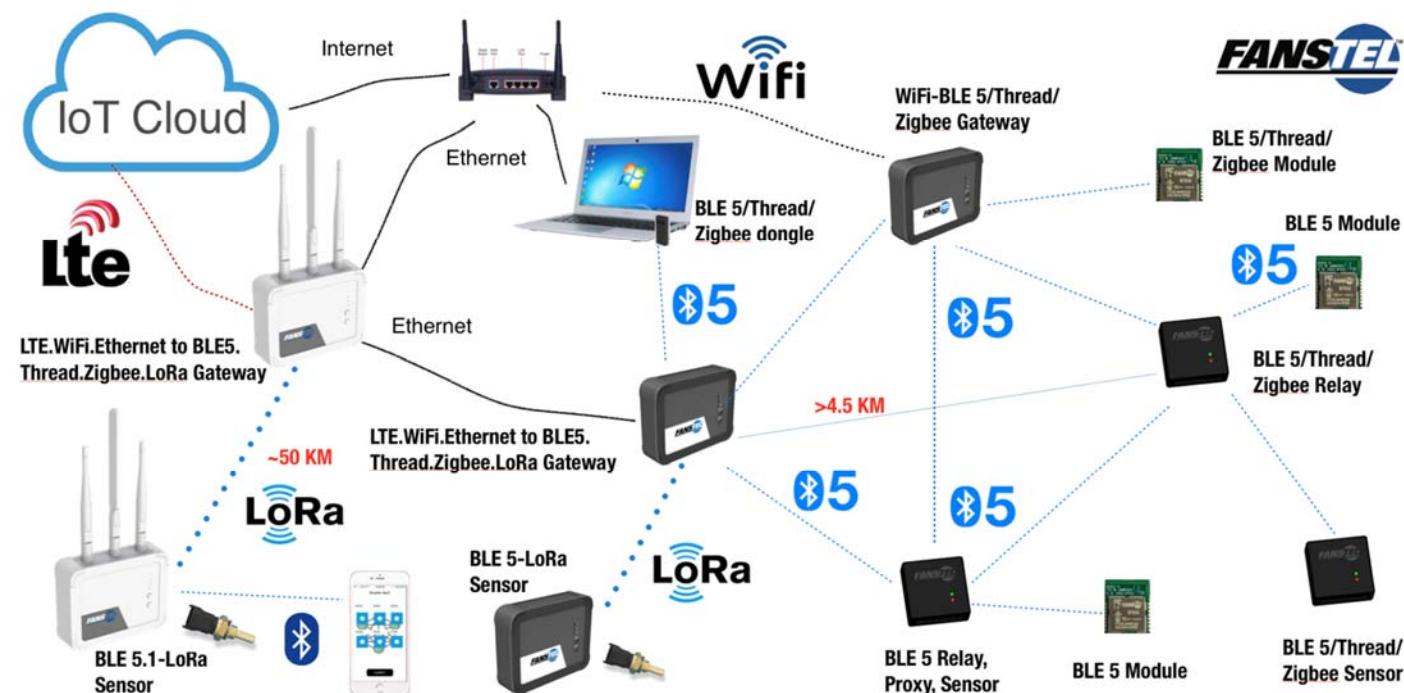
1. Introduction .....	3
2. Product Overview.....	4
Semtech SX1262 .....	4
Mechanical Drawings.....	6
LR62XE Pin Functions.....	7
LR62XE Pin Functions .....	7
M262840F Pin Functions .....	8
3. Evaluation Board EV-LN60G.....	11
Loading Firmware into Evaluation Board Through a Nordic DK.....	12
Nordic Development Environment.....	12
Download and set up Basic Software tools for EV-LR62XE .....	13
Evaluation Board EV-LN60G Schematics .....	14
Battery Power Application.....	16
4. Miscellaneous .....	17
Soldering Temperature-Time Profile for Re-Flow Soldering .....	17
Cautions, Design Notes, and Installation Notes.....	17
Packaging.....	20
FCC Label .....	20
5. Revision History .....	21
6. Contact Us .....	錯誤! 尚未定義書籤。

# LR62XE LoRa with Power Amplifier Modules

## 1. Introduction

LR62XE LoRa module with Semtech SX1262 transceiver are ideal for long range wireless applications. It can be paired with BT840F BLE module in LoRa sensor or beacon design. A smart phone can set up sensor or beacon easily through Bluetooth interface.

BT840F is powerful, highly flexible, ultra low power Bluetooth Low Energy (BLE) modules using Nordic nRF52840 SoCs. With an ARM Cortex™ M4F MCU, 1024KB flash, 256KB RAM, embedded 2.4GHz multi-



protocol transceiver, and an integrated antenna, it allows faster time to market with reduced development cost.

The second application example is in a gateway for connecting to cloud server. A LoRa sensor or beacon can be connected to a cloud server through Ethernet, WiFi, or LTE network.

It is possible to port LoRaWAN™ stacks to Nordic nRF52 BLE SoCs. LoRaWAN™ stacks are not available from Fanstel.

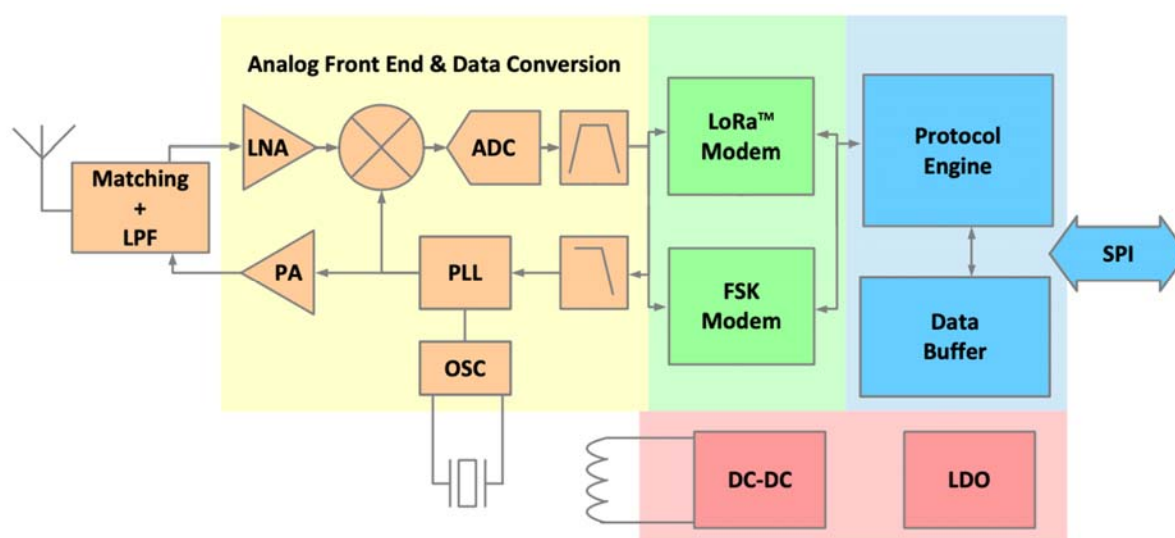
## LR62XE LoRa with Power Amplifier Modules

### 2. Product Overview

#### Semtech SX1262

Semtech SX1262 data sheets can be downloaded from this webpage.

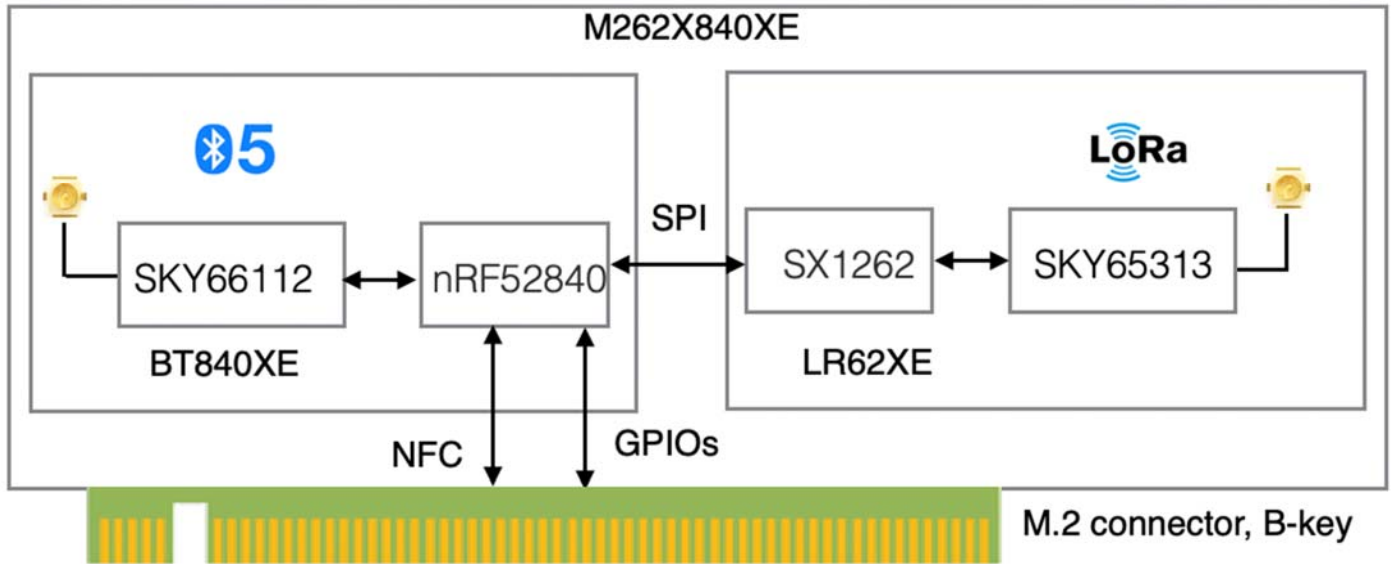
<https://www.fanstel.com/wirelessdocument>



A block diagram is below.

## LR62XE LoRa with Power Amplifier Modules

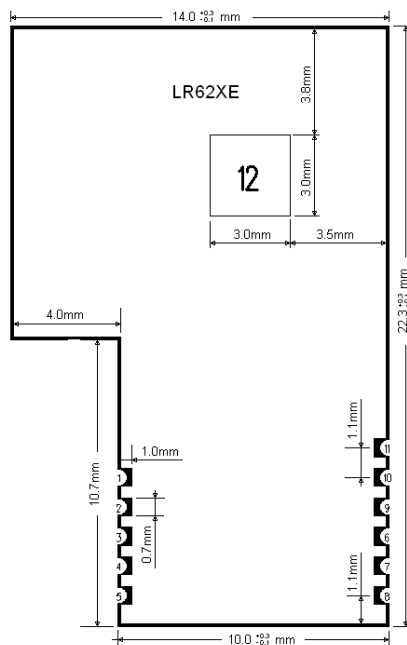
LR62XE module has an u.FL connector for external antenna. A BT840F/XE BLE module with Cortex M4F



MCU manage LR62XE through SPI interface. The following is a block diagram of M262X840XE.

# LR62XE LoRa with Power Amplifier Modules

## Mechanical Drawings



The followings are mechanical drawings of LR62XE, top view. Size of module is 30x42 mm.

Library components for PADS and EAGLE can be downloaded from

<http://www.fanstel.com/download-document/>

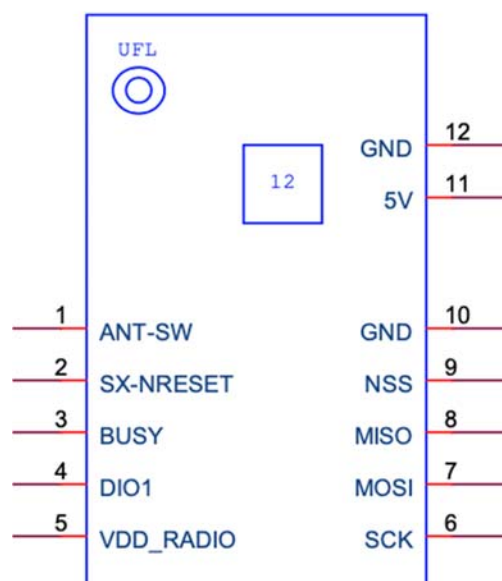
For other PCB layout tools, please download evaluation Gerber files and extract library component.

## LR62XE LoRa with Power Amplifier Modules

### LR62XE Pin Functions

The followings are LR62XE pin assignment. Pin functions are in a table below. Please refer to Semtech SX1262 Product Specifications for detailed descriptions and features supported. It can be downloaded from:

<https://www.fanstel.com/wirelessdocument>



### LR62XE Pin Functions

LR62XE		SX1262	
pin#	pin name	pin#	Descriptions
1	ANT-SW		Antenna switch
2	SX-NRESET	15	Reset signal, active low
3	BUSY	14	Busy indicator
4	DIO1	13	Multiple purpose Digital IO
5	VDD	1	DC input voltage, 1.8V to 3.7V
6	SCK	18	SPI clock
7	MOSI	17	SPI Slave input
8	MISO	16	SPI Slave Output
9	NSS	19	SPI Slave Select
10	GND	20	Ground

# LR62XE LoRa with Power Amplifier Modules

## M262840F Pin Functions

M.2	nRF52840	BT840F	M262X840F	
pin#	pin#	pin#	Name	Descriptions
1				DC input for 3.3V regulator; 3.2V to 15V. 4.35V minimum if connected to USB-VBUS externally.
2	Y2	F4	BLE-VDDH	High voltage input for nRF52840/nRF5340, 2.5V to 5.5V
3				DC input for 3.3V regulator; 3.2V to 15V. 4.35V minimum if connected to USB-VBUS externally.
4	B1	9	VDD-3V3	Regulated 3.3V DC input, 800 mA minimum
5	AD2	F6	USB-VBUS	USB power supply, 4.35V to 5.5V.
6	B1	9	VDD-3V3	Regulated 3.3V DC input, 800 mA minimum
7	AD6	E4	USB DP	USB data pin
8		15	BLE-SWDCLK	Serial Wire Debug clock input for BLE
9	AD4	E5	USB DN	USB data pin
10	AC24	16	BLE-SWDIO	Serial Wire Debug data for BLE
11	B6	10	GND	Ground
12				
13				
14				
15				
16				
17				
18				
19				
20			GND	Ground
21	T2	11	P011	BLE GPIO
22			GND	Ground
23	AD22	12	P100	BLE GPIO
24	AD8	13	P013	BLE GPIO
25	U1	E6	P012	BLE GPIO
26	Y23	D5	P101	BLE_UART RXD
27	R1	E3	P109	BLE GPIO
28	AC13	14	P018/RESET	Reset for BT40F, Reset or P018 for BT840F
29	AC17	E2	P021	BLE GPIO
30	AC9	D4	P014	BLE GPIO
31	AC19	D1	P023	BLE GPIO
32	AC11	D3	P016	BLE-OTA
33	AD20	C1	P024	BLE GPIO
34	AC15	D2	P019	BLE GPIO
35	W24	C5	P102	BLE_UART-TXD



## LR62XE LoRa with Power Amplifier Modules

36	AD10	C4	P015	BLE GPIO
37	AD18	C2	P022	BLE GPIO
38	AD12	C3	P017	BLE GPIO
39	N1	B5	P008	BLE GPIO
40	AD16	E1	P020	BLE GPIO
41	L1	B4	P006	BLE GPIO
42	A8	B3	P031	BLE GPIO, analog input
43	P2	A6	P108	BLE GPIO
44	B9	B2	P030	BLE GPIO, analog input
45	M2	A5	P007	BLE GPIO
46	AC21	B1	P025	BLE GPIO
47	K2	A4	P005	BLE GPIO, analog input
48				No Connect
49	J1	A3	P004	BLE GPIO, analog input
50				No Connect
51	A10	A2	P029	BLE GPIO, analog input
52				No Connect
53	B11	A1	P028	BLE GPIO, analog input
54				No Connect
55	G1	1	P026	BLE_I2C, SDA
56				No Connect
57	H2	2	P027	BLE_I2C, SCL
58				No Connect
59	J24	8	P010	BLE_GPIO, NFC2
60				No Connect
61	L24	7	P009	BLE_GPIO, NFC1
62				No Connect
63	B13	6	P003	BLE_GPIO, AIN1
64				No Connect
65	A12	5	P002	BLE_GPIO, AIN 0
66				No Connect
67				No Connect
68				No Connect
69				No Connect
70				No Connect
71				No Connect
72				No Connect
73				No Connect
74				No Connect



Ver 0.90 Feb. 2021

## LR62XE LoRa with Power Amplifier Modules

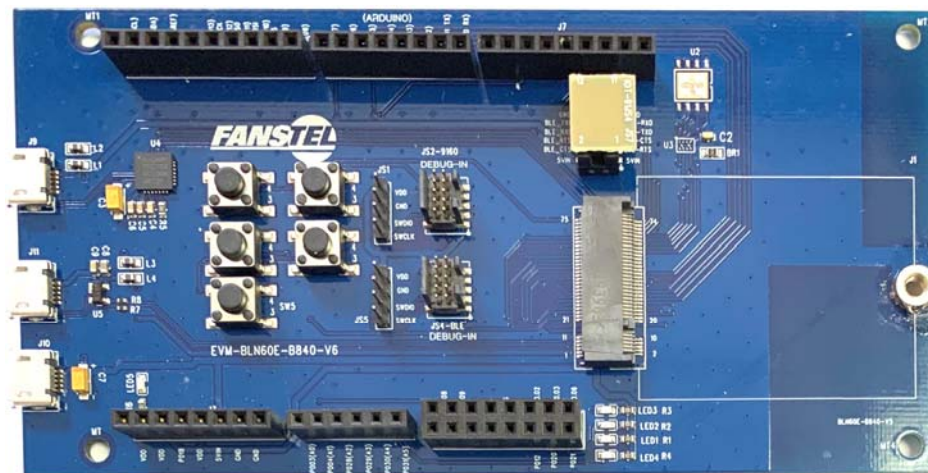
---

75				No Connect
----	--	--	--	------------

## LR62XE LoRa with Power Amplifier Modules

### 3. Evaluation Board EV-LN60G

An evaluation board can be used to evaluate performance of module and to develop and test your firmware



before an application-specific host board is developed. An EV-LN60G include the followings:

- An EV board without an M.2 module.
- A 10-pins flat cable.
- An USB cable

Additional hardware required but not included for evaluation.

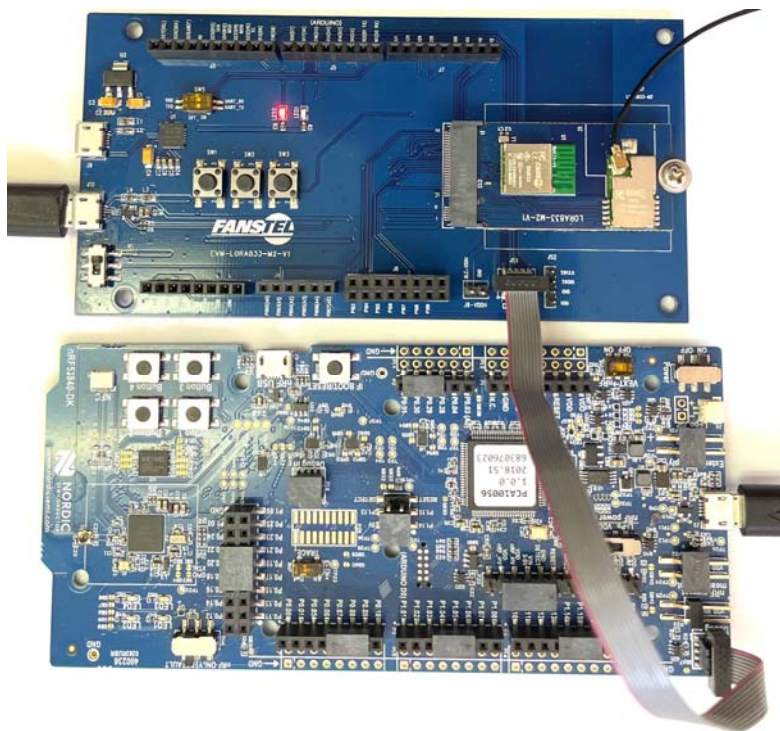
- M262X840F and an LTE antenna. Or,
- M262X840XE and an LTE antenna and a 0 dBi BLE antenna ANT000.

## LR62XE LoRa with Power Amplifier Modules

### Loading Firmware into Evaluation Board Through a Nordic DK

To program BT840F BLE module.

- Connect Nordic nRF52840DK **debug out** to Fanstel evaluation board **debug in** using the 10-pin flat cable as



shown below.

- Connect Nordic nRF52DK to PC.
- Connect a DC power source to micro or mini USB port of evaluation board.

### Nordic Development Environment

Nordic Semiconductor provides a complete range of hardware and software development tools for the nRF52 Series devices. nRF52DK or nRF52840DK board is recommended for firmware development. Document and Software development tools can be downloaded by the following links.

**Get started with Nordic chip and all online documents.**

[http://infocenter.nordicsemi.com/index.jsp?topic=/com.nordic.infocenter.nrf52/dita/nrf52/development/nrf52\\_dev\\_kit.html&cp=1\\_1](http://infocenter.nordicsemi.com/index.jsp?topic=/com.nordic.infocenter.nrf52/dita/nrf52/development/nrf52_dev_kit.html&cp=1_1)

**Nordic SDK with many example projects.**

[https://developer.nordicsemi.com/nRF5\\_SDK/](https://developer.nordicsemi.com/nRF5_SDK/)

**Nordic development zone.**

<https://devzone.nordicsemi.com/tutorials/b/getting-started/posts/development-with-gcc-and-eclipse>

## LR62XE LoRa with Power Amplifier Modules

### Download and set up Basic Software tools for EV-LR62XE

nRF command line tool 10.2.1 or newer.

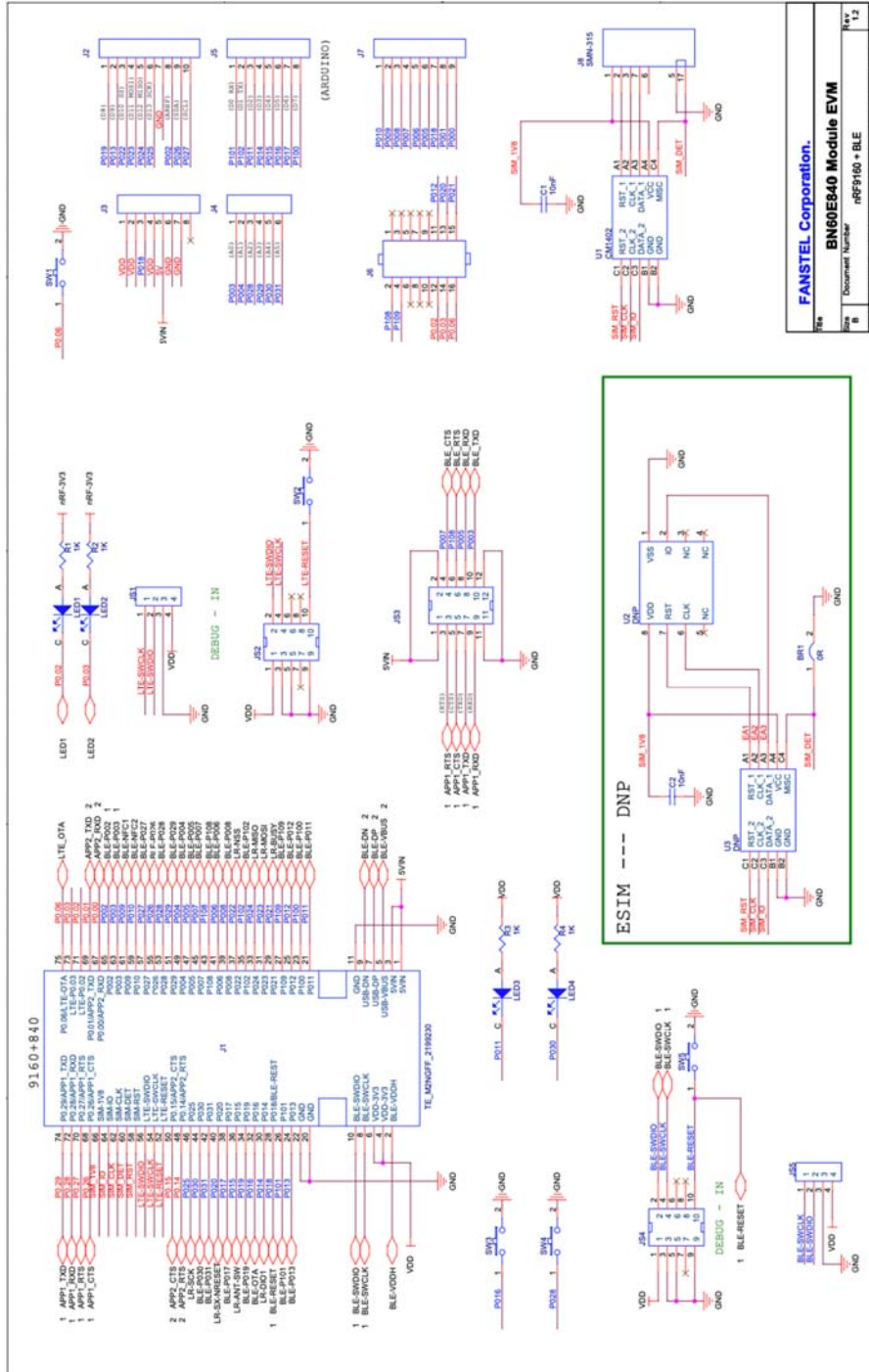
<https://www.nordicsemi.com/Software-and-Tools/Development-Tools/nRF-Command-Line-Tools/Download>

nRF Connect desktop 3.2.0 or newer.

<https://www.nordicsemi.com/Software-and-Tools/Development-Tools/nRF-Connect-for-desktop>

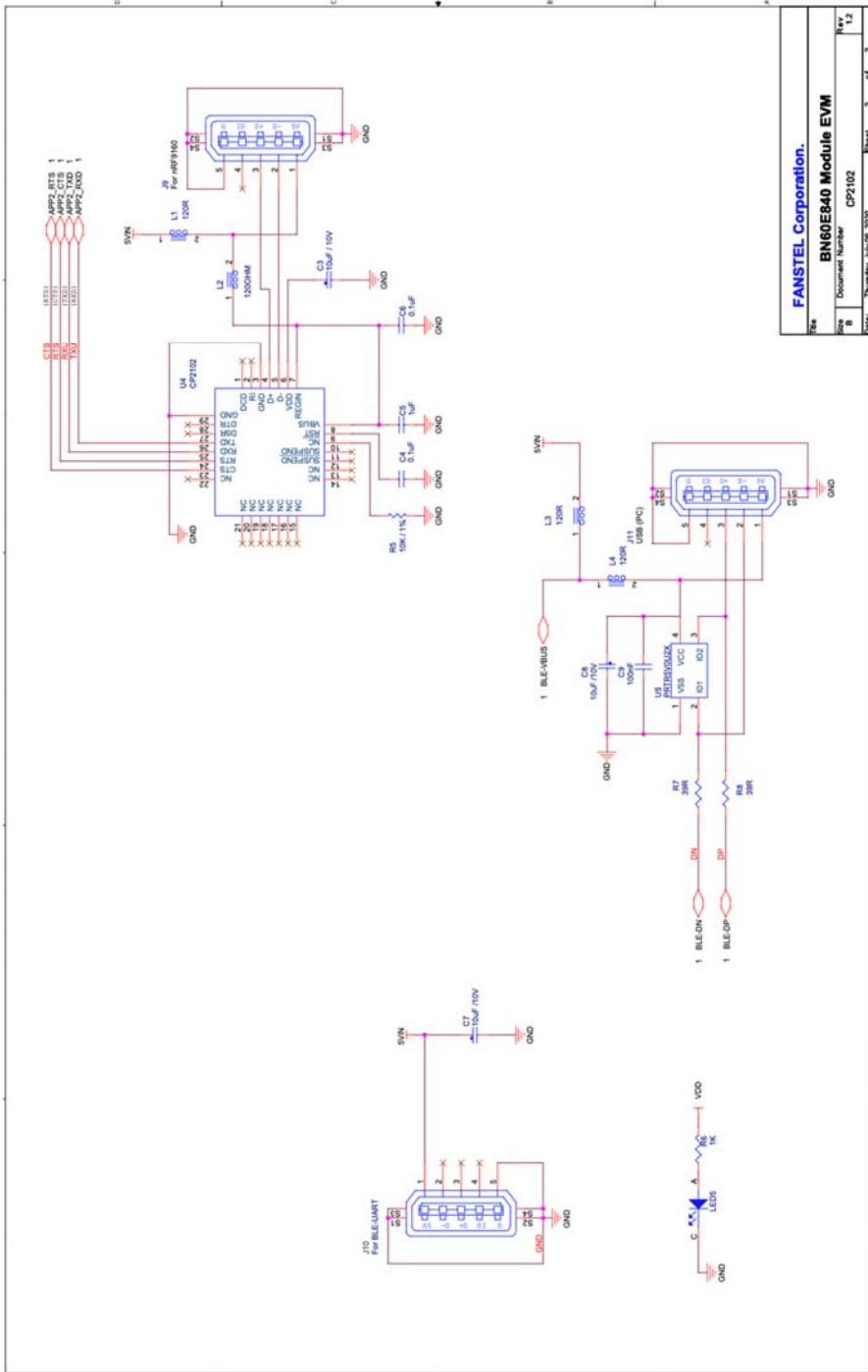
# LR62XE LoRa with Power Amplifier Modules

## Evaluation Board EV-LN60G Schematics



<b>FANSTEL Corporation.</b>			
File	BN00E840 Module EVM		
Rev	Document Number	rRF9160 - BLE	Rev. 1.3
Sheet	1 of 2		2

# LR62XE LoRa with Power Amplifier Modules



## LR62XE LoRa with Power Amplifier Modules

### Battery Power Application

Two inductors required for DCDC converter are inside BT840F module. You can enable DCDC to lower power consumption.

The 32.768 kHz sleep crystal and load capacitors are on the M.2 module.

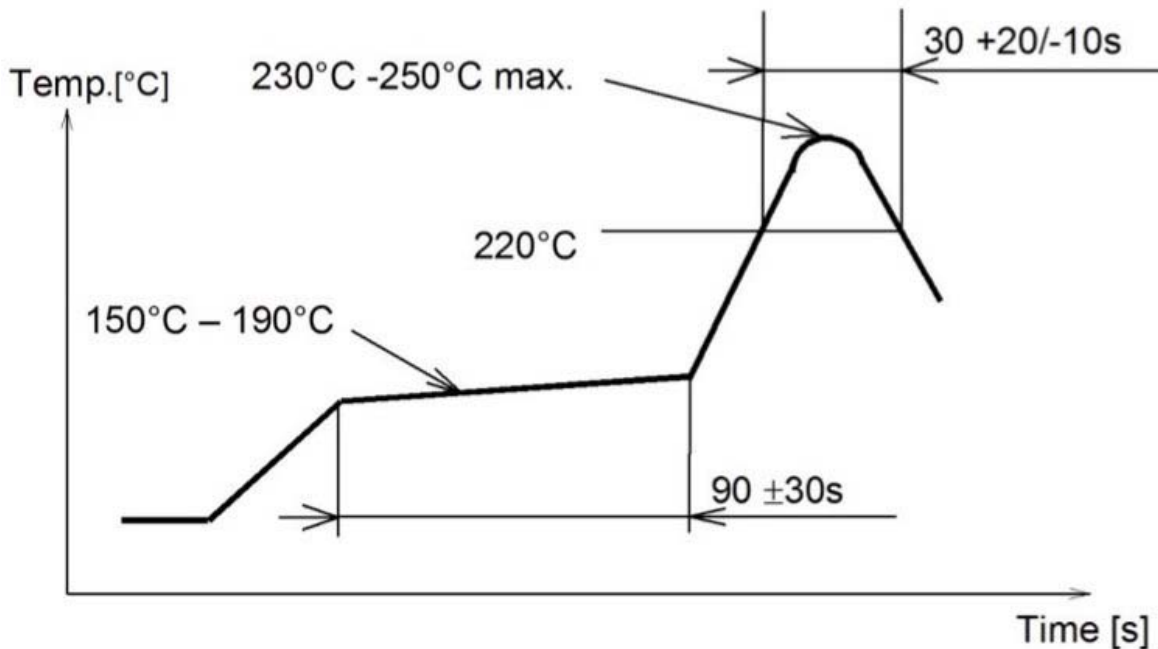


## LR62XE LoRa with Power Amplifier Modules

### 4. Miscellaneous

#### Soldering Temperature-Time Profile for Re-Flow Soldering

Maximum number of cycles for re-flow is 2. No opposite side re-flow is allowed due to module weight.



#### Cautions, Design Notes, and Installation Notes

Failure to follow the guidelines set forth in this document may result in degrading of the product's functions and damage to the product.

##### Design Notes

- (1) Follow the conditions written in this specification, especially the control signals of this module.
- (2) The supply voltage has to be free of AC ripple voltage (for example from a battery or a low noise regulator output). For noisy supply voltages, provide a decoupling circuit (for example a ferrite in series connection and a bypass capacitor to ground of at least 47uF directly at the module).
- (3) This product should not be mechanically stressed when installed.
- (4) Keep this product away from heat. Heat is the major cause of decreasing the life of these products.
- (5) Avoid assembly and use of the target equipment in conditions where the products' temperature may exceed the maximum tolerance.
- (6) The supply voltage should not be exceedingly high or reversed. It should not carry noise and/or spikes.
- (7) this product away from other high frequency circuits.

## LR62XE LoRa with Power Amplifier Modules

---

### *Notes on Antenna and PCB Layout*

(1) Don't use a module with internal antenna inside a metal case.

(2) For PCB layout:

- Avoid running any signal line below module whenever possible,
- No ground plane below antenna,
- If possible, cut-off the portion of main board PCB below antenna.

### *Installation Notes*

(1) Reflow soldering is possible twice based on the time-temperature profile in this data sheets. Set up the temperature at the soldering portion of this product according to this reflow profile.

(2) Carefully position the products so that their heat will not burn into printed circuit boards or affect the other components that are susceptible to heat.

(3) Carefully locate these products so that their temperatures will not increase due to the effects of heat generated by neighboring components.

(4) If a vinyl-covered wire comes into contact with the products, then the cover will melt and generate toxic gas, damaging the insulation. Never allow contact between the cover and these products to occur.

(5) This product should not be mechanically stressed or vibrated when reflowed.

(6) If you want to repair your board by hand soldering, please keep the conditions of this chapter.

(7) Do not wash this product.

(8) Refer to the recommended pattern when designing a board.

(9) Pressing on parts of the metal cover or fastening objects to the metal will cause damage to the unit.

(10) For more details on LGA (Land Grid Array) soldering processes refer to the application note.

### *Usage Condition Notes*

(1) Take measures to protect the unit against static electricity. If pulses or other transient loads (a large load applied in a short time) are applied to the products, check and evaluate their operation before assembly on the final products.

(2) Do not use dropped products.

(3) Do not touch, damage or soil the pins.

(4) Follow the recommended condition ratings about the power supply applied to this product.

(5) Electrode peeling strength: Do not add pressure of more than 4.9N when soldered on PCB

(6) Pressing on parts of the metal cover or fastening objects to the metal cover will cause damage.

(7) These products are intended for general purpose and standard use in general electronic equipment, such as home appliances, office equipment, information and communication equipment.

### *Storage Notes*

(1) The module should not be stressed mechanically during storage.

## LR62XE LoRa with Power Amplifier Modules

---

(2) Do not store these products in the following conditions or the performance characteristics of the product, such as RF performance will be adversely affected:

- Storage in salty air or in an environment with a high concentration of corrosive gas.
- Storage in direct sunlight
- Storage in an environment where the temperature may be outside the range specified.
- Storage of the products for more than one year after the date of delivery storage period.

(3) Keep this product away from water, poisonous gas and corrosive gas.

(4) This product should not be stressed or shocked when transported.

(5) Follow the specification when stacking packed crates (max. 10).

### **Safety Conditions**

These specifications are intended to preserve the quality assurance of products and individual components. Before use, check and evaluate the operation when mounted on your products. Abide by these specifications, without deviation when using the products. These products may short-circuit. If electrical shocks, smoke, fire, and/or accidents involving human life are anticipated when a short circuit occurs, then provide the following failsafe functions, as a minimum.

(1) Ensure the safety of the whole system by installing a protection circuit and a protection device.

(2) Ensure the safety of the whole system by installing a redundant circuit or another system to prevent a dual fault causing an unsafe status.

### **Other Cautions**

(1) This specification sheet is copyrighted. Reproduction of this data sheet is permissible only if reproduction is without alteration and is accompanied by all associated warranties, conditions, limitations, and notices.

(2) Do not use the products for other purposes than those listed.

(3) Be sure to provide an appropriate failsafe function on your product to prevent an additional damage that may be caused by the abnormal function or the failure of the product.

(4) This product has been manufactured without any ozone chemical controlled under the Montreal Protocol.

(5) These products are not intended for other uses, other than under the special conditions shown below. Before using these products under such special conditions, check their performance and reliability under the said special conditions carefully to determine whether or not they can be used in such a manner.

- In liquid, such as water, salt water, oil, alkali, or organic solvent, or in places where liquid may splash.
- In direct sunlight, outdoors, or in a dusty environment
- In an environment where condensation occurs.
- In an environment with a high concentration of harmful gas.

## LR62XE LoRa with Power Amplifier Modules

---

- (6) If an abnormal voltage is applied due to a problem occurring in other components or circuits, replace these products with new products because they may not be able to provide normal performance even if their electronic characteristics and appearances appear satisfactory.
- (7) When you have any question or uncertainty, contact Fanstel.

### **Packaging**

Production modules are delivered in reel, 1000 modules in each reel.

### **FCC LABEL**

The Original Equipment Manufacturer (OEM) must ensure that the OEM modular transmitter must be labeled with its own FCC ID number. This includes a clearly visible label on the outside of the final product enclosure that displays the contents shown below. If the FCC ID is not visible when the equipment is installed inside another device, then the outside of the device into which the equipment is installed must also display a label referring to the enclosed equipment

The end product with this module may subject to perform FCC part 15 unintentional emission test requirement and be properly authorized.

This device is intended for OEM integrator only.

## LR62XE LoRa with Power Amplifier Modules

### 5. Revision History

- Feb, 2021, Ver. 0.90: The first draft release.

## LR62XE LoRa with Power Amplifier Modules

---

### 6 Contact Us

#### United States:

Fanstel Corp.

7466 E. Monte Ctisto Ave. Scottsdale AZ 85260

Tel. 1 480-948-4928

Fax. 1-480-948-5459

Email: [module@fanstel.com](mailto:module@fanstel.com)

Website: [www.fanstel.com](http://www.fanstel.com)

#### Taiwan:

Fanstel Corp.

10F-10, 79 Xintai Wu Road

Xizhu, New Taipei City, Taiwan 22101

泛世公司

臺灣省新北市汐止區新臺五路 79 號 10 樓之 10, 22101

Tel. 886-2-2698-9328

Fax. 886-2-2698-4813

Email: [tp@fanstel.com](mailto:tp@fanstel.com)

Website: [www.fanstel.com](http://www.fanstel.com)

#### China:

Fanstel Technologies Corp.

11 Jiale Street

Ping-Dih, Long-Gang, Shen Zhen, GD 518117

泛世康科技(深圳)有限公司

廣東省深圳市龍崗區坪地鎮佳樂街 11 號

Tel. 86-755-8409-0928

Fax. 86-755-8409-0973

QQ. 3076221086

Email: [sz@fanstel.com](mailto:sz@fanstel.com)

Website: [www.fanstel.com](http://www.fanstel.com)

## LR62XE LoRa with Power Amplifier Modules

---

### Federal Communications Commission (FCC) Statement

You are cautioned that changes or modifications not expressly approved by the part responsible for compliance could void the user's authority to operate the equipment.

This equipment has been tested and found to comply with the limits for a Class B digital device, pursuant to part 15 of the FCC rules. These limits are designed to provide reasonable protection against harmful interference in a residential installation. This equipment generates, uses and can radiate radio frequency energy and, if not installed and used in accordance with the instructions, may cause harmful interference to radio communications. However, there is no guarantee that interference will not occur in a particular installation. If this equipment does cause harmful interference to radio or television reception, which can be determined by turning the equipment off and on, the user is encouraged to try to correct the interference by one or more of the following measures:

- Reorient or relocate the receiving antenna.
- Increase the separation between the equipment and receiver.
- Connect the equipment into an outlet on a circuit different from that to which the receiver is connected.
- Consult the dealer or an experienced radio/TV technician for help.

This device complies with Part 15 of the FCC Rules. Operation is subject to the following two conditions:

- 1) this device may not cause harmful interference, and
- 2) this device must accept any interference received, including interference that may cause undesired operation of the device.

### FCC RF Radiation Exposure Statement:

This equipment complies with FCC radiation exposure limits set forth for an uncontrolled environment. End users must follow the specific operating instructions for satisfying RF exposure compliance. This transmitter must not be co-located or operating in conjunction with any other antenna or transmitter.

### RF exposure warning

This equipment must be installed and operated in accordance with provided instructions and the antenna(s) used for this transmitter must be installed to provide a separation distance of at least 20 cm from all persons and must not be co-located or operating in conjunction with any other antenna or transmitter. End-users and installers must be provided with antenna installation instructions and transmitter operating conditions for satisfying RF exposure compliance.

## LR62XE LoRa with Power Amplifier Modules

---

### Industry Canada (IC) Statement

This device complies with Industry Canada license-exempt RSS standard(s). Operation is subject to the following two conditions: (1) this device may not cause interference, and (2) this device must accept any interference, including interference that may cause undesired operation of the device.

#### RF exposure warning

This equipment must be installed and operated in accordance with provided instructions and the antenna(s) used for this transmitter must be installed to provide a separation distance of at least 20 cm from all persons and must not be co-located or operating in conjunction with any other antenna or transmitter. End-users and installers must be provided with antenna installation instructions and transmitter operating conditions for satisfying RF exposure compliance.

### Canada, avis d'Industry Canada (IC)

Le présent appareil est conforme aux CNR d'Industrie Canada applicables aux appareils radio exempts de licence. L'exploitation est autorisée aux deux conditions suivantes:

- (1) l'appareil ne doit pas produire de brouillage, et
- (2) l'utilisateur de l'appareil doit accepter tout brouillage radioélectrique subi, même si le brouillage est susceptible d'en compromettre le fonctionnement.

#### Informations concernant l'exposition aux fréquences radio (RF)

Cet équipement est conforme avec l'exposition aux radiations IC définies pour un environnement non contrôlé. Cet équipement doit être installé et utilisé à une distance minimum de 20 cm entre le radiateur et votre corps. Cet émetteur ne doit pas être co-localisées ou opérant en conjonction avec une autre antenne ou transmetteur. Les utilisateurs finaux et les installateurs doivent être informés des instructions d'installation de l'antenne et des conditions de fonctionnement de l'émetteur afin de satisfaire à la conformité d'exposition RF.

**Note: The end product shall have the words “Contains Transmitter Module FCC ID: X8WLR62XE, IC: 4100A-LR62XE”**



## LR62XE LoRa with Power Amplifier Modules

---

Information for the OEM and Integrators

The following statement must be included with all versions of this document supplied to an OEM or integrator, but should not be distributed to the end user.

- (1) This device is intended for OEM integrators only.
- (2) Please see the full Grant of Equipment document for other restrictions.

LR62XE: PCB Antenna, 2 dBi; Dipole Antenna, 1.4dBi

Must use the device only in host devices that meet the FCC/ISED RF exposure category of mobile, which means the device is installed and used at distances of at least 20cm from persons.

The end user manual shall include FCC Part 15 /ISED RSS GEN compliance statements related to the transmitter as show in this manual.

Host manufacturer is responsible for compliance of the host system with module installed with all other applicable requirements for the system such as Part 15 B, ICES 003.

Host manufacturer is strongly recommended to confirm compliance with FCC/ISED requirements for the transmitter when the module is installed in the host.

Must have on the host device a label showing Contains FCC ID: X8WBC833M , Contains IC: 4100A-BC833M

The use condition limitations extend to professional users, then instructions must state that this information also extends to the host manufacturer's instruction manual.

This module is stand-alone modular. If the end product will involve the Multiple simultaneously transmitting condition or different operational conditions for a stand-alone modular transmitter in a host, host manufacturer have to consult with module manufacturer for the installation method in end system.

l'hôte doit utiliser l'instrument uniquement dans des dispositifs qui répondent à la fcc / (catégorie d'exposition rf mobile, ce qui signifie le dispositif est installé et utilisé à une distance d'au moins 20 cm de personnes.

le manuel de l'utilisateur final doit inclure la partie 15 / (fac rss gen déclarations de conformité relatives à l'émetteur que de montrer dans ce manuel.

le fabricant est responsable de la conformité de l'hôte, le système d'accueil avec le module installé avec toutes les autres exigences applicables du système comme la partie 15 b, ices - 003.

accueillir le fabricant est fortement recommandé de confirmer la conformité avec les exigences de la fcc / (émetteur lorsque le module est installé dans l'hôte. le dispositif d'accueil doivent avoir une étiquette indiquant contient FCC ID: X8WLR62XE , contient IC: 4100A-LR62XE