

Bluetooth Low Energy (BLE) 5 Module BT832X1 Ver 1.04Apr 2018

BluNor BT832X1 is a powerful, highly flexible, Bluetooth Low Energy (BLE) using Nordic nRF52832 SoC. With an ARMCortex™ M4F MCU, available 512KB flash, 64KB RAM, embedded 2.4GHz multi-protocol transceiver, power amplifier, and an integrated PCB trace antenna. It allows faster time to market with reduced development cost.

For applications needing limited number of IO pins, prototyping and production are easier using 16 castellated pins. Additional 24 LGA (Land Grid Array) pins provide access to 29 GPIOs of nRF52832.

Bluetooth 5 specifications allow reducing bandwidth to achieve up to 4X range while maintaining similar power requirements. BT832X1s achieve longer range by superior antenna circuit and an external power amplifier, not by reducing bandwidth.

Specifications:

- Nordic nRF52832 with ARM Cortex M4F.
- Complete RF solution with integrated antenna
- Integrated DC-DC converter
- Serial Wire Debug (SWD)
- Nordic SoftDevice Ready
- Over-the-Air (OTA) firmware update
- Flash/RAM: 512KB/64KB
- 29 GPIO pins
- 12 bit/200KSPS ADC
- 3 SPI Master/Slave (8Mbps)
- Low power comparator
- Two 2-wire Master/Slave (I²C compatible)
- I2S audio interface
- UART (with CTS/RTS and DMA)
- 20 channel CPU independent Programmable Peripheral Interconnect (PPI).
- Quadrature Demodulator (QDEC)
- 128-bit AES HW encryption
- 5 x 32 bits, 3 x 24 bits Real Time Counters (RTC)
- NFC-A tag interface for OOB pairing
- Receiver Sensitivity: -96 dBm
- TX power: +20 dBm
- Sizes: 15.0x28.0x1.9mm
- Hybrid pins: 16 castellated and 24 LGA.
- Integrated high performance PCB trace antenna with a power amplifier
- Operation voltage: 1.8V to 3.6V
- Operation temperature: -40°C to +85°C

Applications

- IoT (Internet of Things)
- Beacons/Proximity
- Fitness/Sports
- Smart toys
- Connected appliances
- Lighting products
- Sensors
- Home and building automation
- Long range equipment tracking
- Drone remote control
- Video and audio transmission



Bluetooth Low Energy (BLE) 5 Module BT832X1 Ver 1.04Apr 2018

Model Summaries

| | | |
|----------------|--------------------------------|---------------|
| module | BT832X1 | BT832XE1 |
| SoC | nRF52832-QFAA | nRF52832-QFAA |
| Flash/RAM | 512KB/64KB | 512KB/64KB |
| BT Antenna | PCB trace | u.FL |
| Range at 1Mbps | 1250 meters | |
| FCC ID | Pending | Pending |
| Canada IC ID | Pending | Pending |
| Availability | Sample, Production in May 2018 | |



Table Of Contents

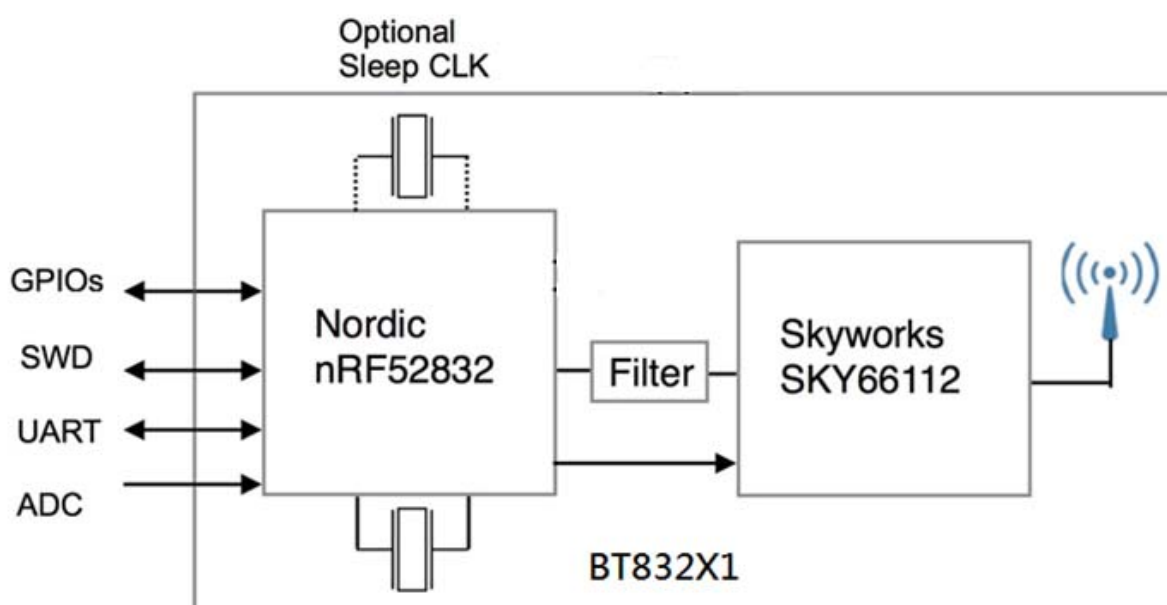
| | |
|--|----|
| 1. Introduction | 4 |
| 2. Codes Development Using Nordic Tools | 4 |
| Easy, fast and safe code development | 4 |
| Over-The-Air DFU | 5 |
| SoftDevices | 5 |
| Development Tools | 5 |
| 3. Product Overview..... | 6 |
| Block Diagram..... | 6 |
| Mechanical Drawings..... | 9 |
| Pin Assignments of BT832X1 | 9 |
| Host PCB Layout Guidelines | 11 |
| Mounting BT832X1 on the Host PCB..... | 12 |
| Control Skyworks Power Amplifier | 13 |
| 4. AT Commands | 16 |
| Brief description of AT commands..... | 16 |
| Command mode..... | 16 |
| Data Mode..... | 18 |
| Communicating with a PC | 18 |
| 5. Evaluation Boards and Reference Designs | 19 |
| Schematics and Gerber Files | 19 |
| Evaluation Board EV BT832X1 V4 Schematics | 20 |
| 6. Miscellaneous | 21 |
| Soldering Temperature-Time Profile for Re-Flow Soldering | 21 |
| Cautions, Design Notes, and Installation Notes..... | 21 |
| Packaging..... | 24 |
| FCC Label | 24 |
| 7. Contact Us | 25 |

Bluetooth Low Energy (BLE) 5 Module BT832X1 Ver 1.04Apr 2018

1. Introduction

BluNor BT832X1 is powerful, highly flexible, ultra low power Bluetooth Low Energy (BLE) modules using Nordic nRF52832 SoCs. With an ARMCortex™ M4F MCU, available 512KB flash, 64KB RAM, embedded 2.4GHz multi-protocol transceiver, power amplifier, and an integrated antenna, it allows faster time to market with reduced development cost.

The following is a block diagram of BT832X1. Antenna circuit and main clock are integrated. All 32 GPIOs of nRF52832 can be accessed from main board. For lower power consumption at idle state, an optional 32.768 kHz crystal can be on board. Connection to an external NFC (Near Field Communication) antenna is provided.



2. Codes Development Using Nordic Tools

Development tools by Nordic and other third party development tools recommended by Nordic should be used .

Easy, fast and safe code development

Nordic development environment for nRF52832 offers a clean separation between application code development and embedded protocol stacks. This means compile, link and run time dependencies with the embedded stack and associated debugging challenges are removed. The Bluetooth low energy and ANT stack is a pre-compiled binary, leaving application code to be compiled stand-alone. The embedded stack interface uses an asynchronous and event driven model removing the need for RTOS frameworks.

Bluetooth Low Energy (BLE) 5 Module BT832X1 Ver 1.04Apr 2018

Over-The-Air DFU

The nRF52832 is supported by an Over-The-Air Device Firmware Upgrade (OTA DFU) feature. This allows for in the field updates of application software and SoftDevice.

SoftDevices

The Nordic protocol stacks are known as SoftDevices and complement the nRF52 Series SoCs. All nRF52 Series are programmable with software stacks from Nordic. This bring maximum flexibility to application development and allows the latest stack version to be programmed into the SoC.

SoftDevices available from Nordic:

S132: Bluetooth low energy concurrent central/peripheral/observer/broadcaster stack.

Development Tools

Nordic Semiconductor provides a complete range of hardware and software development tools for the nRF52 Series devices. nRF52 DK board is recommended for firmware development.

Nordic software development tools can be downloaded from the following webpage.

http://infocenter.nordicsemi.com/index.jsp?topic=/com.nordic.infocenter.nrf52/dita/nrf52/development/nrf52_dev_kit.html&cp=1_1

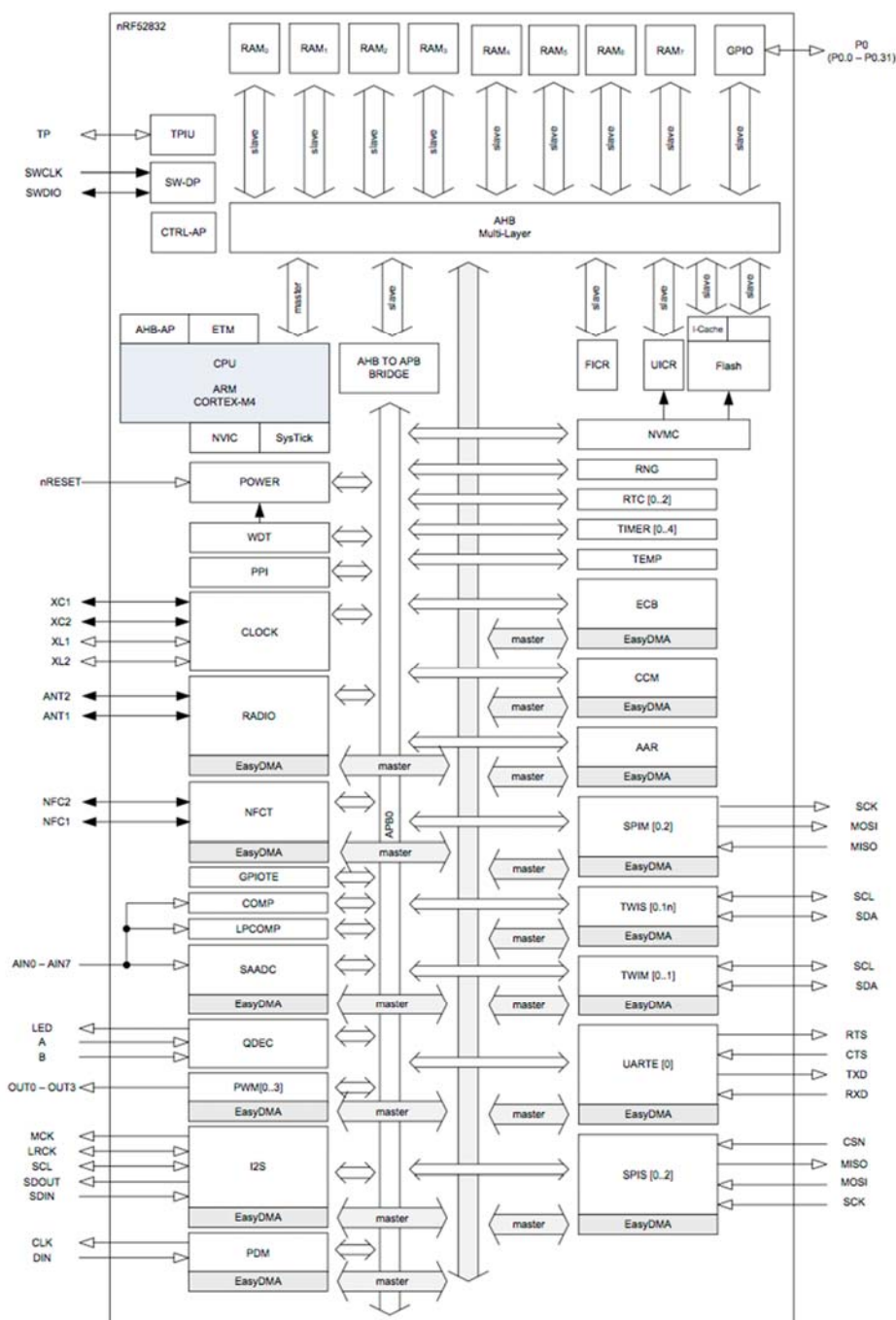
3. Product Overview

Brief description of nRF52832 SoC is provided. For full description of the SoC, please download from Nordic Semiconductor website.

<https://www.nordicsemi.com/eng/Products/Bluetooth-low-energy>

Block Diagram

Bluetooth Low Energy (BLE) 5 Module BT832X1 Ver 1.04Apr 2018



The following is a block diagram of Nordic nRF52832 Bluetooth Low Energy (BLE) SoC.

The 32 bit ARM Cortex M4F MCU with hardware supports for DSP instructions and floating point operations, code density and execution speed are higher than other Cortex M MCU. The Programmable Peripheral Interconnect (PPI) system provides a 20-channel bus for direct and autonomous system peripheral communication without CPU intervention. This brings predictable latency times for peripheral to peripheral



Bluetooth Low Energy (BLE) 5 Module BT832X1 Ver 1.04Apr 2018

interaction and power saving benefits associated with leaving CPU idle. The device has 2 global power modes ON/OFF, but all system blocks and peripherals have individual power management control which allows for an automatic switching RUN/IDLE for system blocks based only on those required/not required to achieve particular tasks.

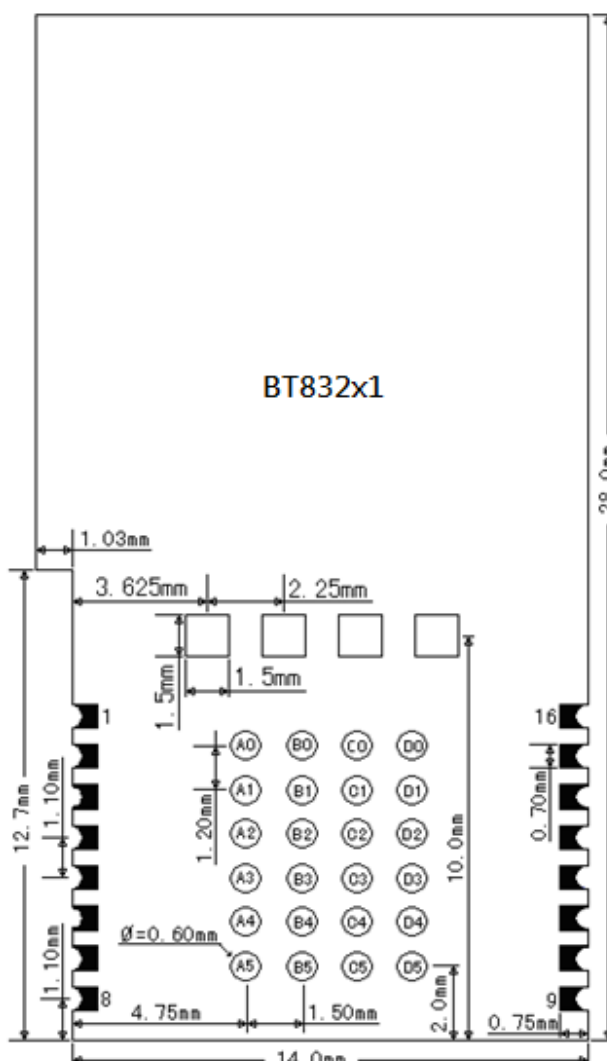
The radio supports Bluetooth low energy. Output power is scalable from a maximum of +20dBm down to -4 dBm in 4dB steps.

Bluetooth Low Energy (BLE) 5 Module BT832X1 Ver 1.04Apr 2018

Mechanical Drawings

The followings are mechanical drawings of BT832X1. Two types of pins are available to meet different application requirements.

- 16 castellated pins for application needing limited number of IOs. SMT equipment is not required for soldering castellated pins.
- 24 LGA (Land Grid Array) pins to access 29 GPIOs of nRF52832 when needed. 3 GPIO pins are used to control SKY66112 power amplifier.



BT832X1 Mechanical drawing

Pin Assignments of BT832X1

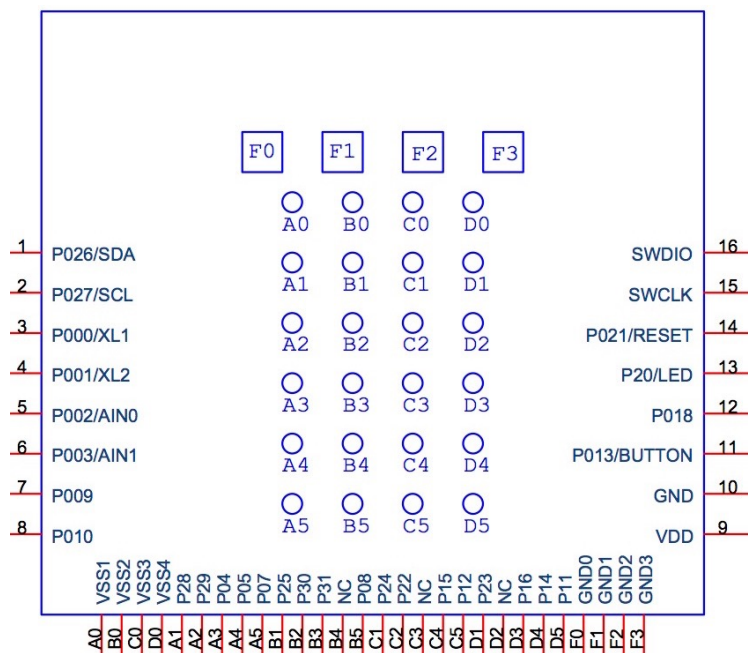
The followings are BT832X1 pin assignment. Pin functions are in a table in next section. Please refer to Nordic nRF52832 Product Specifications for detailed descriptions and features supported.

http://infocenter.nordicsemi.com/pdf/nRF52832_PS_v1.1.pdf

Bluetooth Low Energy (BLE) 5 Module BT832X1 Ver 1.04Apr 2018

| BT832X1 | | nRF52832 | | |
|---------|------------|----------|-------------|---|
| pin# | pin name | pin# | pin name | Descriptions |
| 1 | P26/SDA | 38 | P0.26 | GPIO, configured as I2C SDA on EV-BT832 |
| 2 | P27/SCL | 39 | P0.27 | GPIO, configured as I2C SCL on EV-BT832 |
| 3 | NC | 2 | P0.00/XL1 | 32.768kHz crystal on module |
| 4 | NC | 3 | P0.01/XL2 | 32.768kHz crystal on module |
| 5 | P02/AIN0 | 4 | P0.02/AIN0 | GPIO, Analog input |
| 6 | P03/AIN1 | 5 | P0.03/AIN1 | GPIO, Analog input |
| 7 | P09/NFC1 | 11 | P0.09/NFC1 | GPIO, NFC antenna connection |
| 8 | P10/NFC2 | 12 | P0.10/NFC2 | GPIO, NFC antenna connection |
| 9 | VDD | 13 | VDD | DC supply 1.7V to 3.6V |
| 10 | GND | 45 | VSS | Ground |
| 11 | P13 | 16 | P0.13 | GPIO |
| 12 | P18 | 21 | P0.18 | GPIO |
| 13 | P20 | 23 | P0.20 | GPIO |
| 14 | P021/RESET | 24 | P0.21/RESET | GPIO, configurable as RESET pin |
| 15 | SWDCLK | 25 | SWDCLK | Serial Wire Debug clock input |
| 16 | SWDIO | 26 | SWDIO | Serial Wire Debug I/O |
| A0 | GND | 45 | VSS | Ground |
| A1 | P28 | 40 | P0.28/AIN4 | GPIO, Analog input |
| A2 | P29 | 41 | P0.29/AIN5 | GPIO, Analog input |
| A3 | P04 | 6 | P0.04/AIN2 | GPIO, Analog input |
| A4 | P05 | 7 | P0.05/AIN3 | GPIO, Analog input |
| A5 | P07 | 9 | P0.07 | GPIO |
| B0 | GND | 45 | VSS | Ground |
| B1 | P25 | 37 | P0.25 | GPIO |
| B2 | P30 | 42 | P0.30/AIN6 | GPIO, Analog input |
| B3 | P31 | 43 | P0.31/AIN7 | GPIO, Analog input |
| B4 | NC | 8 | P0.06 | No Connect, used for SKY66112 on module |
| B5 | P08 | 10 | P0.08 | GPIO |
| C0 | GND | 45 | VSS | Ground |
| C1 | P24 | 29 | P0.24 | GPIO |
| C2 | P22 | 27 | P0.22 | GPIO |
| C3 | NC | 20 | P0.17 | No Connect, used for SKY66112 on module |
| C4 | P15 | 18 | P0.15 | GPIO |
| C5 | P12 | 15 | P0.12 | GPIO |
| D0 | GND | 45 | VSS | Ground |
| D1 | P23 | 28 | P0.23 | GPIO |
| D2 | NC | 22 | P0.19 | No Connect, used for SKY66112 on module |

Bluetooth Low Energy (BLE) 5 Module BT832X1 Ver 1.04Apr 2018



| | | | | |
|----|-----|----|-------|--------|
| D3 | P16 | 19 | P0.16 | GPIO |
| D4 | P14 | 17 | P0.14 | GPIO |
| D5 | P11 | 14 | P0.11 | GPIO |
| F0 | GND | | | Ground |
| F1 | GND | | | Ground |
| F2 | GND | | | Ground |
| F3 | GND | | | Ground |

Pin Functions

Host PCB Layout Guidelines

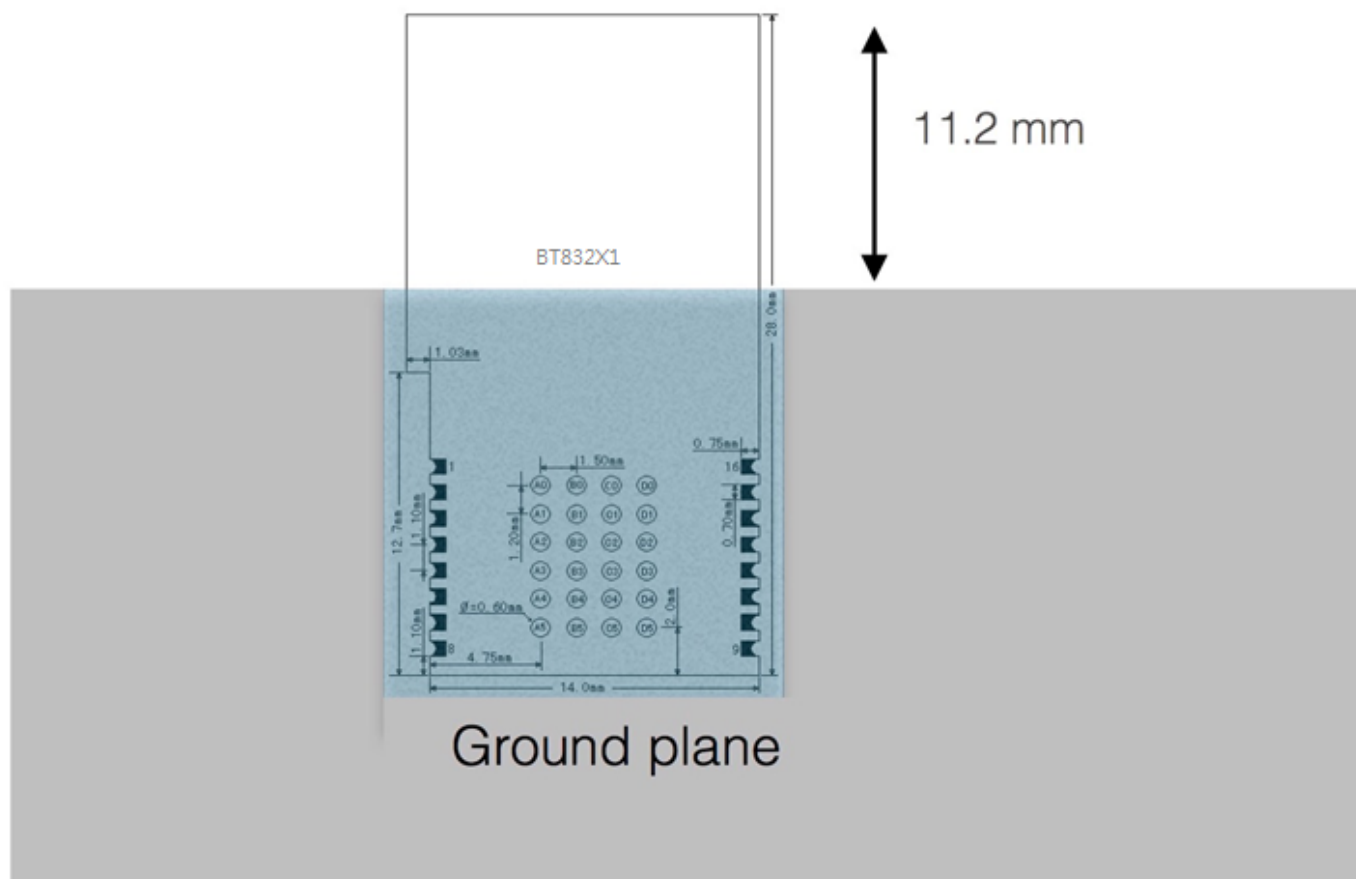
For the best Bluetooth range performance, we recommend using library component extracted from EV BT840F V3 Gerber files. It can be downloaded from <http://www.fanstel.com/download-document/>.

- There are 21 additional BT840F pins not used by BT832X1. These pins are in solid dark color below.
- As much ground plane under BT832X1, on top side of host PCB as possible. Use EV BT840F/EV BT832X1 Gerber files as an example.
- We recommend 4 or more layers for the host PCB. The top side shall be mostly ground. Signal routing shall be in the middle layers.

Bluetooth Low Energy (BLE) 5 Module BT832X1 Ver 1.04Apr 2018

Mounting BT832X1 on the Host PCB

The following figure shows recommended mounting of BT832X1 module on the host PCB.



BT832X1 module extends 11.2 mm from edge or ground plane of the host PCB board

2. Except required for pin connection, ground plane on top layer of main board.

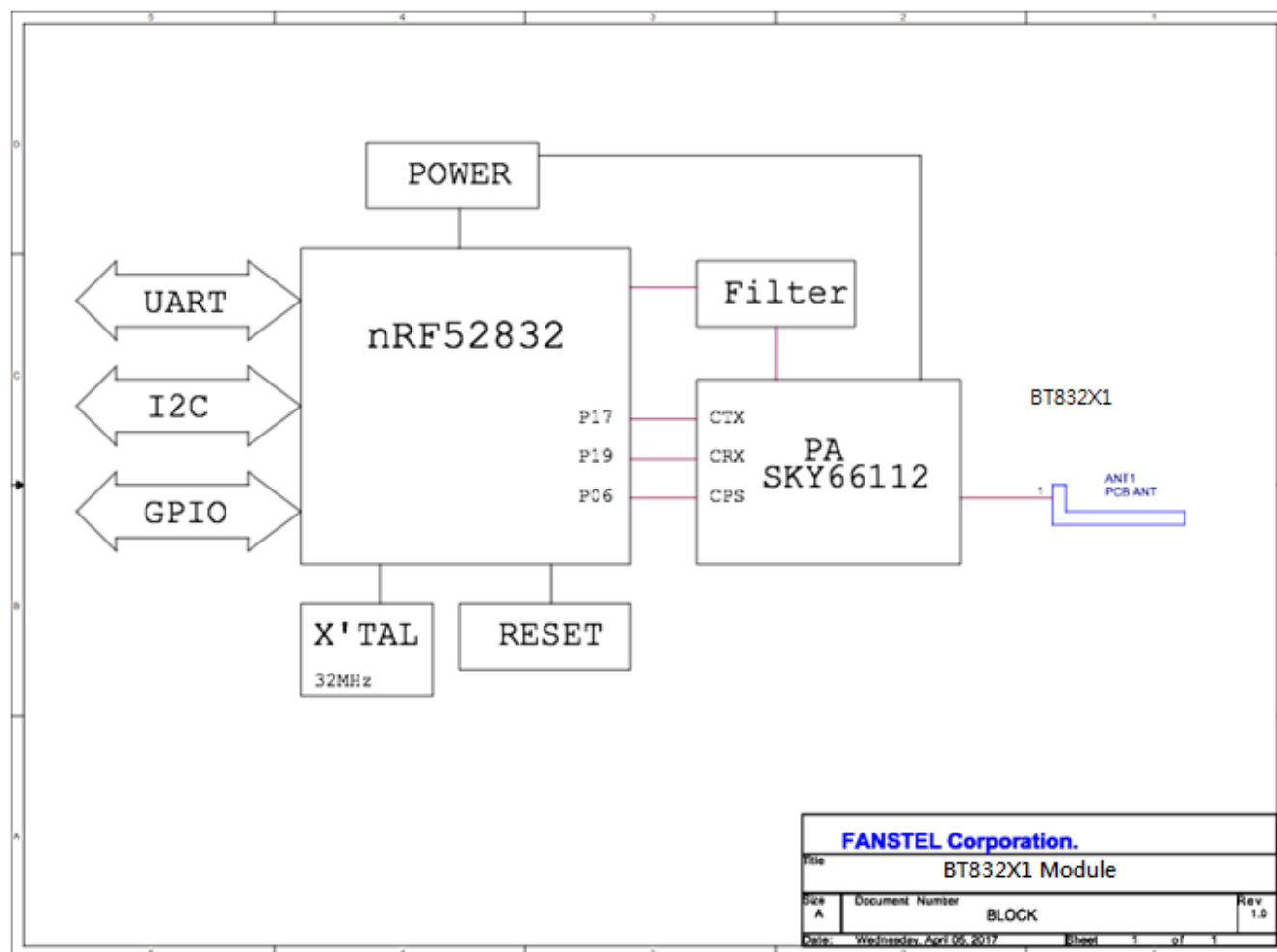
- For the best Bluetooth range performance, the antenna area of module shall extend 11.2 mm outside the edge of host PCB board, or 11.2 mm outside the edge of a ground plane.
- Except required for pin connection, ground plane to cover top layer of main board. We recommend multiple layers main board avoiding routing on the top layer.

For the best Bluetooth range performance, keep all external metal away from the antenna area.

Bluetooth Low Energy (BLE) 5 Module BT832X1 Ver 1.04Apr 2018

Control Skyworks Power Amplifier

BT832X1 uses SKYWORKS SKY66112-11 power amplifier. The connection diagram with control signal pins is below.



A firmware configuration example to control Skyworks SKY66112 power amplifier is below. This firmware file, SKY66112_PAconfig.txt can be downloaded from <http://www.fanstel.com/download-document/>.

```
//PCA10040.h
//set the clock
#define NRF_CLOCK_LFCLKSRC { .source = NRF_CLOCK_LF_SRC_SYNTH, \
.rc_ctiv = 0, \
.rc_temp_ctiv = 0, \
.xtal_accuracy = NRF_CLOCK_LF_XTAL_ACCURACY_250_PPM}
```

```
//main.c
//config the PA/LNA

#ifndef APP_PA_LAN
#define APP_PA_PIN 17
#define APP_LNA_PIN    19

#define APP_CPS_PIN          6

#define APP_AMP_PPI_CH_ID_SET  0
#define APP_AMP_PPI_CH_ID_CLR  1
#define APP_AMP_GPIOTE_CH_ID  0

static void pa_lna_setup(void)
{
    uint32_t err_code;
    nrf_gpio_cfg_output(APP_CPS_PIN);
        nrf_gpio_pin_clear(APP_CPS_PIN); //enable
        nrf_gpio_cfg_output(APP_PA_PIN);
        nrf_gpio_pin_clear(APP_PA_PIN); //
        nrf_gpio_cfg_output(APP_LNA_PIN);
        nrf_gpio_pin_clear(APP_LNA_PIN); //

    static ble_opt_t pa_lna_opts = {
        .common_opt = {
        .pa_lna = {
```

Bluetooth Low Energy (BLE) 5 Module BT832X1 Ver 1.04Apr 2018

```
.pa_cfg = {
.enable = 1,
.active_high = 1,
.gpio_pin = APP_PA_PIN
    },

.lna_cfg = {
.enable = 1,
.active_high = 1,
.gpio_pin = APP_LNA_PIN
    },

.ppi_ch_id_set = APP_AMP_PPI_CH_ID_SET,
.ppi_ch_id_clr = APP_AMP_PPI_CH_ID_CLR,
.gpiote_ch_id = APP_AMP_GPIOTE_CH_ID
    }
}
};

NRF_GPIO->DIRSET |= (1 << APP_PA_PIN) | (1 << APP_LNA_PIN) ;
err_code = sd_ble_opt_set(BLE_COMMON_OPT_PA_LNA, &pa_lna_opts);
APP_ERROR_CHECK(err_code);

}
#endif
```

4. AT Commands

BT832X1 module is available with firmware supporting AT commands. Part number is BT832X1-AT.

Brief description of AT commands

- Each command line consists of a prefix, a body and a terminator.
- All command lines begin with the prefix AT (ASCII 065, 084) or at (ASCII 097, 116).
- The body is a string of characters in the ASCII range 032-255. Control characters other than <CR> (carriage return; ASCII 013) and <BS> (back space; ASCII 008) in a command line are ignored.
- The terminator is <CR>.
- There is no distinction between upper-case and lower-case characters. A command line can have a maximum length of 80 characters. It is automatically discarded if the input is longer. Corrections are made
- AT command is case-insensitive, following /r/n for end code.
- The default baud rate is 9600 one stop bit and no parity

Command mode

When P0.03 of nRF52832 (pin 6 of BT832X1) is pulled high, it is set to AT command mode. In AT command mode, the host processor communicates with the processor on BT832X1.

| <i>Command</i> | <i>Response</i> | <i>Parameter</i> | <i>example</i> |
|-----------------|---------------------------------|-------------------------------|--|
| AT | OK or FAIL | none | AT/r/n OK/r/n |
| AT+RESET | OK or FAIL | none | AT+RESET/r/n OK/r/n |
| AT+VERSION? | +VERSION:<param> OK | Software version number | AT+VERSION?/r/n +VERSION140804 OK/r/n |
| AT+NAME? | +NAME:<param> OK | Device name | AT+NAME?/r/n +NAME:EZPro OK/r/n |
| AT+NAME=<param> | OK or FAIL | Device name | AT+NAME=Fanstel/r/n Or AT_Name="Fanstel"/r/n OK/r/n |
| AT+UART? | +UART:<param>,<param2>,<param3> | Baud rate, | AT+UART?/r/n |

Bluetooth Low Energy (BLE) 5 Module BT832X1 Ver 1.04Apr 2018

| | | | |
|-----------------|--|--------------------------|--|
| | OK | Stop bit, Parity | +UART:115200,1,0 OK/r/n |
| AT+UART=<parm> | +UART:<parm> | Baud rate | AT+UART=115200/r/n +UART:115200,1,0 OK/r/n 1200 2400 4800 9600 default 19200 38400 57600 115200 230400 460800 921600 1000000 |
| AT+ADDR? | +ADDR:<param> OK | Device MAC address | AT+ADDR?/r/n +ADDR:abb5:cd:604ace OK/r/n |
| AT+REGISTER | OK or FAIL | none | AT+REGISTER/r/n OK/r/n |
| AT+QUITREGISTER | OK or FAIL | none | AT+QUITREGISTER/r/n OK/r/n |
| AT+RX? | +Name:<parm> +UART:<parm> +ADDR:<parm> | none | AT+RX?/r/n +NAME:EZPro/r/n +UART:115200,1,1/r/n +ADDR:abb5:cd:604ace /r/n |
| AT+DEFAULT | OK or FAIL | none | AT+DEFAULT/r/n OK/r/n |
| AT_RFPW? | +RFPW:parm | +4~-8 | AT+RFPW?/r/n +RFPW:-4 OK/r/n |

| | | | |
|------------------------|------------|---------------------------------|--|
| | | | 0:+4 1:+0 default 2:-4 3:-8 |
| AT_RFPW=<parm> | OK or FAIL | +4~-8 | AT+RFPW= 1/r/n OK/r/n 0:+4 1:+0 2:-4 3:-8 |
| AT+PIO=<param><param1> | OK or FAIL | P00-P05 1=High ,0=low | AT+PIO=05, 0\r\n OK/r/n |
| AT+PIS=<param><param1> | OK or FAIL | P00-P05 1=output, 0=input | AT+PIS=05, 1\r\n OK/r/n |

Data Mode

When P0.03 of nRF52832 (pin 6 of BT832X1) is pulled low, it is set to data mode. In data model, BT832X1 provides transparent data transfer between the host processor and a remote device, for example, a smartphone.

Communicating with a PC

A quick and easy way to evaluate BT832X1 is to use a PC as the host processor. Connect the development board EV-BT832X1 to a PC with an USB cable. Then,

- Set S1, BT832X1 is set to command mode. PC will communicate with BT832X1.
- Set switch S1 to the other position, BT832X1 is set to data mode. PC will communicate with a remote device through BT832X1 Bluetooth wireless connection.

Docklight is a testing, analysis and simulation tool for serial communication protocols (RS232, RS485/422 and others). It allows you to monitor the communication between two serial devices or to test the serial communication of a single device. Docklight significantly increases productivity in a broad range of industries, including automation and control, communications, automotive, equipment manufacturers, and embedded / consumer products. Docklight is easy to use and runs on almost any standard PC using Windows 10, Windows 8, Windows 7, Windows Vista or Windows XP operating system.

Docklight software can be downloaded from the following:

http://www.docklight.de/download_en.htm

5. Evaluation Boards and Reference Designs

Schematics and Gerber Files

Evaluation board schematics and Gerber files can be downloaded from

<http://www.fanstel.com/download-document/>

Evaluation board can be used as a reference design for using modules. EV BT840F V3 is designed for the BT840F soldering pads with 61 pins. When a BT832X1 is mounted on an EV BT840F, it becomes an EV BT832X1. These 21 pins in solid dark color are not connected when a BT832X1 is mounted.

BT832X1 has the same soldering pad footprint as BT832 or BT832F. Library component for BT832 and BT840F can be used. For the Bluetooth range performance, BT840F library component shall be used for your BT832X1 design.

Bluetooth Low Energy (BLE) 5 Module BT832X1 Ver 1.04Apr 2018

Evaluation Board EV BT832X1 V4Schematics

EV BT832X1 V4 evaluation board is developed for BT840F and BT832X1. It can be used for BT832 and BT832F. Pins in solid color are used only for BT840F.

On EV BT832X1, SW5 must be set to OFF and use on-board 32.768 KHz clock. Around U1 BT840 (832) red color pin functions are for BT840F and blue color pin functions are for BT832X1.

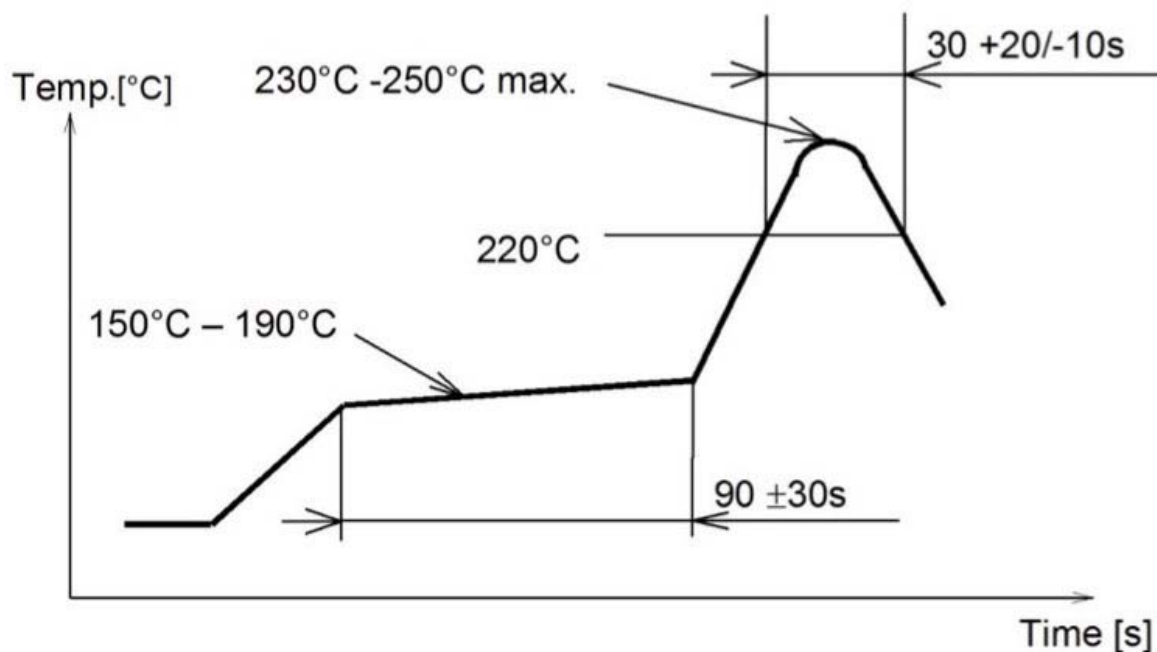
Additional feature enhancements for version V4 evaluation board:

1. It has the same foot print as Arduino Uno R3. Additional connectors are added for connection to extra GPIO pins of BlueNor modules.
2. EV BT832X1 is not an UNO R3 compatible board. You can use Nordic develop tools to develop firmware for many UNO R3 compatible shields.
3. SW5 must be set to OFF and use internal 32.768 kHz crystal or oscillator.
4. Portable smartphone charger can be used to power this board. The circuitry to the left of micro USB connector, J16 produces periodic load to prevent portable smartphone charger from shutting down.

6. Miscellaneous

Soldering Temperature-Time Profile for Re-Flow Soldering

Maximum number of cycles for re-flow is 2. No opposite side re-flow is allowed due to module weight.



Cautions, Design Notes, and Installation Notes

Failure to follow the guidelines set forth in this document may result in degrading of the product's functions and damage to the product.

Design Notes

- (1) Follow the conditions written in this specification, especially the control signals of this module.
- (2) The supply voltage has to be free of AC ripple voltage (for example from a battery or a low noise regulator output). For noisy supply voltages, provide a decoupling circuit (for example a ferrite in series connection and a bypass capacitor to ground of at least 47uF directly at the module).
- (3) This product should not be mechanically stressed when installed.
- (4) Keep this product away from heat. Heat is the major cause of decreasing the life of these products.
- (5) Avoid assembly and use of the target equipment in conditions where the products' temperature may exceed the maximum tolerance.
- (6) The supply voltage should not be exceedingly high or reversed. It should not carry noise and/or spikes.

Bluetooth Low Energy (BLE) 5 Module BT832X1 Ver 1.04Apr 2018

(7) this product away from other high frequency circuits.

Notes on Antenna and PCB Layout

(1) Don't use a module with internal antenna inside a metal case.

(2) For PCB layout:

- Avoid running any signal line below module whenever possible,
- No ground plane below antenna,
- If possible, cut-off the portion of main board PCB below antenna.

Installation Notes

(1) Reflow soldering is possible twice based on the time-temperature profile in this data sheets. Set up the temperature at the soldering portion of this product according to this reflow profile.

(2) Carefully position the products so that their heat will not burn into printed circuit boards or affect the other components that are susceptible to heat.

(3) Carefully locate these products so that their temperatures will not increase due to the effects of heat generated by neighboring components.

(4) If a vinyl-covered wire comes into contact with the products, then the cover will melt and generate toxic gas, damaging the insulation. Never allow contact between the cover and these products to occur.

(5) This product should not be mechanically stressed or vibrated when reflowed.

(6) If you want to repair your board by hand soldering, please keep the conditions of this chapter.

(7) Do not wash this product.

(8) Refer to the recommended pattern when designing a board.

(9) Pressing on parts of the metal cover or fastening objects to the metal will cause damage to the unit.

(10) For more details on LGA (Land Grid Array) soldering processes refer to the application note.

Usage Condition Notes

(1) Take measures to protect the unit against static electricity. If pulses or other transient loads (a large load applied in a short time) are applied to the products, check and evaluate their operation before assembly on the final products.

(2) Do not use dropped products.

(3) Do not touch, damage or soil the pins.

(4) Follow the recommended condition ratings about the power supply applied to this product.

(5) Electrode peeling strength: Do not add pressure of more than 4.9N when soldered on PCB

Bluetooth Low Energy (BLE) 5 Module BT832X1 Ver 1.04Apr 2018

- (6) Pressing on parts of the metal cover or fastening objects to the metal cover will cause damage.
- (7) These products are intended for general purpose and standard use in general electronic equipment, such as home appliances, office equipment, information and communication equipment.

Storage Notes

- (1) The module should not be stressed mechanically during storage.
- (2) Do not store these products in the following conditions or the performance characteristics of the product, such as RF performance will be adversely affected:
 - Storage in salty air or in an environment with a high concentration of corrosive gas.
 - Storage in direct sunlight
 - Storage in an environment where the temperature may be outside the range specified.
 - Storage of the products for more than one year after the date of delivery storage period.
- (3) Keep this product away from water, poisonous gas and corrosive gas.
- (4) This product should not be stressed or shocked when transported.
- (5) Follow the specification when stacking packed crates (max. 10).

Safety Conditions

These specifications are intended to preserve the quality assurance of products and individual components. Before use, check and evaluate the operation when mounted on your products. Abide by these specifications, without deviation when using the products. These products may short-circuit. If electrical shocks, smoke, fire, and/or accidents involving human life are anticipated when a short circuit occurs, then provide the following failsafe functions, as a minimum.

- (1) Ensure the safety of the whole system by installing a protection circuit and a protection device.
- (2) Ensure the safety of the whole system by installing a redundant circuit or another system to prevent a dual fault causing an unsafe status.

Other Cautions

- (1) This specification sheet is copyrighted. Reproduction of this data sheets is permissible only if reproduction is without alteration and is accompanied by all associated warranties, conditions, limitations, and notices.
- (2) Do not use the products for other purposes than those listed.
- (3) Be sure to provide an appropriate failsafe function on your product to prevent an additional damage that may be caused by the abnormal function or the failure of the product.
- (4) This product has been manufactured without any ozone chemical controlled under the Montreal Protocol.

Bluetooth Low Energy (BLE) 5 Module BT832X1 Ver 1.04Apr 2018

- (5) These products are not intended for other uses, other than under the special conditions shown below. Before using these products under such special conditions, check their performance and reliability under the said special conditions carefully to determine whether or not they can be used in such a manner.
- In liquid, such as water, salt water, oil, alkali, or organic solvent, or in places where liquid may splash.
 - In direct sunlight, outdoors, or in a dusty environment
 - In an environment where condensation occurs.
 - In an environment with a high concentration of harmful gas.
- (6) If an abnormal voltage is applied due to a problem occurring in other components or circuits, replace these products with new products because they may not be able to provide normal performance even if their electronic characteristics and appearances appear satisfactory.
- (7) When you have any question or uncertainty, contact Fanstel.

Packaging

Production modules are delivered in reel, 1000 modules in each reel.

FCC LABEL

The Original Equipment Manufacturer (OEM) must ensure that the OEM modular transmitter must be labeled with its own FCC ID number. This includes a clearly visible label on the outside of the final product enclosure that displays the contents shown below. If the FCC ID is not visible when the equipment is installed inside another device, then the outside of the device into which the equipment is installed must also display a label referring to the enclosed equipment

The end product with this module may subject to perform FCC part 15 unintentional emission test requirement and be properly authorized.

This device is intended for OEM integrator only.



7.Contact Us

United States:

Fanstel Corp.

7466 E. Monte Ctisto Ave. Scottsdale AZ 85260

Tel. 1 480-948-4928

Fax. 1-480-948-5459

Email: module@fanstel.com

Website: www.fanstel.com

Taiwan:

Fanstel Corp.

10F-10, 79 Xintai Wu Road

Xizhu, New Taipei City, Taiwan 22101

泛世公司

臺灣省新北市汐止區新臺五路 79 號 10 樓之 10, 22101

Tel. 886-2-2698-9328

Fax. 886-2-2698-4813

Email: tp@fanstel.com

Website: www.fanstel.com

China:

Fanstel Technologies Corp.

11 Jiale Street

Ping-Dih, Long-Gang, Shen Zhen, GD 518117

泛世康科技(深圳)有限公司

廣東省深圳市龍崗區坪地鎮佳樂街 11 號

Tel. 86-755-8409-0928

Fax. 86-755-8409-0973

QQ. 3076221086

Email: sz@fanstel.com

Website: www.fanstel.com

Federal Communications Commission (FCC) Statement

15.21

You are cautioned that changes or modifications not expressly approved by the part responsible for compliance could void the user's authority to operate the equipment.

15.105(b)

This equipment has been tested and found to comply with the limits for a Class B digital device, pursuant to part 15 of the FCC rules. These limits are designed to provide reasonable protection against harmful interference in a residential installation. This equipment generates, uses and can radiate radio frequency energy and, if not installed and used in accordance with the instructions, may cause harmful interference to radio communications. However, there is no guarantee that interference will not occur in a particular installation. If this equipment does cause harmful interference to radio or television reception, which can be determined by turning the equipment off and on, the user is encouraged to try to correct the interference by one or more of the following measures:

- Reorient or relocate the receiving antenna.
- Increase the separation between the equipment and receiver.
- Connect the equipment into an outlet on a circuit different from that to which the receiver is connected.
- Consult the dealer or an experienced radio/TV technician for help.

This device complies with Part 15 of the FCC Rules. Operation is subject to the following two conditions:

- 1) this device may not cause harmful interference, and
- 2) this device must accept any interference received, including interference that may cause undesired operation of the device.

FCC RF Radiation Exposure Statement

- 1) This Transmitter must not be co-located or operating in conjunction with any other antenna or transmitter.
- 2) This equipment complies with FCC RF radiation exposure limits set forth for an uncontrolled environment. This equipment should be installed. This equipment should be installed and operated with a minimum distance of 20 centimeters between the radiator and your body.

Note: The end product shall has the words "Contains Transmitter Module FCC ID: X8WBT832XE



Bluetooth Low Energy (BLE) 5 Module BT832X1 Ver 1.04Apr 2018

Canada, Industry Canada (IC)

This Class B digital apparatus complies with Canadian ICES-003
Cet appareil numérique de classe B est conforme à la norme NMB-003.

This device complies with Industry Canada licence-exempt RSS standard(s). Operation is subject to the following two conditions: (1) this device may not cause interference, and (2) this device must accept any interference, including interference that may cause undesired operation of the

Le présent appareil est conforme aux CNR d'Industrie Canada applicables aux appareils radio exempts de licence. L'exploitation est autorisée aux deux conditions suivantes:

(1) l'appareil ne doit pas produire de brouillage, et

(2) l'utilisateur de l'appareil doit accepter tout brouillage radioélectrique subi, même si le brouillage est susceptible d'en compromettre le fonctionnement.

Canada, avis d'Industry Canada (IC)

"Le présent appareil est conforme aux CNR d'Industrie Canada applicables aux appareils radio exempts de licence. L'exploitation est autorisée aux deux conditions suivantes : (1) l'appareil ne doit pas produire de brouillage, et (2) l'utilisateur de l'appareil doit accepter tout brouillage radioélectrique subi, même si le brouillage est susceptible d'en compromettre le fonctionnement."

Déclaration d'exposition aux radiations:

Cet équipement est conforme aux limites d'exposition aux rayonnements ISED établies pour un environnement non contrôlé. Cet équipement doit être installé et utilisé avec un minimum de 20 cm de distance entre la source de rayonnement et votre corps.

(Modular approval) End Product Labeling:

The final end product must be labeled in a visible area with the following: "Contains IC: 4100A-BT832XE".

Caution: Exposure to Radio Frequency Radiation.

To comply with RSS 102 RF exposure compliance requirements

OEM statement

The Original Equipment Manufacturer (OEM) must ensure that the OEM modular transmitter must be labeled with its own FCC ID number. This includes a clearly visible label on the outside of the final product enclosure that displays the contents shown below. If the FCC ID is not visible when the equipment is installed inside another device, then the outside of the device into which the equipment is installed must also display a label referring to the enclosed equipment

The end product with this module may subject to perform FCC part 15 unintentional emission test requirement and be properly authorized.

This device is intended for OEM integrator only.