

REVISION RECORD			
LTR	ECO NO:	APPROVED:	DATE:

6 5 4 3 2 1

D

D

C

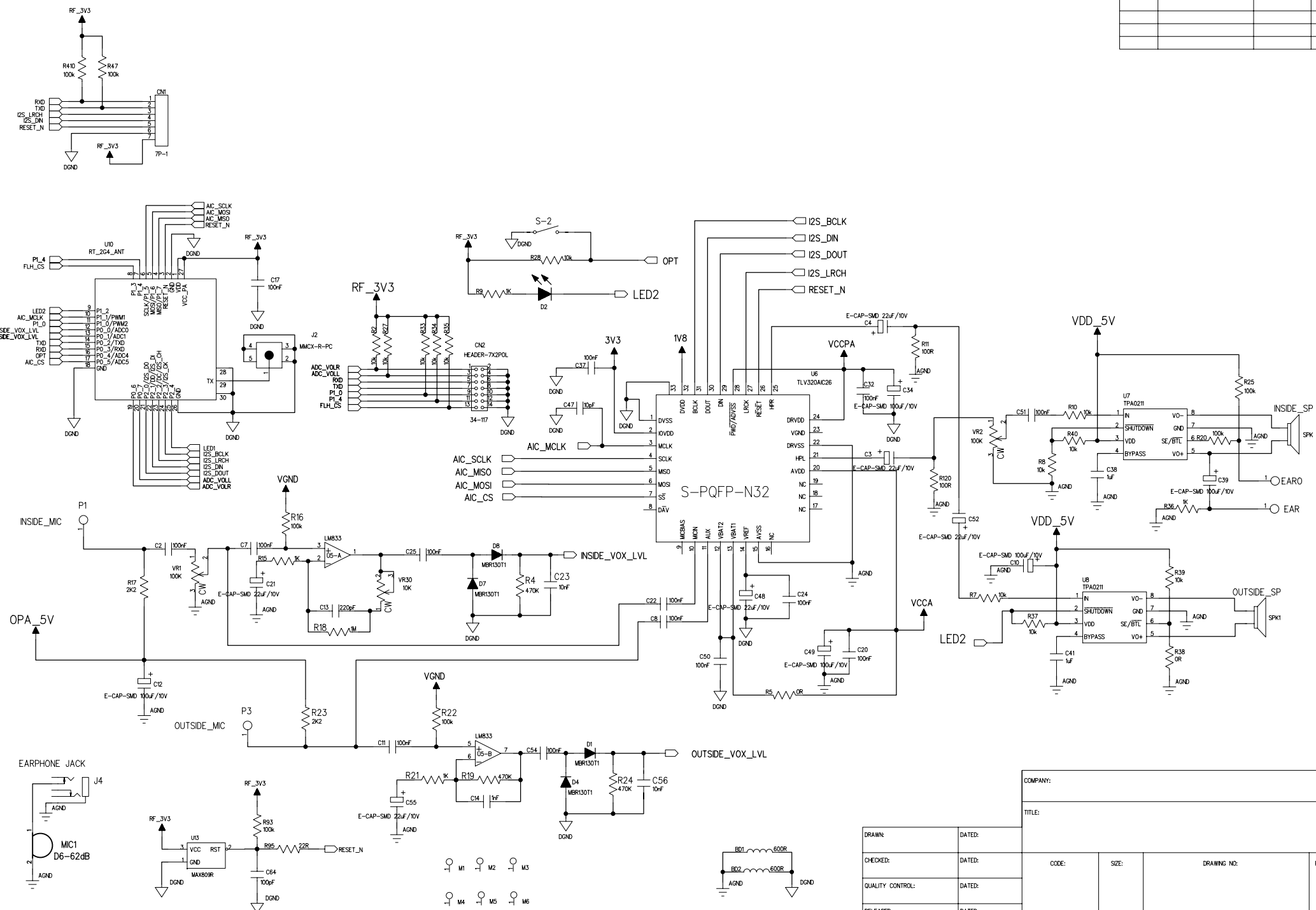
C

B

B

A

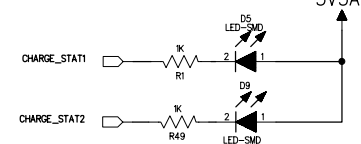
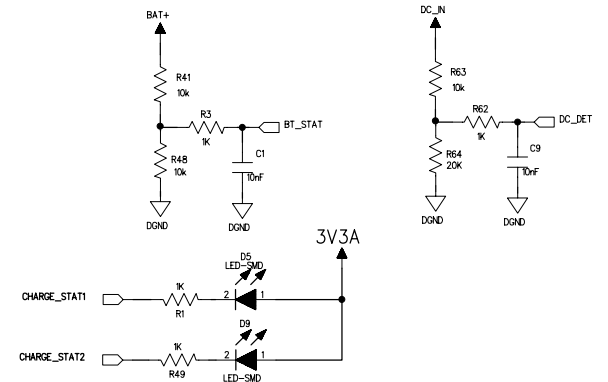
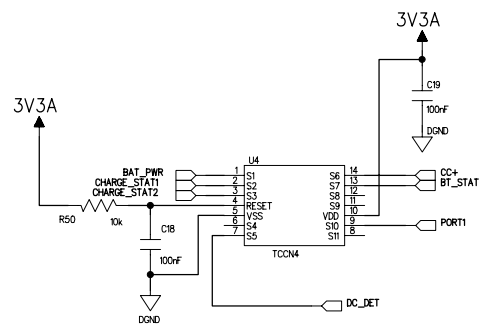
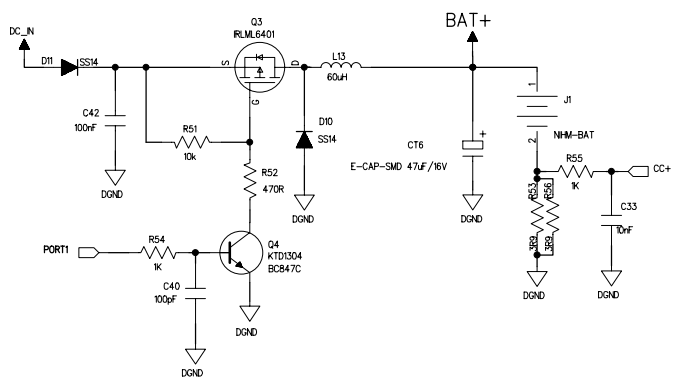
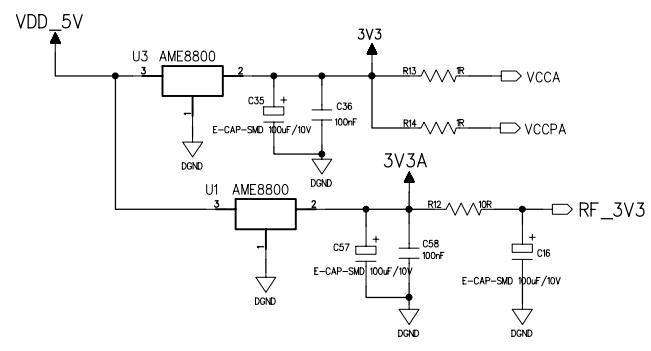
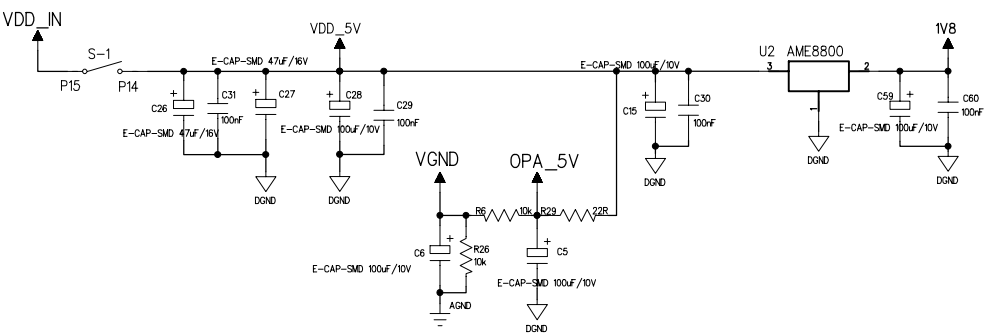
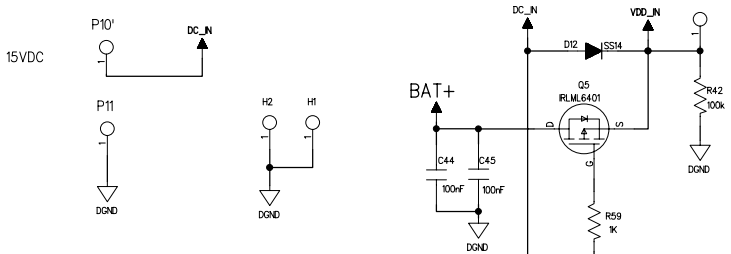
A



COMPANY:				
TITLE:				
DRAWN:	DATED:	CODE:	SIZE:	DRAWING NO:
CHECKED:	DATED:	SCALE:	SHEET: OF	
QUALITY CONTROL:	DATED:	REV:		
RELEASED:	DATED:			



REVISION RECORD			
LTR	ECO NG:	APPROVED:	DATE:



COMPANY:			
TITLE:			
DRAWN:	DATED:	CODE:	SIZE:
CHECKED:	DATED:	DRAWING NO:	REV:
QUALITY CONTROL:	DATED:	SCALE:	
RELEASED:	DATED:	SHEET: OF	

D

D

C

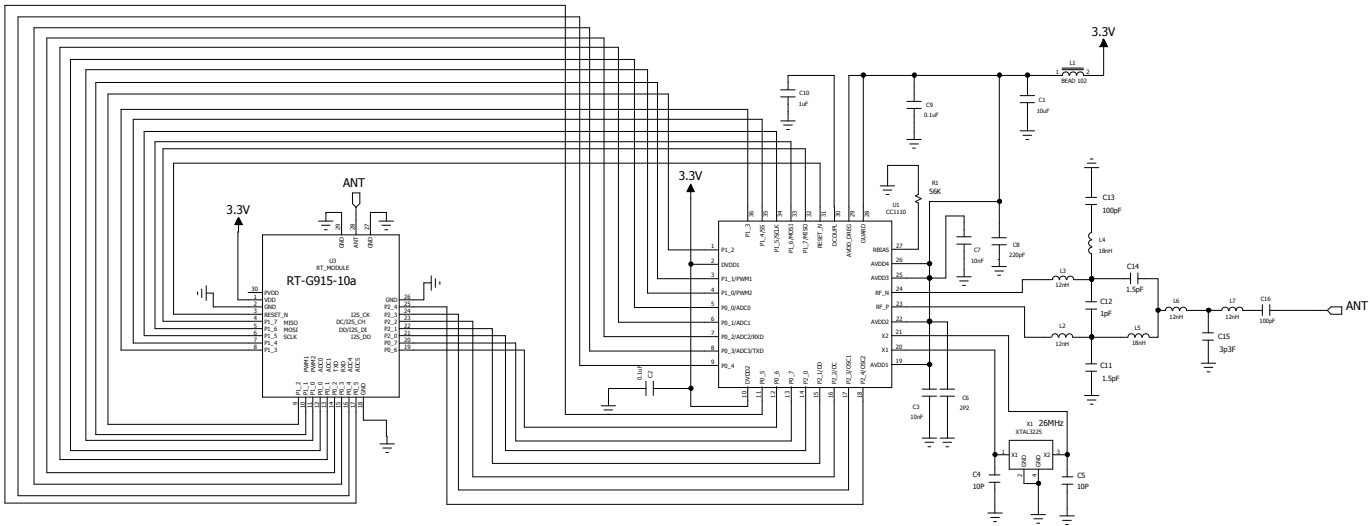
C

B

B

A

A



RICH-TECH (HK) LTD			
Title:		CHIPCON CC1110/915 RF MODULE	
Scale:		Drawing No.:	Checked:
Rev.: A	Size: XX	File Name:	Approved:
Date: 26 Sep.2009		File Name: RTA-899NLN-02	Sheet: 1 of 1