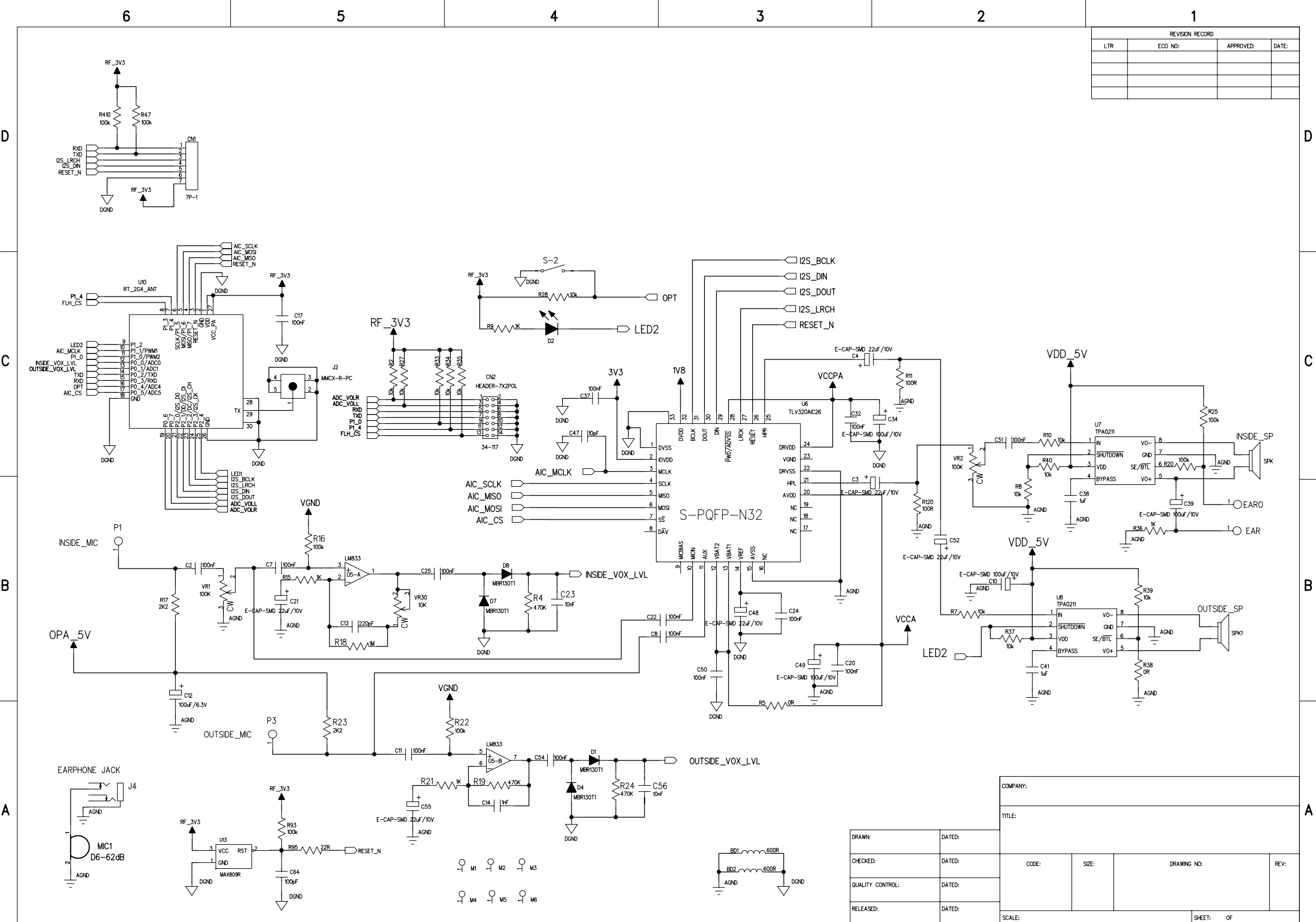
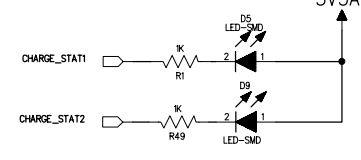
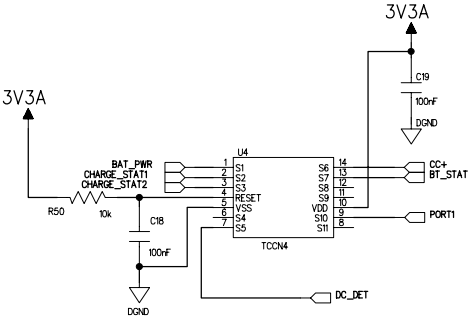
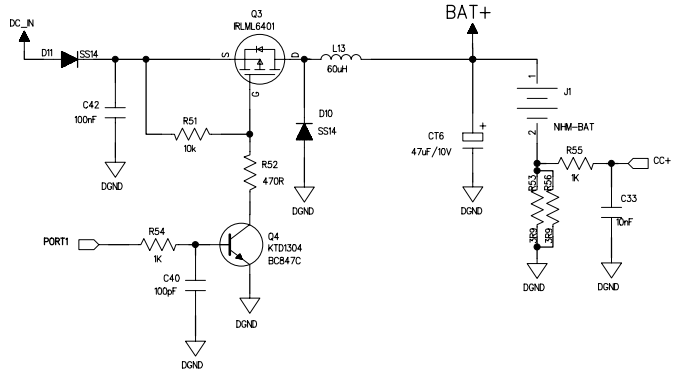
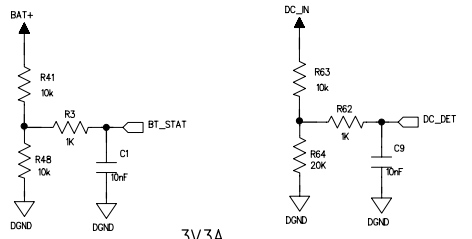
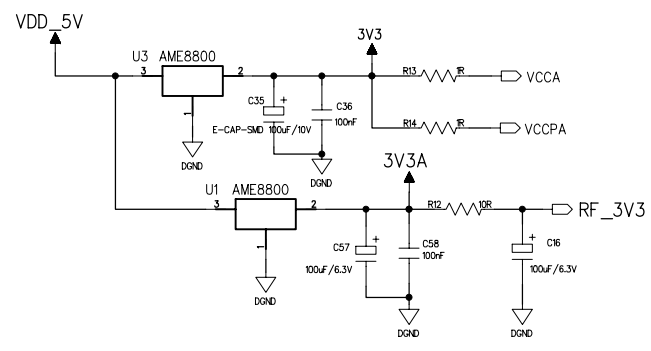
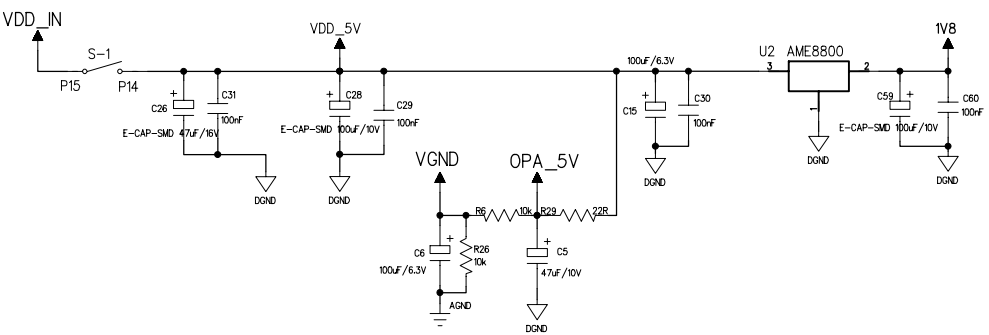
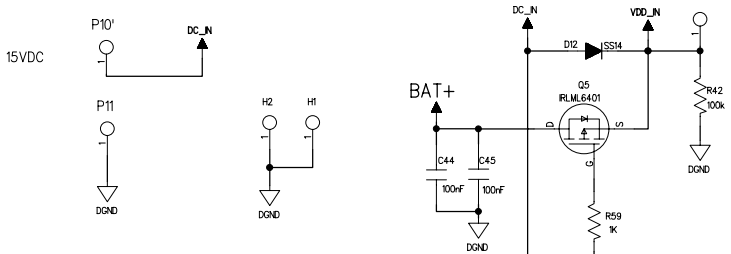


REVISION RECORD			
LTR	ECO NO:	APPROVED:	DATE:



COMPANY:		DRAWING NO:		REV:	
TITLE:		CODE:		SIZE:	
DRAWN:		DATED:		SCALE:	
CHECKED:		DATED:		SHEET: OF	
QUALITY CONTROL:		DATED:			
RELEASED:		DATED:			

REVISION RECORD			
LTR	ECO NO:	APPROVED:	DATE:



COMPANY:				
TITLE:				
DRAWN:	DATED:	CODE:	SIZE:	DRAWING NO:
CHECKED:	DATED:			REV:
QUALITY CONTROL:	DATED:			
RELEASED:	DATED:			
SCALE:				SHEET: OF

D

D

C

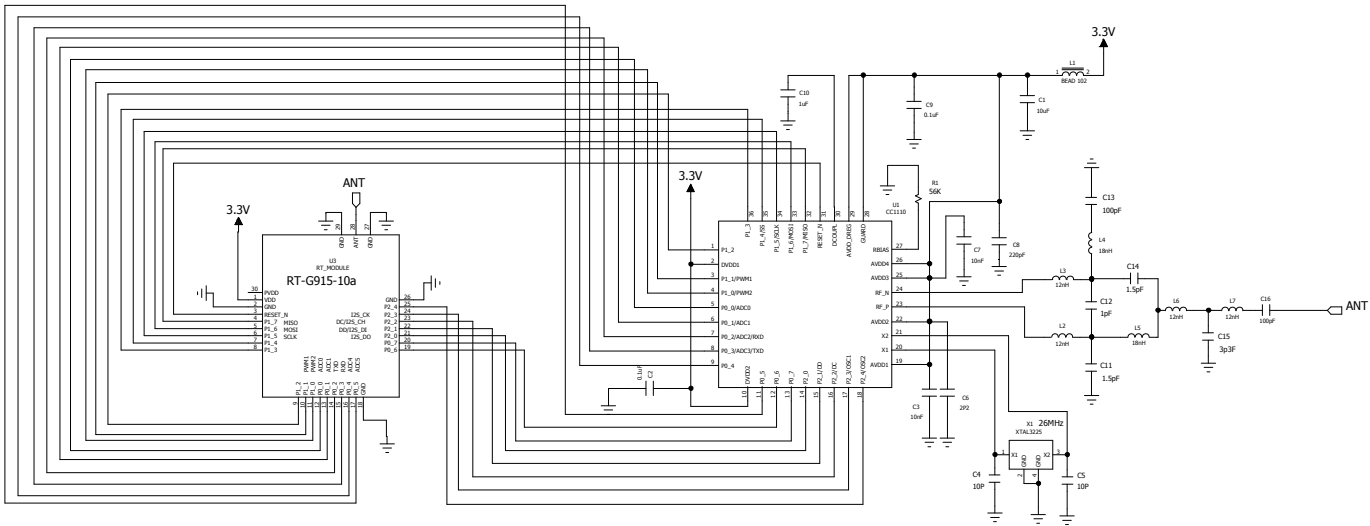
C

B

B

A

A



RICH-TECH (HK) LTD			
Title:		CHIPCON CC1110/915 RF MODULE	
Scale:		Drawing No.:	Checked:
Rev.: A	Size: XX	File Name:	Approved:
Date: 26 Sep.2009		File Name: RTA-89NLAN-02	Sheet: 1 of 1