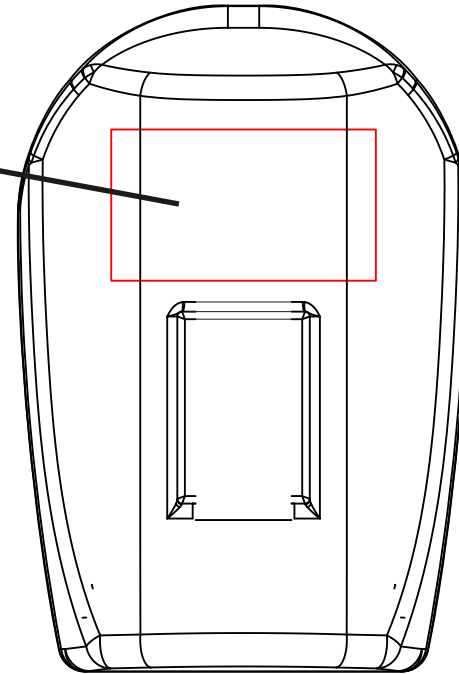


PROPRIETARY INFORMATION

MANARAS-OPERA MADE IN CHINA
FCC ID: X7OEM101
MODEL:EM-101 IC: 8860A-EM101

This device complies with Part 15 of the FCC Rules. Operation is subject to the following two conditions: (1) This device may not cause harmful interference, and (2) This device must accept any interference received, including interference that may cause undesired operation.

SIZE = 35X20mm



CPL CAPITAL PROSPECT LTD.

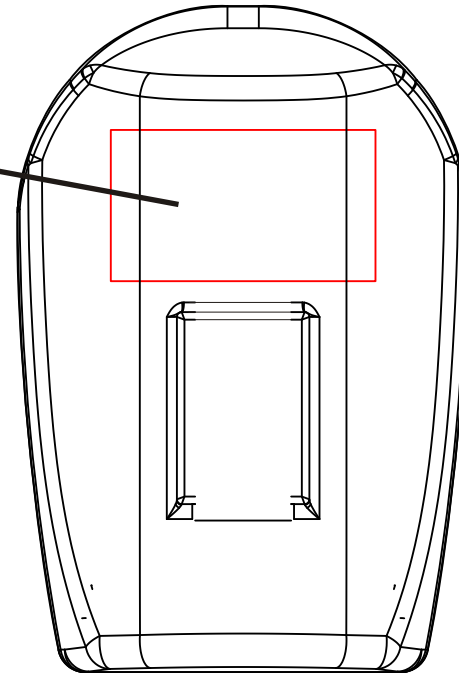
MODEL: EM-101
LABEL DIAGRAM
DATE : MAY 7, 2010
PAGE : 1 OF 1

PROPRIETARY INFORMATION

MANARAS-OPERA MADE IN CHINA
FCC ID: X7OEM101
MODEL: EM-103 IC: 8860A-EM101

This device complies with Part 15 of the FCC Rules. Operation is subject to the following two conditions: (1) This device may not cause harmful interference, and (2) This device must accept any interference received, including interference that may cause undesired operation.

SIZE = 35X20mm



CPL CAPITAL PROSPECT LTD.

MODEL: EM-103
LABEL DIAGRAM
DATE : MAY 7, 2010
PAGE : 1 OF 1