

Limited Module Approval Request Letter

Subject: Limited Modular Approval

Date: 2010 / 05 / 03

FCC ID: X6W-MOD

We, Power-One Italy S.p.a., authorize Eurofins Product Service GmbH to have our model PVI-RADIOMODULE-US approved under limited module approval authorization. The application of this module is specified to mobile host equipment. The requirements regulated in Public Notice DA00-1407 have been fulfilled and clearly explained below.

1. The requirement of RF shielding: The shielding of the radio portion can be demonstrated in exhibition external photo.
2. The requirement of buffered inputs: Buffered data inputs stage has been integrated in the microprocessor.
3. The requirement of power supply regulation: The power regulator is explained in the attached file.
4. The requirements of section 15.203 and 15.204(C): The requirements of antenna connector and spurious emission have been fulfilled. Please reference the exhibition Test Report.
5. The requirement of stand-alone test configuration: Please reference exhibition Test Configuration Photo for the stand-alone test configuration.
6. The requirement of labelling: The instruction on the labelling rule of the end product has been stated in the Users manual of this module. Please also see the exhibition Label Sample.
7. The requirement of compliance on specific rule or operating requirements: The required FCC rule has been fulfilled and all the instructions for maintaining compliance has been clearly stated in the Users Manual.

. / .

Power-One Italy, S.p.A.



- 2 -

8. The requirement of RF exposure: Please refer exhibition RF Exposure for the compliance of MPE RF exposure rule.

*

Company name: Power-One S.p.a.

Company Address: Via San Giorgio, 642 – I 52028 Terranuova Bracciolini (AR) – Italy

A handwritten signature in black ink, reading "Gianfranco Iannuzzi". The signature is written in a cursive style with a long horizontal stroke at the beginning.

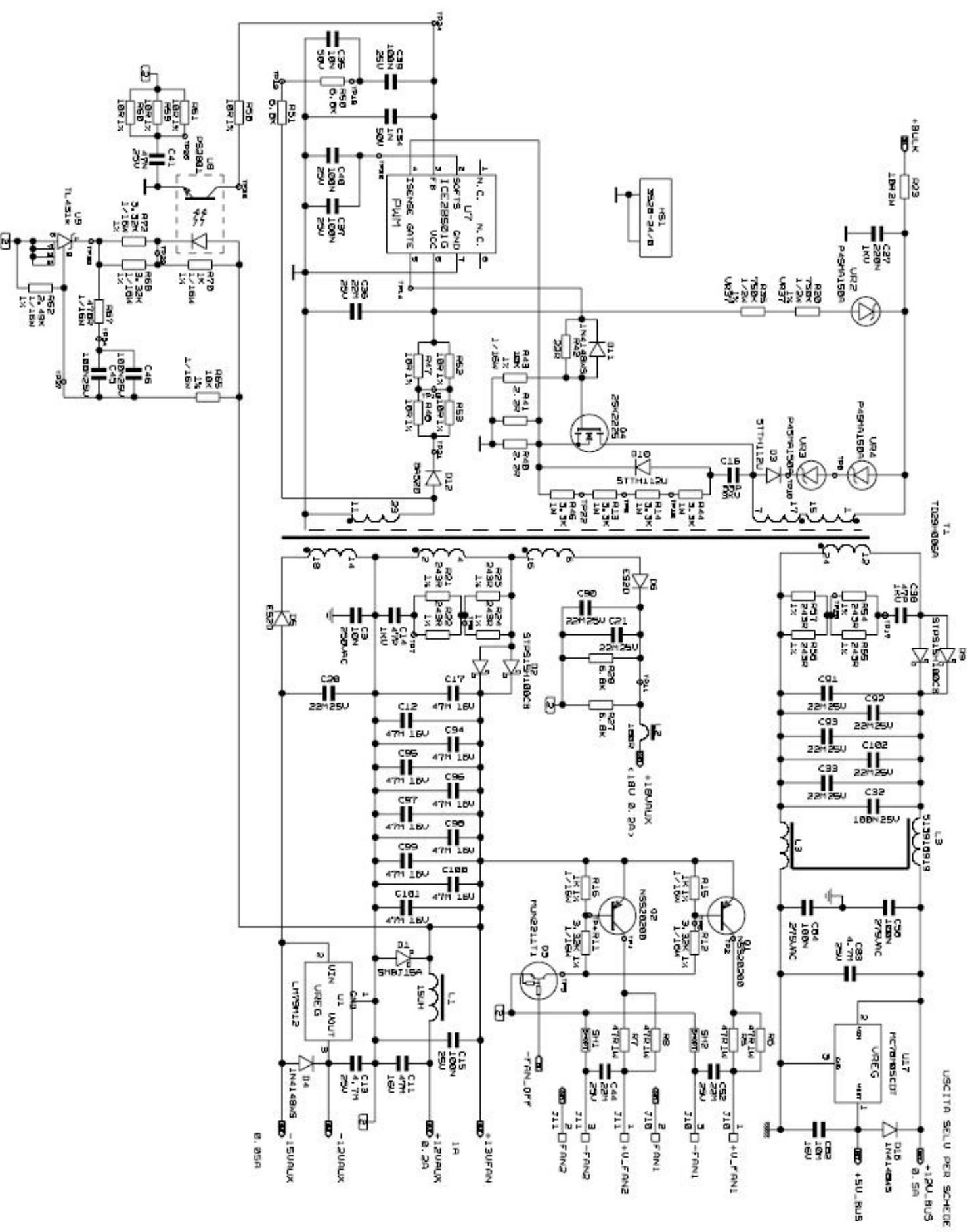
Signature:

Name: (Mr.) Gianfranco Iannuzzi

Job Title: Test Houses Liaison Engineer

power-one®

Power-One Italy S.p.a.
Via S. Giorgio, 642
52028 Terranuova Bracciolini - Arezzo
Part. IVA 01574720510



T1
T028-0050A

L3
512510919

UL7
IC7
IC28521G

UL1
UL2

UL3
UL4

UL5
UL6

UL7
UL8

UL9
UL10

UL11
UL12

UL13
UL14

UL15
UL16

UL17
UL18

UL19
UL20

UL21
UL22

UL23
UL24

UL25
UL26

UL27
UL28

UL29
UL30

UL31
UL32

UL33
UL34

UL35
UL36

UL37
UL38

UL39
UL40

UL41
UL42

UL43
UL44

UL45
UL46

UL47
UL48

UL49
UL50

UL51
UL52

UL53
UL54

UL55
UL56

UL57
UL58

UL59
UL60

UL61
UL62

UL63
UL64

UL65
UL66

UL67
UL68

UL69
UL70

UL71
UL72

UL73
UL74

UL75
UL76

UL77
UL78

UL79
UL80

UL81
UL82

UL83
UL84

UL85
UL86

UL87
UL88

UL89
UL90

UL91
UL92

UL93
UL94

UL95
UL96

UL97
UL98

UL99
UL100

UL101
UL102

UL103
UL104

UL105
UL106

UL107
UL108

UL109
UL110

UL111
UL112

UL113
UL114

UL115
UL116

UL117
UL118

UL119
UL120

UL121
UL122

UL123
UL124

UL125
UL126

UL127
UL128

UL129
UL130

UL131
UL132

UL133
UL134

UL135
UL136

UL137
UL138

UL139
UL140

UL141
UL142

UL143
UL144

UL145
UL146

UL147
UL148

UL149
UL150

UL151
UL152

UL153
UL154

UL155
UL156

UL157
UL158

UL159
UL160

UL161
UL162

UL163
UL164

UL165
UL166

UL167
UL168

UL169
UL170

UL171
UL172

UL173
UL174

UL175
UL176

UL177
UL178

UL179
UL180

UL181
UL182

UL183
UL184

UL185
UL186

UL187
UL188

UL189
UL190

UL191
UL192

UL193
UL194

UL195
UL196

UL197
UL198

UL199
UL200

UL201
UL202

UL203
UL204

UL205
UL206

UL207
UL208

UL209
UL210

UL211
UL212

UL213
UL214

UL215
UL216

UL217
UL218

UL219
UL220

UL221
UL222

UL223
UL224

UL225
UL226

UL227
UL228

UL229
UL230

UL231
UL232

UL233
UL234

UL235
UL236

UL237
UL238

UL239
UL240

UL241
UL242

UL243
UL244

UL245
UL246

UL247
UL248

UL249
UL250

UL251
UL252

UL253
UL254

UL255
UL256

UL257
UL258

UL259
UL260

UL261
UL262

UL263
UL264

UL265
UL266

UL267
UL268

UL269
UL270

UL271
UL272

UL273
UL274

UL275
UL276

UL277
UL278

UL279
UL280

UL281
UL282

UL283
UL284

UL285
UL286

UL287
UL288

UL289
UL290

UL291
UL292

UL293
UL294

UL295
UL296

UL297
UL298

UL299
UL300

UL301
UL302

UL303
UL304

UL305
UL306

UL307
UL308

UL309
UL310

UL311
UL312

UL313
UL314

UL315
UL316

UL317
UL318

UL319
UL320

UL321
UL322

UL323
UL324

UL325
UL326

UL327
UL328

UL329
UL330

UL331
UL332

UL333
UL334

UL335
UL336

UL337
UL338

UL339
UL340

UL341
UL342

UL343
UL344

UL345
UL346

UL347
UL348

UL349
UL350

UL351
UL352

UL353
UL354

UL355
UL356

UL357
UL358

UL359
UL360

UL361
UL362

UL363
UL364

UL365
UL366

UL367
UL368

UL369
UL370

UL371
UL372

UL373
UL374

UL375
UL376

UL377
UL378

UL379
UL380

UL381
UL382

UL383
UL384

UL385
UL386

UL387
UL388

UL389
UL390

UL391
UL392

UL393
UL394

UL395
UL396

UL397
UL398

UL399
UL400

UL401
UL402

UL403
UL404

UL405
UL406

UL407
UL408

UL409
UL410

UL411
UL412

UL413
UL414

UL415
UL416

UL417
UL418

UL419
UL420

UL421
UL422

UL423
UL424

UL425
UL426

UL427
UL428

UL429
UL430

UL431
UL432

UL433
UL434

UL435
UL436

UL437
UL438

UL439
UL440

UL441
UL442

UL443
UL444

UL445
UL446

UL447
UL448

UL449
UL450

UL451
UL452

UL453
UL454

UL455
UL456

UL457
UL458

UL459
UL460

UL461
UL462

UL463
UL464

UL465
UL466

UL467
UL468

UL469
UL470

UL471
UL472

UL473
UL474

UL475
UL476

UL477
UL478

UL479
UL480

UL481
UL482

UL483
UL484

UL485
UL486

UL487
UL488

UL489
UL490

UL491
UL492

UL493
UL494

UL495
UL496

UL497
UL498

UL499
UL500

UL501
UL502

UL503
UL504

UL505
UL506

UL507
UL508

UL509
UL510

UL511
UL512

UL513
UL514

UL515
UL516

UL517
UL518

UL519
UL520

UL521
UL522

UL523
UL524

UL525
UL526

UL527
UL528

UL529
UL530

UL531
UL532

UL533
UL534

UL535