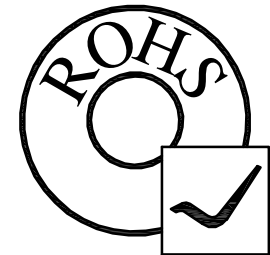
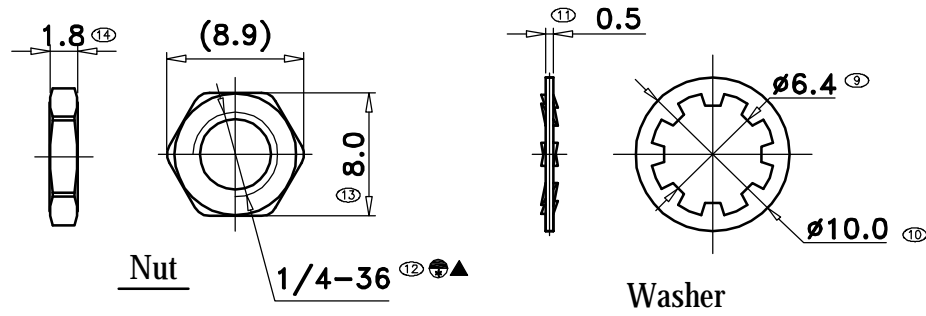
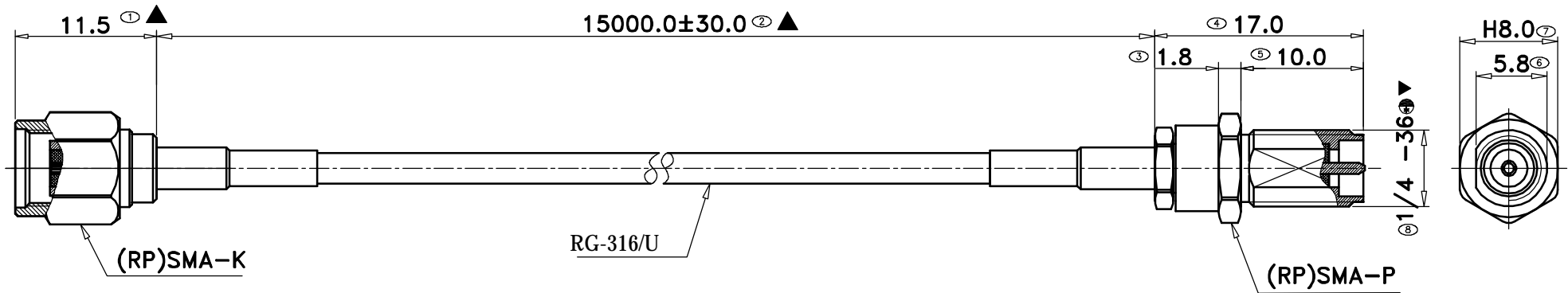


REV.	ISSUE FOR	OLD DRAWING NO.	APPROVED	80<L<=250	±0.50
				25<L<=80	±0.40
				8<L<=25	±0.30
				L<=8	±0.20
				Length L	Tolerances without remark
Tolerances without remark					



Note:

1. A high-frequency connector for: (RP) SMA-P, gold-plated.
2. The high-frequency connectors: (RP) SMA-K, gold-plated.
3. Coaxial models: RG-316 / U, the color is black.
4. Nut and washer to be packed separately.
5. Appearance will not allow crush, dirty, distortion and other undesirable phenomena.
6. ▲ Focus point of control size.
7. ** As FAI size.
8. ⊕ As inspection dimensions.

TITLE	Coaxial cable assembly	REV	SCALE	2 : 1	DRAWN	dm. w	25/06-12
PART NAME	G-(RP)SMA(K)-RG316/U-15000MM-(RP)SMA(P)-00	A	MATERIAL		INSPECTED		
BONDALE ELECTRONICS LTD.			HANDLING		APPROVED		
			DRAWING NO.	G-(RP)SMA(K)-RG316/U-15000MM-(RP)SMA(P)-00			