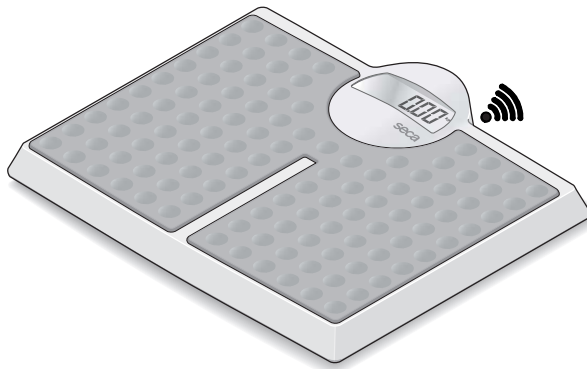

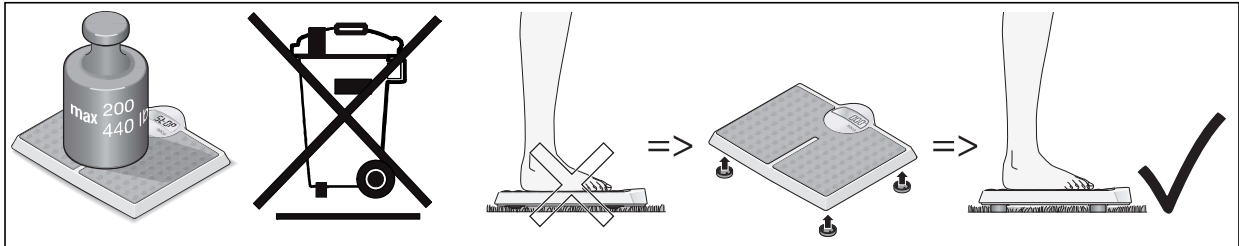


# Instructions for use

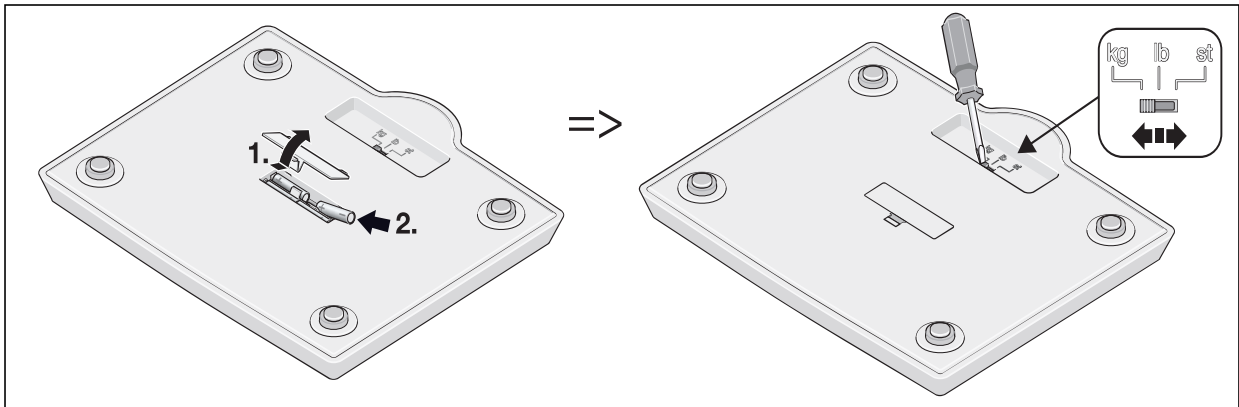


seca **813**  
seca robusta bt 

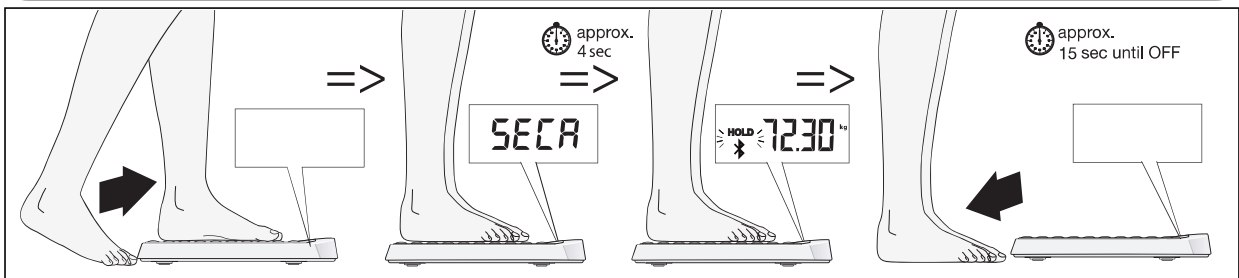
## • Safety precautions



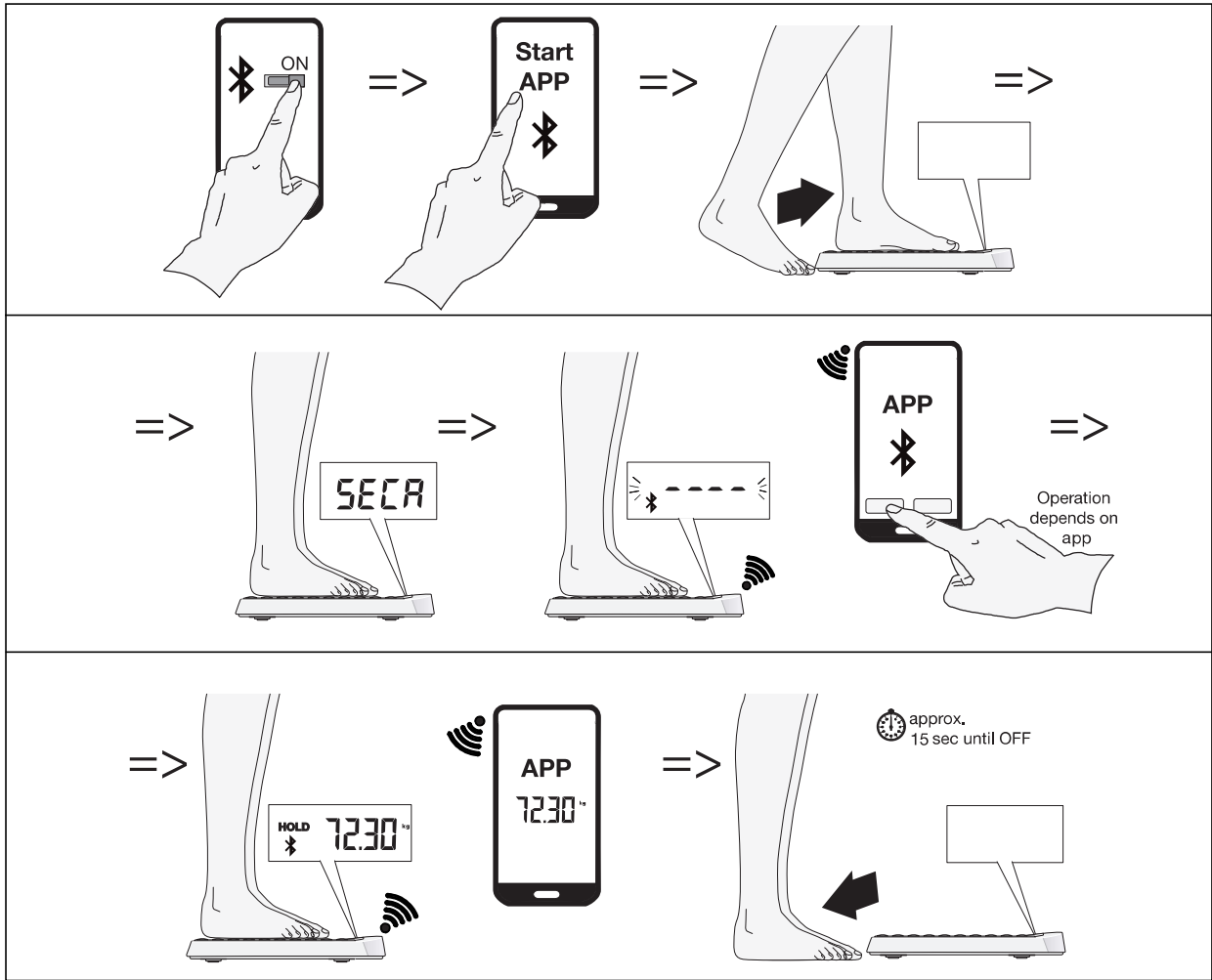
## • Before you start ...



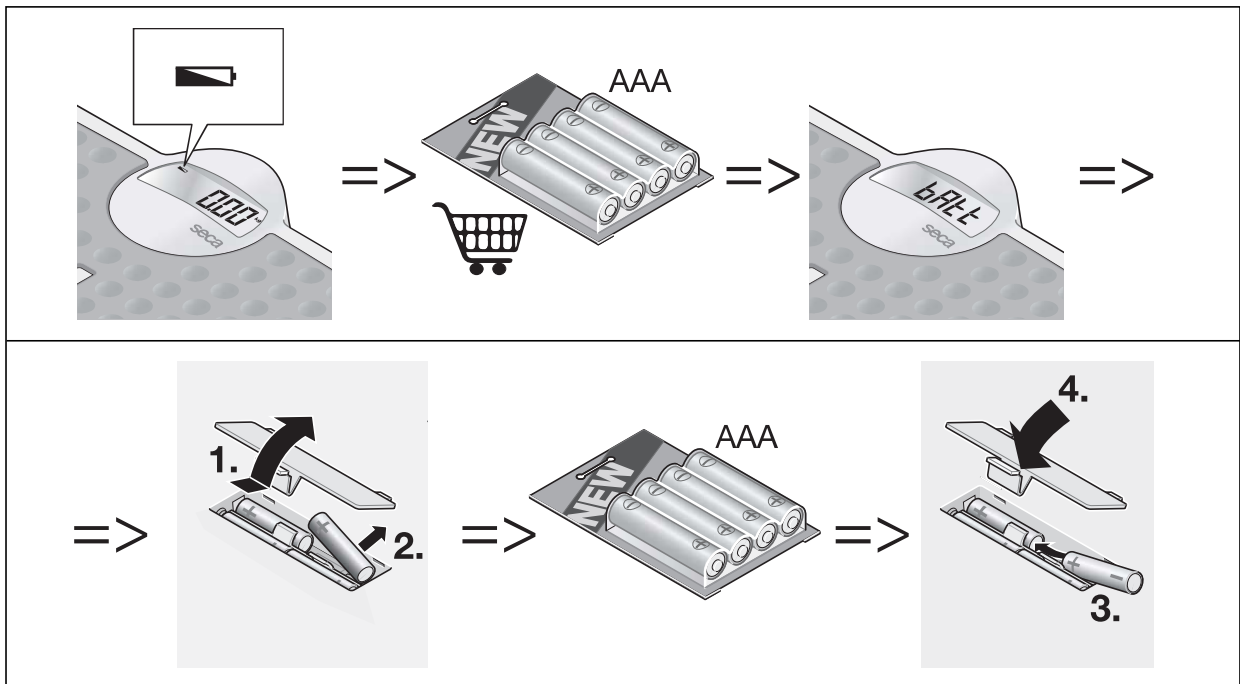
## • Weighing (without app)






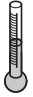
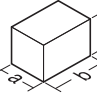
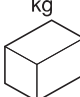
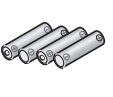
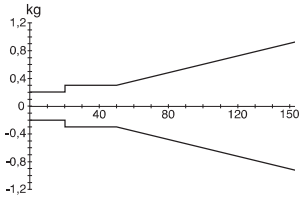
• Weighing (with app)



• Replace batteries



• **Technical data**

 kg / lb / st Max	 d				 kg	
200 kg	0.1 kg		+10 °C – +40 °C	a = 370 mm	4.4 kg	4 x AAA
440 lbs	0.2 lb			b = 430 mm		
31.05 st				c = 45 mm		

• **Warranty**

A two-year warranty from date of delivery applies to defects attributable to poor materials or workmanship. All moveable parts – batteries, cables, mains units, rechargeable batteries etc. – are excluded. Defects which come under warranty will be made good for the customer at no charge on production of the receipt. No further claims can be entertained. The costs of transport in both directions will be borne by the customer should the equipment be located anywhere other than the customer's premises. In the event of transport damage, claims under warranty can be honored only if the complete original packaging was used for any transport and the scale secured and attached in that packaging just as it was when originally packed. All the packaging should therefore be retained.

A claim under warranty will not be honored if the equipment is opened by persons not expressly authorized by seca to do so. We would ask our customers abroad to contact their local sales agent in the event of a warranty matter.

• **Declaration of conformity for Europe**



seca gmbh & co. kg hereby declares that the product meets the terms of the applicable European directives. The unabridged declaration of conformity can be found at: [www.seca.com](http://www.seca.com).

• **Declaration of conformity for USA and Canada**

**FCC Warning Statement**

Changes or modifications not expressly approved by the party responsible for compliance could void the user's authority to operate the equipment.

**FCC Interference Statement**

This equipment has been tested and found to comply with the limits for a Class B digital device, pursuant to Part 15 of the FCC Rules. These limits are designed to provide reasonable protection against harmful interference in a residential installation. This equipment generates uses and can radiate radio frequency energy and, if not installed and used in accordance with the instructions, may cause harmful interference to radio communications. However, there is no guarantee that interference will not occur in a particular installation. If this equipment does cause harmful interference to radio or television reception, which can be determined by turning the equipment off and on, the user is encouraged to try to correct the interference by one of the following measures:

- Reorient or relocate the receiving antenna.
- Increase the separation between the equipment and receiver.
- Connect the equipment into an outlet on a circuit different from that to which the receiver is connected.
- Consult the dealer or an experienced radio/TV technician for help.

### Canada ISED Regulatory Compliance Statement

This device contains licence-exempt transmitter(s) that comply with Innovation, Science and Economic Development Canada's licence-exempt RSS(s).

Operation is subject to the following two conditions:

This device may not cause interference.

This device must accept any interference, including interference that may cause undesired operation of the device.

L'émetteur exempt de licence contenu dans le présent appareil est conforme aux CNR d'Innovation, Sciences et Développement économique Canada applicables aux appareils radio exempts de licence.

L'exploitation est autorisée aux deux conditions suivantes :

L'appareil ne doit pas produire de brouillage;

L'appareil doit accepter tout brouillage radioélectrique subi, même si le brouillage est susceptible d'en compromettre le fonctionnement.

This equipment complies with IC RSS-102 radiation exposure limits set forth for an uncontrolled environment. This transmitter must not be co-located or operating in conjunction with any other antenna or transmitter.

Cet équipement est conforme aux limites d'exposition aux radiations IC CNR-102 établies pour un environnement non contrôlé. Cet émetteur ne doit pas être situé ou fonctionner conjointement avec une autre antenne ou un autre émetteur.

CAN ICES-3 (B)/NMB-3(B)

### Supplier's Declaration of Conformity 47 CFR § 2.1077 Compliance Information

**Unique Identifier:** seca robusta 8133221139

#### Responsible Party - U.S. Contact Information

seca corporation  
13601 Benson Avenue  
Chino  
Ca 91710

Phone: +1 800 542 7322; Email: info.us@seca.com

#### FCC Compliance Statement

This device complies with Part 15 of the FCC Rules. Operation is subject to the following two conditions: (1) This device may not cause harmful interference, and (2) this device must accept any interference received, including interference that may cause undesired operation.

The *Bluetooth*<sup>®</sup> word mark and logos are registered trademarks owned by the Bluetooth SIG, Inc. and any use of such marks by seca gmbh & co. kg is under license. Other trademarks and trade names are those of their respective owners.

Medical Measuring  
Systems and Scales  
since 1840

seca gmbh & co. kg  
Hammer Steindamm 3-25  
22089 Hamburg • Germany

Telephone +49 40 20 00 00 0

Fax +49 40 20 00 00 50

info@seca.com

All contact data under [www.seca.com](http://www.seca.com)

**seca**  
group

<b>seca</b> deutschland	<b>seca</b> nihon	<b>seca</b> suomi
<b>seca</b> france	<b>seca</b> mexico	<b>seca</b> américa latina
<b>seca</b> united kingdom	<b>seca</b> austria	<b>seca</b> asia pacific
<b>seca</b> north america	<b>seca</b> polska	
<b>seca</b> schweiz	<b>seca</b> middle east	
<b>seca</b> zhong guo	<b>seca</b> brasil	