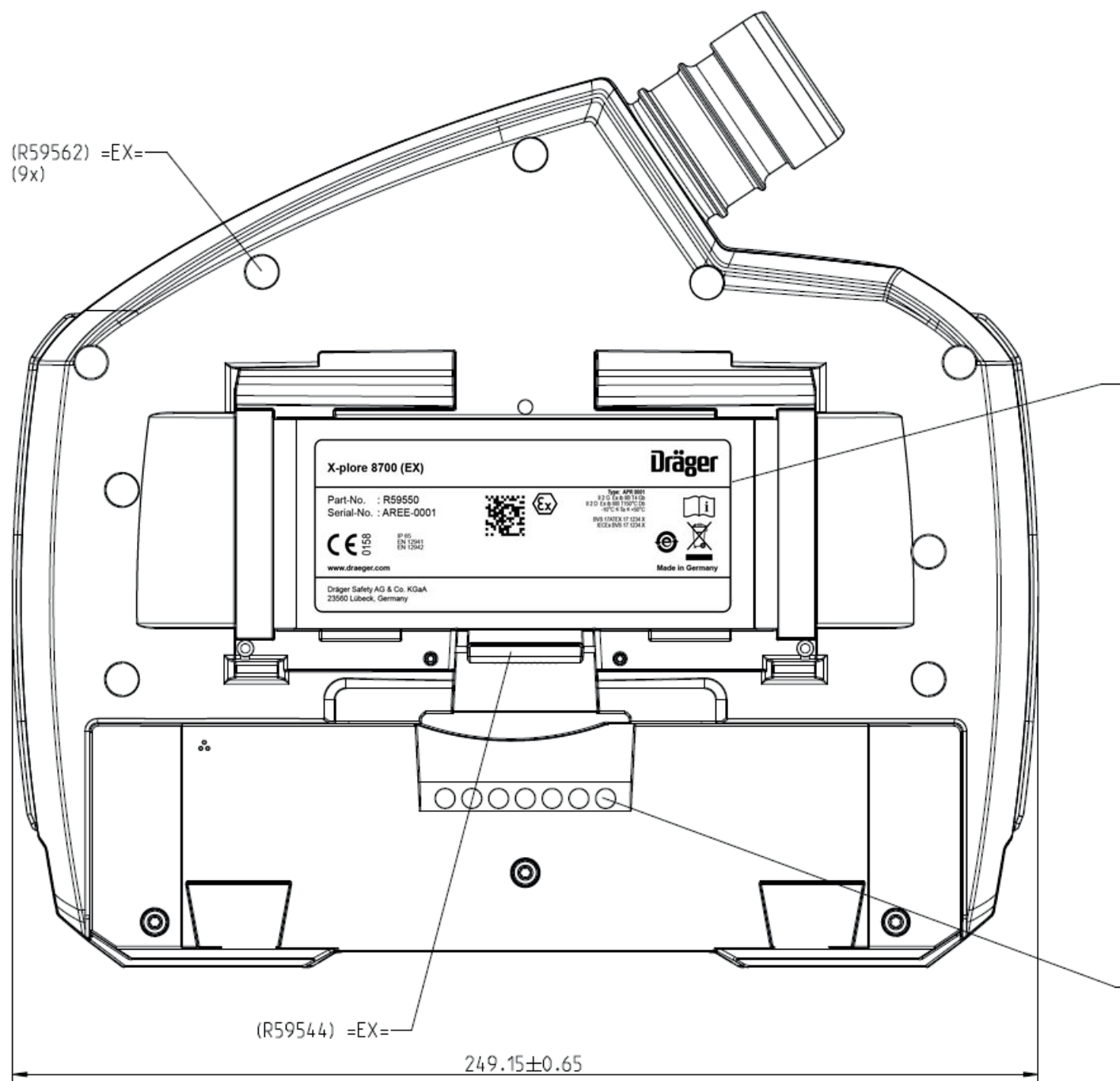


(R59562) =EX=
(9x)



(R59544) =EX=

249.15 ± 0.65